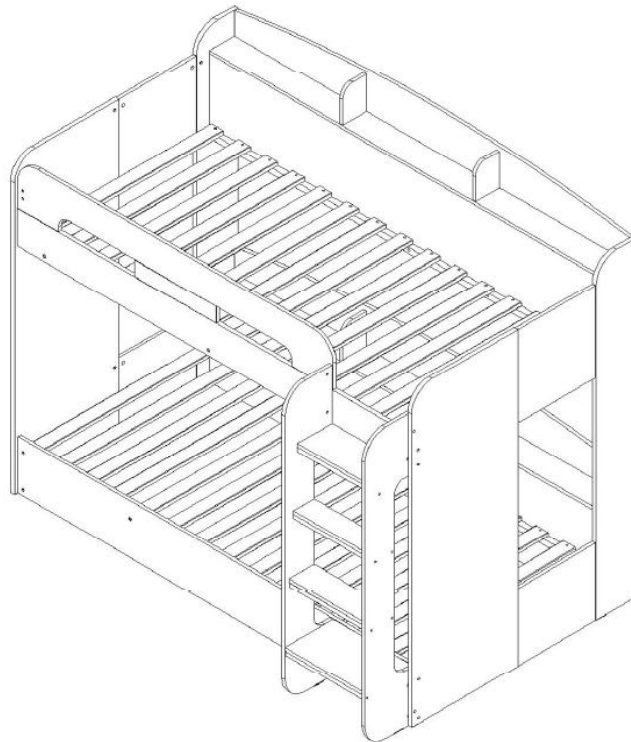
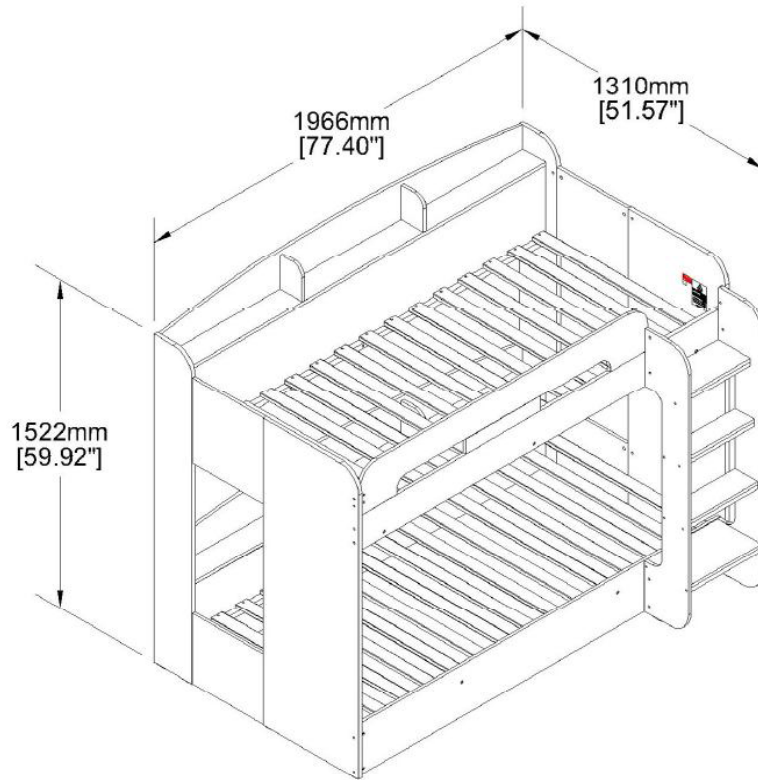


Ultimate Bunk Bed - 857/4552 & 863/9916

Product Size : 920mm x 1930mm (Base Int Size)

Thank you for purchasing this product. Before starting assembly we suggest you spend a short time reading through this leaflet, then follow the simple step by step guide. Two people are needed to assemble this product.



Important - Please read these instructions fully before starting assembly

if you need help or have damaged or missing parts, call the **Customer Helpline: 0345 640 0800**

Product Size : 920mm x 1930mm (Base Int Size)

TOP TIPS BEFORE YOU START !

IMPORTANT - READ CAREFULLY - RETAIN FOR FUTURE REFERENCE

1. Please check that all parts & hardware are present before you start the assembly of your furniture.
2. For ease and speed of assembly, we recommend that before you commence each step of the assembly, Please identify all the parts required for that step.
3. We recommend that where possible, all items are assembled near to the area in which they will be placed in use, to avoid moving the product unnecessarily once assembled.
4. For the protection of your furniture, particularly items of high gloss finish, we recommend that the product is placed on a Protected surface during assembly to prevent any damage.
5. During assembly please take care not to over-tighten any fittings, as this may damage the product.

CARE AND MAINTENANCE OF YOUR FURNITURE

- Please periodically check all fittings and re-tighten as necessary.
- To clean your item, please use a damp cloth and wipe clean.
- Never allow any kind of liquid to remain on your furniture. Absorption can cause wood to warp or finishes to de-laminate.
- Please do not place hot items (e.g hot drinks) directly on the wood surface.
- Please do not drag or pull your furniture.

IMPORTANT INFORMATION

1. Thickness of mattress should not exceed 156mm.
2. Children should be discouraged from playing on top of this bunk bed.
3. The bunk bed should be checked periodically by the owner to ensure that the guardrail, ladder, and other components are maintained in the correct position and state of repair and that all connectors are tight.
4. A bunk bed is not to be placed near a ceiling fan unless the distance between the closest points on the ceiling fan bunk Bed is at least 2 metres.
5. Use guardrails on both sides of upper bunk.
6. Prohibit horseplay on or under bed(s).
7. Prohibit more than one person on upper bunk.
8. Use Ladder for entering and leaving upper bunk.
9. If the bunk bed will be placed next to the wall, the guardrail that runs the full length of the bed should be placed against The wall to prevent entrapment between the bed and the wall.
10. **WARNING** Do not use the bunk bed/high bed if any structural part is broken or missing.
11. Ventilation of the room is necessary in order to keep the humidity low and to prevent mould in and around the bed.
12. **WARNING** "high beds & the upper bed of bunk beds are not suitable for children under six years due to risk of injury from falls";
13. **WARNING** "children can become trapped between the bed & the wall, a roof pitch, the ceiling, adjoining pieces of furniture (e.g.cupboard) and the like. To avoid risk of serious injury the distance between the top safety barrier and the adjoining structure shall not exceed 75mm nor shall be more than 230mm"
14. always follow the manufacturer's instruction;
15. Recommended Mattress Size : 90cm x 190cm (UK Single) with Maximum Depth of 15.6cm
16. This item conforms to European Safety Standards - BS EN 747-1 : 2012 + A1 : 2015 & BS EN 747-2 : 2012 + A1 : 2015
17. **WARNING** "Bunk beds and high beds can present a serious risk of injury from strangulation if not used correctly. Never attach or hang items to any part of the bunk bed that are not designed to be used with the bed, for example, but not limited to ropes, strings, cords, hooks, belts and bags"
18. High beds and the upper bed of bunk beds is suitable for a maximum mattress thickness of 156mm. The top of mattress must not come above the line marked on the bed.

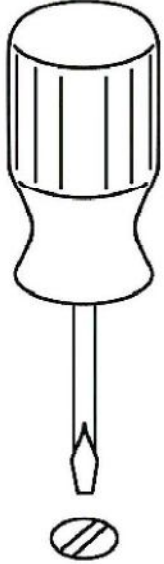
STRANGULATION HAZARD:

19. Never attach or hang items to any part of the bunk bed that are not designed for use with the bed for example, but not limited to hook, belt and jump ropes.

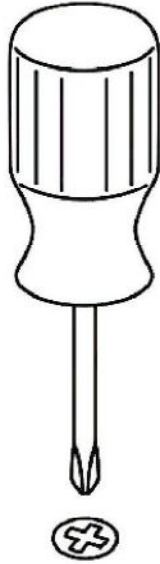
Guide To Assembly

Tools Required For Assembly

FlatHead
Screwdriver



Phillips Screwdriver



DO NOT USE POWER TOOLS TO ASSEMBLE THIS PRODUCT. USE OF POWER TOOLS WILL INVALIDATE ANY CLAIM AND MAY DAMAGE THIS PRODUCT MAKING IT UNSAFE.

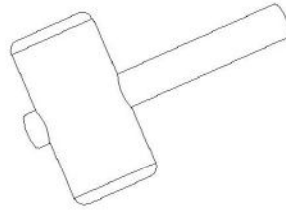


Approximately 4 hours

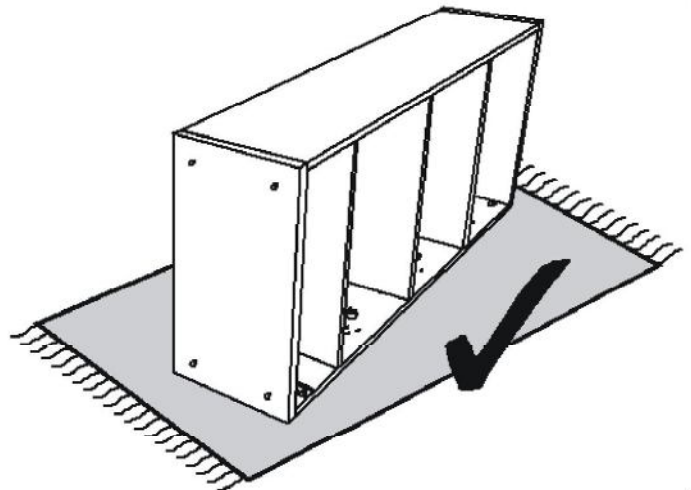
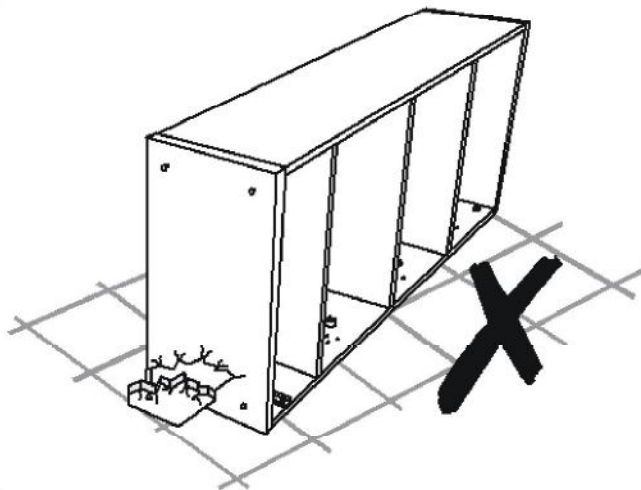
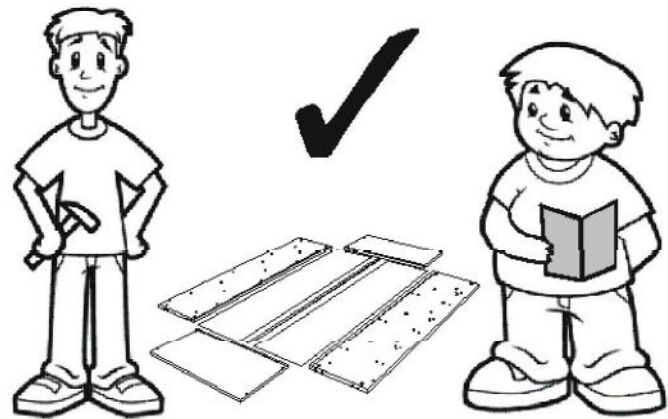
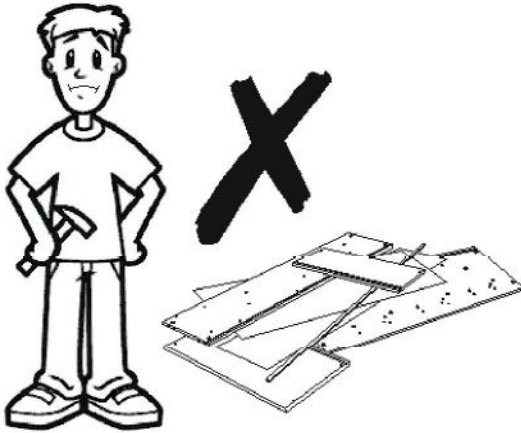
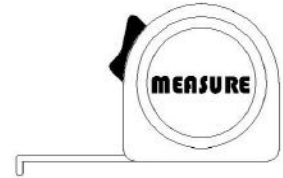


2 People Required

Rubber Hammer



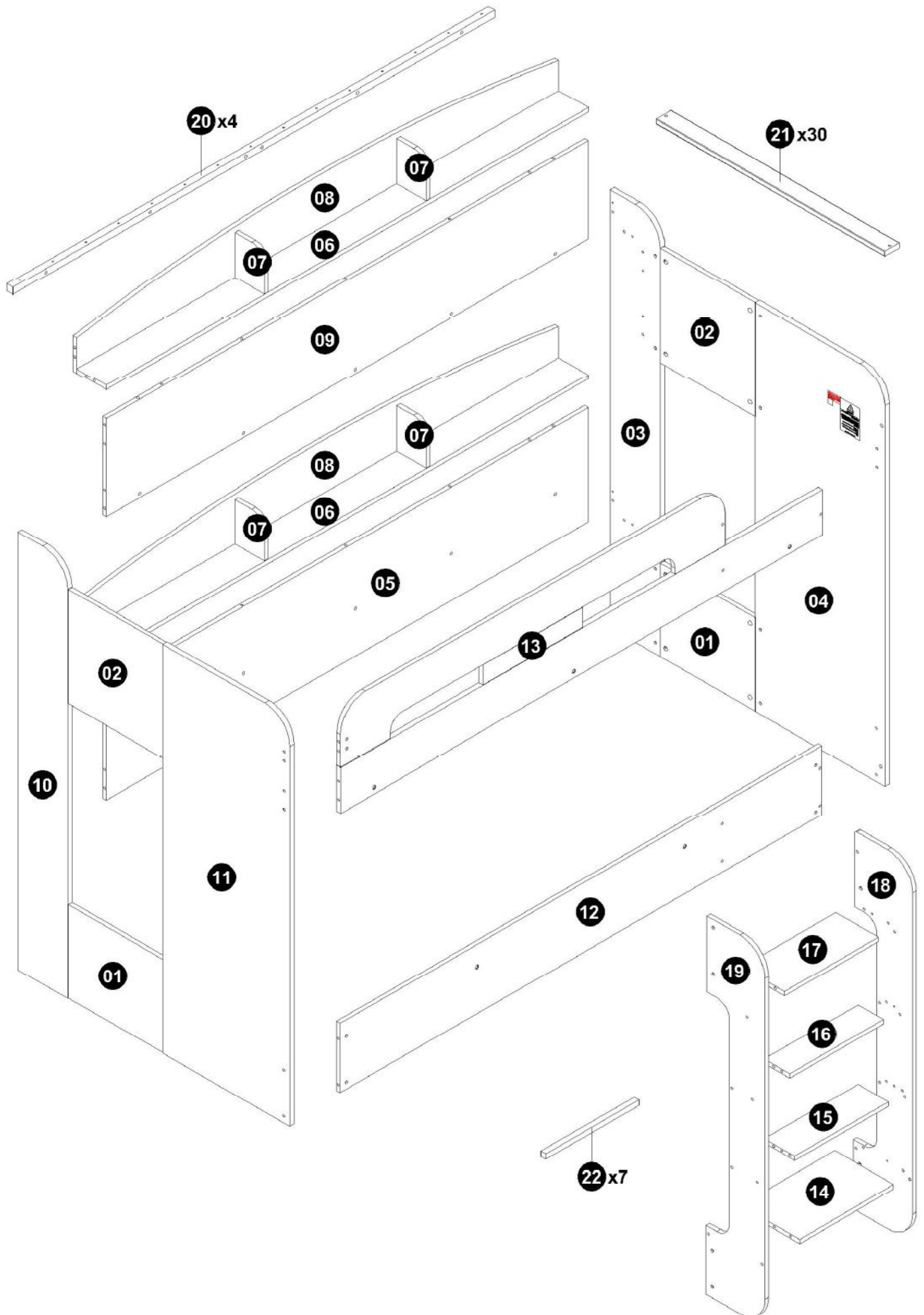
Measure



Part List
















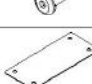



Carton 1 of 3			Carton 3 of 3		
No.	Part Name	Pcs	No.	Part Name	Pcs
01	Plinth Panel (Shelf)	2	05	Back Side Panel (Bottom)	1
02	Bottom Panel (Shelf)	2	06	Bottom Panel (Shelf)	2
03	Right Side Panel (Back)	1	07	Support Panel (Shelf)	4
04	Right Side Panel (Front)	1	08	Back Panel (Shelf)	2
10	Left Side Panel (Back)	1	12	Front Side Panel (Bottom)	1
11	Left Side Panel (Front)	1	14	1st Ladder Step	1
18	Ladder Right Panel	1	15	2nd Ladder Step	1
19	Ladder Left Panel	1	16	3rd Ladder Step	1
			17	4th Ladder Step	1
Carton 2 of 3			20	Metal Side Rail	4
09	Back Side Panel (Upper)	1	22	Ladder Support Rail	7
13	Front Side Panel (Upper)	1			
21	LVL Slat	30			
Assembly Instructions + Fitting List					

Part List



Carton 2 of 3

Fitting List

No.	Part Name		Pcs
A	Cam Stud (small)		30
B	Cam		46
C	Contractfix Dowel		16
D	M8 x 25mm PVC Dowel		62
E	45mm Chipboard Screw		14
F	14mm Chipboard Screw		32
G	6/8 L Braket		8
H	M6 x 13mm Baller		20
J	M6 Round Nut		13
K	M6 x 50mm Allen Bolt		17
L	M6 x 35mm Allen Bolt		32
M	M6 x 30mm Allen Bolt		62
N	M6 x 25mm Allen Bolt		2
P	M6 x 12mm Allen Bolt		12
Q	M6 JCN Nut		13
R	Metal Plate (MG 006)		3
S	Sticker		37+3
T	Felt Pads (45 x 14mm)		10
U	M6 Allen Wrench		2

Caution

There are many small components used in the construction of this unit. These loose items should be kept away from young children whilst assembling your unit. As an extra precaution, screw cover caps should be permanently fixed in position. (Where applicable)

USEFUL HINTS & TIPS

Two people will be required to assemble this unit

Please keep this assembly instruction for future reference

Guide To Assembly

1



A x 6



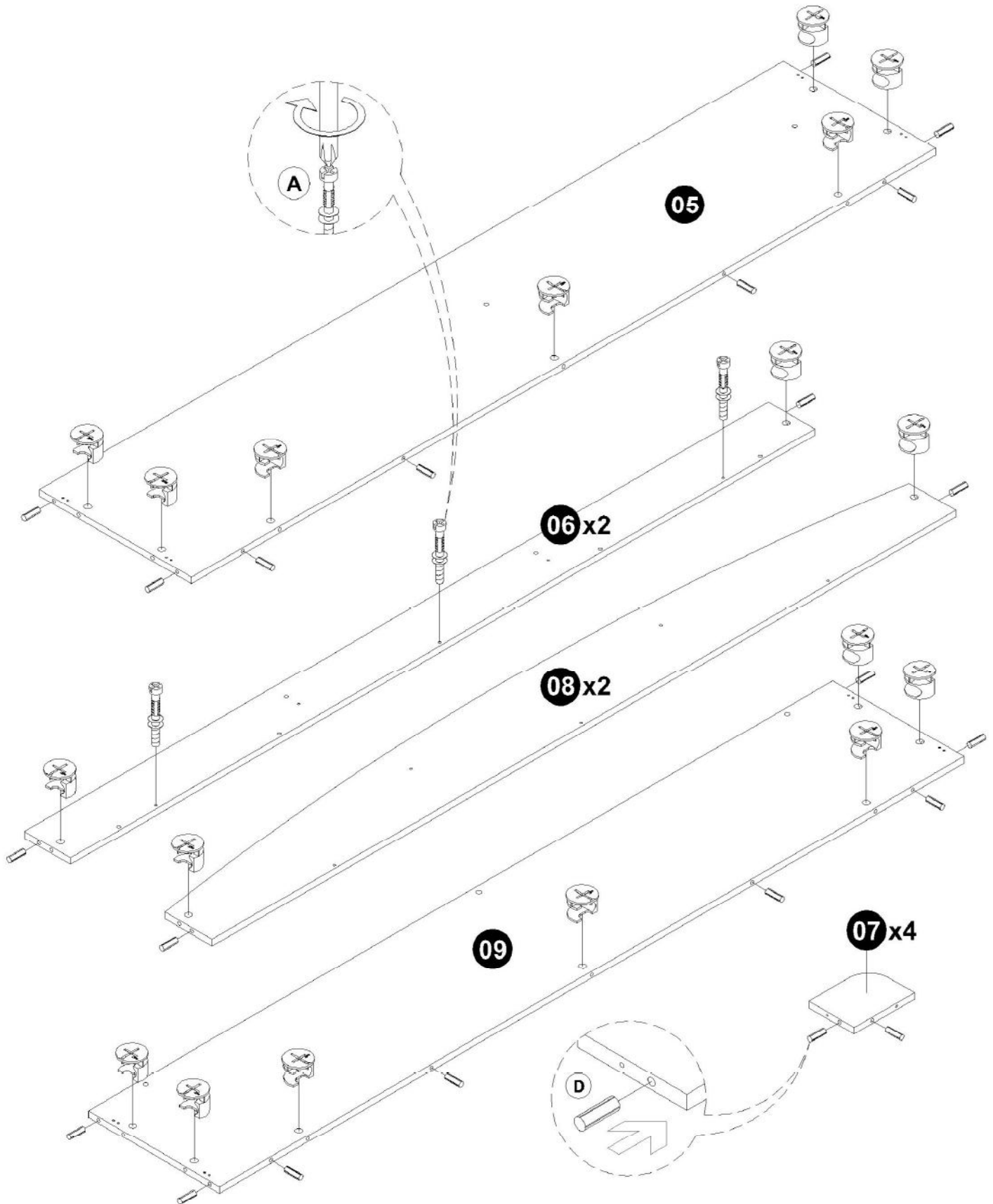
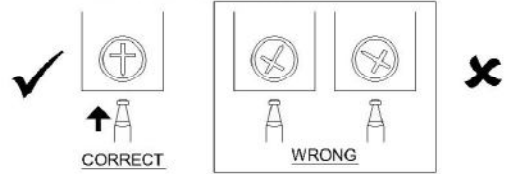
B x 22



D x 32

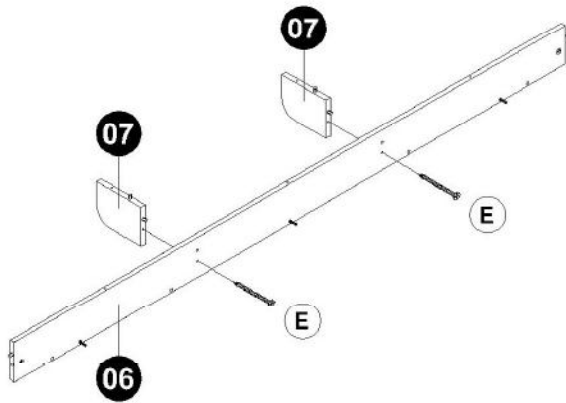
WHEN FITTING CAMS

ENSURE STARTING POSITION IS CORRECT
BEFORE YOU INSERT CONNECTING BOLT
TURN CLOCKWISE UNTIL SECURE



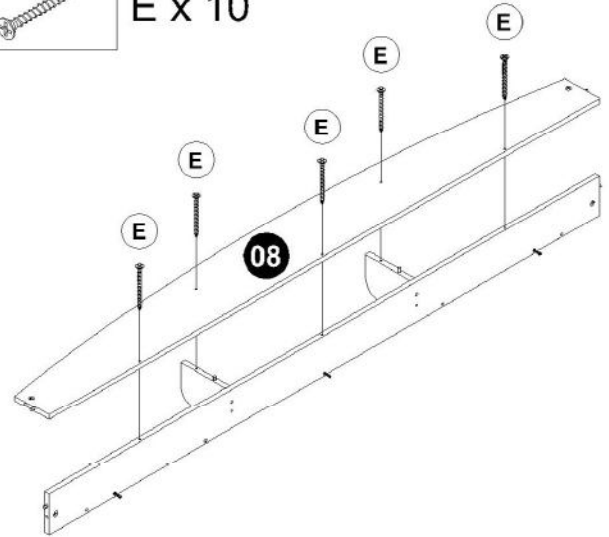
Guide To Assembly

2  E x 4



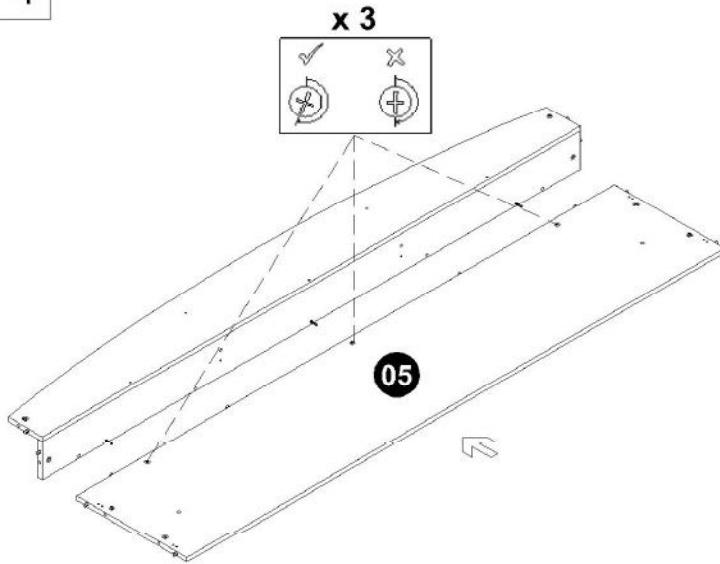
Do This Step 2 Times

3  E x 10

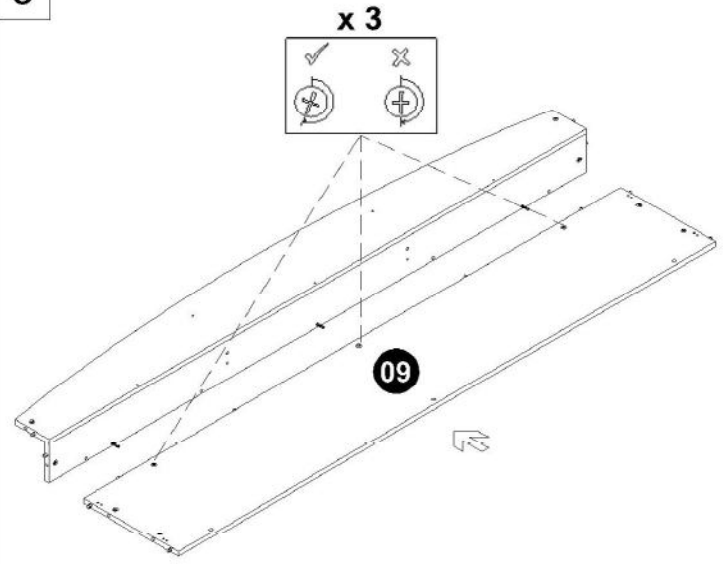




Do This Step 2 Times

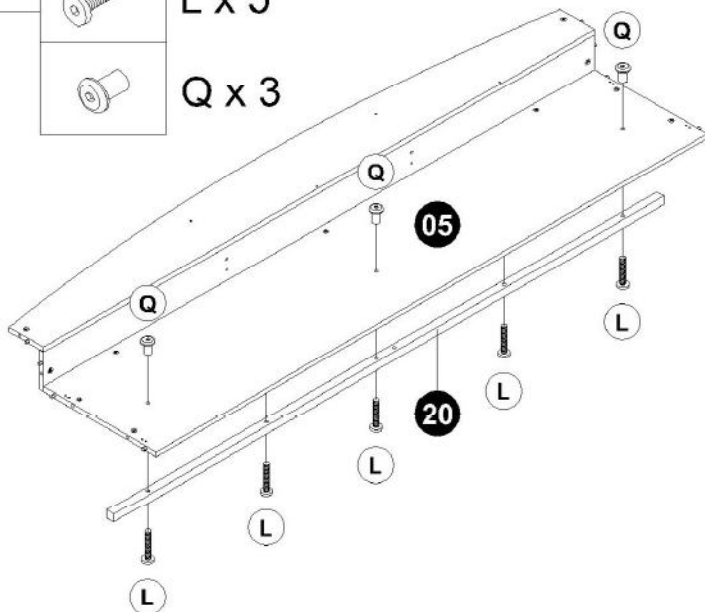
4





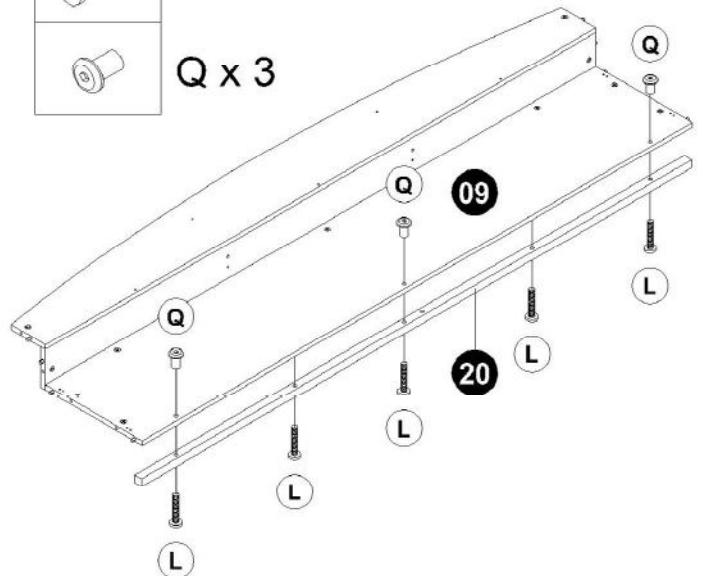
5



6  L x 5
 Q x 3



7  L x 5
 Q x 3



Guide To Assembly

8



A x 16



D x 16



B x 16



H x 8



C x 8

WHEN FITTING CAMS

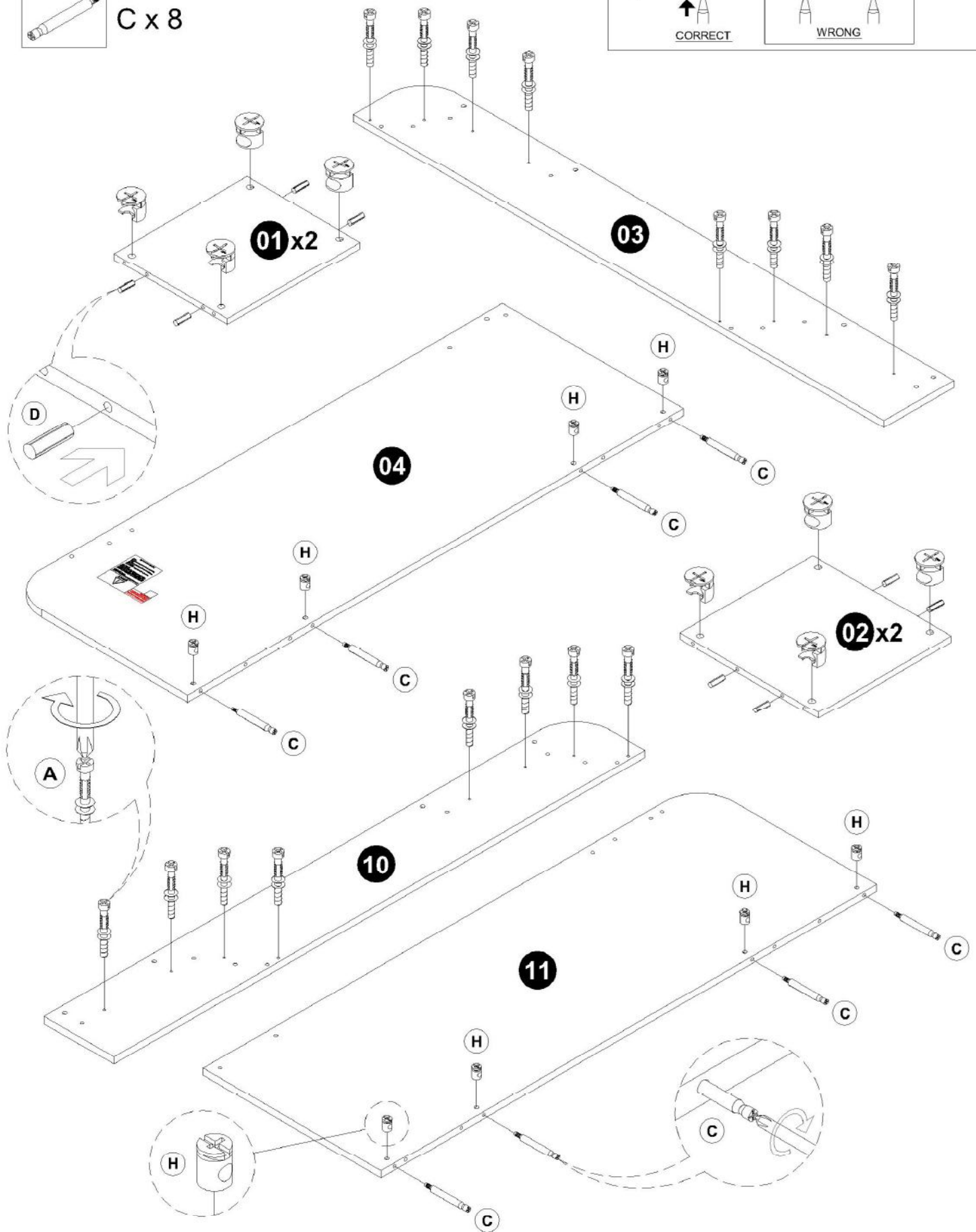
ENSURE STARTING POSITION IS CORRECT
BEFORE YOU INSERT CONNECTING BOLT
TURN CLOCKWISE UNTIL SECURE



↑
CORRECT



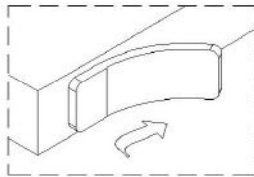
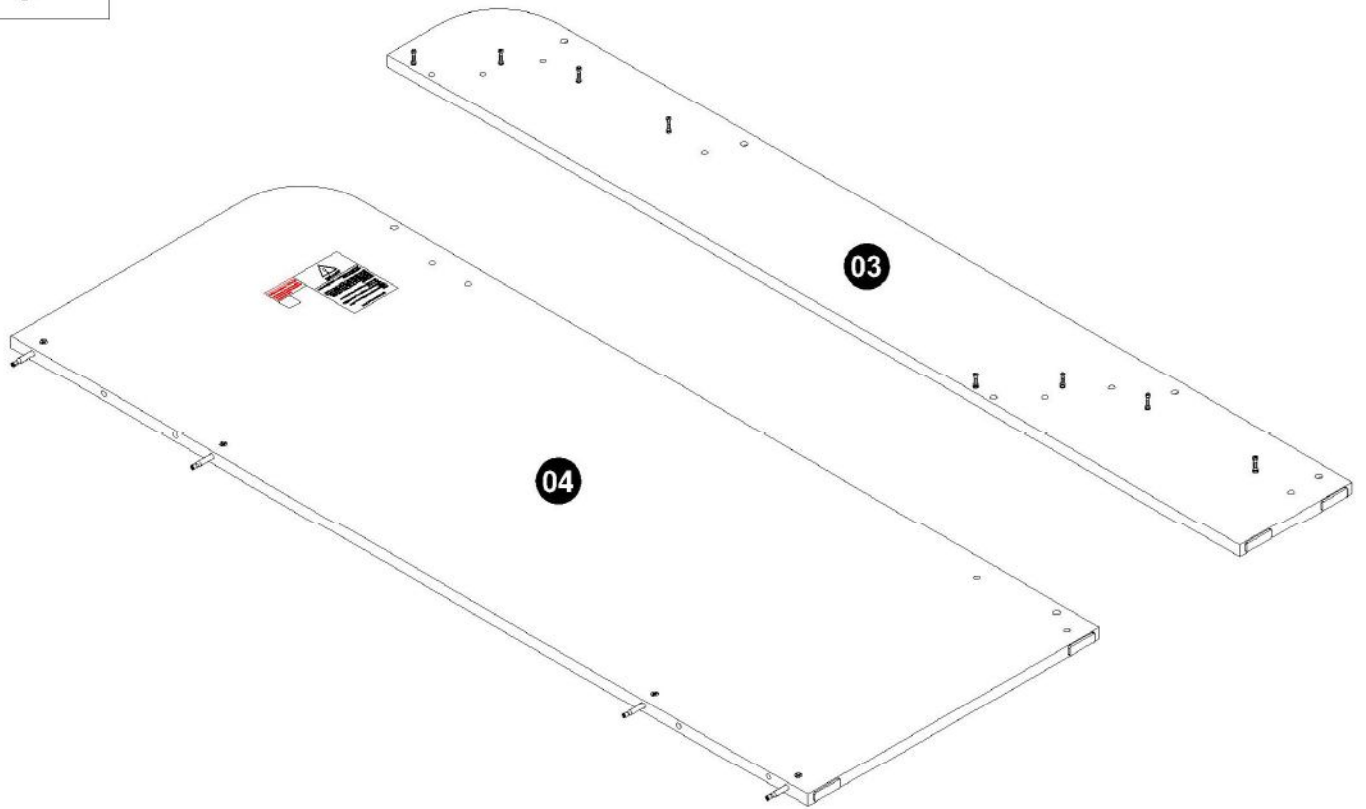
WRONG



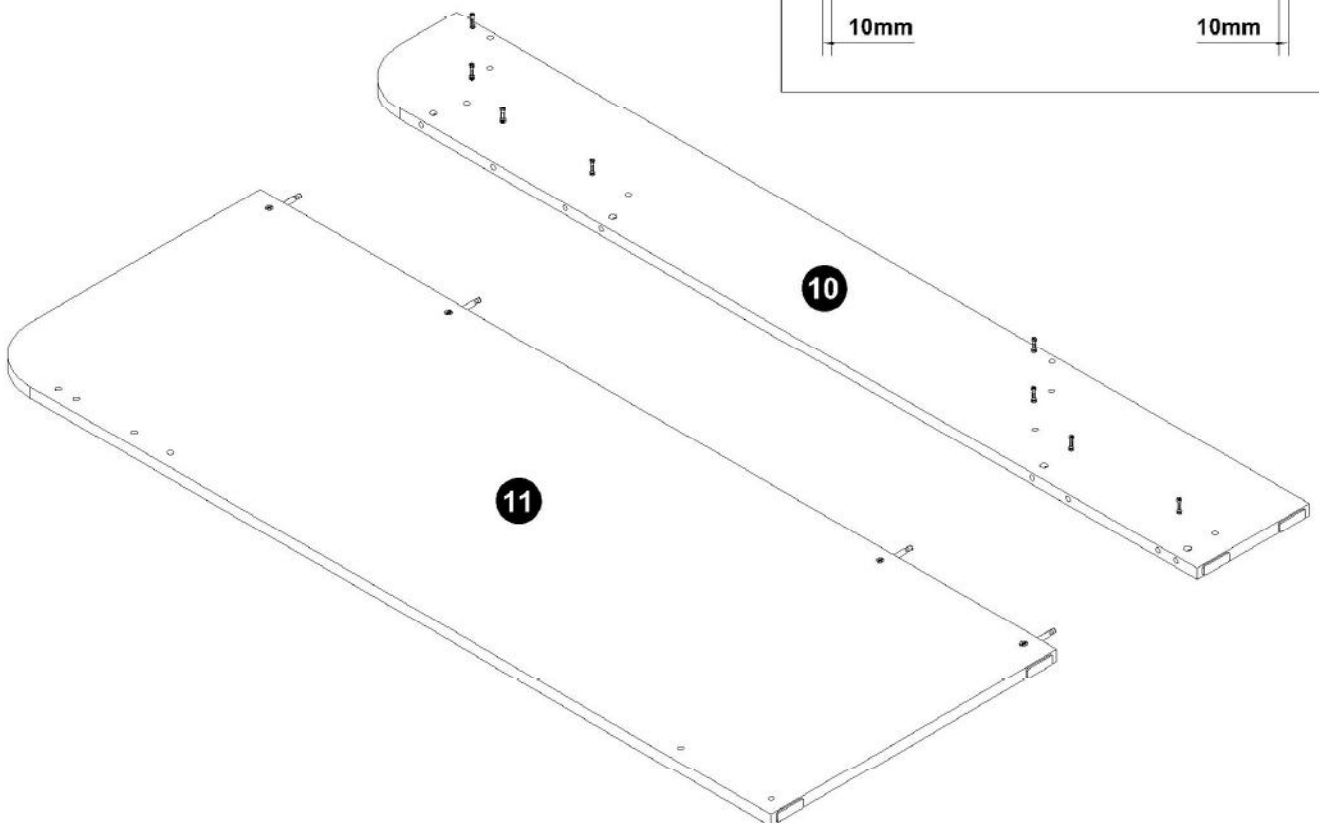
9



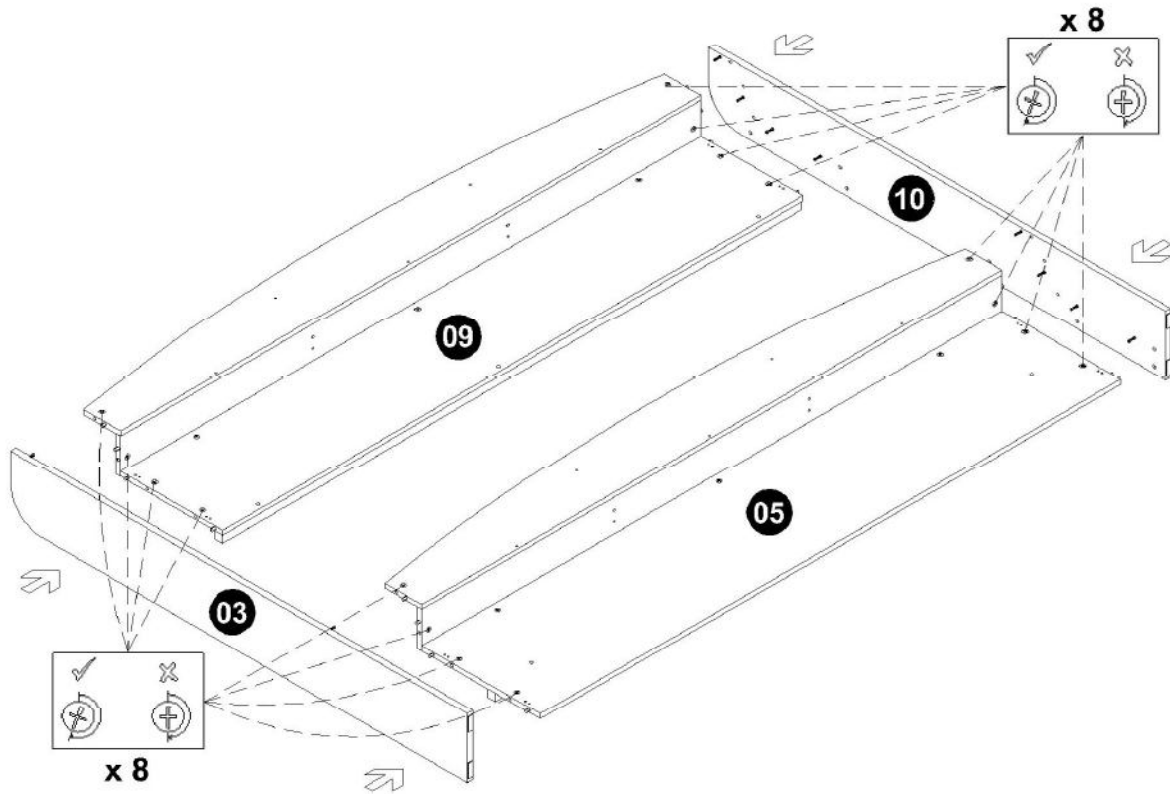
T x 8



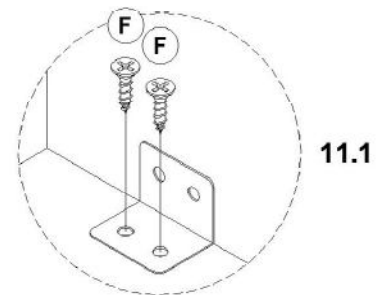
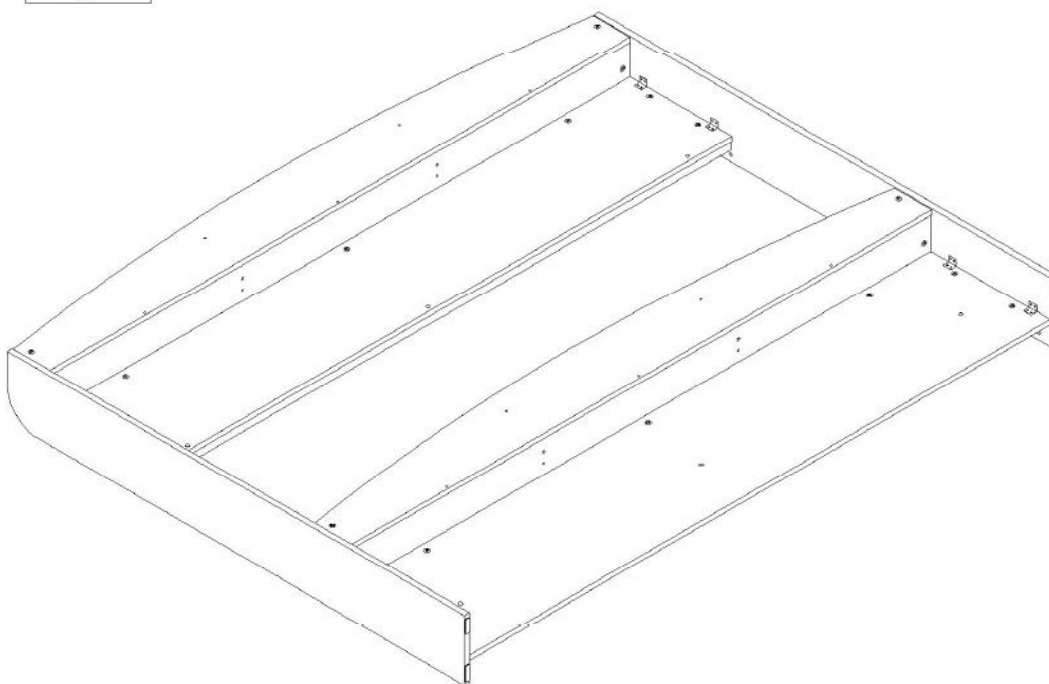
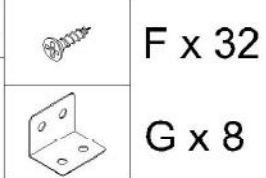
Part 03, 04, 10, 11



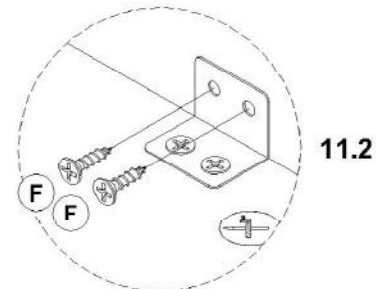
10



11

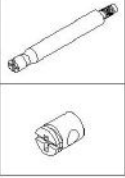


USE PRE - DRILLED HOLES IN PART 5, 9



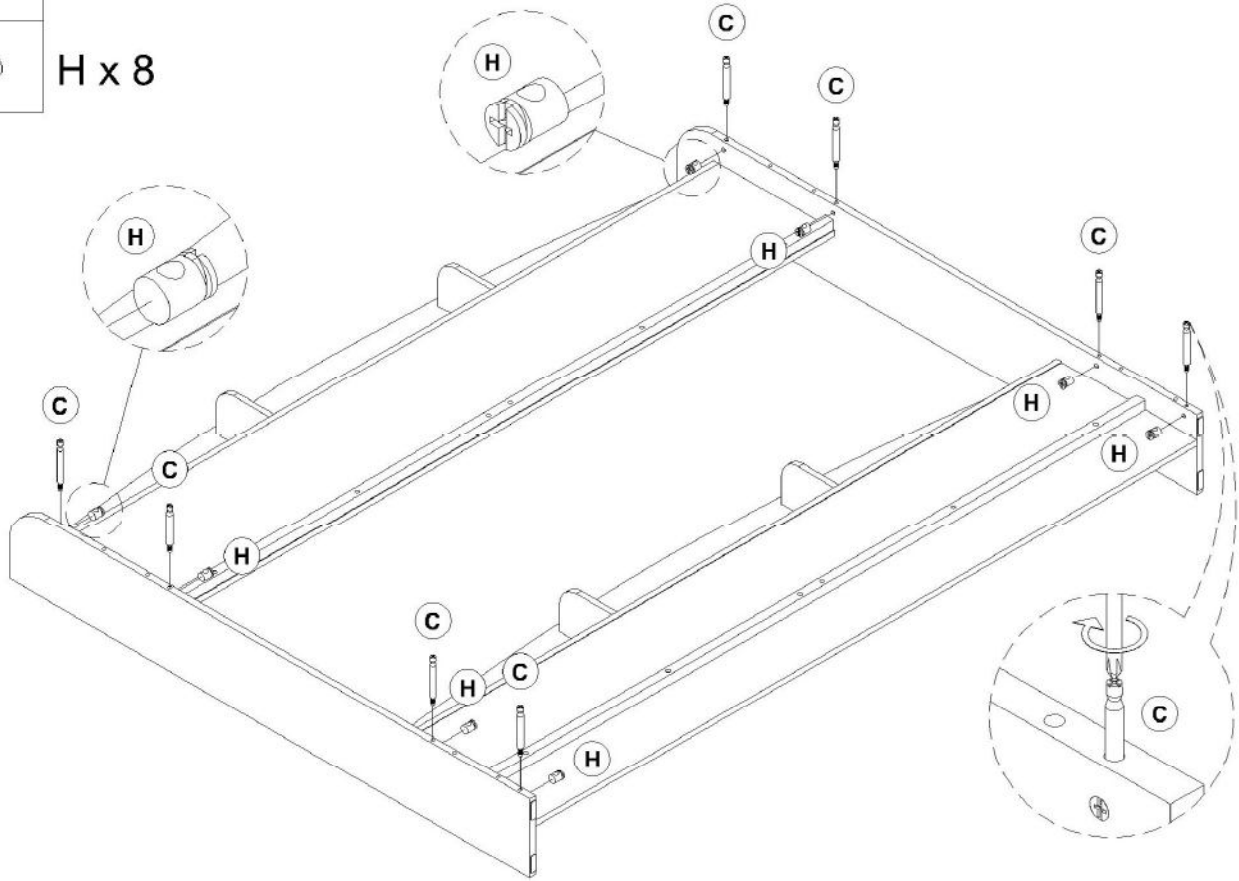
Guide To Assembly

12

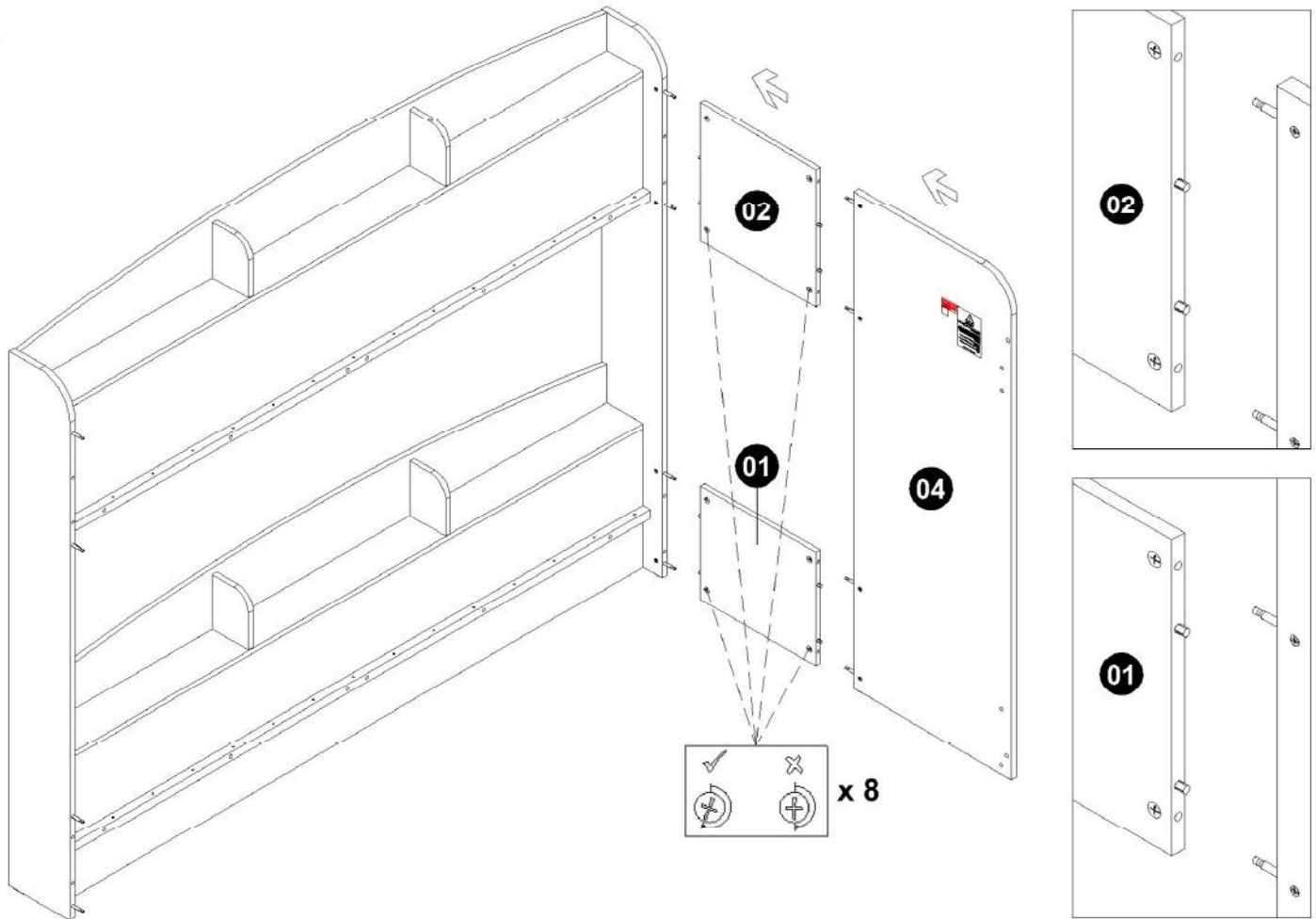


C x 8

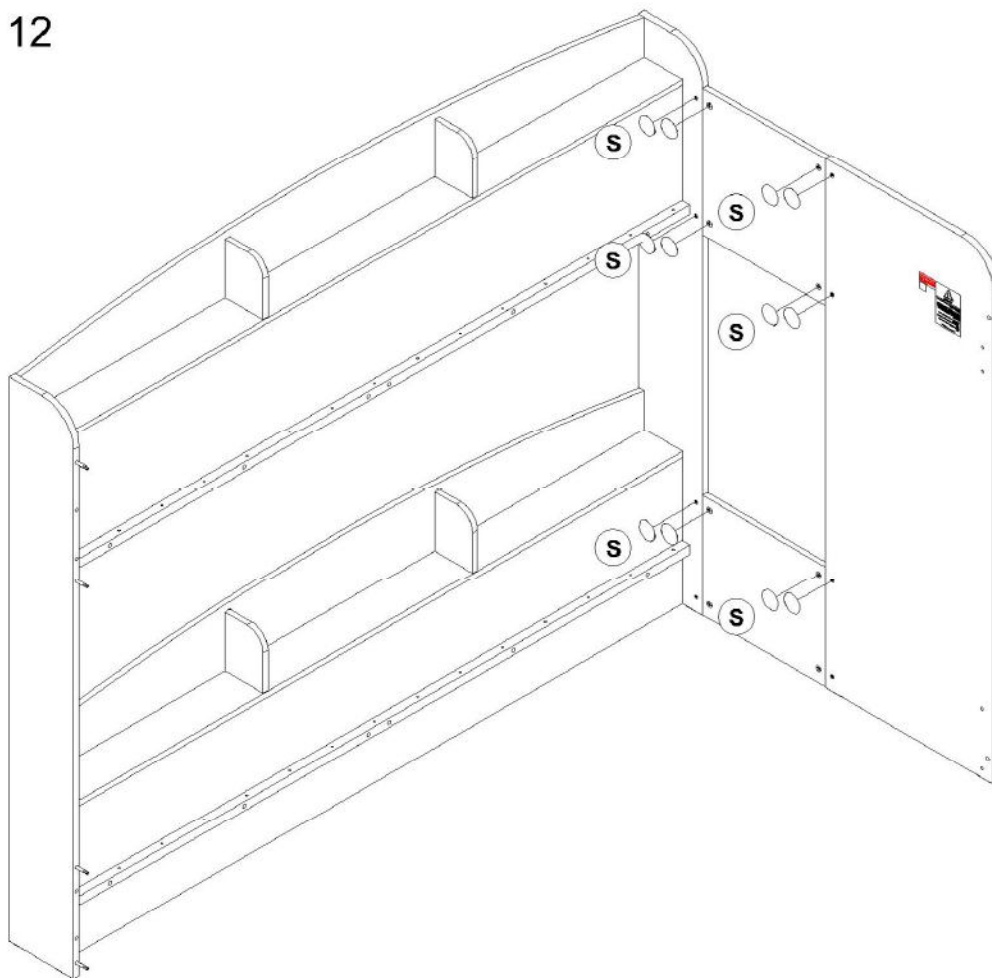
H x 8



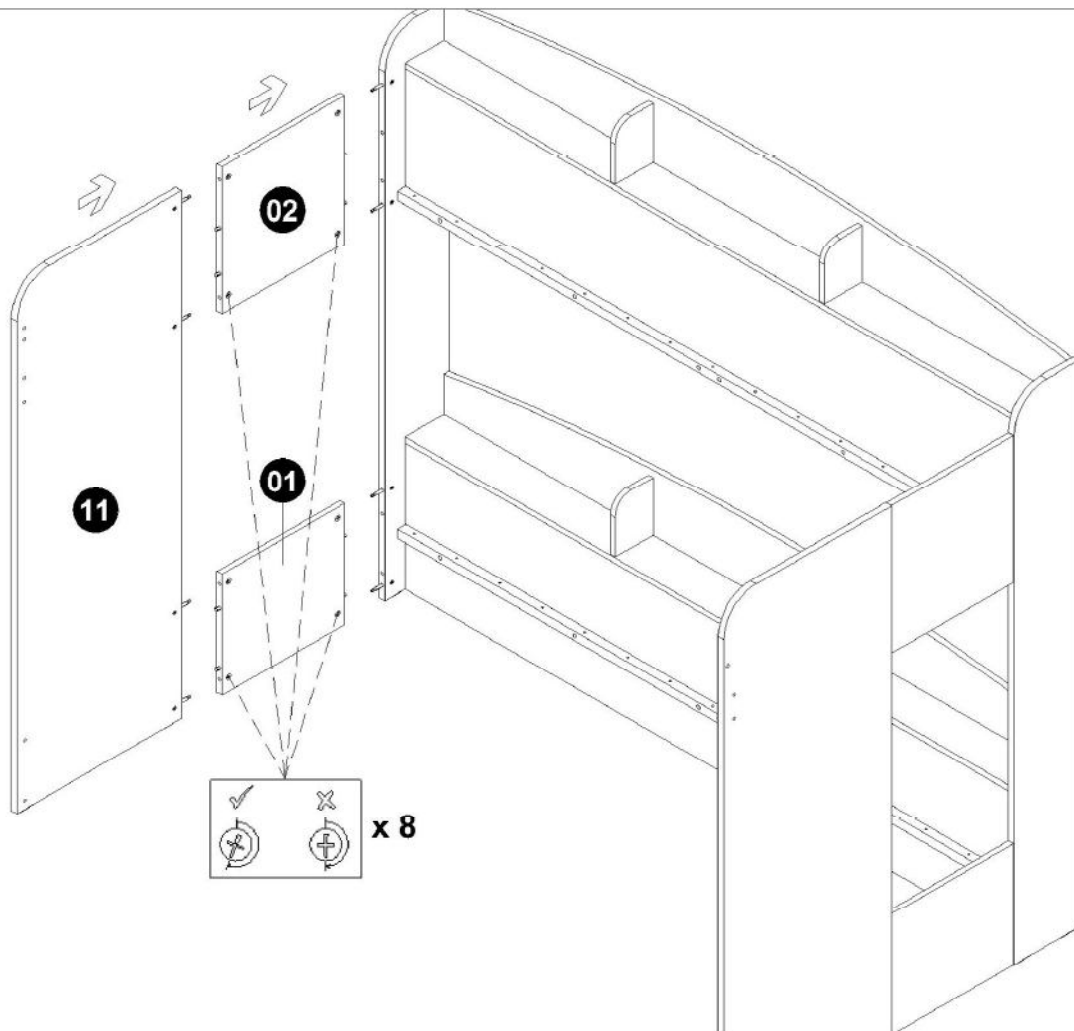
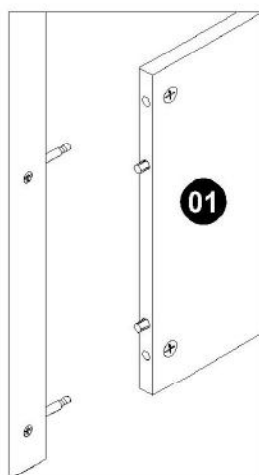
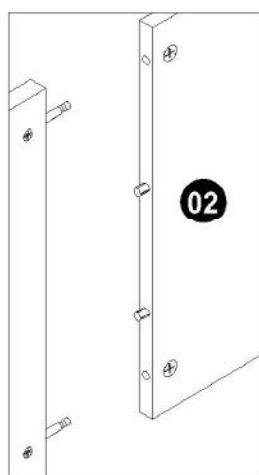
13



14  S x 12

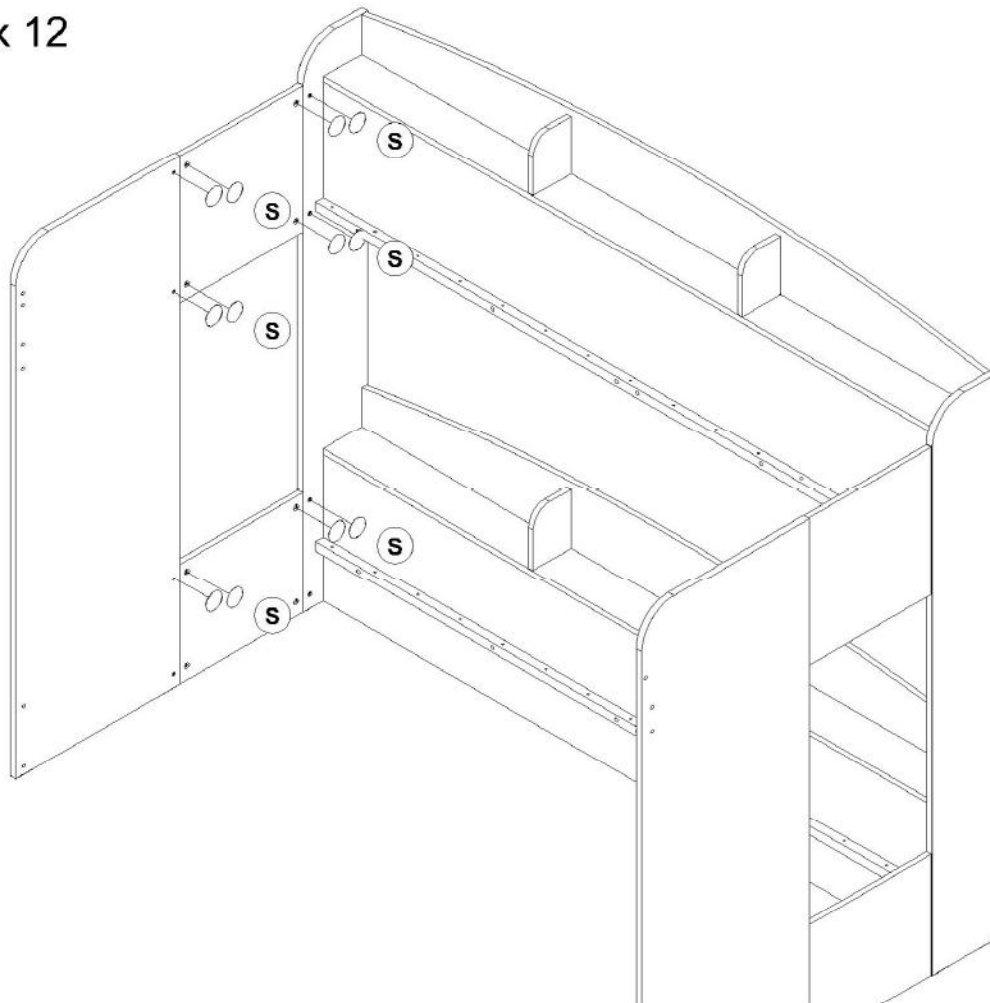





15

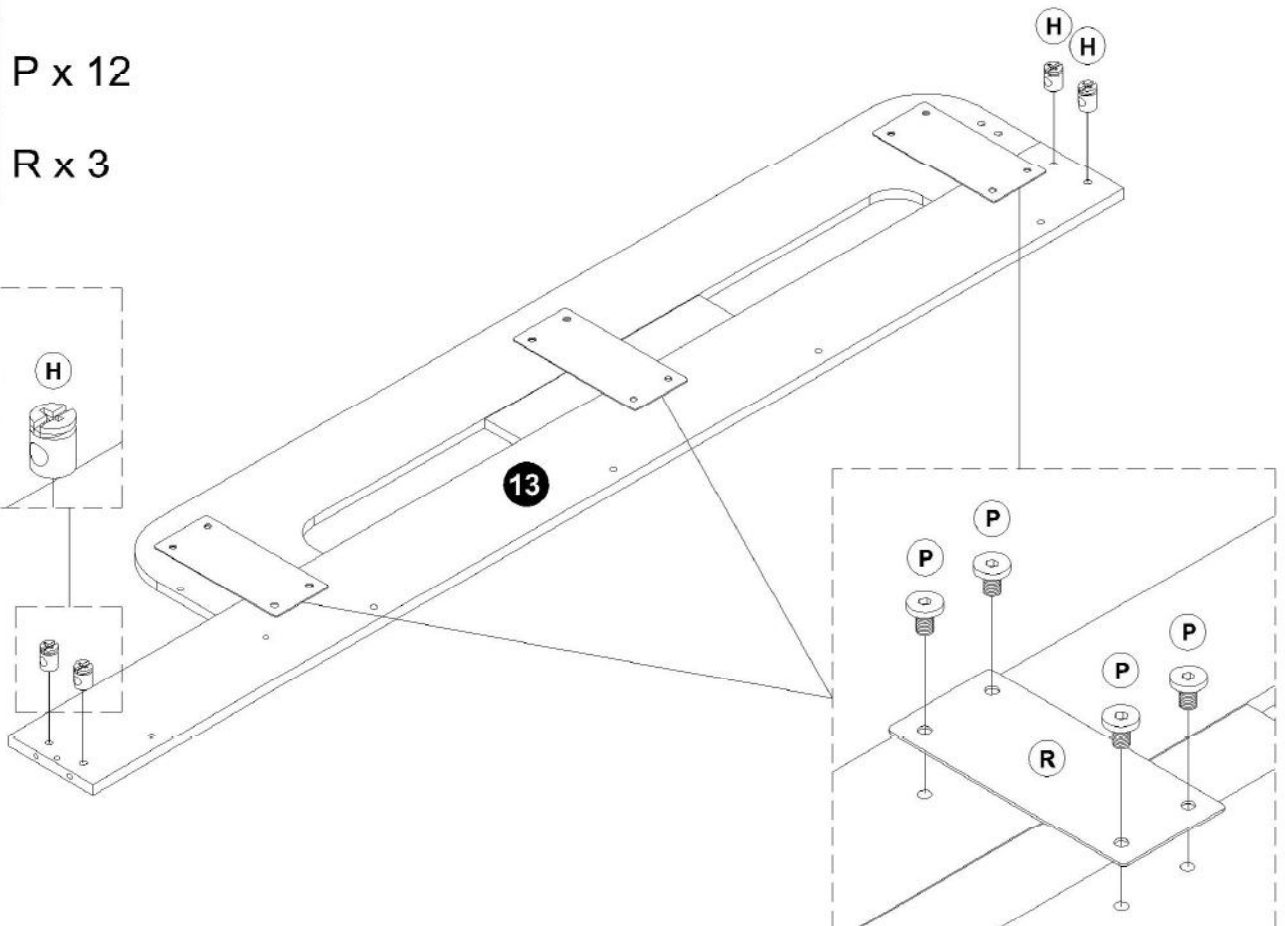
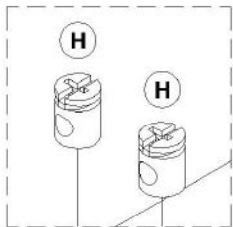


Guide To Assembly

16  S x 12

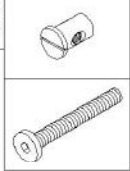


17  H x 4
 P x 12
 R x 3



Guide To Assembly

18

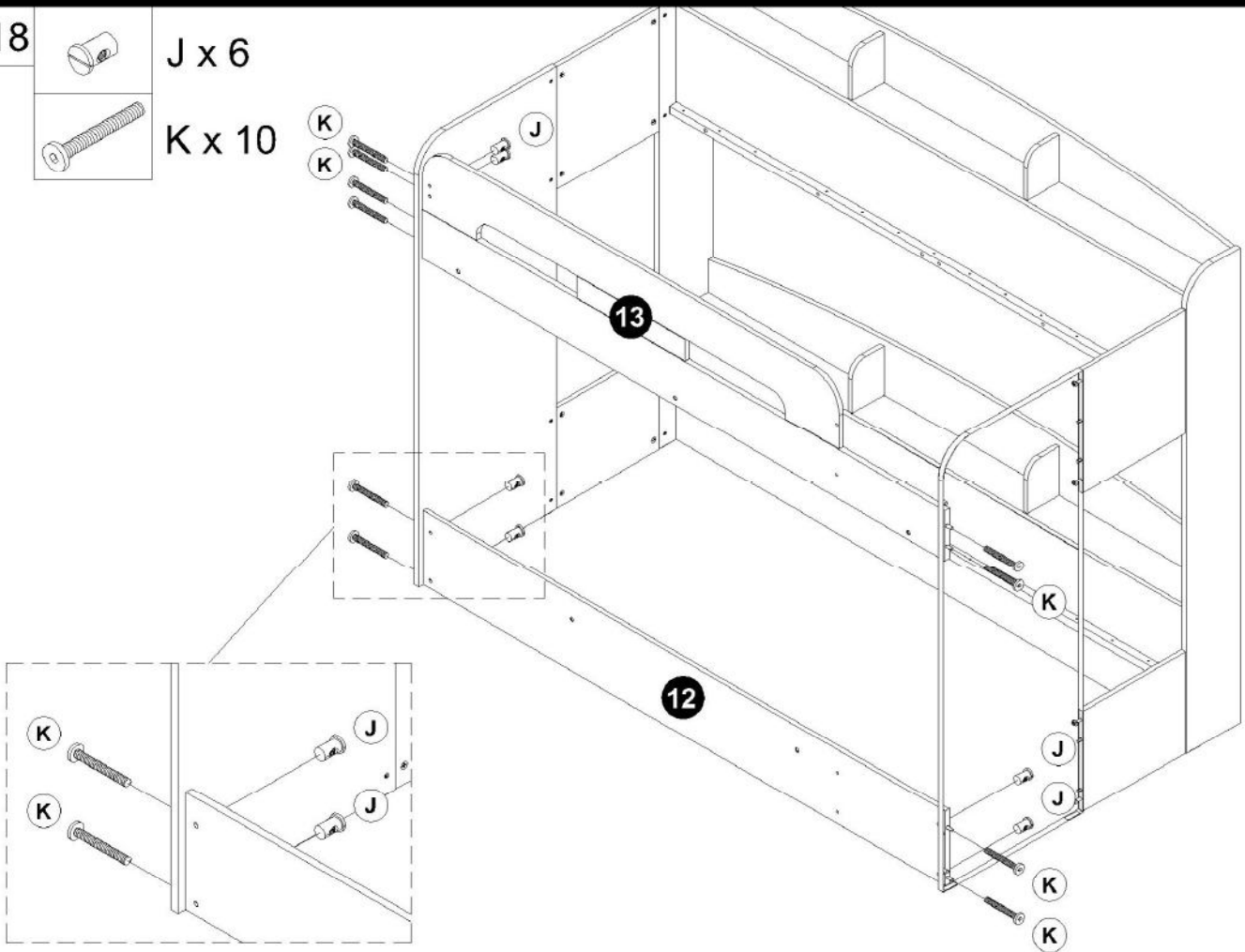


J x 6

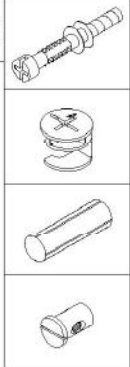
K x 10

K
K

J
J



19

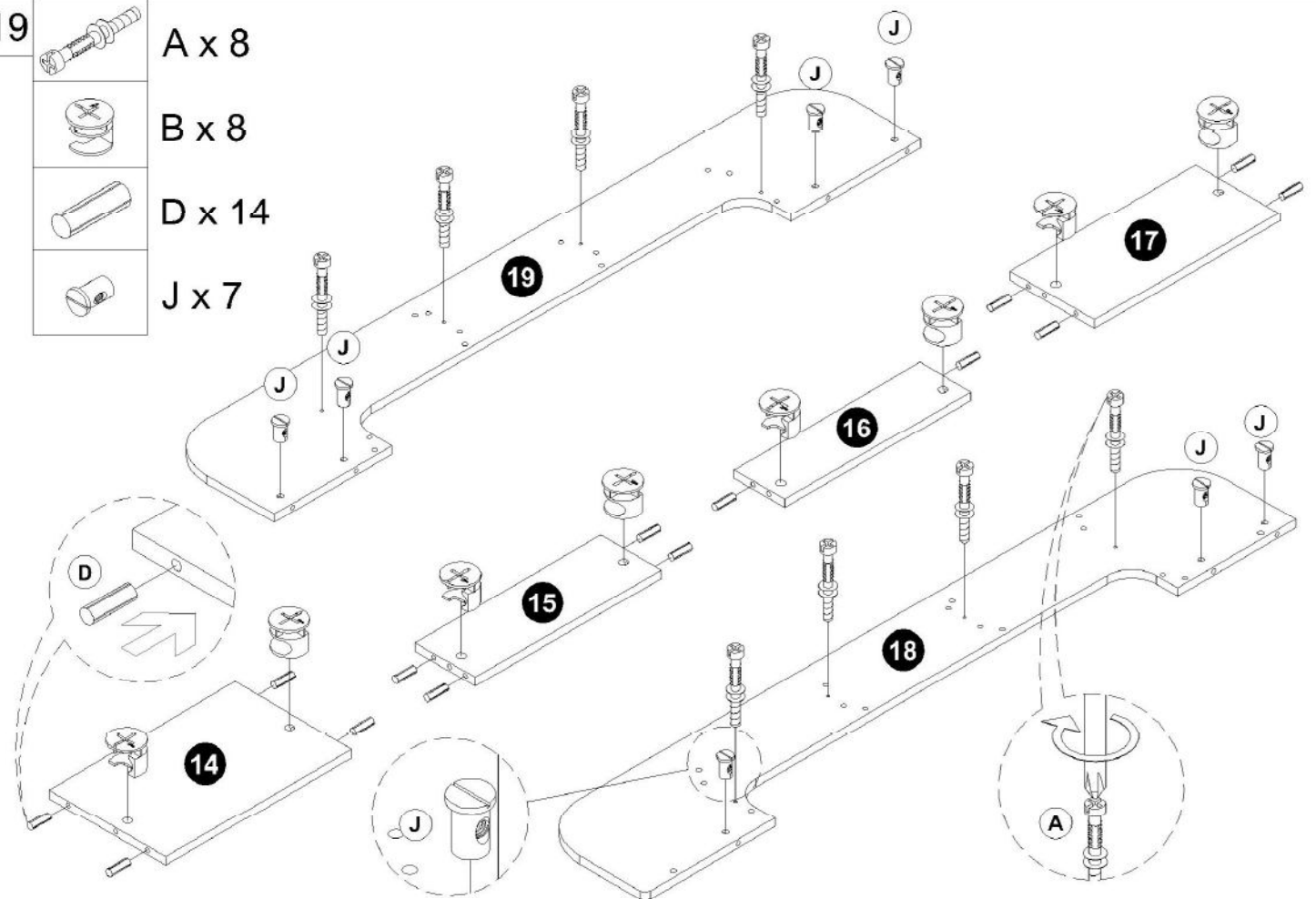


A x 8

B x 8

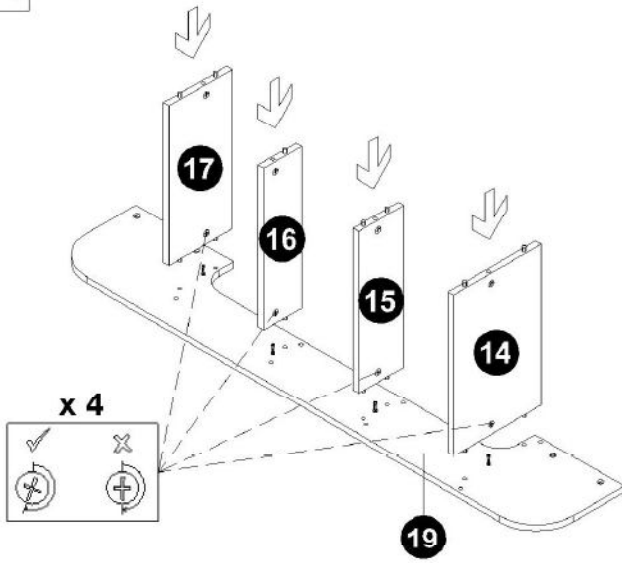
D x 14

J x 7

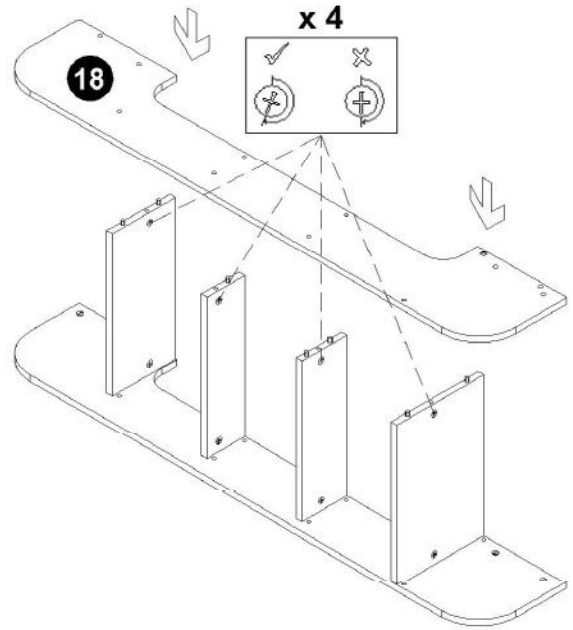


Guide To Assembly

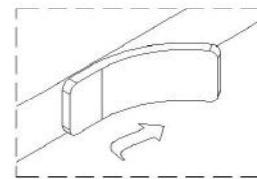
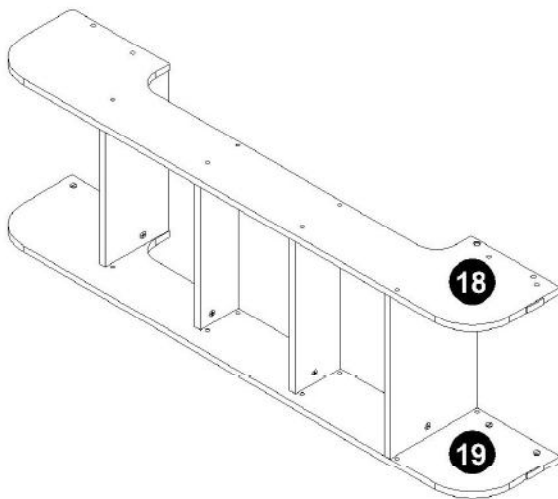
20



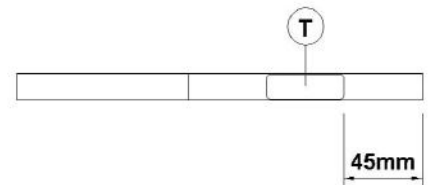
21



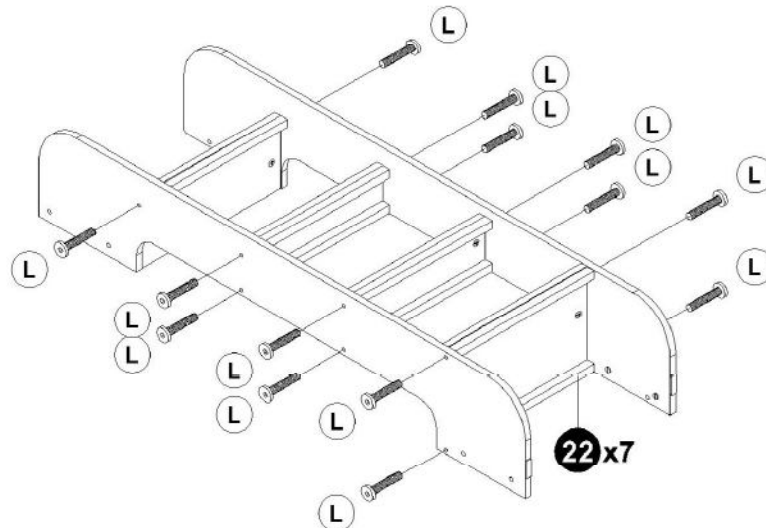
22



Part 18, 19



23



Guide To Assembly

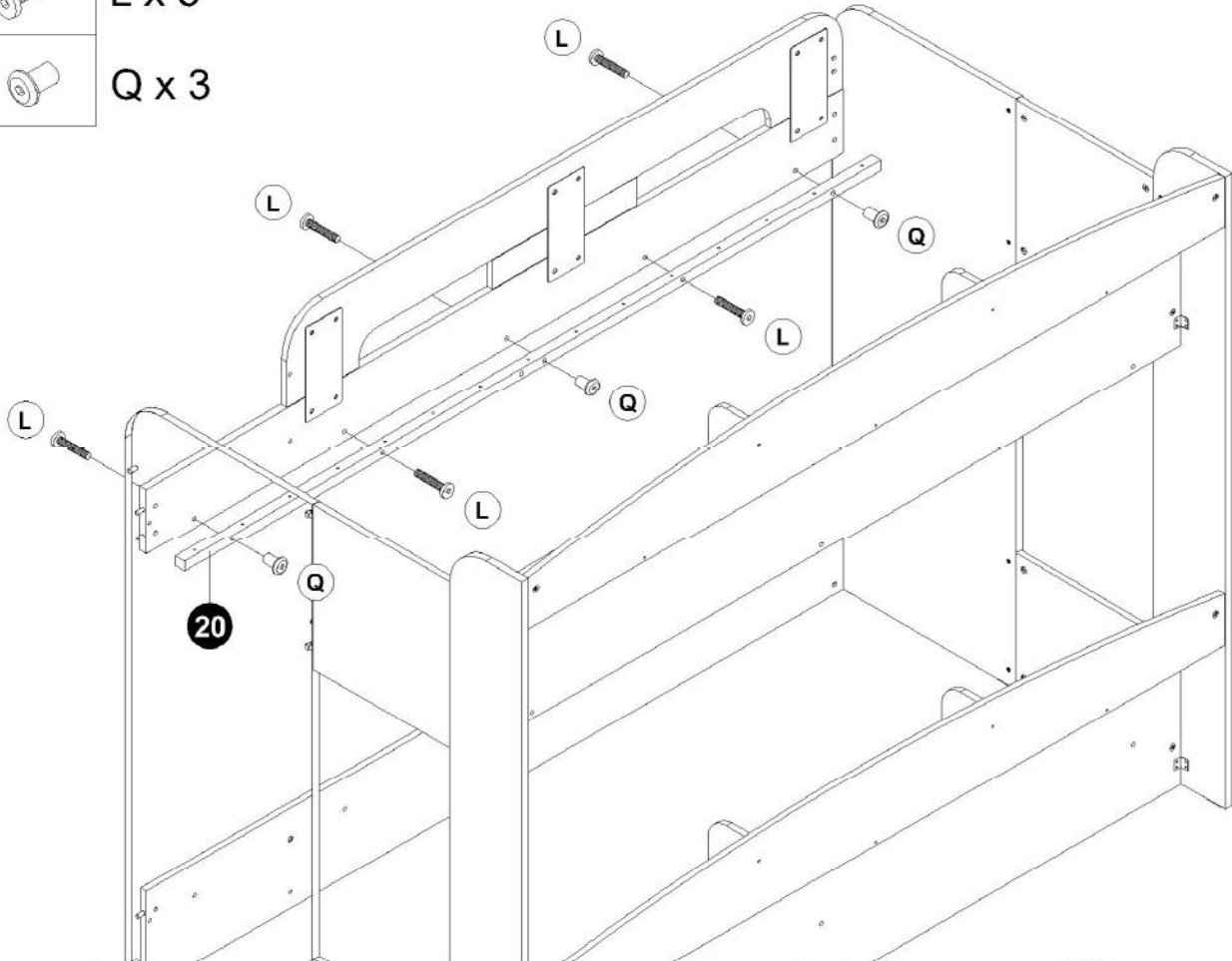
24



L x 5



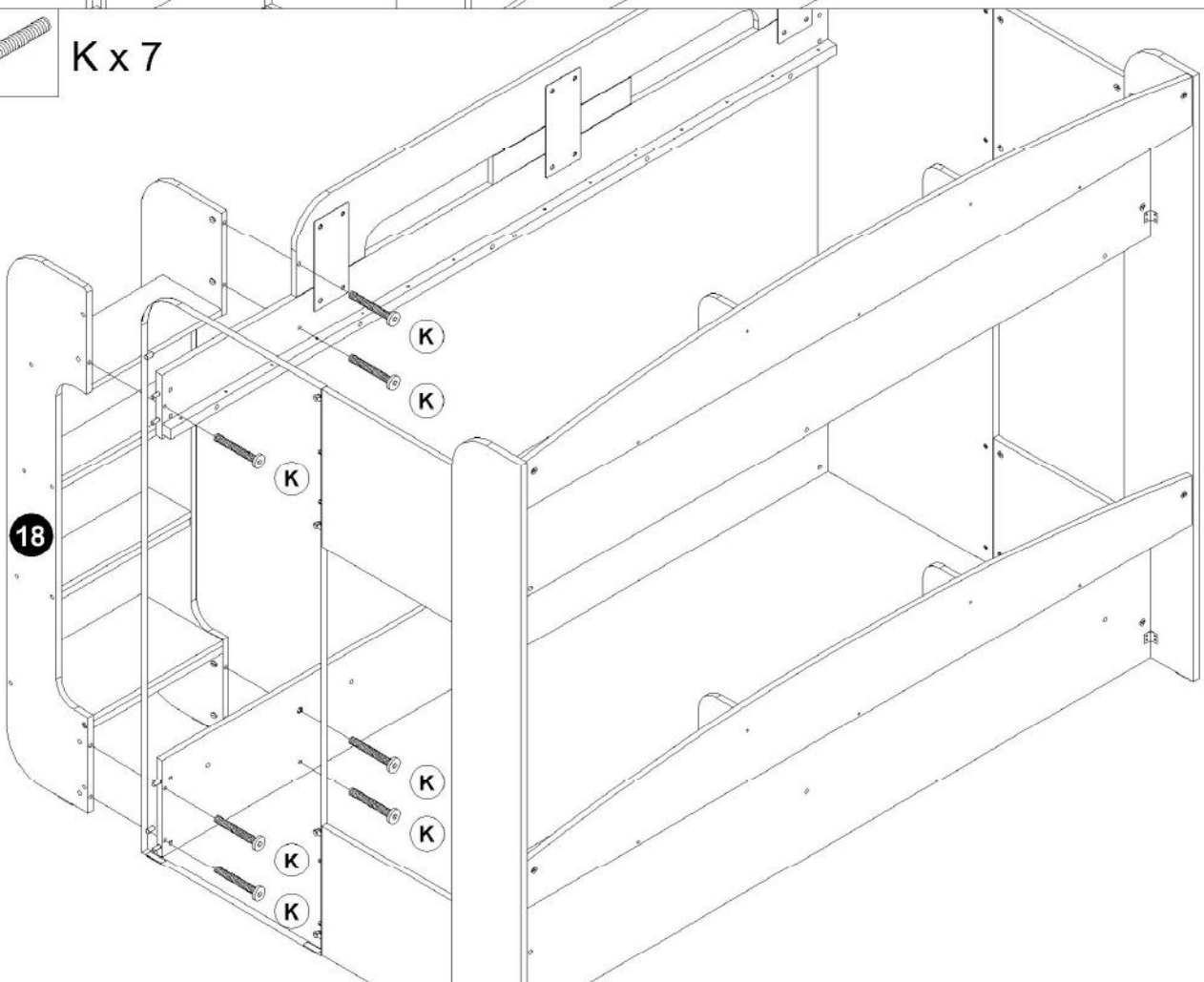
Q x 3



25



K x 7



Guide To Assembly

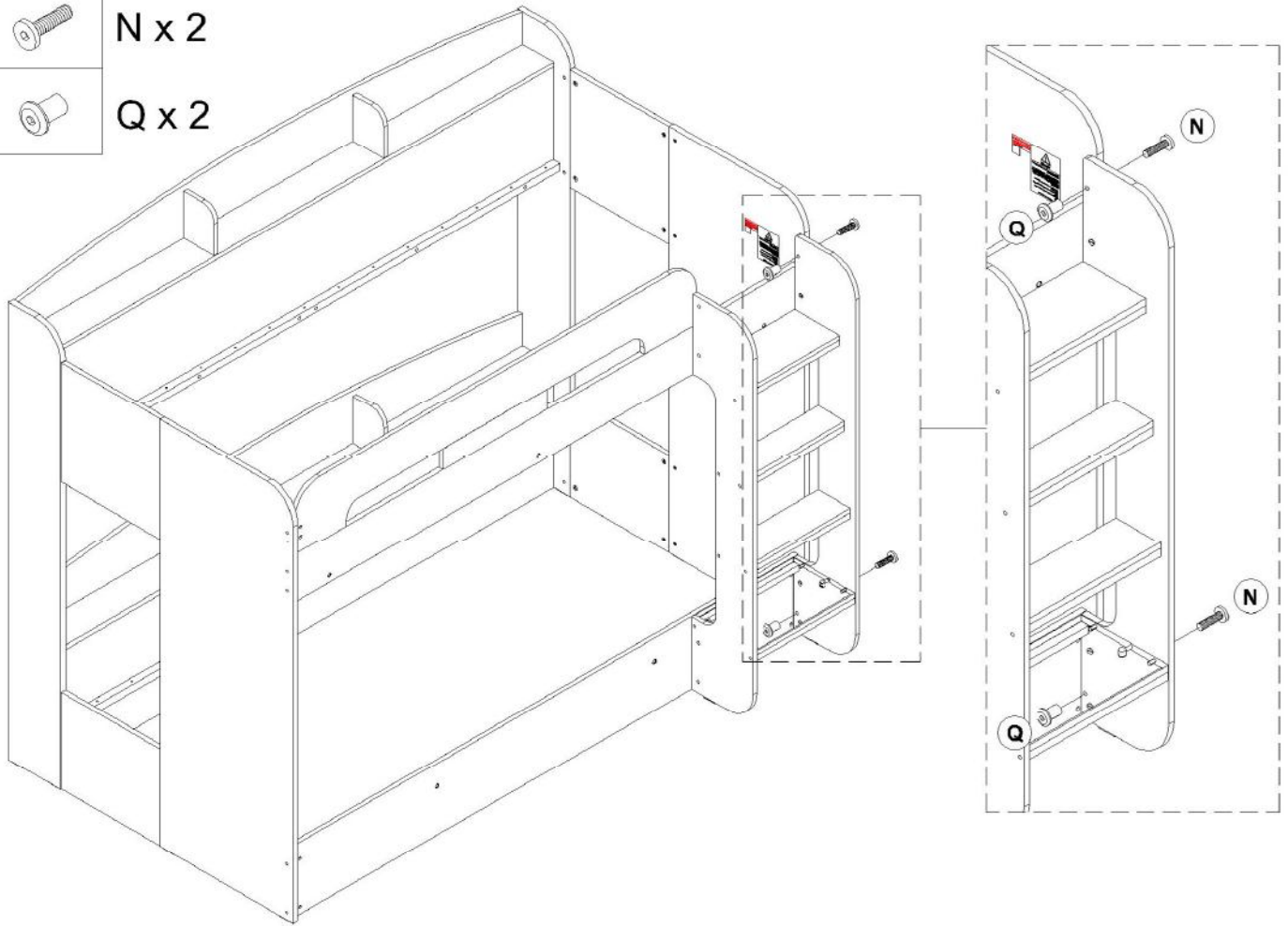
26



N x 2



Q x 2



27



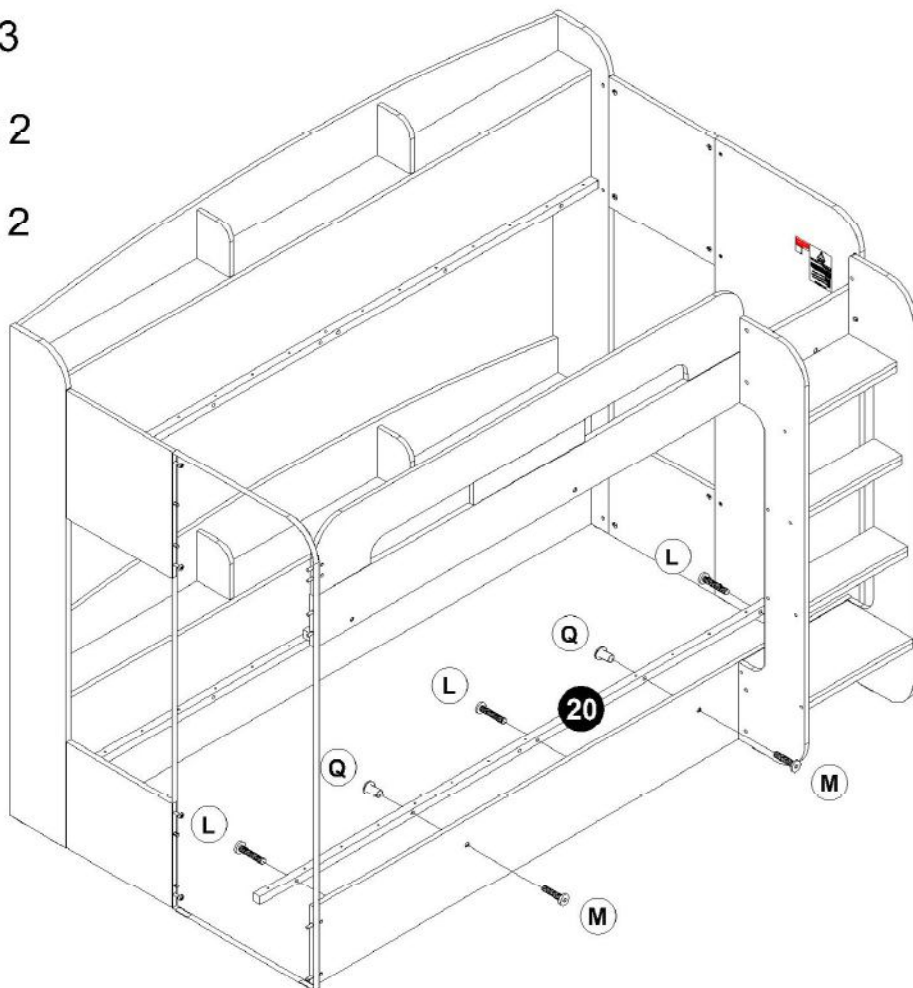
L x 3



M x 2



Q x 2

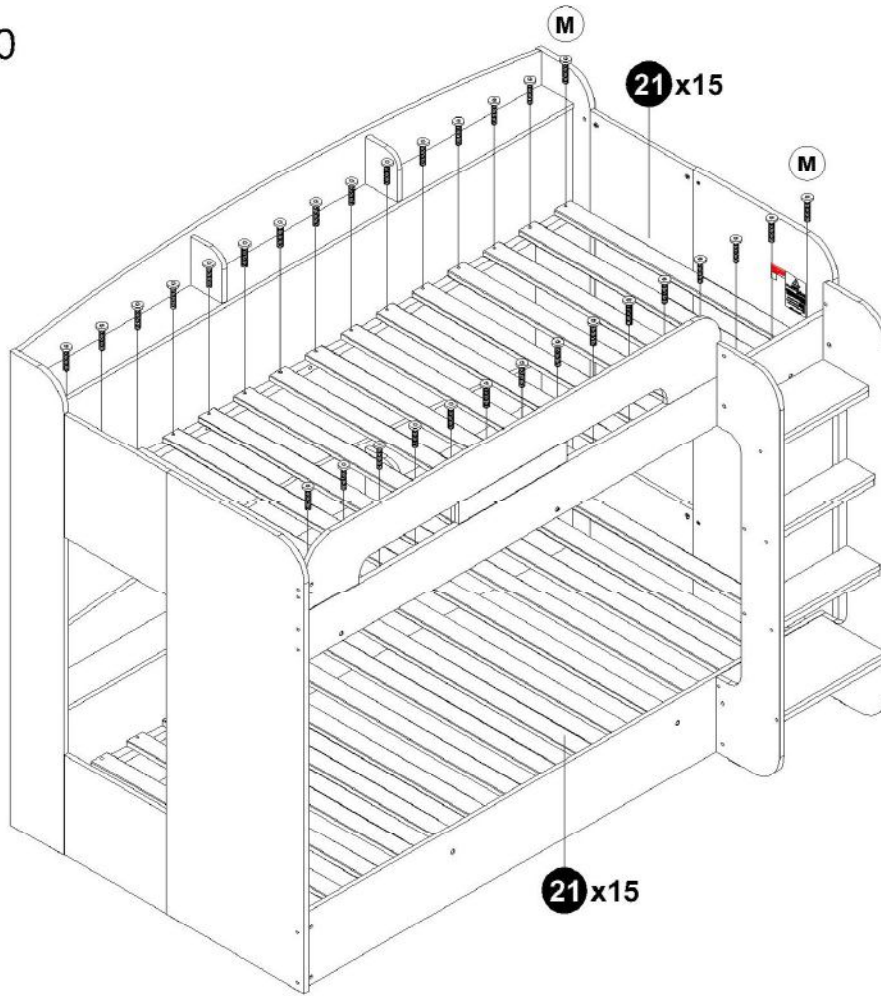


Guide To Assembly

28



M x 60



29



S x 13

