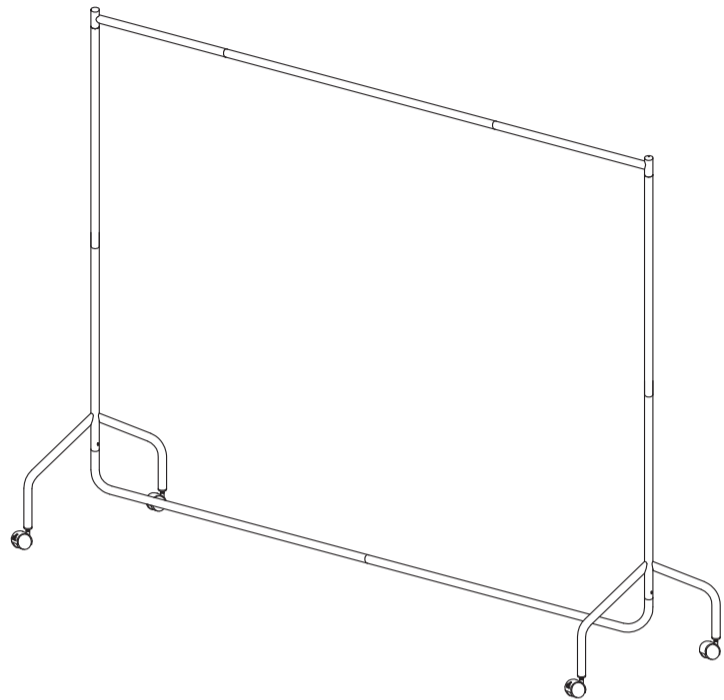


HEAVY DUTY CLOTHES RAIL 6FT WIDE

Assembly Instructions - Please keep for future reference

895/9885

HOME



Dimensions

Width - 180.5 cm
Depth - 44 cm
Height - 160 cm

Important - Please read these instructions fully before starting assembly

If you need help or have damaged or missing parts, call the **Customer Helpline: Argos = 0345 640 0800**

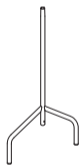
Issue 1 19/10/17

Components - Parts

If you have damaged or missing components, call the **Customer Helpline: Argos = 0345 640 0800**

Please check you have all the panels listed below

1 Leg tube x 2 (87cm)



2 Bottom tube-A x 1 (92cm)



3 Bottom tube-B x 1 (92cm)



4 Side tube x 2 (70cm)



5 Hanging rail-A x 2 (48.6cm)



6 Hanging rail-B x 1 (91cm)



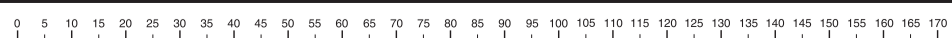
Components - Fittings

Please check you have all the fittings listed below

Note: The quantities below are the correct amount to complete the assembly. In some cases more fittings may be supplied than are required.

A Caster x 4 <small>(2pcs. with brake, 2pcs. without brake)</small>	B Flat head screw 40mm x 2	C Screw 30mm x 2
D Nut x 2	E Spanner x 1	F Allen key x 1
G Screw 9mm x 3		

Ruler - Use this ruler to help correctly identify the screws



Safety and Care Advice

Important - Please read these instructions fully before starting assembly

- Check you have all the components and tools listed on the following pages.
- Remove all fittings from the plastic bags and separate them into their groups.
- Keep children and animals away from the work area, small parts could choke if swallowed.
- Make sure you have enough space to layout the parts before starting.

- During assembly do not stand or put weight on the product, this could cause damage.
- Assemble the item as close to its final position (in the same room) as possible.
- Assemble on a soft level surface to avoid damaging the unit or your floor.
- Parts of the assembly will be easier with 2 people.



• To reduce the likelihood of damaging your product please ensure that your power drill is set on a low torque setting.

• This is the item with "Maximum loading: 50 kgs", please do not put the weight heavier than 50kgs.

Care and maintenance

- Only clean using a damp cloth and mild detergent, do not use bleach or abrasive cleaners.

- From time to time check that there are no loose screws on this unit.

• This product should not be discarded with household waste. Take to your local authority waste disposal centre.

Handy Hints

- Assemble all parts and bolts loosely during assembly, only once the product is complete should you fully tighten the bolts

- Regularly check and ensure that all bolts and fittings are tightend properly.

1

Assembly Instructions

Step 1

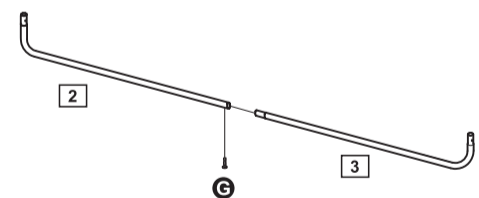
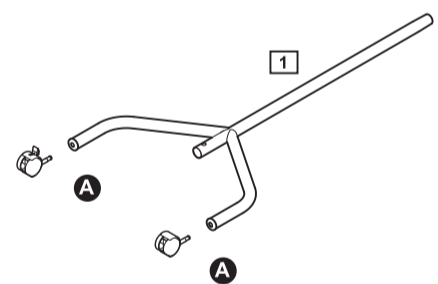
Note: It is recommended that two people work together for easier assembly.

a: Plug Caster **A** into Leg tube **1**.

Repeat Step **a**: assemble other Leg tube **1** with Caster **A**.

Insert Bottom tube-A **2** into Bottom tube-B **3**. Lock by screw **G** then become bottom tube **2+3**.

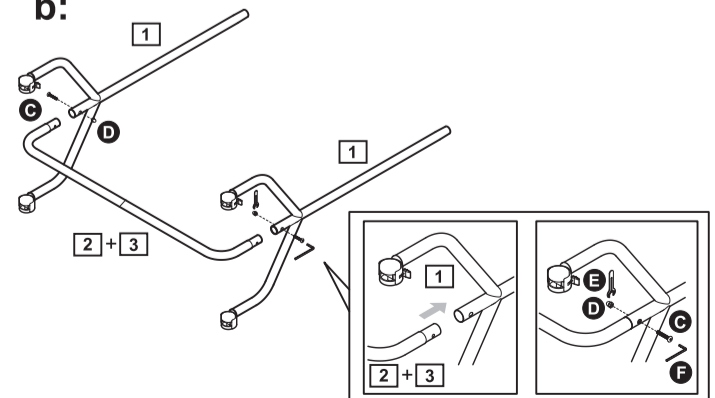
a :



b: Insert Bottom tube **2+3** into Leg tube **1**, align both holes on Bottom tube **2+3** and Leg tube **1**, lock by Screw **C** and Nut **D**, then tighten by Allen key **F** and Spanner **E**.

Repeat Step **b**: assemble other side of Leg tube **1** with Bottom tube **2+3**.

b:



2

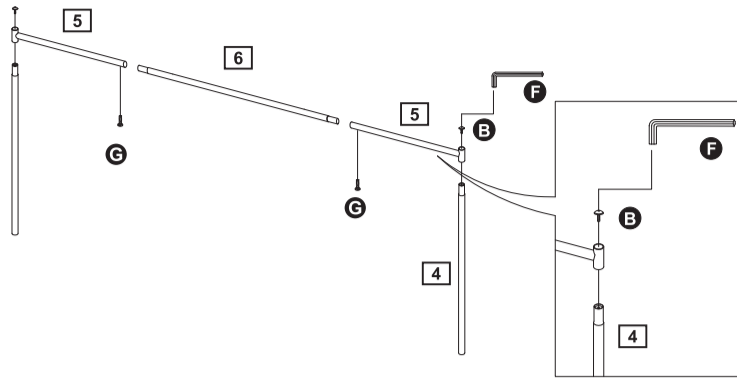
3

Assembly Instructions

Insert 2 hanging rail **5** into hanging rail **6** on both side and locked by screw **G** then become hanging rail **5 + 6**.

Insert hanging rail **5 + 6** into side tube **4** and locked by Flat head screw **B** with Allen key **F**.

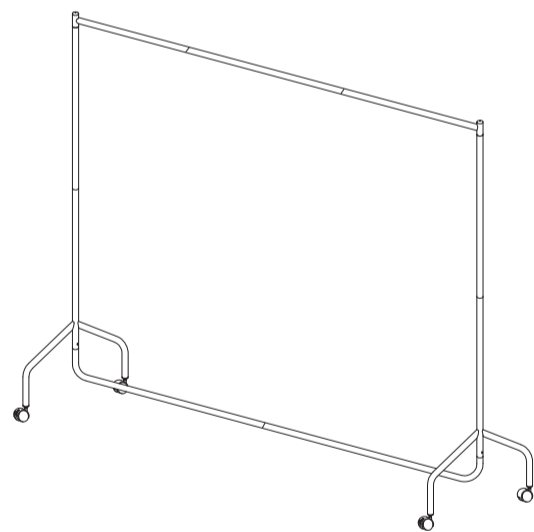
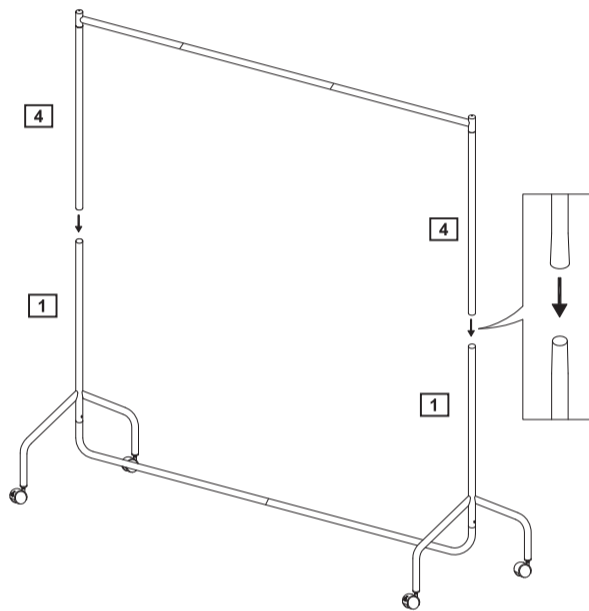
Repeat step c:
Assemble other side of hanging rail **5 + 6** and side tube **4**.



Step 2

Note: It is recommended that two people work together for easier assembly.

Insert side tube **4** into Leg tube **1**.



Assembly is complete.

If you need help or have damaged or missing parts, call the **Customer Helpline:**
Argos = 0345 640 0800