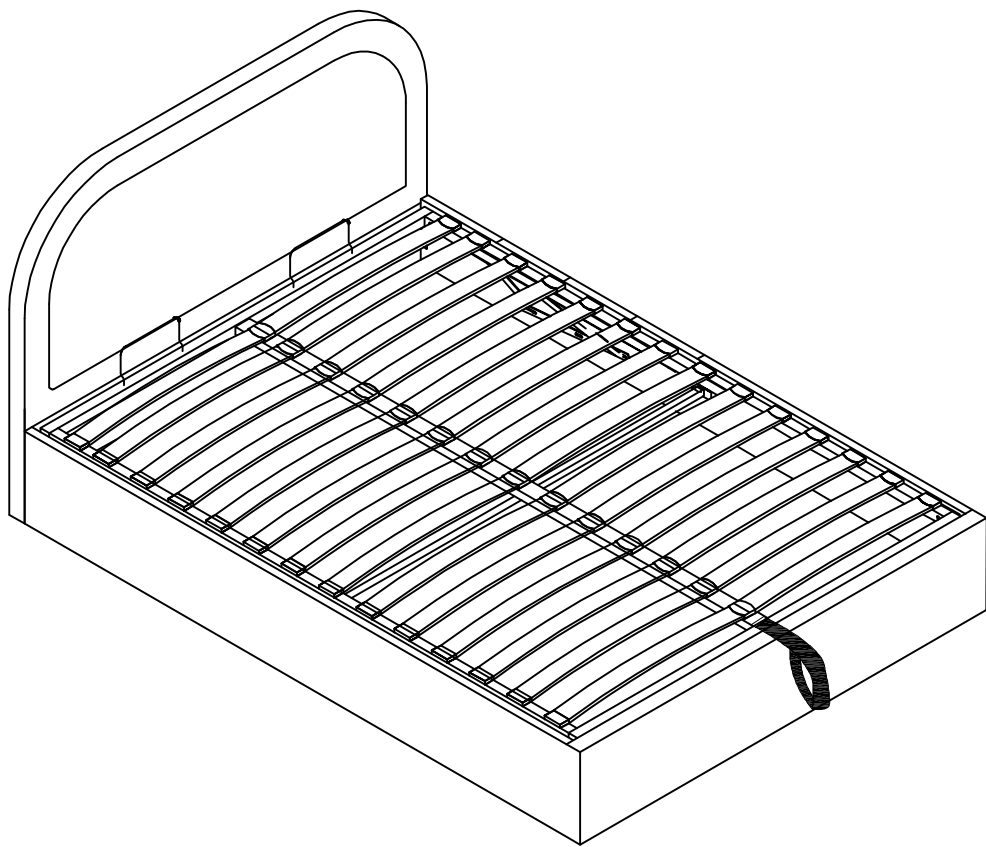


Ashford

 habitat



Spare Parts

 www.argos-support.co.uk

 Help@ClickSpares.co.uk

 0370 112 1928

Customer Support

 0345 640 2020



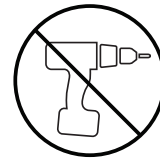
Safety and Care Advice

Product Details

Ashford Small Double Ottoman Bed CREAM	780/3956
Ashford Double Ottoman Bed CREAM	780/9871
Ashford King Ottoman Bed CREAM	785/8657
Ashford Small Double Ottoman Bed GREY	780/0698
Ashford Double Ottoman Bed GREY	784/5952
Ashford King Ottoman Bed GREY	789/9661

IMPORTANT, RETAIN FOR FUTURE REFERENCE: READ CAREFULLY.

- Keep children and animals away from the work area, small parts could choke if swallowed.
- Make sure you have enough space to layout the parts before starting.
- This product has been constructed to be used in the domestic environment only and not for commercial purposes.
- Assemble the item as close to its final position (in the same room) as possible.
- Assemble on a soft level surface to avoid damaging the unit or your floor.
- We do not recommend the use of power drill/drivers for inserting screws as this could damage the unit. Only use hand screwdrivers.
- Parts of the assembly will be easier with 2 people.
- Dispose of all packaging carefully and responsibly.



Care and maintenance

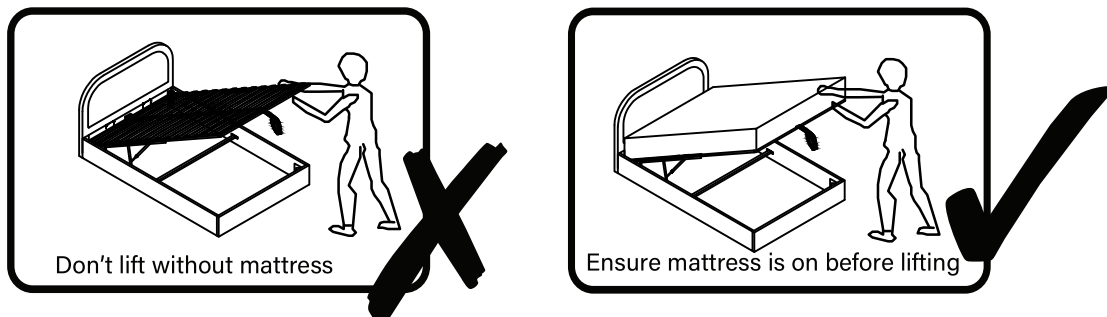
- Only clean using a damp cloth and mild detergent. Do not use abrasive cleaners.
- Use a dry cloth to clean the product, furniture polish is not recommended. (excluding fabric)
- From time to time check that there are no loose screws, nuts or bolts. If there are please re-tighten.
- This product should not be discarded with household waste. Take to your local authority waste disposal centre.

Additional Guidance

- Assemble all parts and bolts loosely during assembly, only once the product is complete should you fully tighten the bolts.
- Regularly check and ensure that all bolts and fittings are tightened properly.
- Individual maximum user weight 110kg.
- Maximum of 2 persons / users.
- Suitable for persons aged 13 years and over.
- This product is compliant with BS EN1725:2023

Important Ottoman Safety Warnings

- **Caution.** This bed uses a pressurised mechanism.
- Use caution when operating - Always use two hands at arm's length, and only where illustrated on the product.
- You must ensure the mattress is on the bed frame before lifting the mechanism - Failure to do so may result in injury.
- Please ensure Children and pets are kept away from the bed when operating the bed mechanism and if removing the mattress, make sure that the frame is secured as it could flip open.
- Only use the storage compartment when the frame is fully raised in the 'up' position.
- No children or animals are to be left unattended when the frame is in the 'up' position.
- Do not remain on the bed whilst the lifting mechanism is in use.
- Beware of entrapment - Keep both hands clear of moving parts when operating the mechanism.



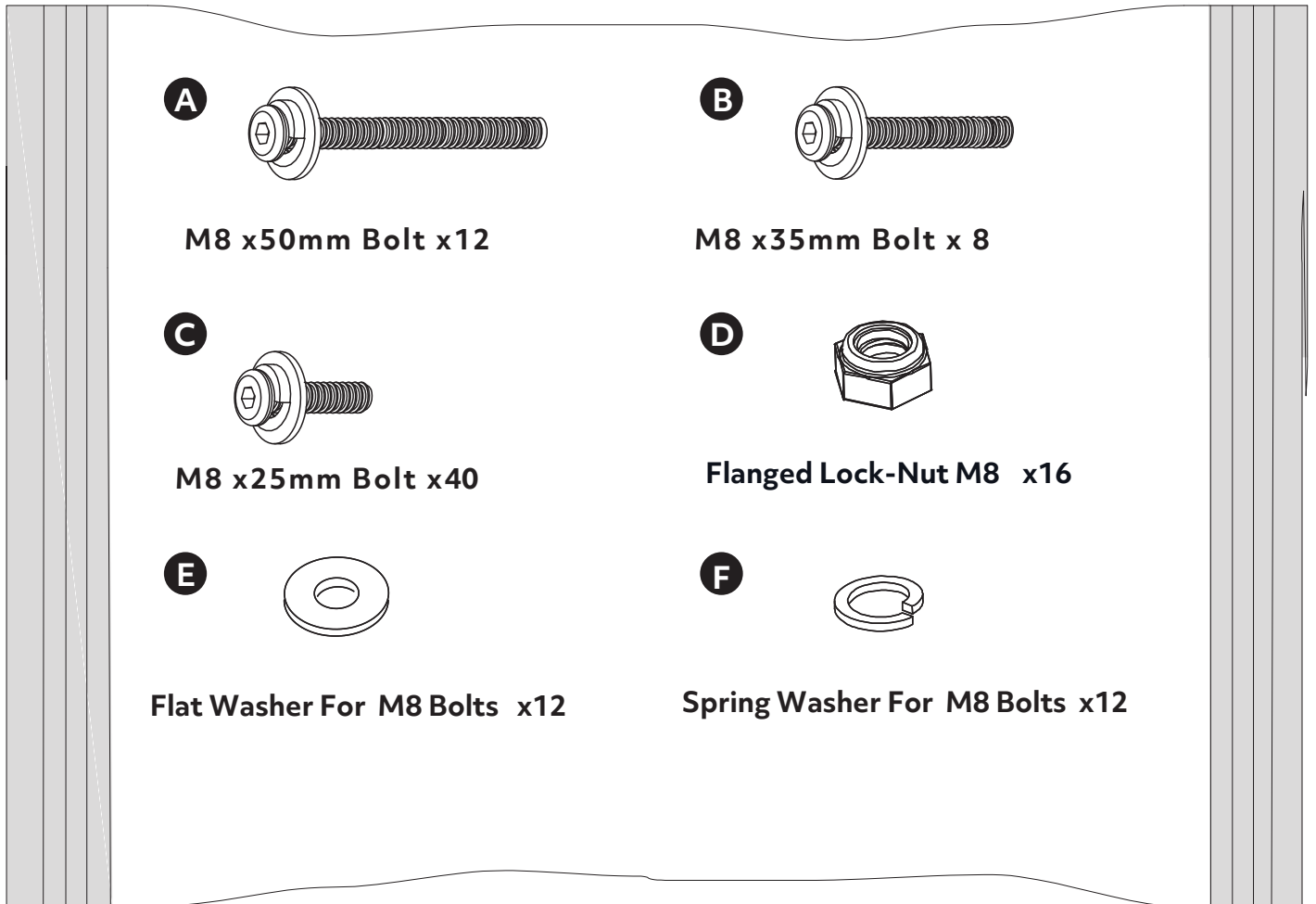
Important Ottoman Safety Warnings

- **IMPORTANT - READ CAREFULLY - RETAIN FOR FUTURE REFERENCE**
- You must ensure that the mattress is on the bed frame before operating the lift mechanism - Failure to do so could result in injury.
- Keep hands clear of the mechanism when opening or closing the ottoman.
- Beware of entrapment - Never reach in through the mechanism to access the storage area.
- Always be sure that the ottoman is FULLY opened before accessing the storage area.
- Do not exceed the maximum weight as specified in the table below:

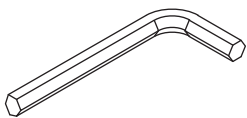
Bed	Bed Size	Min Weight(kg)	Max Weight(kg)
Ashford Ottoman Bed	Small Double	20	50
	Double	20	50
	King	20	50

Fittings (Shown to scale)

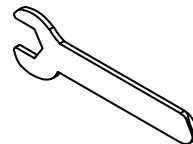
Bag 1



Tools required

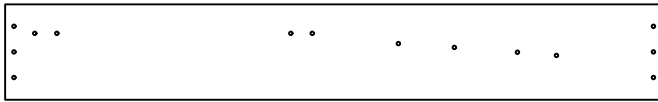


Allen Key for M8 Bolts

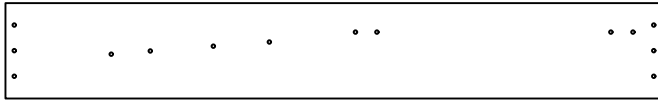


Spanner for M8 Nuts

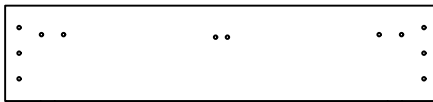
Panels



1 Side Rail - Left x1 (4'/4'6"- 1930x30x280mm)
(5' - 2030x30x280mm)



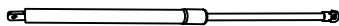
2 Side Rail - Right x1 (4'/4'6"- 1930x30x280mm)
(5' - 2030x30x280mm)



4 Footboard x1 (4' - 1280x60x300mm)
(4'6" - 1430x60x300mm)
(5' - 1580x60x300mm)



6 End Slat Cap x28 (4'/4'6")
x30 (5')



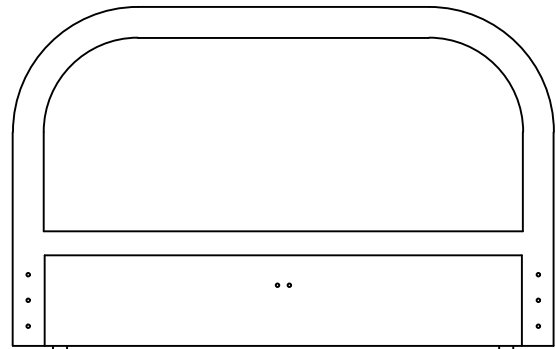
8 Gas-lift Piston x2(4'-700N)
x2(4'6"/5' -800N)



10 Gas-lift Mechanism x1 -cLeft



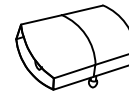
12 Corner Hook Bracket - Right x2



3 Headboard x1 (4'-1295x90x1030mm)
(4'6" -1445x90x1030mm)
(5' -1595x90x1030mm)



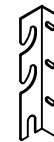
5 Bentwood Slat x28 (4' - 590x53x9mm)
x28 (4'6 - 665x53x9mm)
x30 (5' - 740x53x9mm)



7 Centre Slat Cap x14 (4'/4'6")
x15 (5')



9 Gas-lift Mechanism x1 -cRight



11 Corner Hook Bracket - Left x2



13 Angled Corner Bracket x2

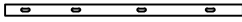
Panels



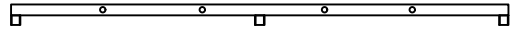
14 'L' Shape Bracket x2



15 Mattress Stopper x 2



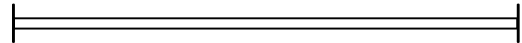
16 Spacer Rail For Gas Lift Mechanism x2 (525x30x15mm)



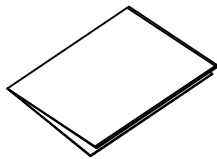
17 End Support Rail For Slat Frame x2
(4'- 1190x80x30mm)
(4'6" - 1340x80x30mm)
(5' - 1490x80x30mm)



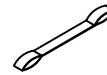
18 Side Rail For Slat Frame x3
(4'/4'6"-1840x30x30)
(5' -1940x30x30)



19 Side Rail Cross Bar x1
(4'-1230x95x30)
(4'6"-1380x95x30)
(5' -1530x95x30)



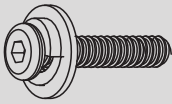
20 Fabric Base Cover x1



21 Fabric Hand Strap x1

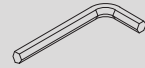
1

C

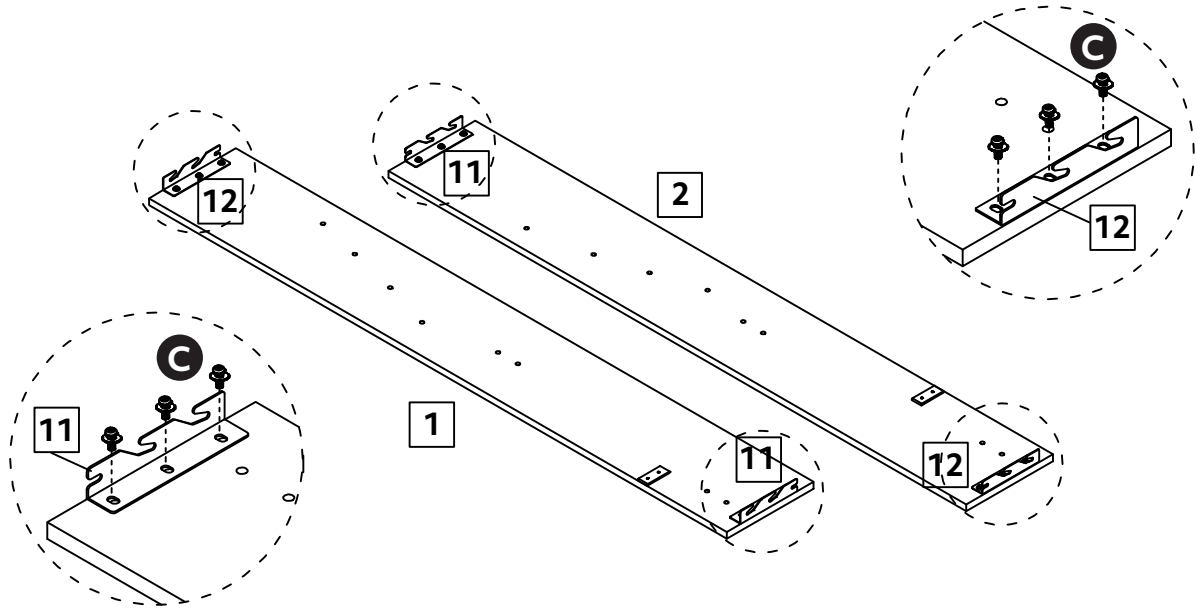


M8 x25mm Bolt x12

Pt.No

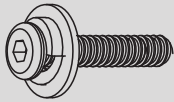


Allen Key for M8 Bolts x1



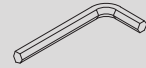
2

C

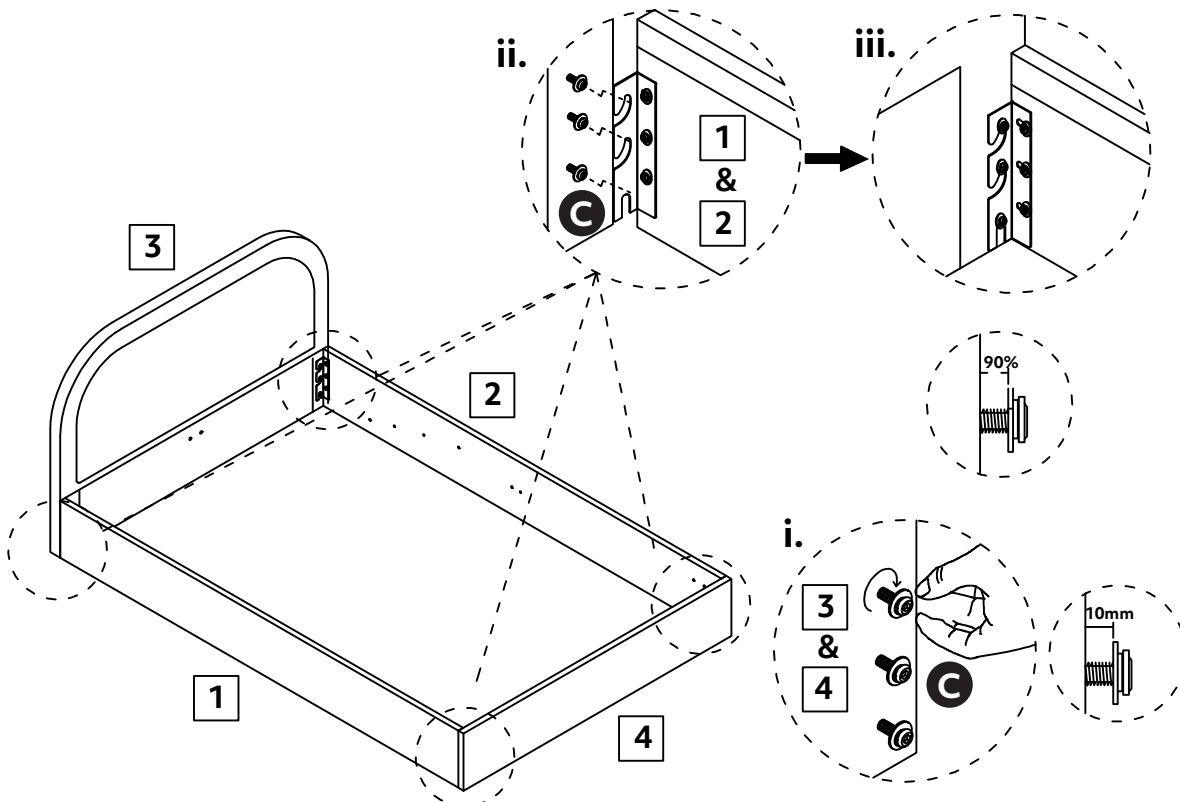


M8 x25mm Bolt x12

Pt.No

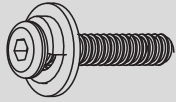


Allen Key for M8 Bolts x1



3

C

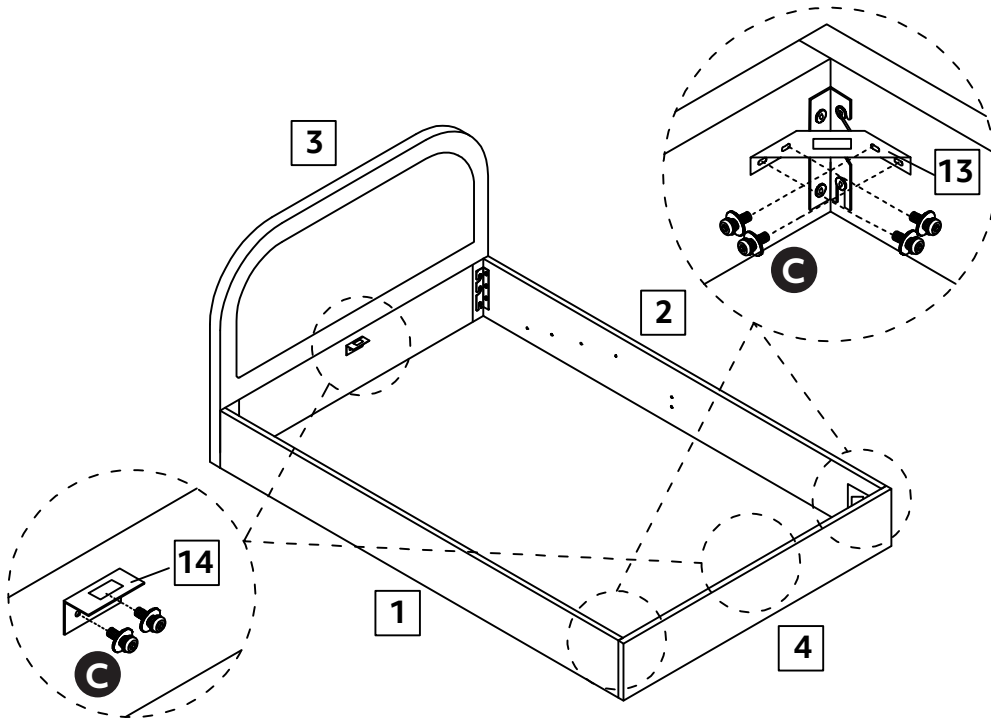


M8 x25mm Bolt x12

Pt.No

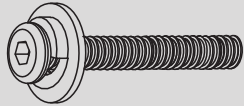


Allen Key for M8 Bolts x1



4

B

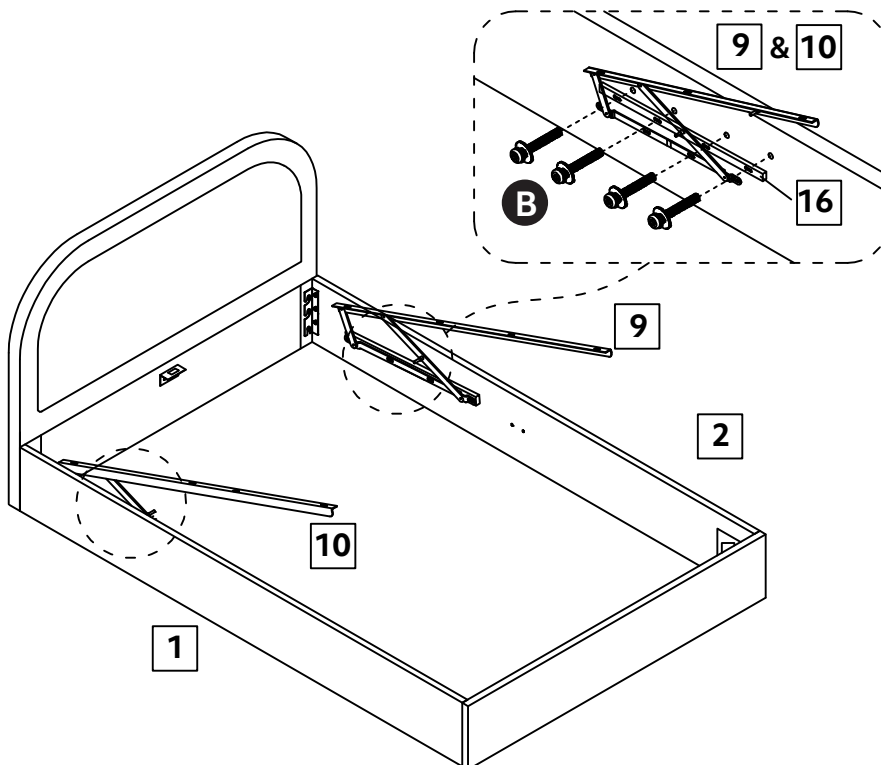


M8 x35mm Bolt x8

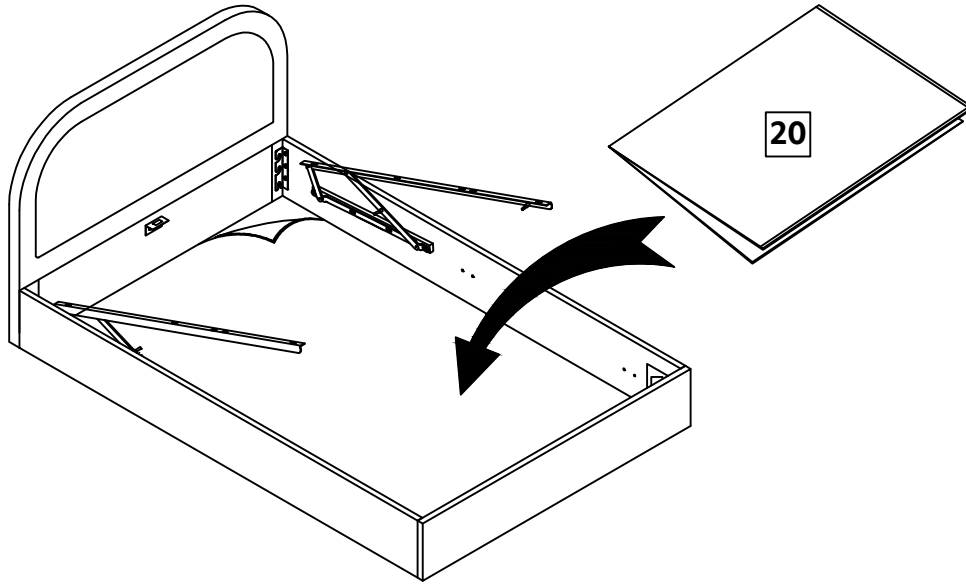
Pt.No




Allen Key for M8 Bolts x1

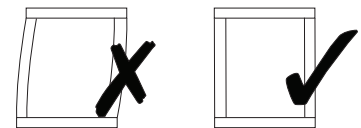
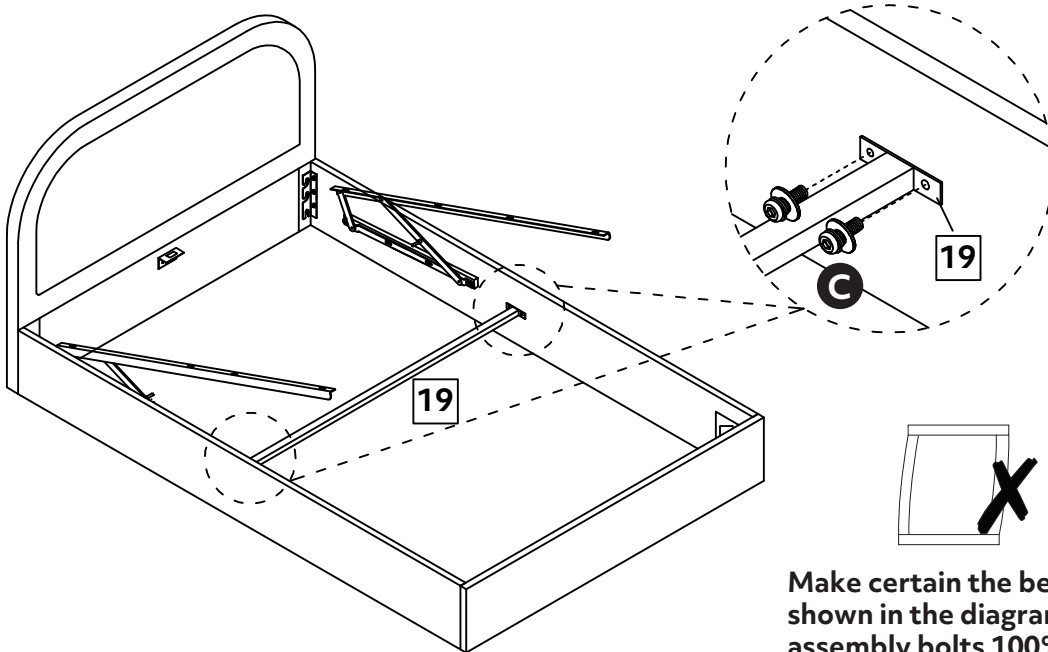


5



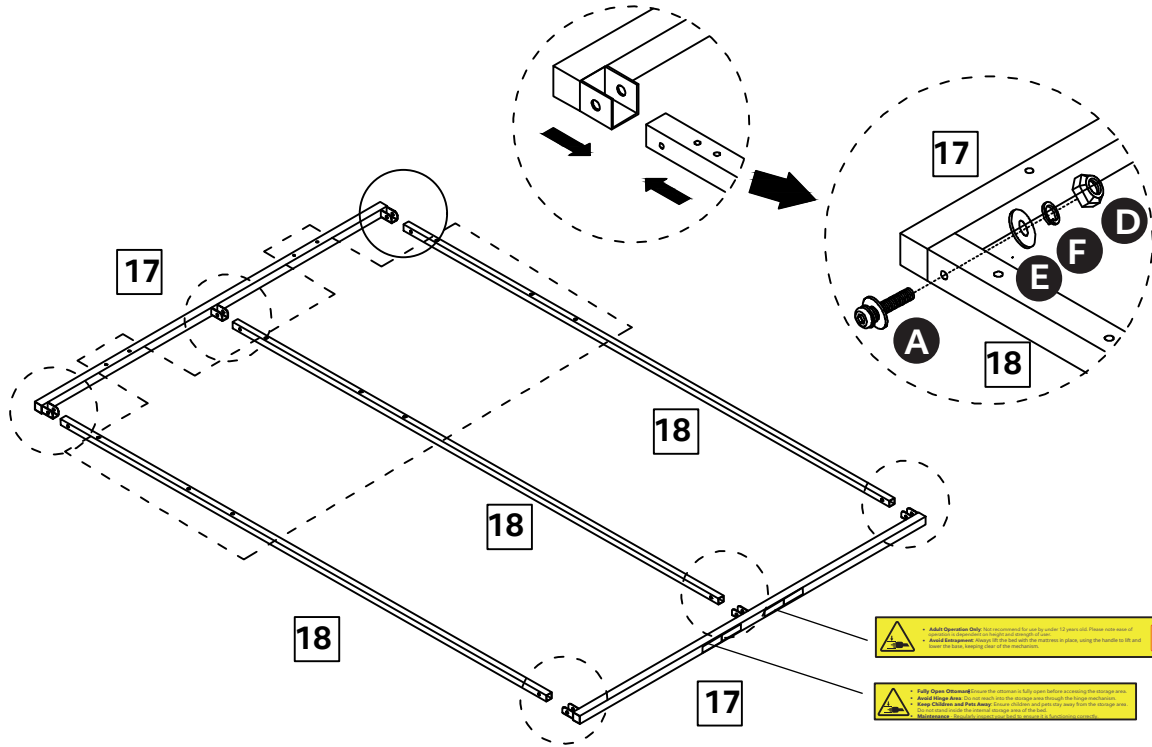
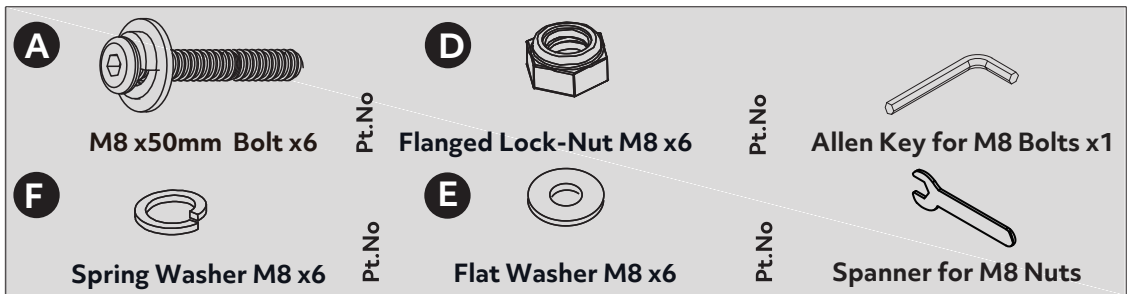
6

	M8 x25mm Bolt x4	Pt.No		Allen Key for M8 Bolts x1
---	-------------------------	--------------	---	----------------------------------

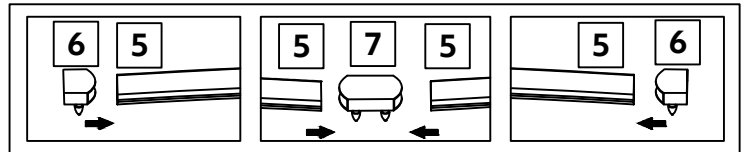


Make certain the bed is squared up as shown in the diagram then tighten all bed assembly bolts 100%.

7



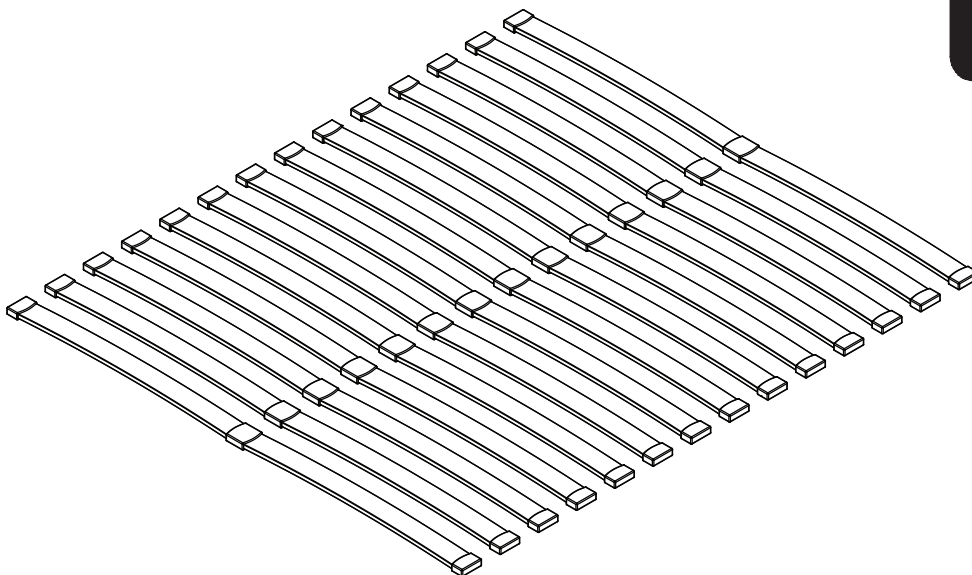
8



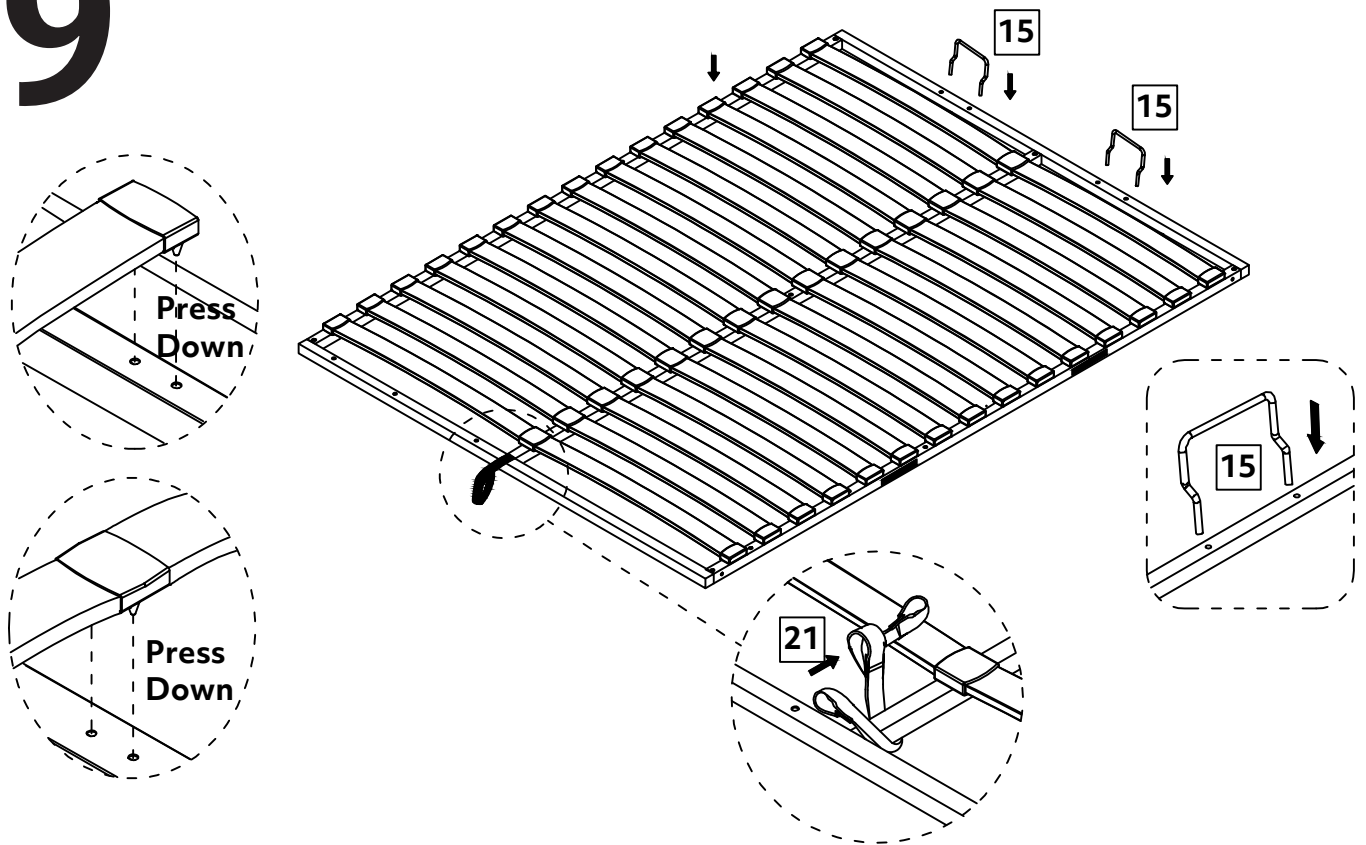
4'/4'6" & 5'



4'/4'6" x14 row
5' x15 row



9



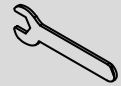
10

D

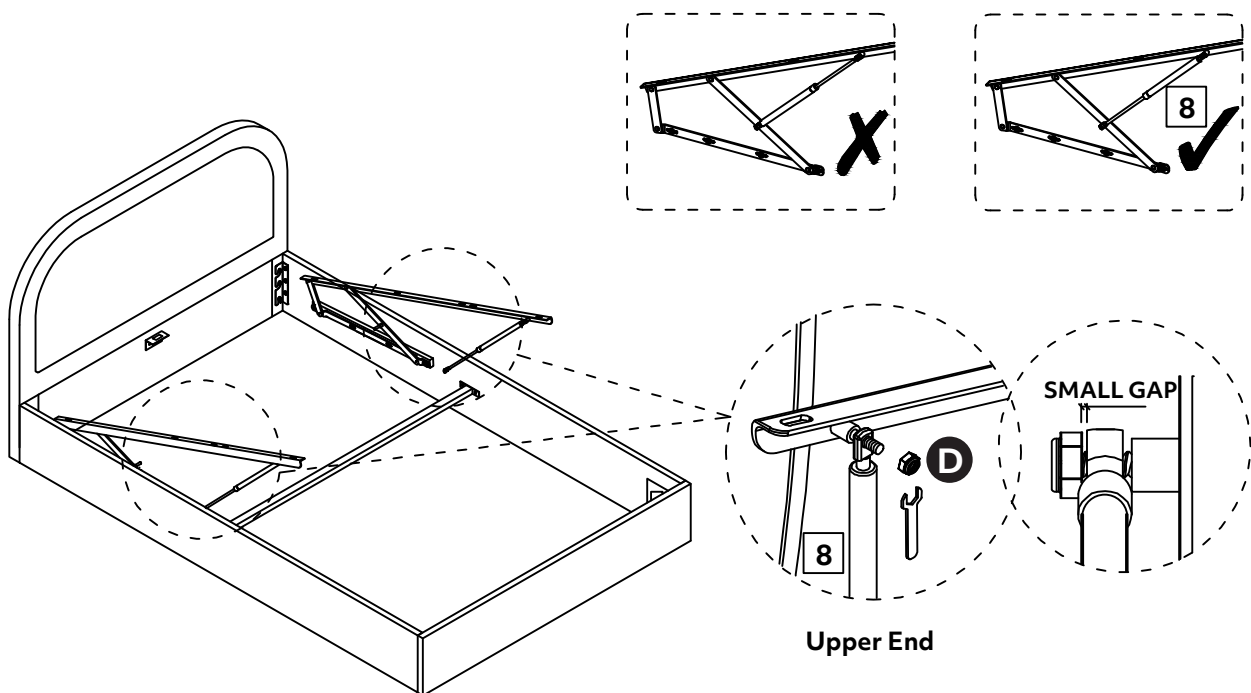


Flanged Lock-Nut M8 x2

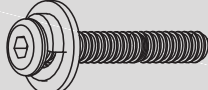




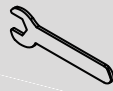
Pt.No

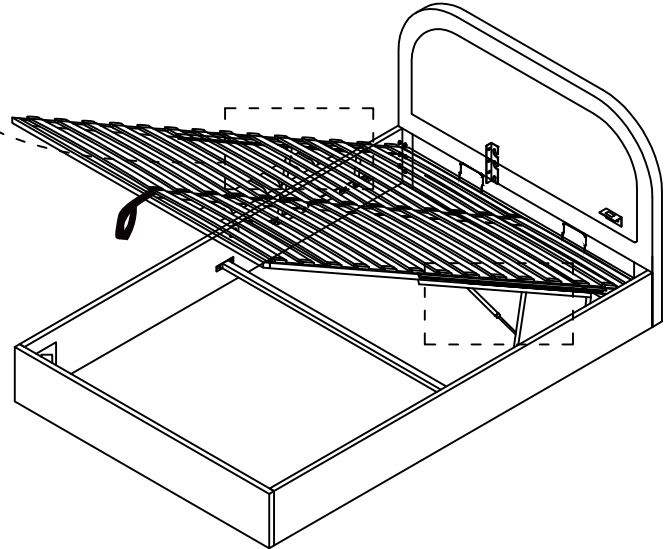
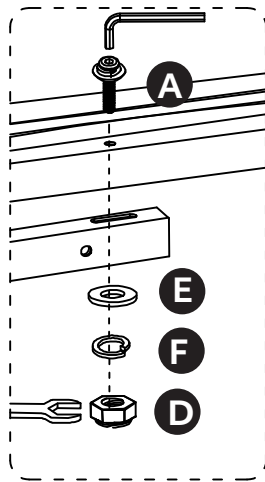
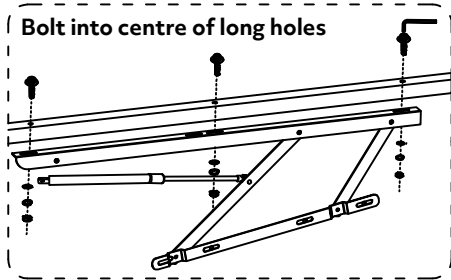


Spanner for M8 Nuts



11

A		D			
	M8 x50mm Bolt x6	Pt.No	Flanged Lock-Nut M8 x6	Pt.No	Allen Key for M8 Bolts x1
F			E		
	Spring Washer M8 x6	Pt.No	Flat Washer M8 x6	Pt.No	Spanner for M8 Nuts

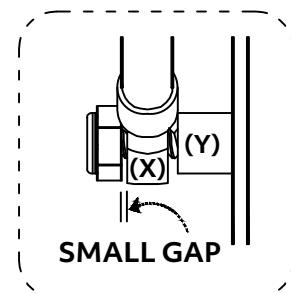
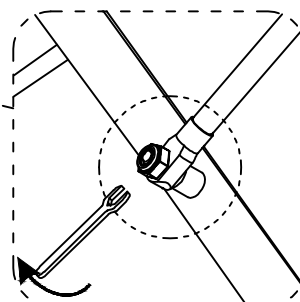
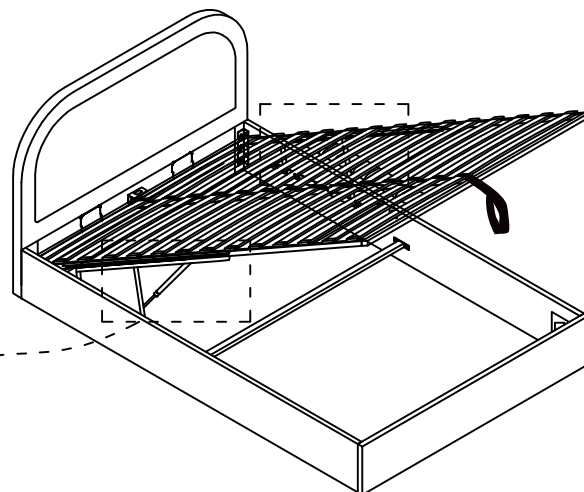
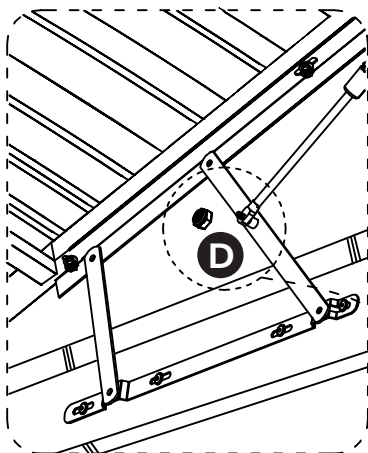


Loosely fit three bolt sets on each side(A, E, F & D), carefully hold frame down and align so there even gaps at each side, then tighten all bolts 100%.

12

D			
	Flanged Lock-Nut M8 x2	Pt.No	Spanner for M8 Nuts

Slide gas-lift piston stem(x) onto the axle (y) then fit the flanged lock-nut (D). Tighten nut with spanner - do not over-tighten.



A small gap must be left so stem can move freely - this is important, see the sketch far-right.

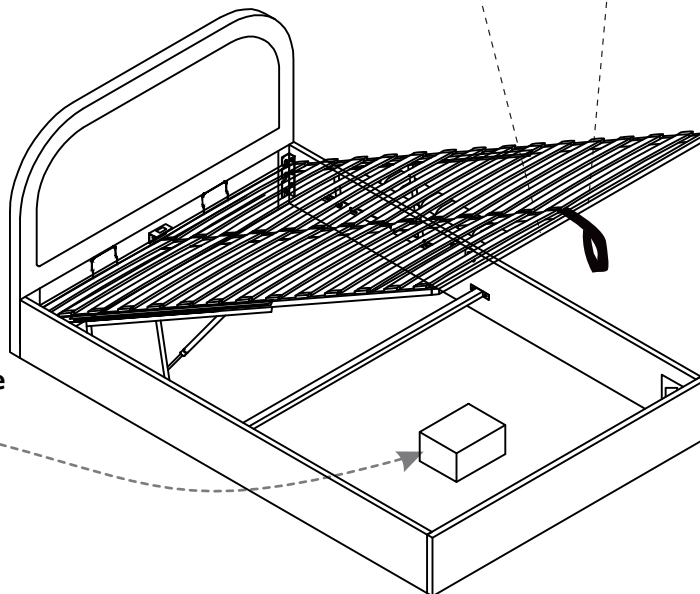
13



- **Adult Operation Only** Not recommend for use by under 12 years old. Please note ease of operation is dependent on height and strength of user.
- **Avoid Entrapment** : Always lift the bed with the mattress in place, using the handle lower the base, keeping clear of the mechanism.



- **Fully Open Ottoman** : Ensure the ottoman is fully open before accessing the storage area.
- **Avoid Hinge Area** : Do not reach into the storage area through the hinge mechanism.
- **Keep Children and Pets Away** : Ensure children and pets stay away from the storage area. Do not stand inside the internal storage area of the bed.
- **Maintenance** : Regularly inspect your bed to ensure it is functioning correctly.



Note: Be very careful what you store under the bed - the top of an item, like a suitcase or a box, must not touch the slats or they may be damaged.

Maximum storage height is 260mm.