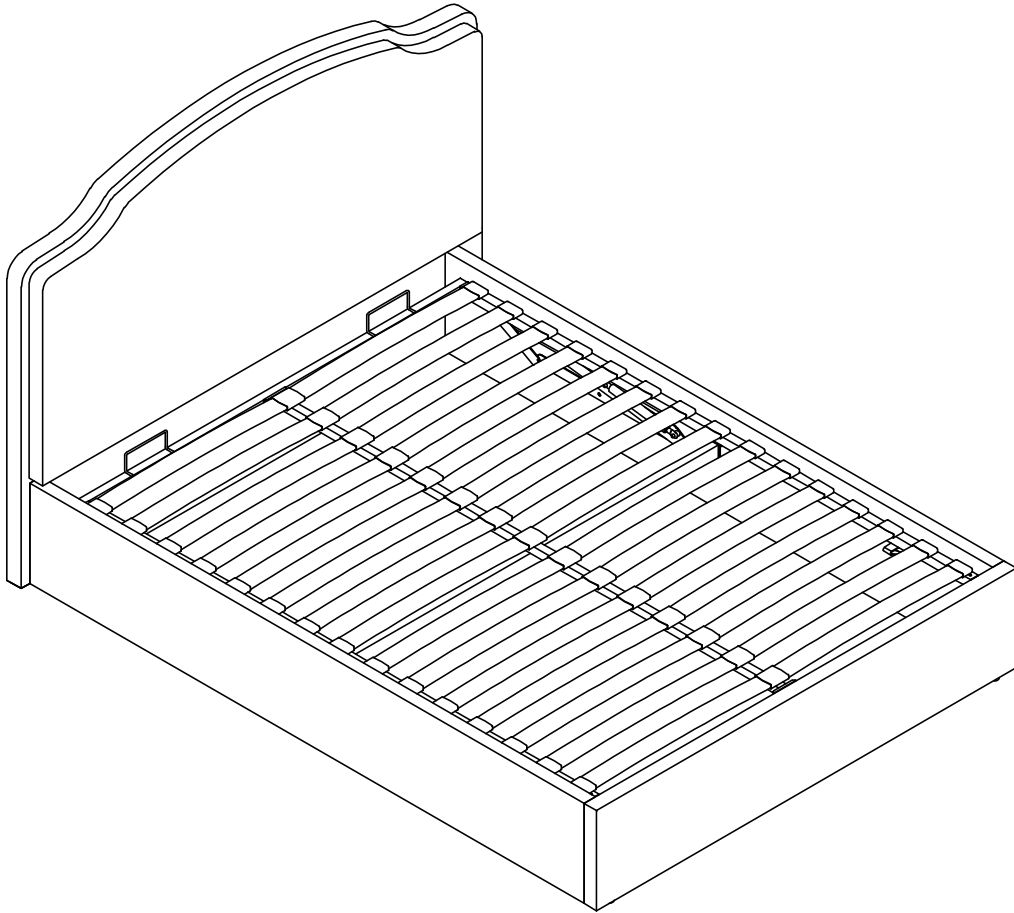



Ripley




Spare Parts

 www.argos-support.co.uk

 Help@ClickSpares.co.uk

 0370 112 1928

Customer Support

 0345 640 2020



Safety and Care Advice

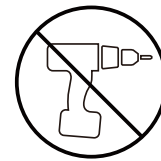
Product Details

RIPLEY OTTOMAN BED 4FT 7895160/7935257
 RIPLEY OTTOMAN BED 4FT6 7910784/7783904
 RIPLEY OTTOMAN BED 5FT 7749498/7766677

IMPORTANT, RETAIN FOR FUTURE REFERENCE : READ CAREFULLY.

- Keep children and animals away from the work area, small parts could choke if swallowed.
- Make sure you have enough space to layout the parts before starting.
- This product has been constructed to be used in the domestic environment only and not for commercial purposes.

- Assemble the item as close to its final position (in the same room) as possible.
- Assemble on a soft level surface to avoid damaging the unit or your floor.



- We do not recommend the use of power drill/drivers for inserting screws as this could damage the unit. Only use hand screwdrivers.
- Parts of the assembly will be easier with 2 people.
- Dispose of all packaging carefully and responsibly.

Care and maintenance

- Only clean using a damp cloth and mild detergent. Do not use abrasive cleaners.
- From time to time check that there are no loose screws, nuts or bolts. If there are please re-tighten.
- This product should not be discarded with household waste. Take to your local authority waste disposal centre.

Additional Guidance

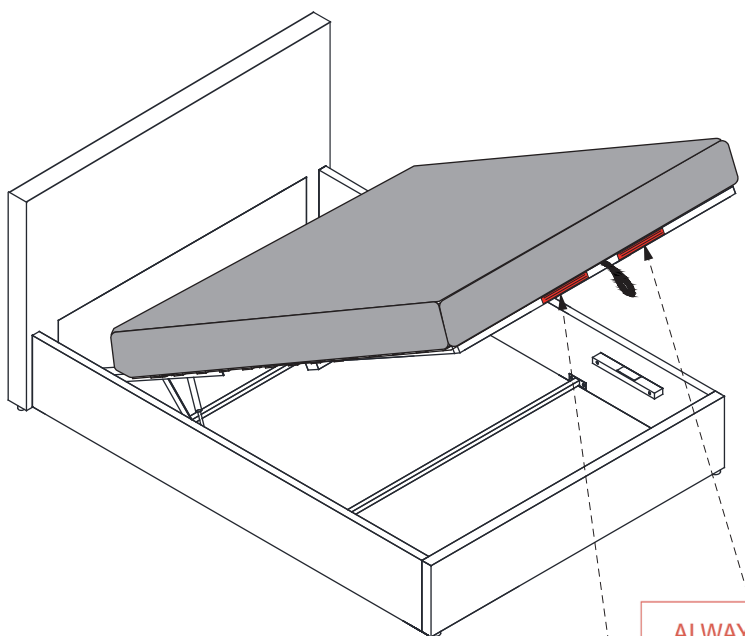
- Assemble all parts and bolts loosely during assembly, only once the product is complete should you fully tighten the bolts.
- Regularly check and ensure that all bolts and fittings are tightened properly.
- Any additional or replacement parts are obtained from the manufacturer.
- Age recommendation: Adult bed, 13 years and over.
- Maximum user weight 100kg.
- This product is compliant BSEN1725:2023.
- The mattress size follow below:

	Mattress Size
Single	Width 90 x Length 190 cm
Small Double	Width 120 x Length 190 cm
Double	Width 135 x Length 190 cm
King	Width 150 x Length 200 cm
Super King	Width 180 x Length 200 cm

IMPORTANT OTTOMAN SAFETY WARNINGS

- Caution. This bed uses a pressurised mechanism.
- Use caution when operating - Always use two hands at arm's length, and only where illustrated on the product.
- You must ensure the mattress is on the bed frame before lifting the mechanism- Failure to do so may result in injury.
- Keep hands clear of the mechanism when opening or closing the ottoman. Beware of entrapment – Never reach in through the mechanism to access the storage area.
- Always ensure that the ottoman is FULLY opened before accessing the storage area.
- Do not exceed the maximum mattress weight as specified in the table below:

Bed Size		Min Weight (kg)	Max Weight (kg)
Single	Width 90 x Length 190 cm	20	45
Small Double	Width 120 x Length 190 cm	30	50
Double	Width 135 x Length 190 cm	30	60
King	Width 150 x Length 200 cm	30	60
Super King	Width 180 x Length 200 cm	30	80



ALWAYS USE TWO HANDS AT ARM'S LENGTH TO OPERATE MECHANISM FROM THIS LOCATION

IMPORTANT SAFETY WARNING

- Caution. This bed uses a pressurised mechanism. Use caution when operating-Always use two hands at arm's length.
- You must ensure the mattress is on the bed frame before lifting the mechanism. Failure to do so may result in injury.
- Please ensure Children and Pets are kept away from the bed when operating the bed mechanism.



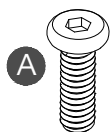
IMPORTANT OTTOMAN SAFETY WARNINGS

- To be operated by adults only.
- Please ensure Children and Pets are kept away from the bed when operating the bed mechanism.
- If removing the mattress, make sure that the frame is secured as it could flip open.
- Only use the storage compartment when the frame is fully raised in the 'up' position. No children or animals are left unattended when the frame is in the 'up' position.
- Do not remain on the bed whilst the lifting mechanism is in use.
- Beware of Entrapment- Keep both hands clear of mechanism when operating the mechanism.
- When lifting the bed remove all bedding - Except the fitted sheet.
- Always assess the surrounding area and confirm it is safe to proceed.
- At least two people must be present at the location during the lifting process to ensure stability and prevent injury.
- Only use the designated handles or lifting aids as specified. Do not force or modify the lifting mechanism.
- After installing the gas lifter, do not lift the entire bed (e.g., from side to 90° facing up) to prevent bending or damaging the ottoman mechanism.
- Read and follow all provided instructions before operating the ottoman mechanism.

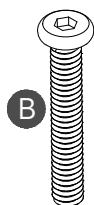


Fittings (Shown to scale)

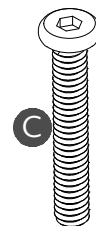
Bag



20 mm Bolt M6 x 36



35 mm Bolt M6 x 16



40 mm Bolt M6 x 1



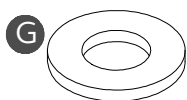
Screw-4.0x15 x4



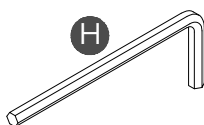
Nut-M6 x4



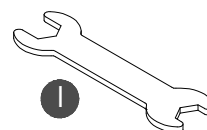
Nut-M8 x4



Flat Washer- Φ 6x16 x16

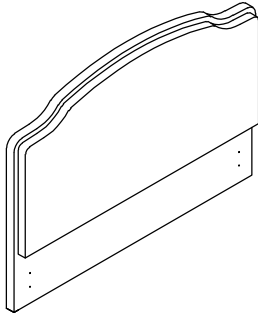


Allen Key x1

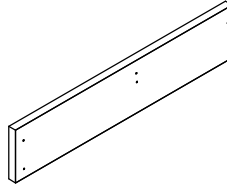


Spanner x1

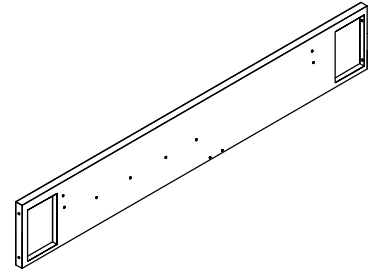
Panels



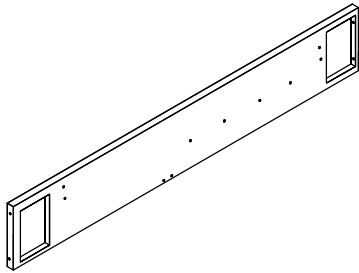
1 Headboard
4FT: 1320x1125mm
4FT6: 1490x1125 mm
5FT: 1640x1125 mm



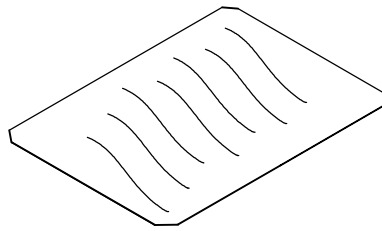
2 Footboard
4FT: 1270x305 mm
4FT6: 1440x305 mm
5FT: 1590x305 mm



3 Side Rail
4FT: 1970x305 mm
4FT6: 1970x305 mm
5FT: 2055x305 mm



4 Side Rail
4FT: 1970x305 mm
4FT6: 1970x305 mm
5FT: 2055x305 mm

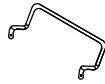


22 Bottom Back Cover
4FT: 1260x2015 mm
4FT6: 1427x2015 mm
5FT: 1581x2100 mm

Hardware



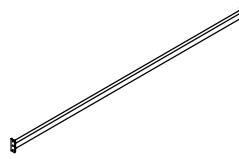
5 Gas Lift x2



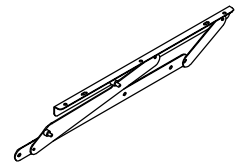
6 Mattress Support x2



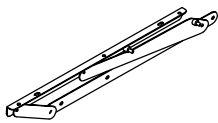
7 Leg x4
(24 mm)



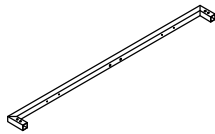
8 support Rail
4FT: 1215mm
4FT6: 1382 mm
5FT: 1536 mm



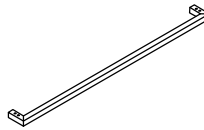
9L Left Hinge



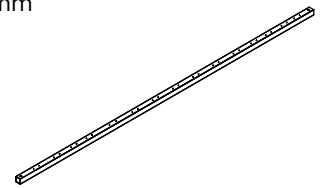
9R Right Hinge



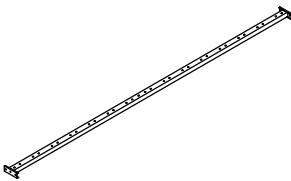
10 Back Tube
4FT: 1177 mm
4FT6: 1343 mm
5FT: 1497 mm



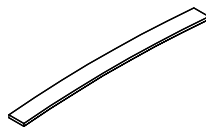
11 Front Tube
4FT: 1177 mm
4FT6: 1343 mm
5FT: 1497 mm



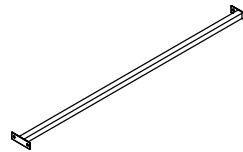
12 Side Rail x2
4FT: 1824 mm
4FT6: 1824 mm
5FT: 1904 mm



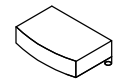
13 Center Rail
4FT: 1828 mm
4FT6: 1828 mm
5FT: 1908 mm



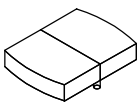
14 Wooden Slat
4FT: 588 mm x28
4FT6: 670 mm x30
5FT: 747 mm x34



15 Bottom Centre Rail
4FT: 1215 mm
4FT6: 1382 mm
5FT: 1536 mm



16 Single Slat Cap
4FT: x 28
4FT6: x 30
5FT: x 34



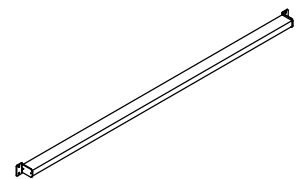
17 Double Slat Cap
4FT: x 14
4FT6: x 15
5FT: x 17



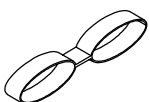
18 Buckle



19 Buckle



20 Cross Rail
4FT: 1176 mm
4FT6: 1342 mm
5FT: 1496 mm

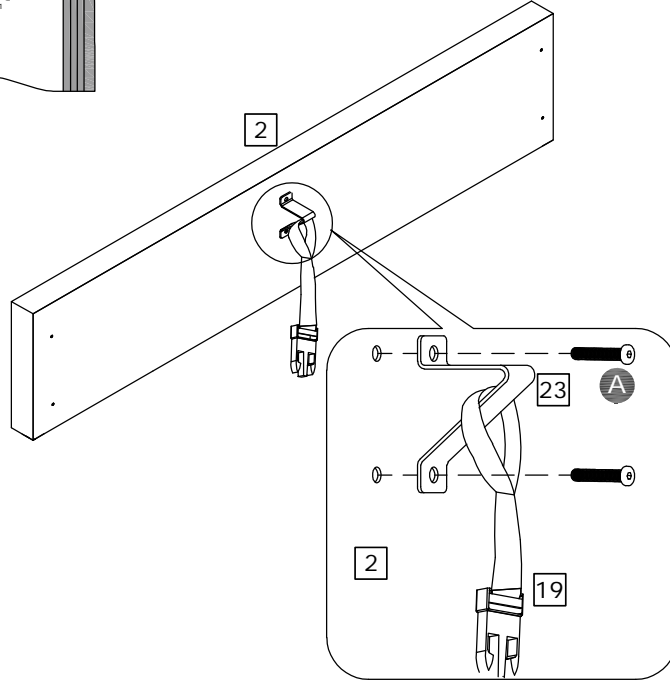
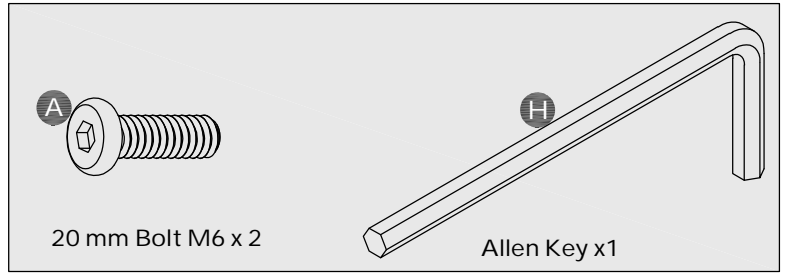
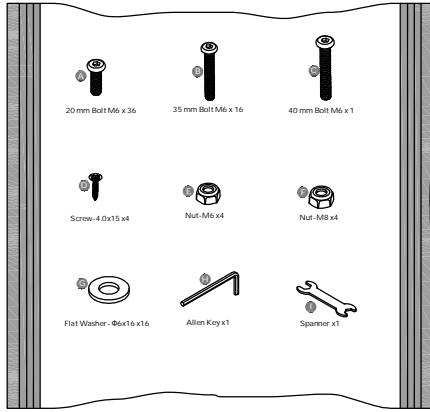


21 Strap

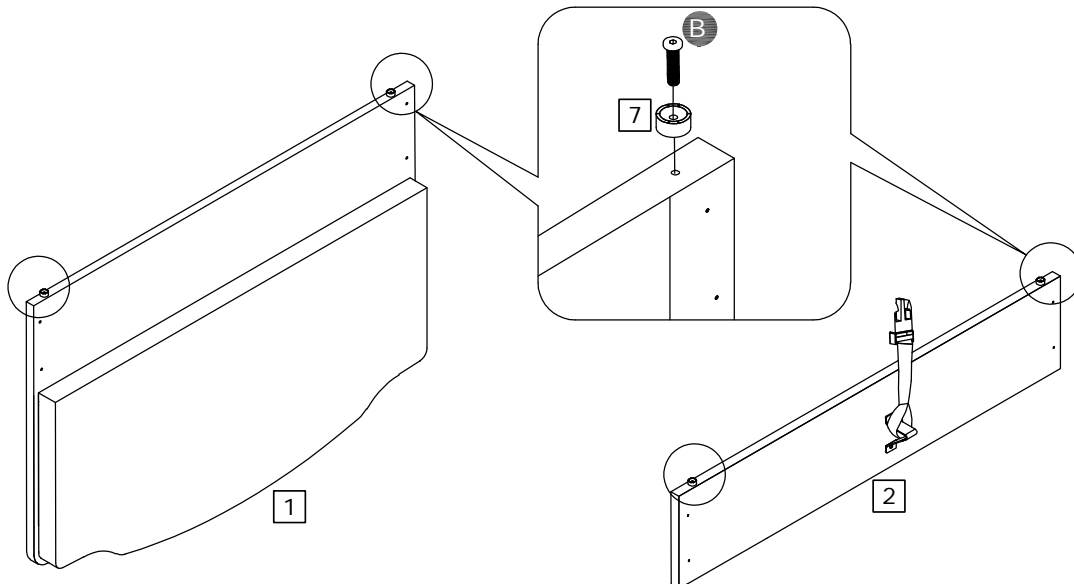
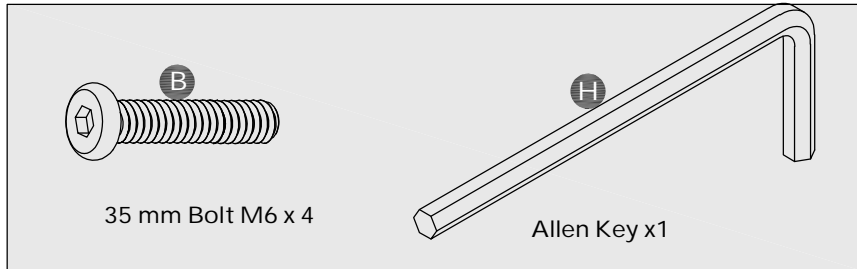


23 Bracket x3

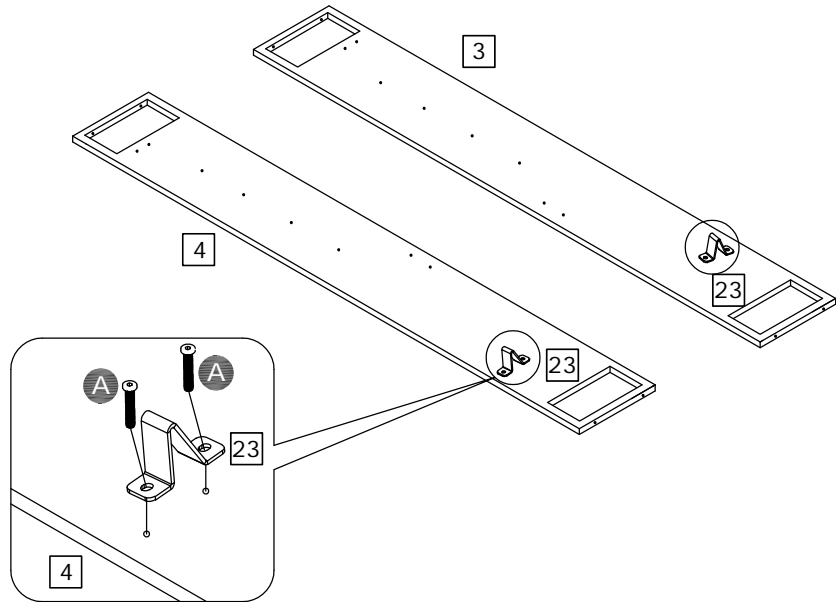
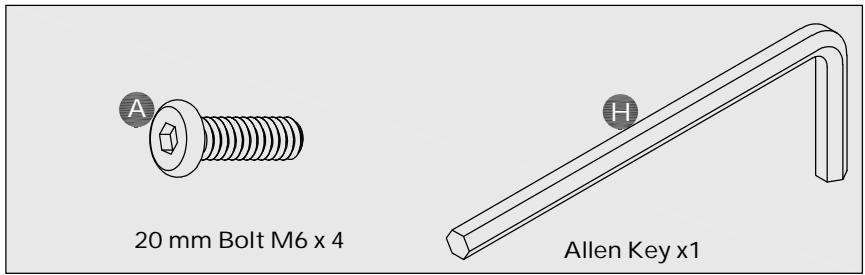
1



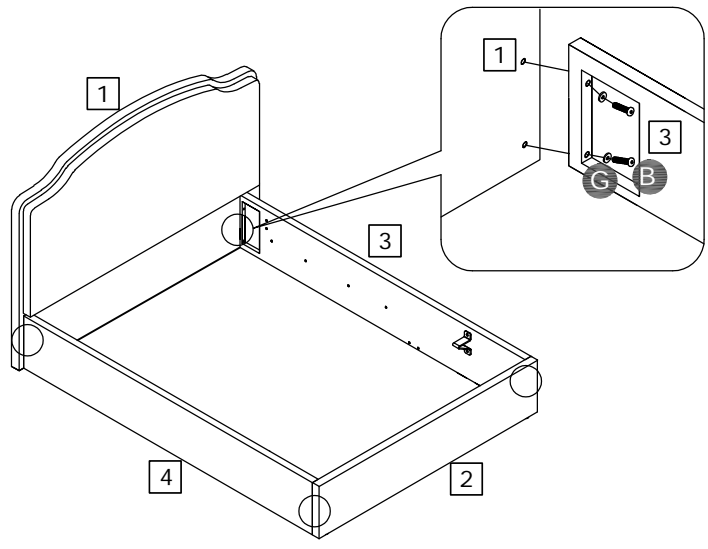
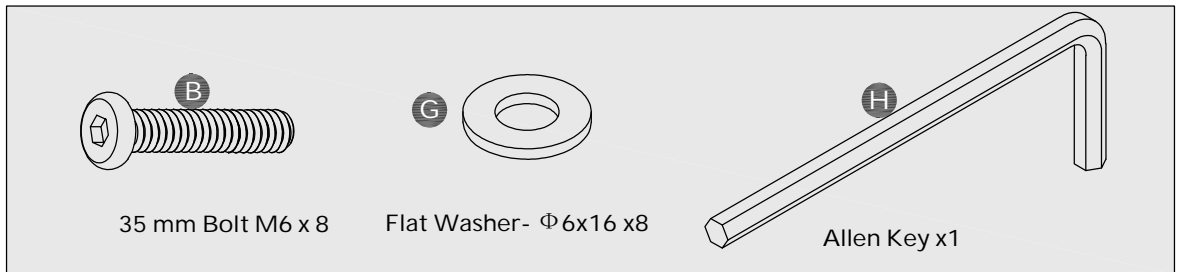
2



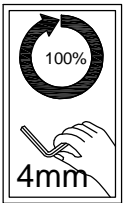
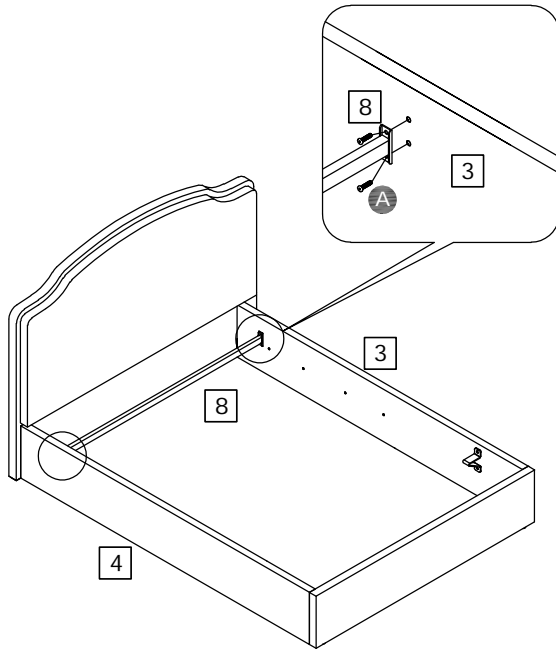
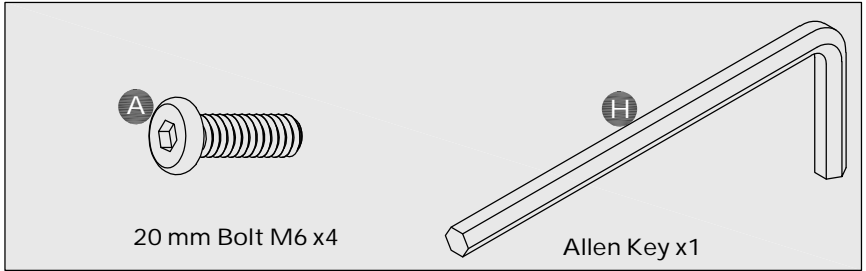
3



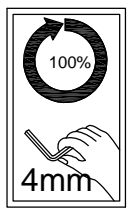
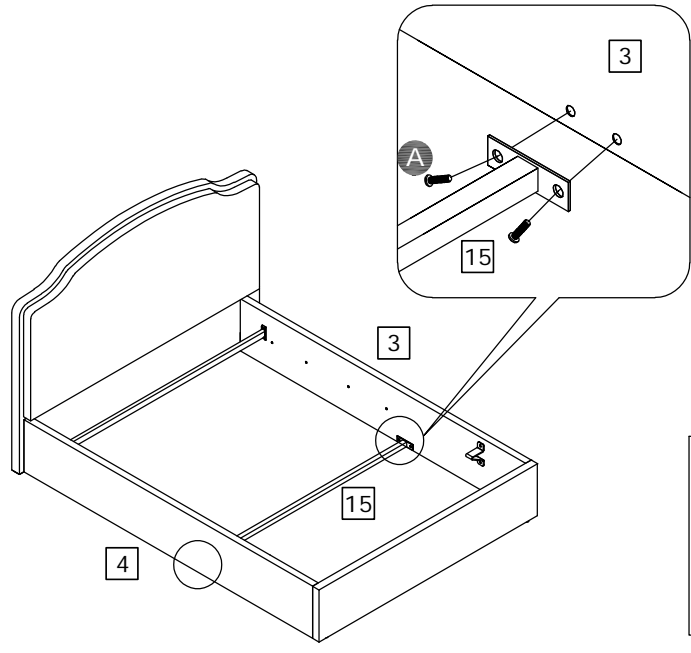
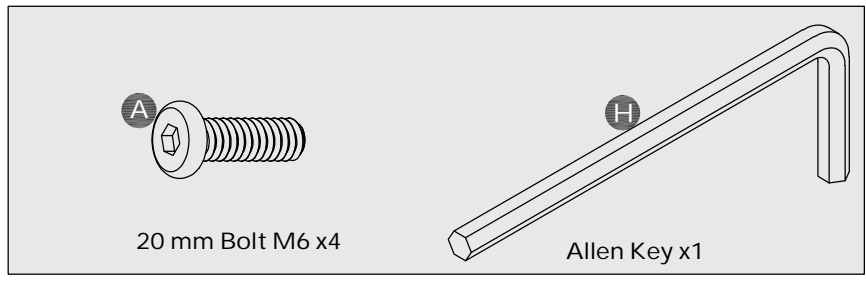
4



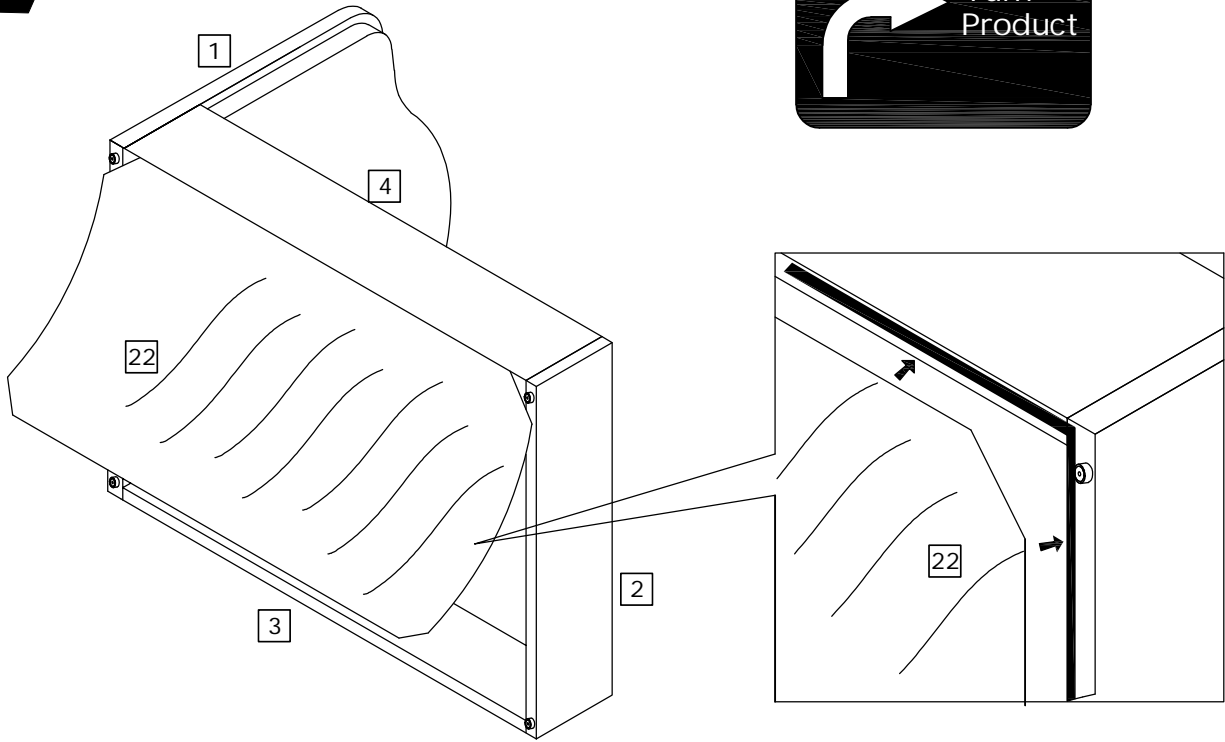
5



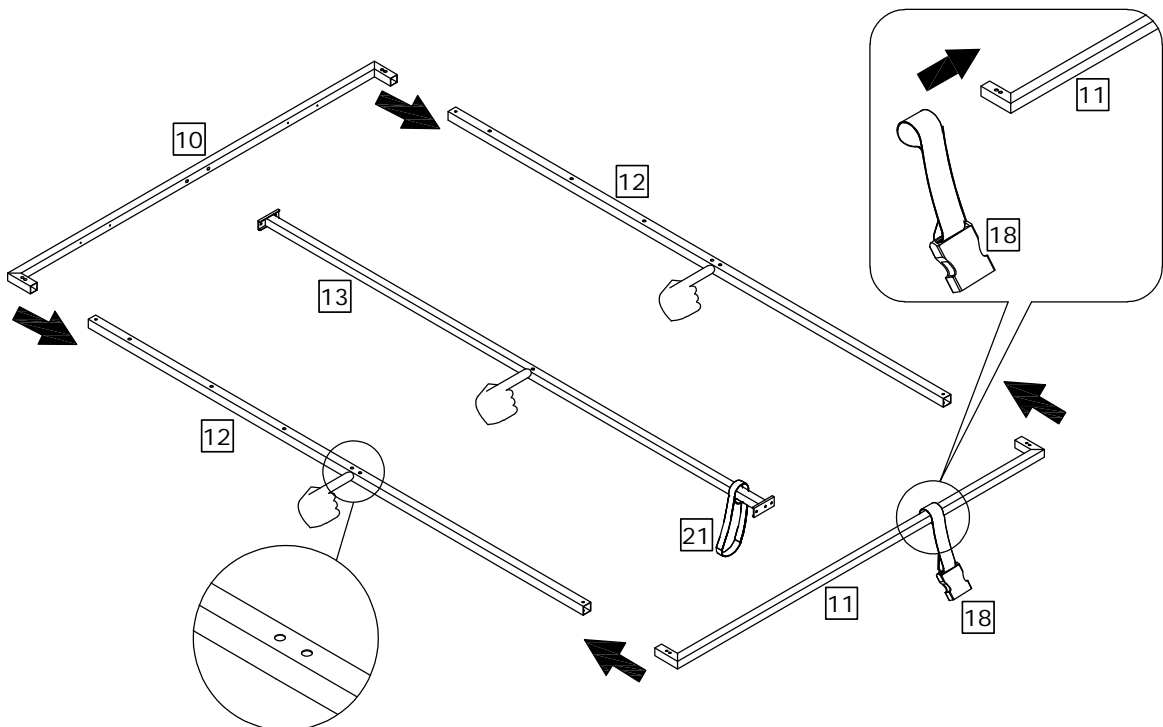
6



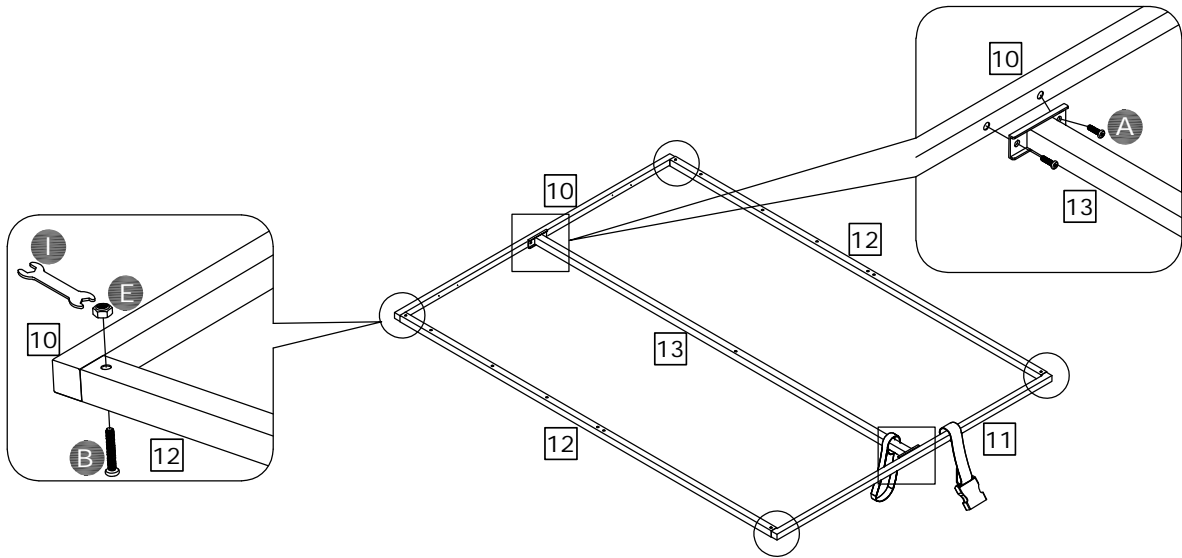
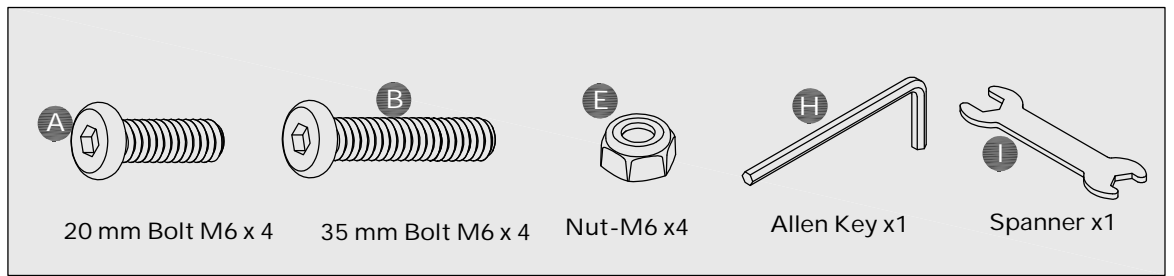
7



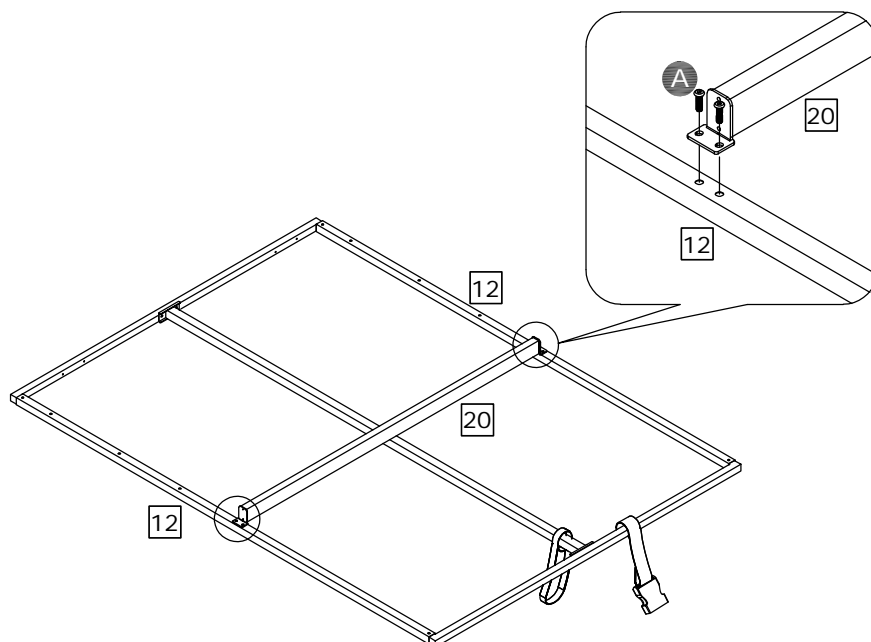
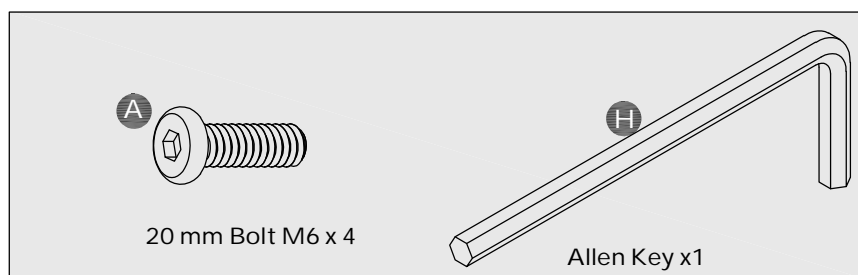
8



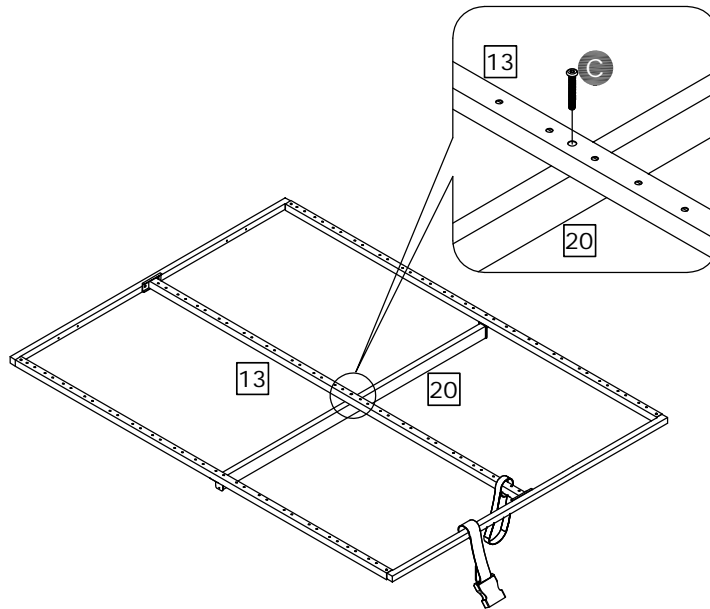
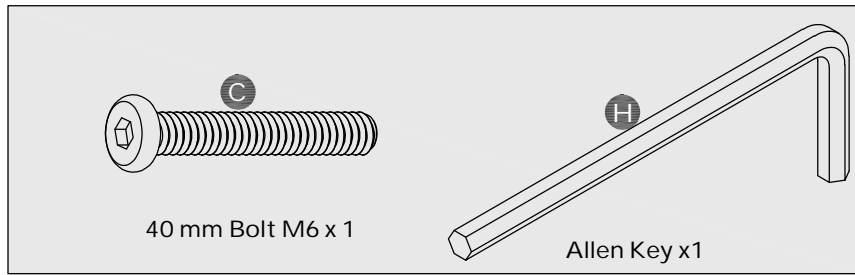
9



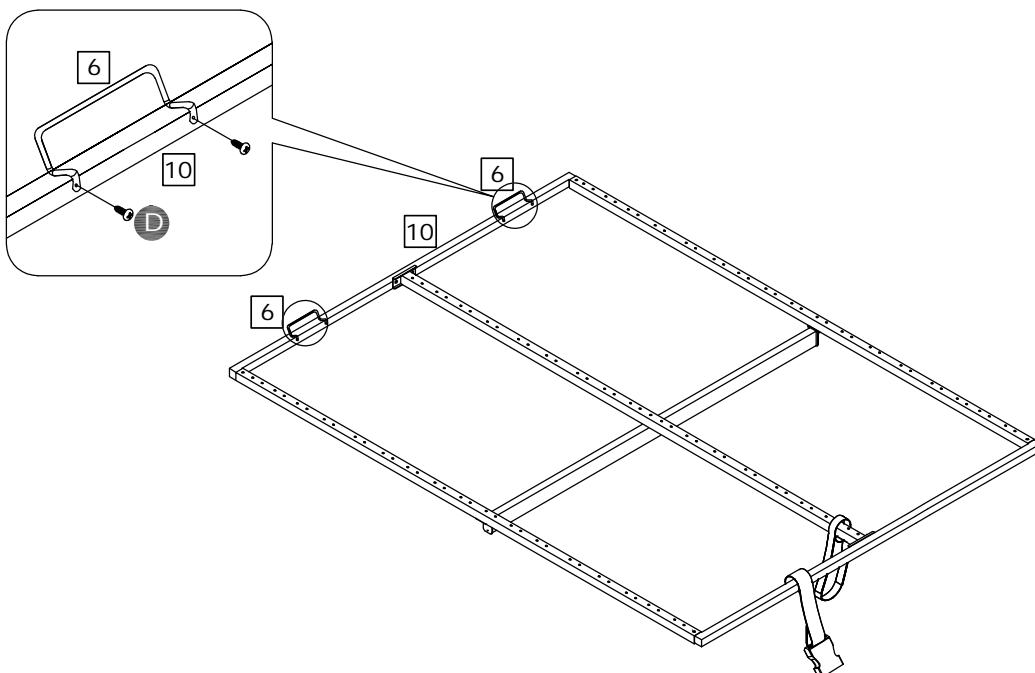
10



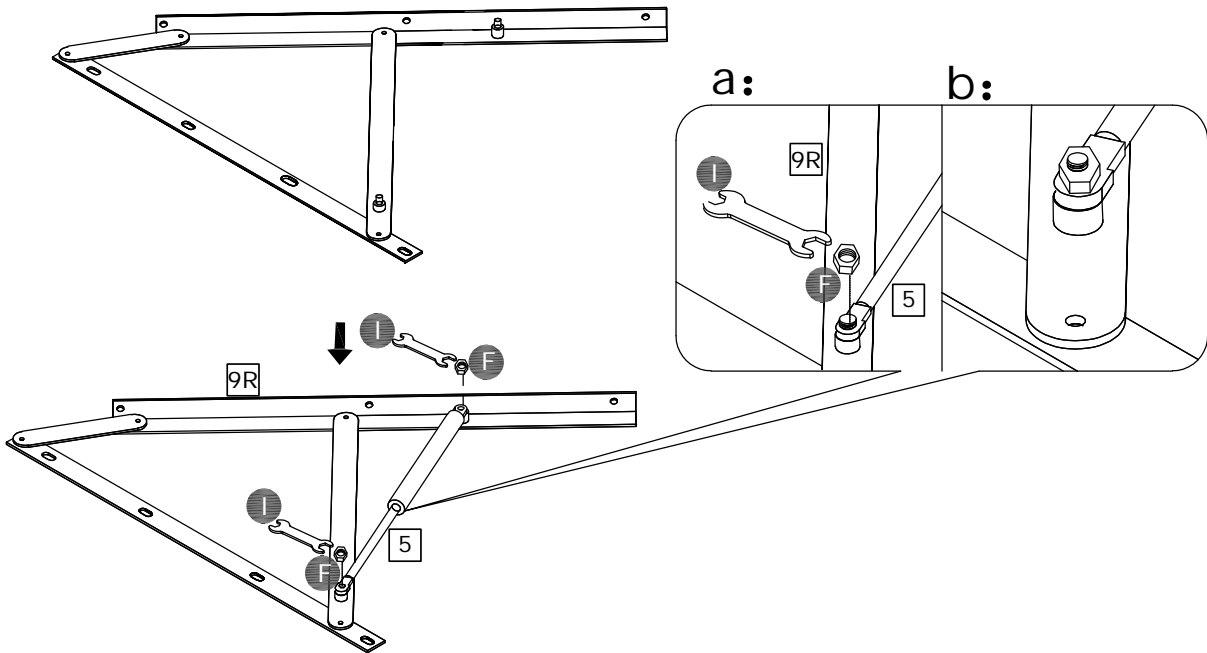
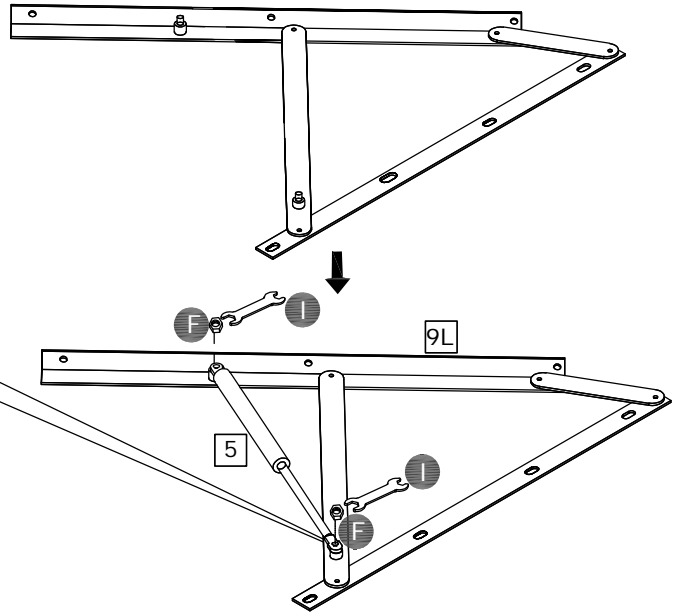
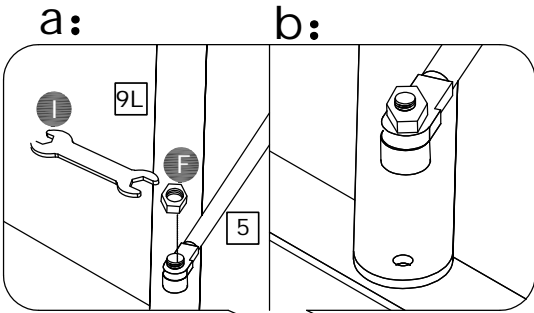
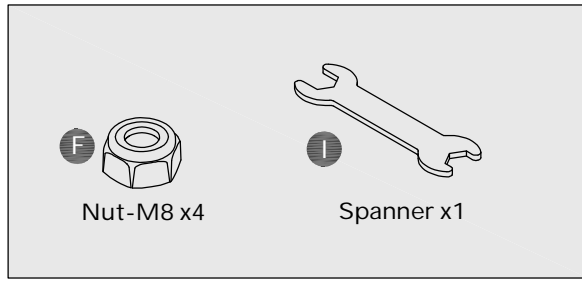
11



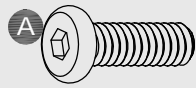
12



13



14



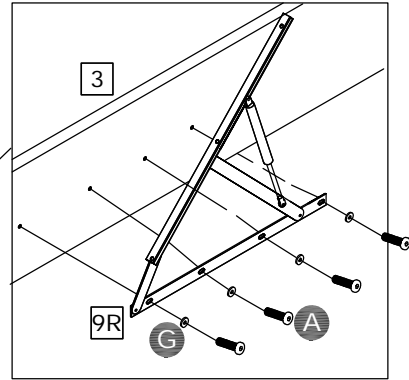
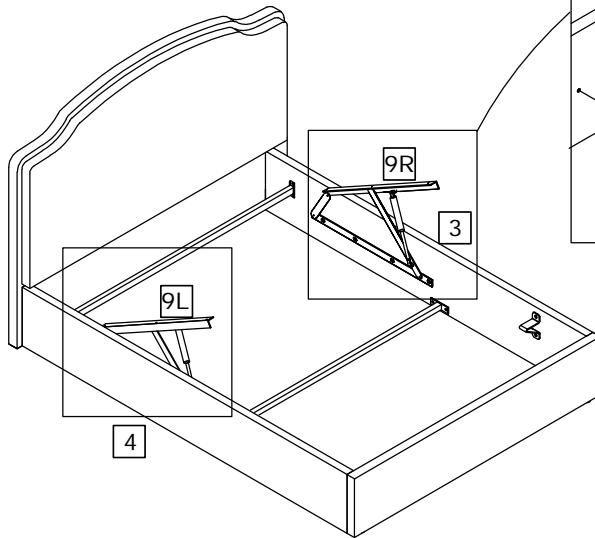
20 mm Bolt M6 x 8



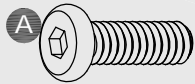
Flat Washer - Φ 6x16 x8



Allen Key x1



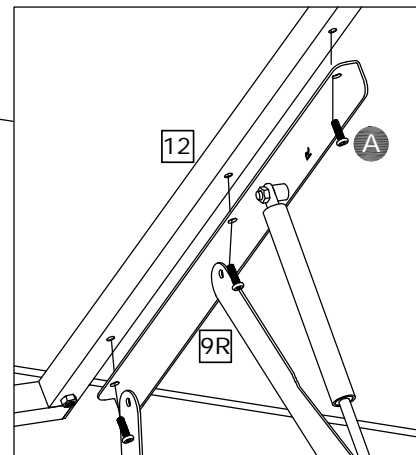
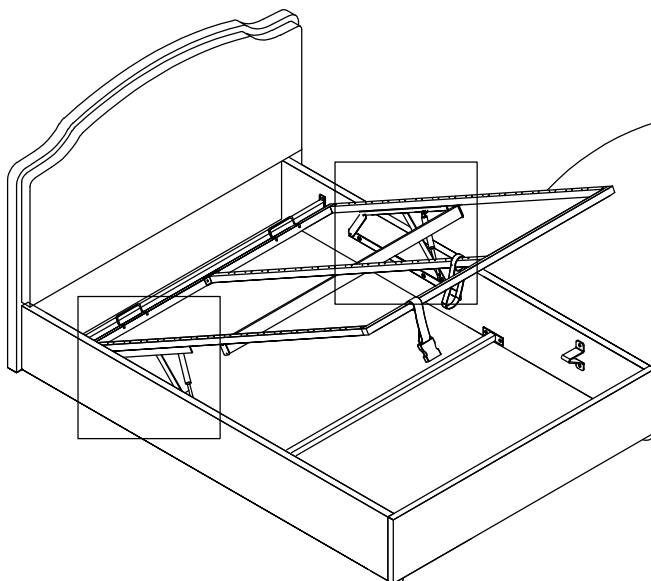
15



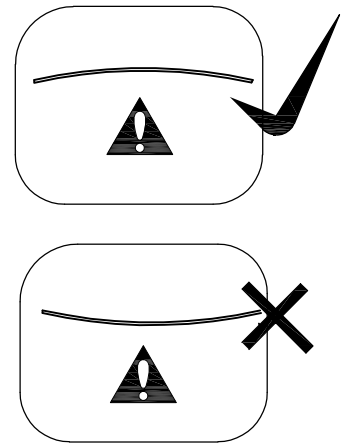
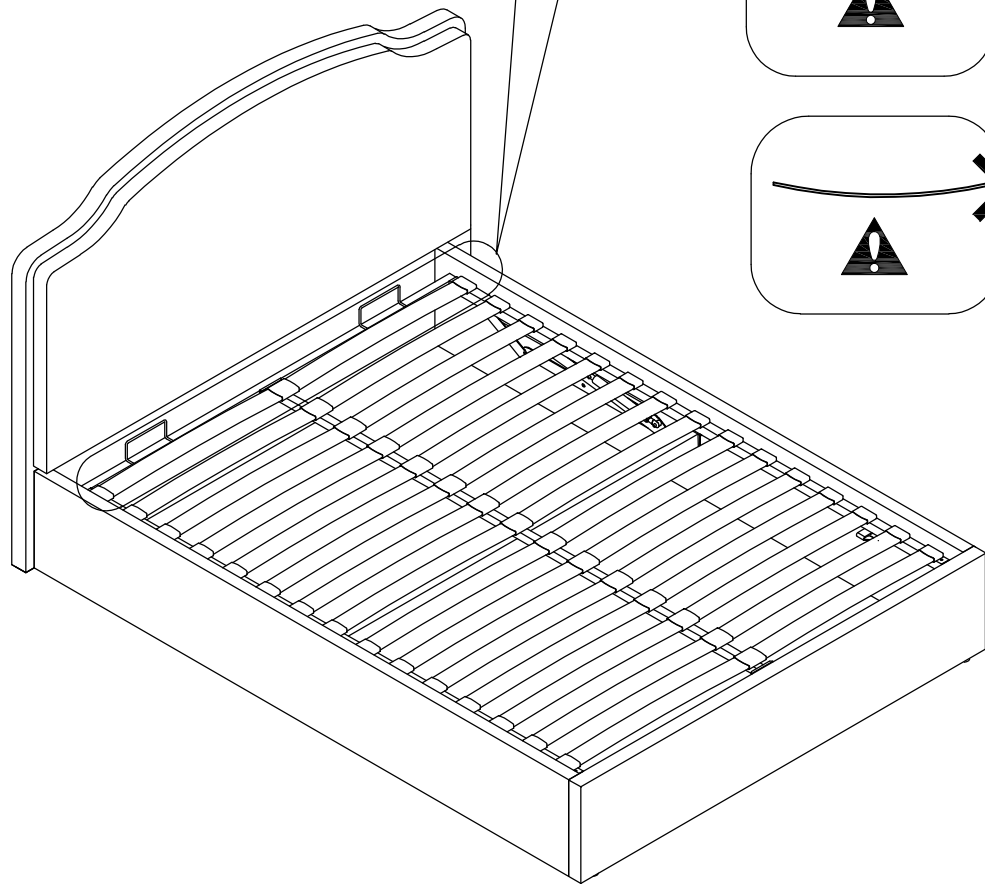
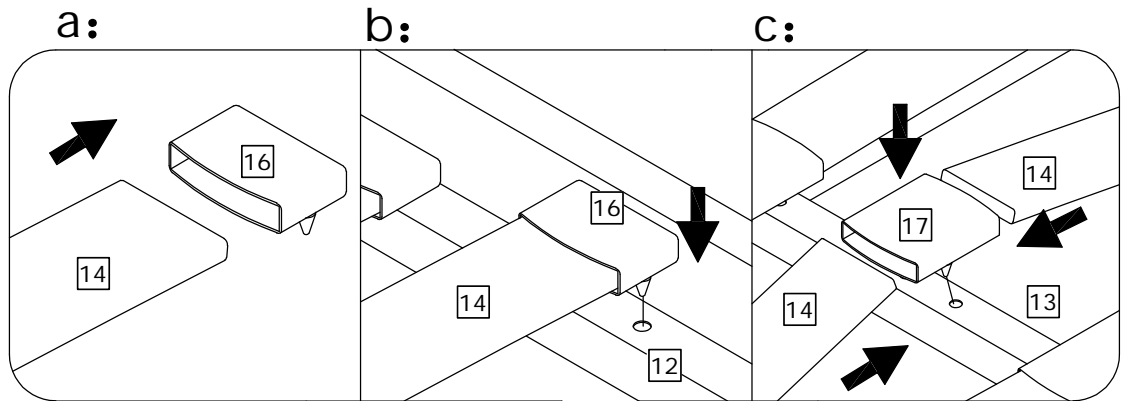
20 mm Bolt M6 x 6



Allen Key x1

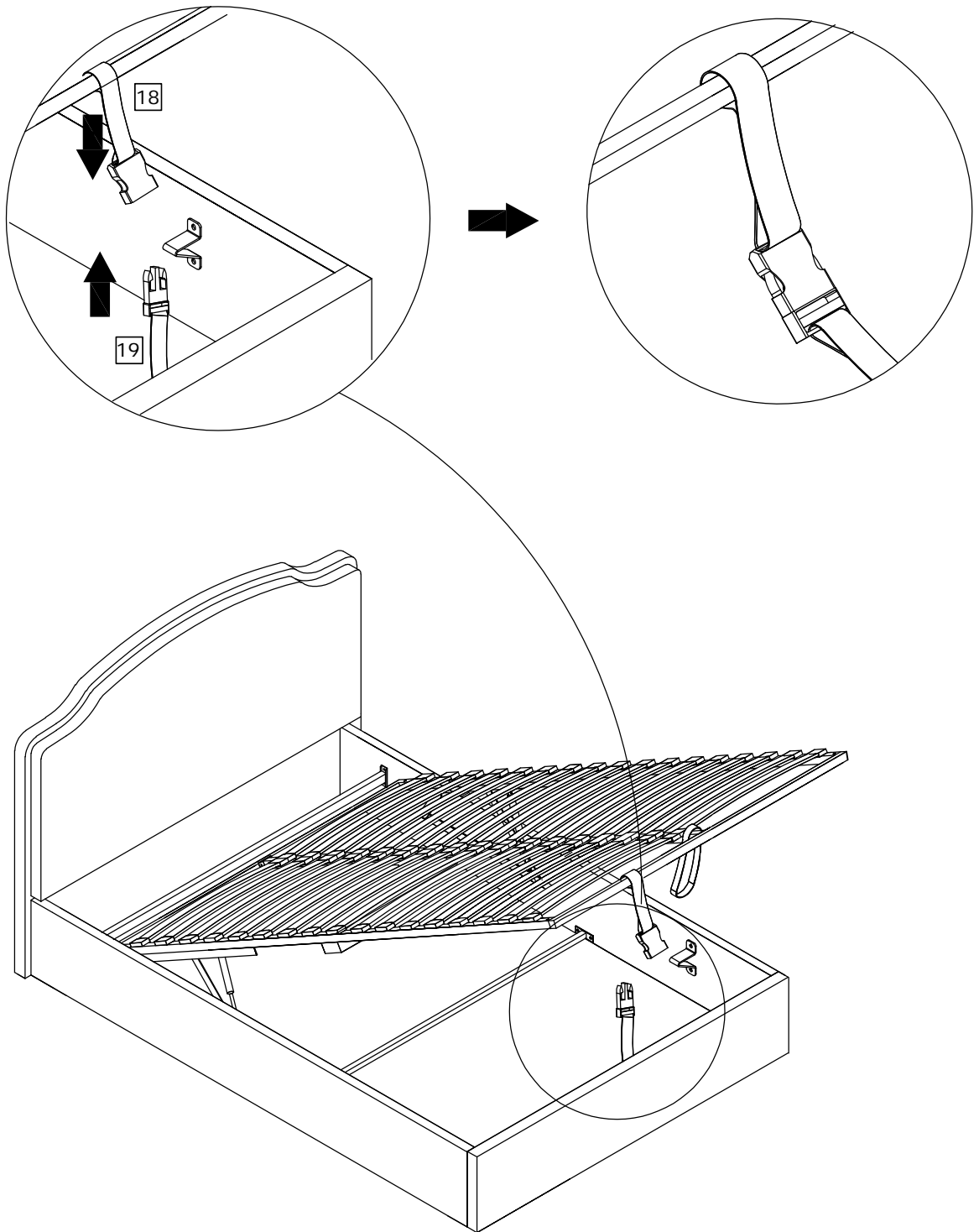


16



Assembly is complete

17



Technical Specifications

Overall Dimensions (LWH mm)

Small Double: 2055 x 1320 x 1145

Double: 2055 x 1490 x 1145

King: 2140 x 1640 x 1145

Internal Dimensions (LW mm)

Small Double: 1920 x 1210

Double: 1920 x 1380

King: 2005 x 1530

Distance between slats

Small Double: 74mm

Double: 71mm

King: 60mm

Slat Dimensions (LWH mm)

Small Double: 588 x 55 x 9

Double: 670 x 55 x 9

King: 747 x 55 x 9

