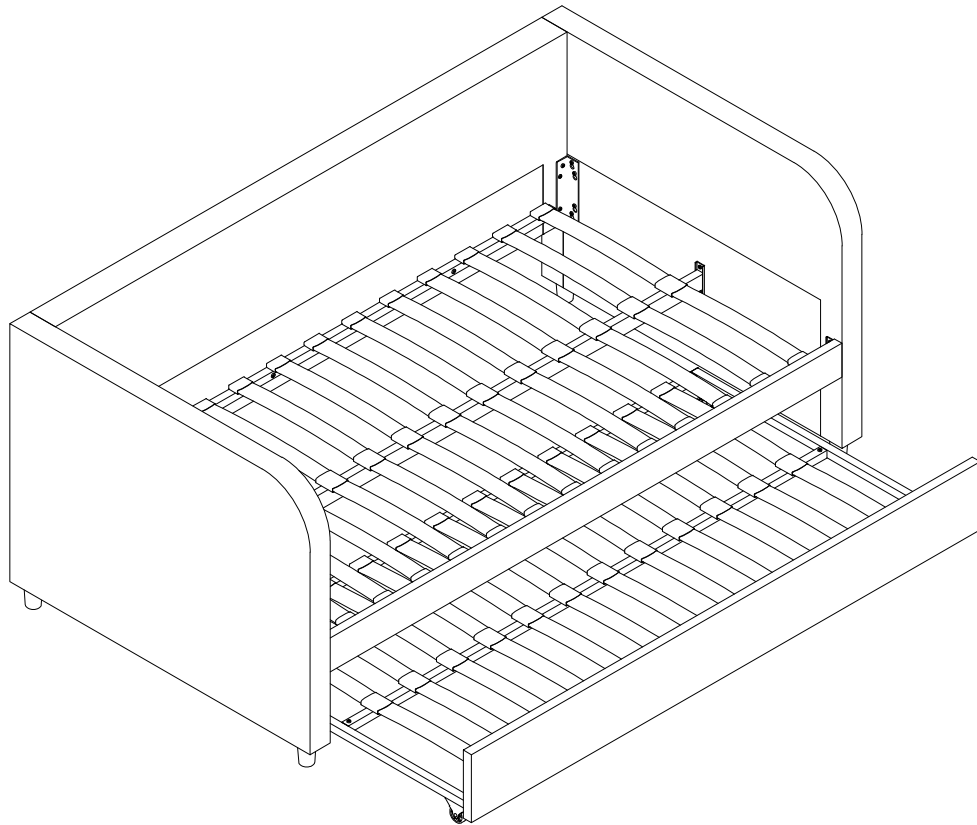



Chadwell


 habitat




Spare Parts

 www.argos-support.co.uk

 Help@ClickSpares.co.uk

 0370 112 1928

Customer Support

 0345 640 2020



Safety and Care Advice

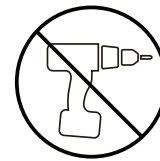
Product Details

CHADWELL GUESTBED W TRUNDLE 7738533/7820465

IMPORTANT, RETAIN FOR FUTURE REFERENCE : READ CAREFULLY.

- Keep children and animals away from the work area, small parts could choke if swallowed.
- Make sure you have enough space to layout the parts before starting.
- This product has been constructed to be used in the domestic environment only and not for commercial purposes.

- Assemble the item as close to its final position (in the same room) as possible.
- Assemble on a soft level surface to avoid damaging the unit or your floor.



- We do not recommend the use of power drill/drivers for inserting screws as this could damage the unit. Only use hand screwdrivers.
- Parts of the assembly will be easier with 2 people.
- Dispose of all packaging carefully and responsibly.

Care and maintenance

- Only clean using a damp cloth and mild detergent. Do not use abrasive cleaners.
- From time to time check that there are no loose screws, nuts or bolts. If there are please re-tighten.
- This product should not be discarded with household waste. Take to your local authority waste disposal centre.

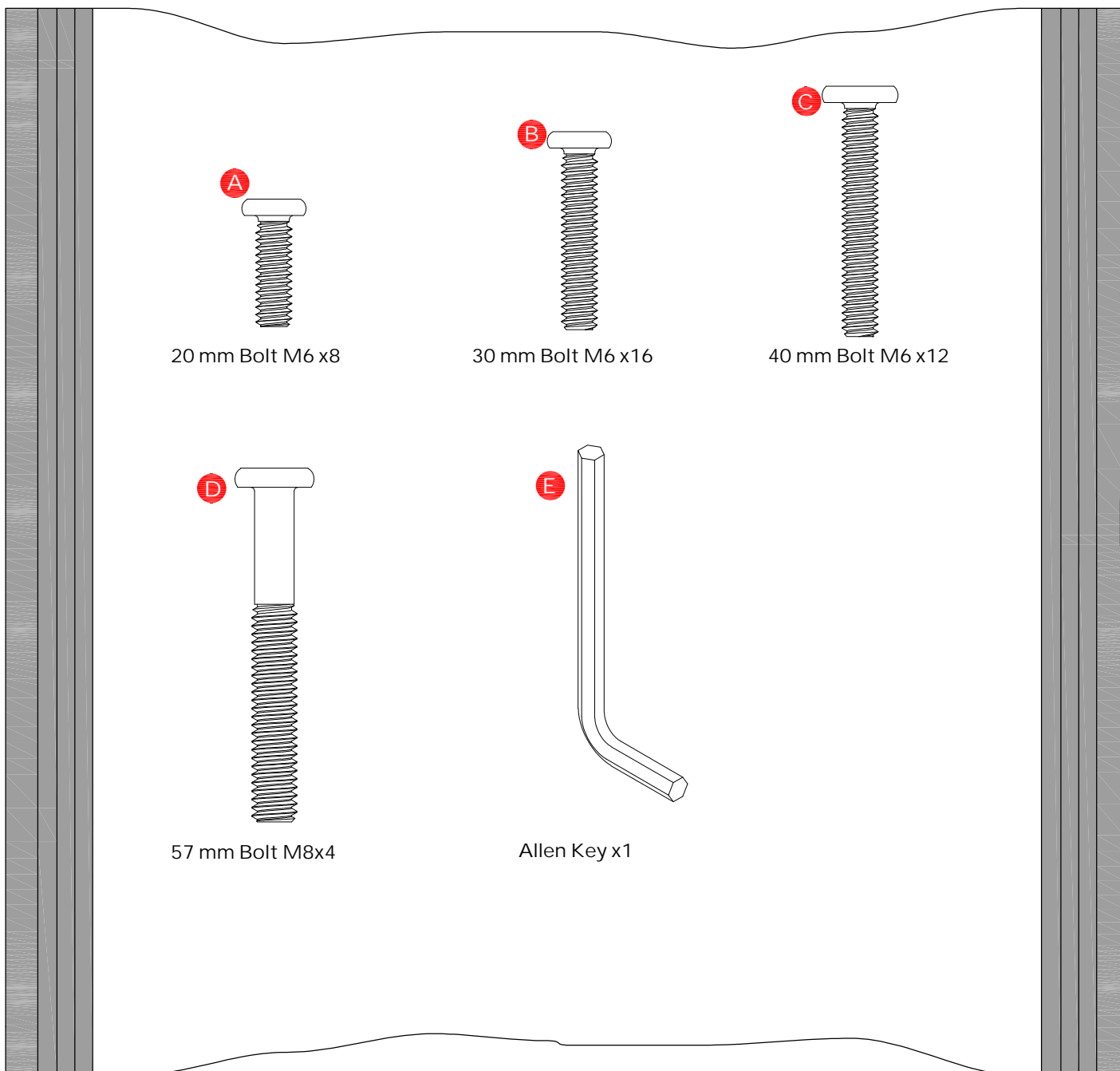
Additional Guidance

- Assemble all parts and bolts loosely during assembly, only once the product is complete should you fully tighten the bolts.
- Regularly check and ensure that all bolts and fittings are tightened properly.
- Any additional or replacement parts are obtained from the manufacturer.
- Age recommendation: Adult bed, 13 years and over.
- Maximum user weight 100kg.
- This product is compliant BSEN1725:2023.
- The mattress size follow below:

	Mattress Size
Single	Width 90 x Length 190 cm
Small Double	Width 120 x Length 190 cm
Double	Width 135 x Length 190 cm
King	Width 150 x Length 200 cm
Super King	Width 180 x Length 200 cm

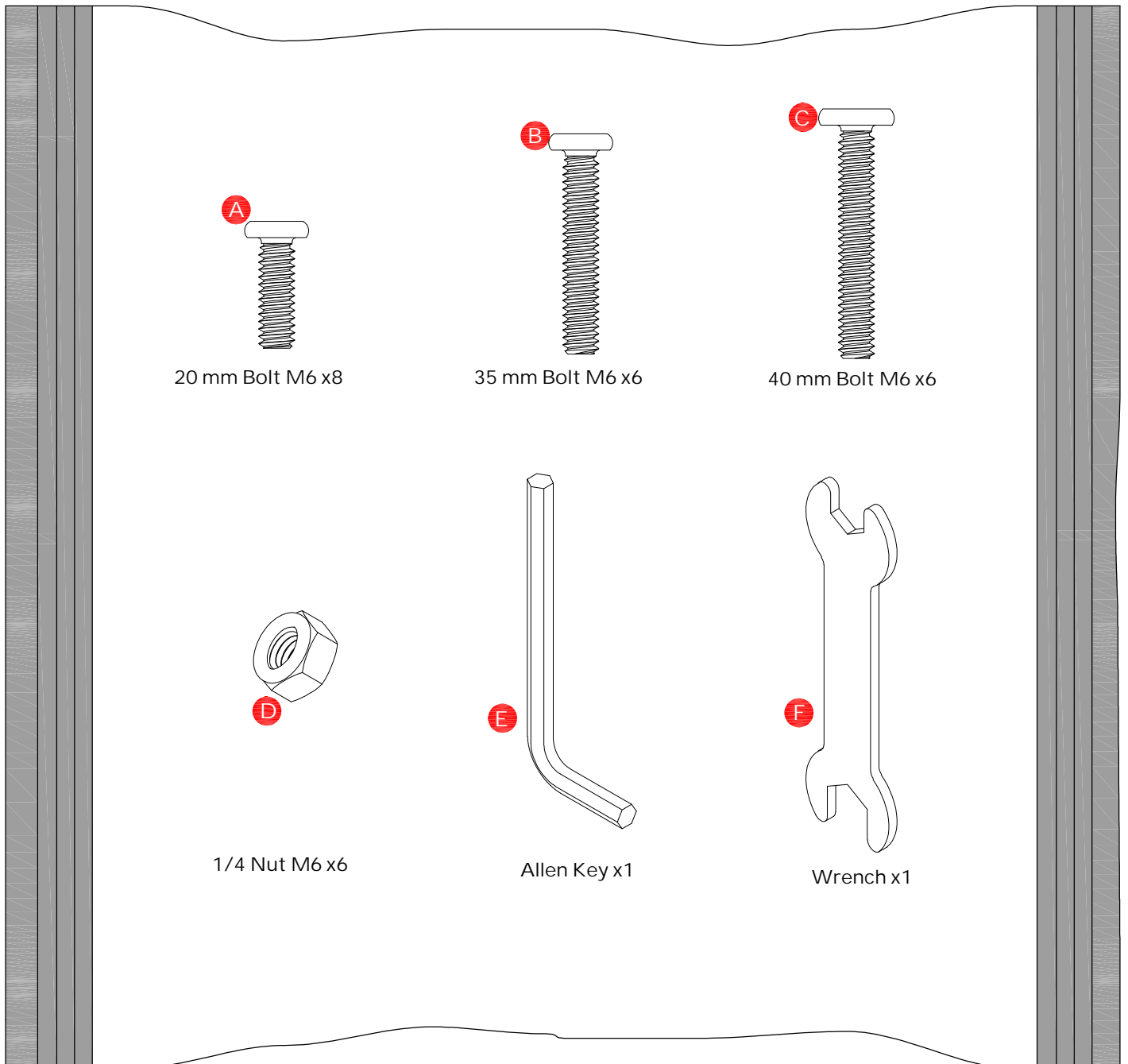
Fittings (Shown to scale)

Day bed Bag

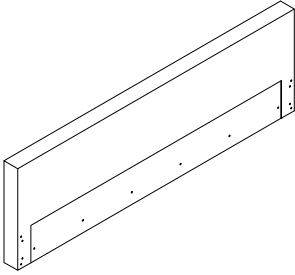


Fittings (Shown to scale)

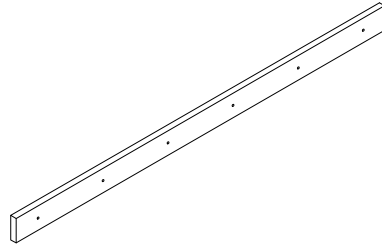
Trundle Bag



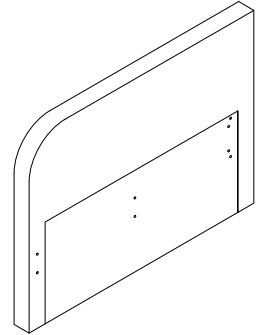
Panels



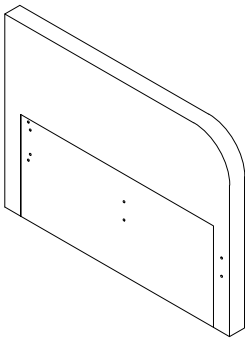
1 Backrest x1
(1915 X 610mm)



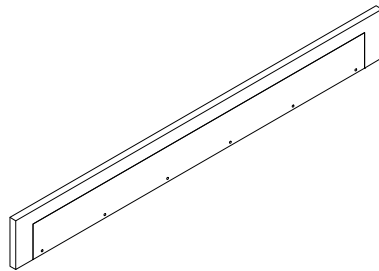
2 Font Panel x1
(1913 X 110 mm)



3 Armrest x1
(1015 X 830 mm)

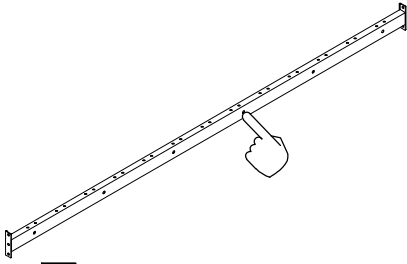


4 Armrest x1
(1015 X 830 mm)

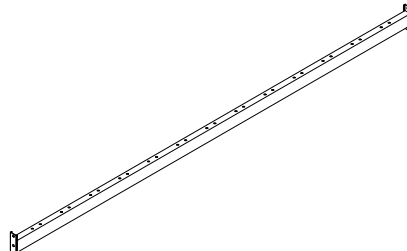


7 Front Panel x1
(1904 X 225 mm)

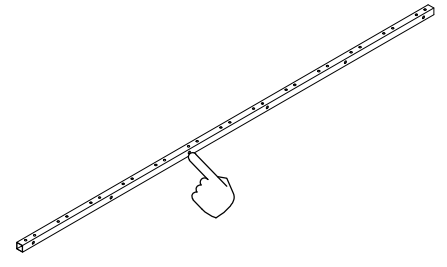
Hardware



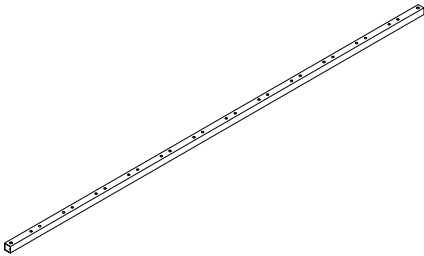
5 Front Rail x1
(1915 mm)



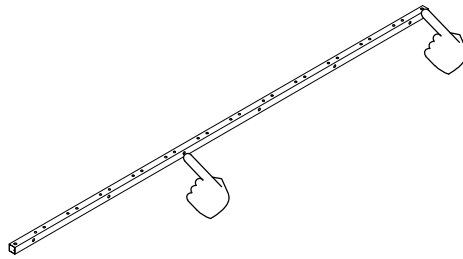
6 Center Rail x1
(1915 mm)



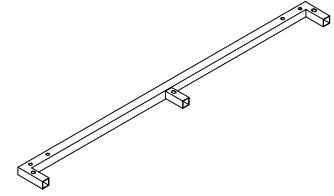
11 Rear Rail x1
(1781mm)



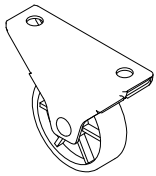
9 Rear Rail x2
(1790 mm)



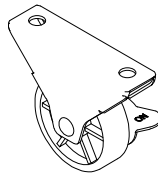
10 Front Rail x 1
(1790 mm)



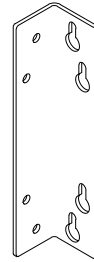
8 Side Rail x2
(911 mm)



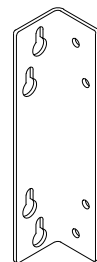
15 Castor x2



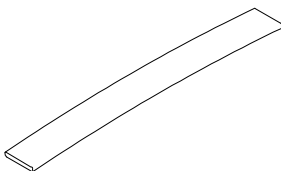
18 Locking Castor x2



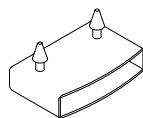
12 Bracket x1
(200mm)



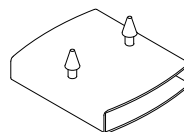
13 Bracket x1
(200mm)



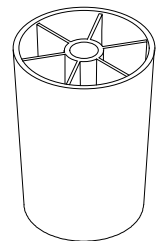
14 Wooden Slats x50
(454 mm)



16 Single Slat Cap x50

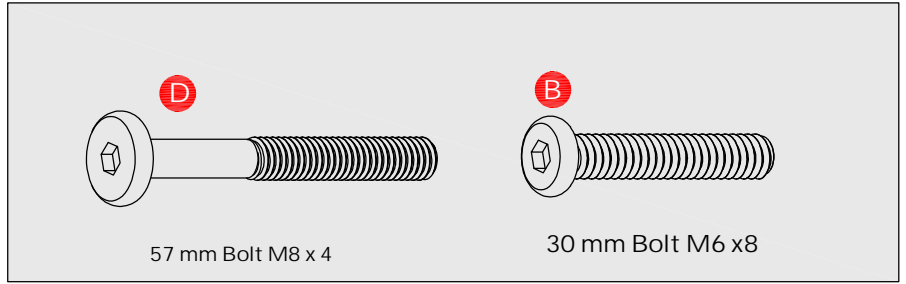
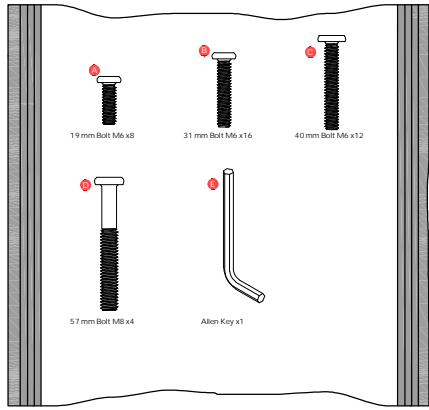


17 Double Slat Cap x25

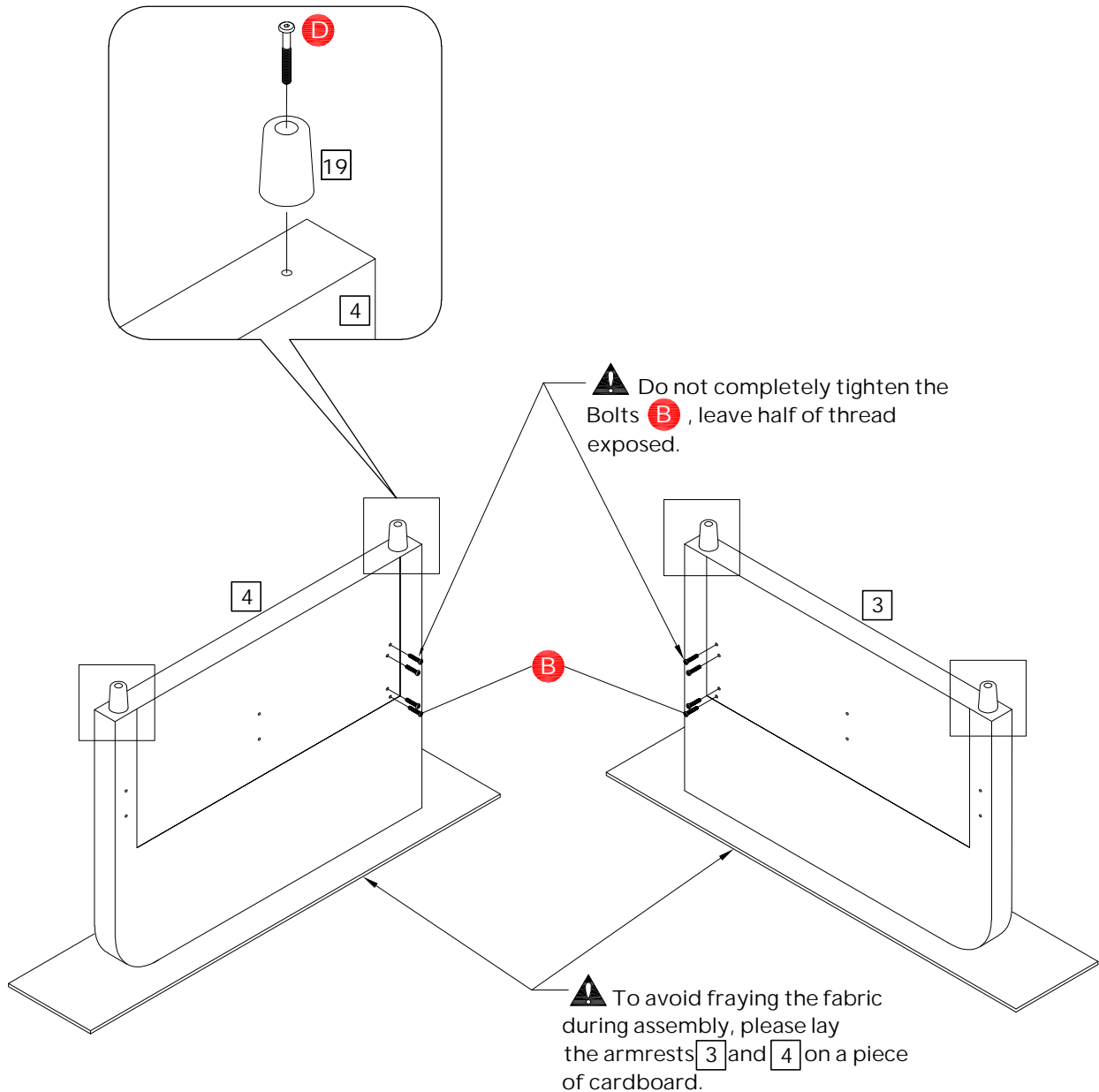


19 Leg x4
(70 mm)

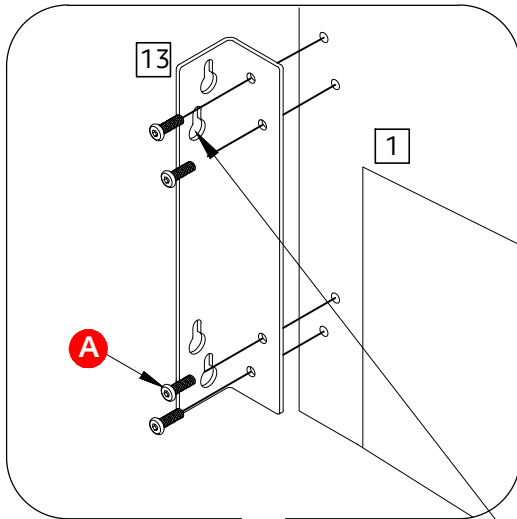
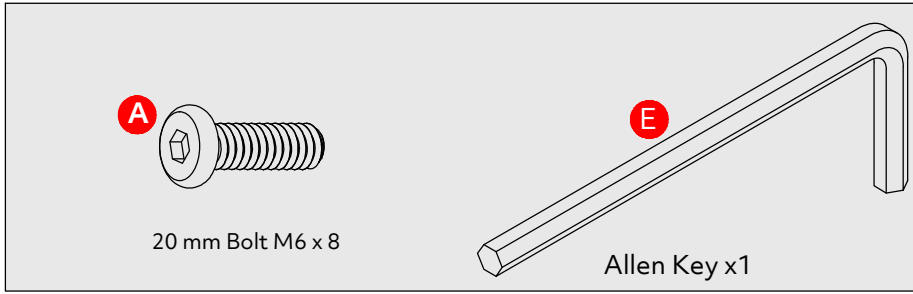
1



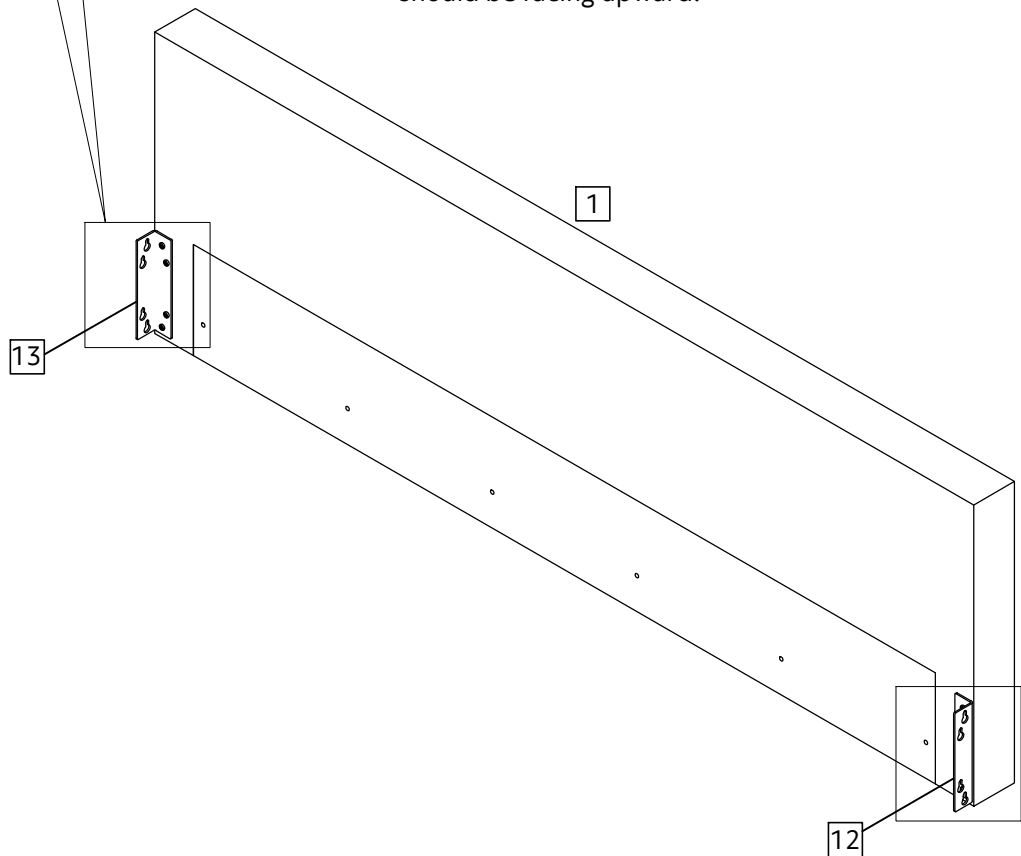
Day bed Bag



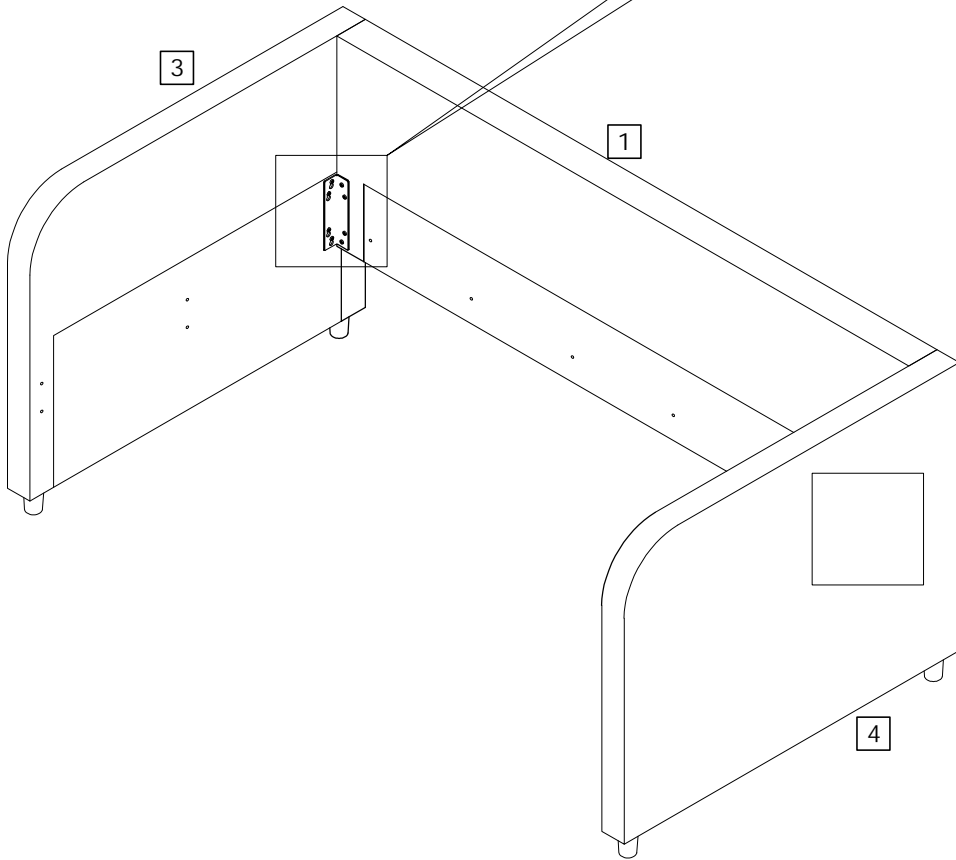
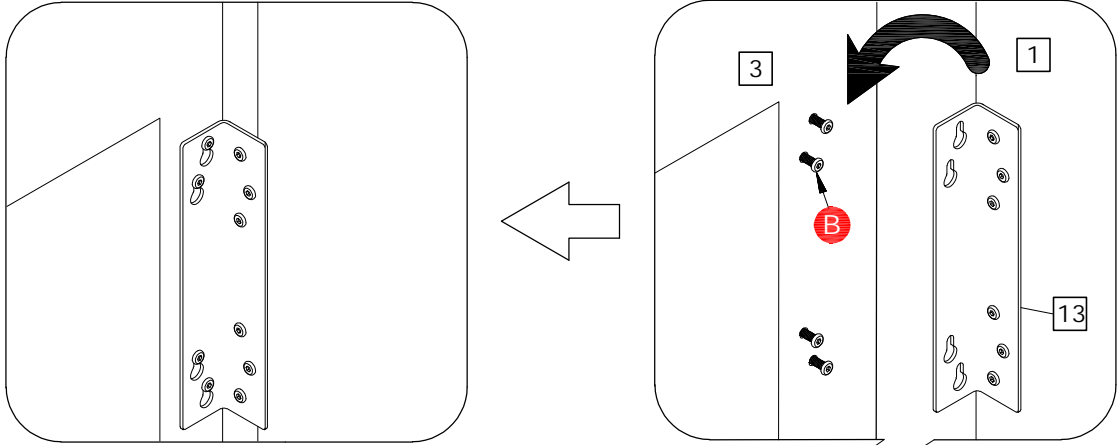
2



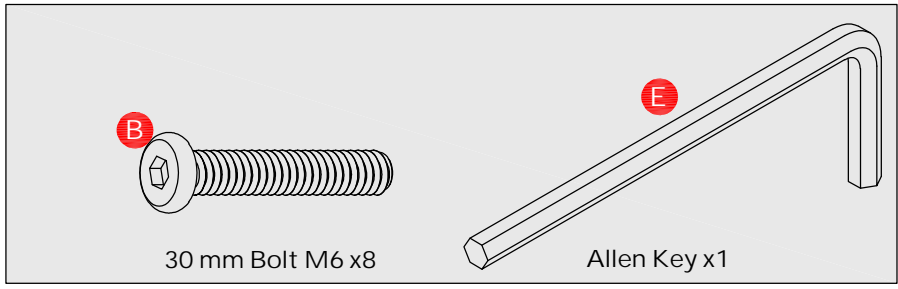
⚠ Small holes on 12 & 13 should be facing upward.



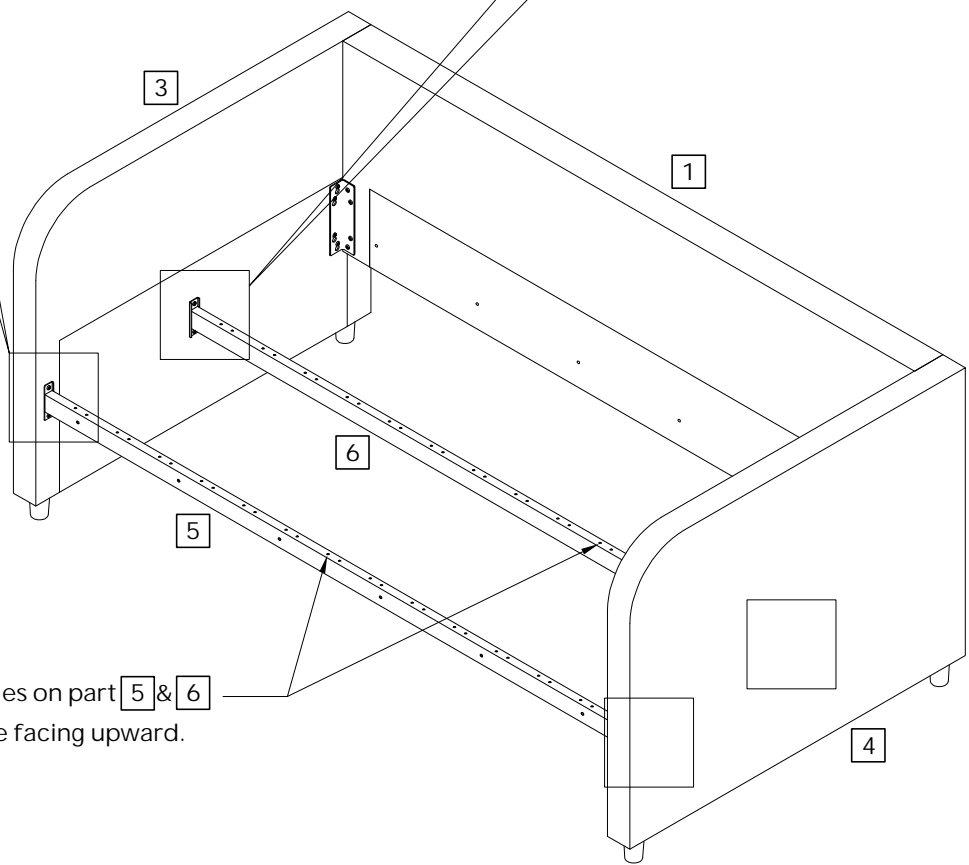
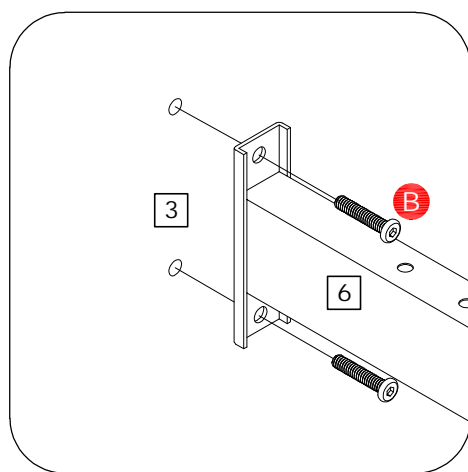
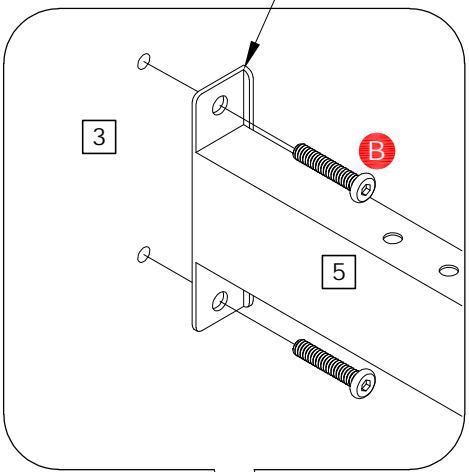
3



4

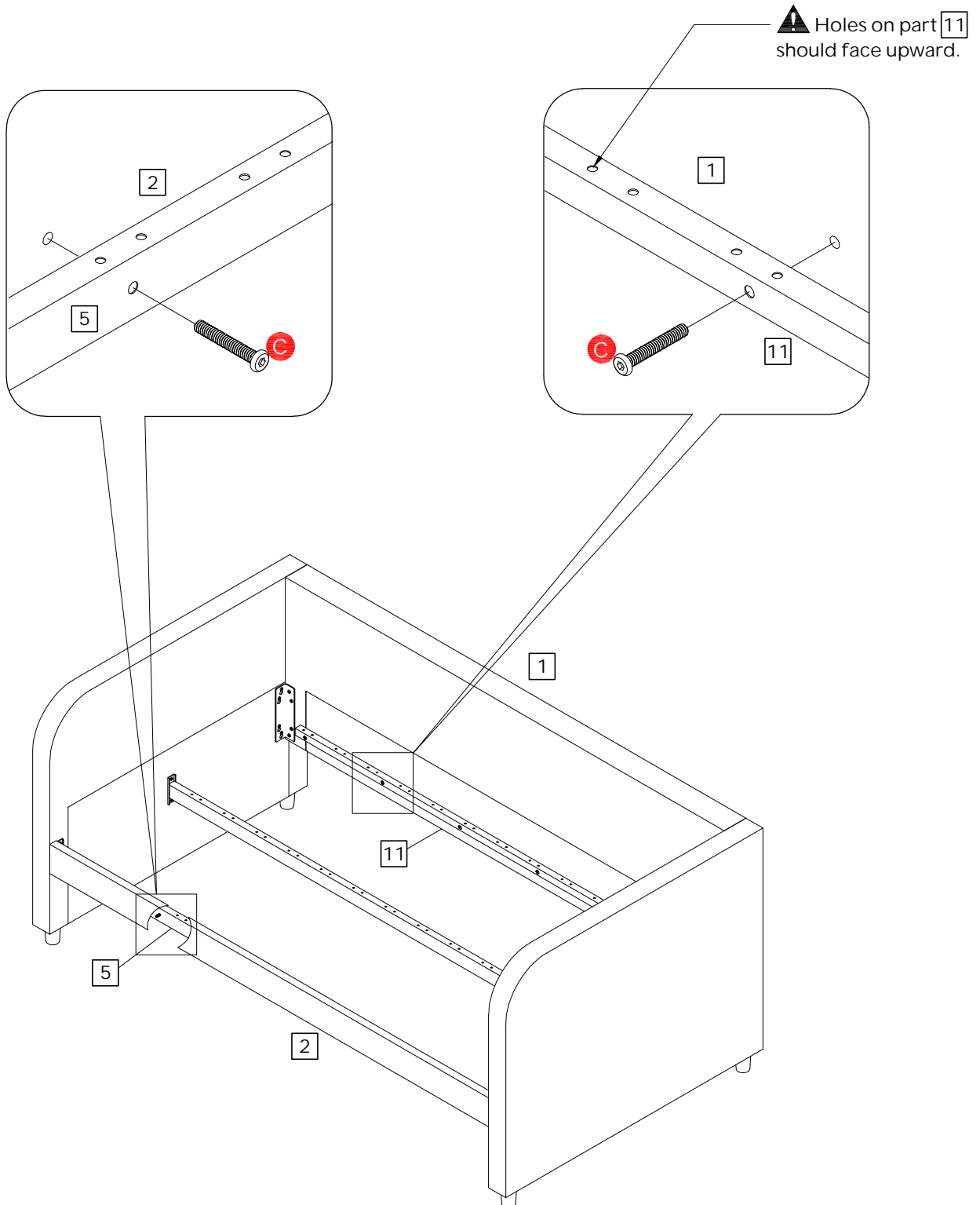
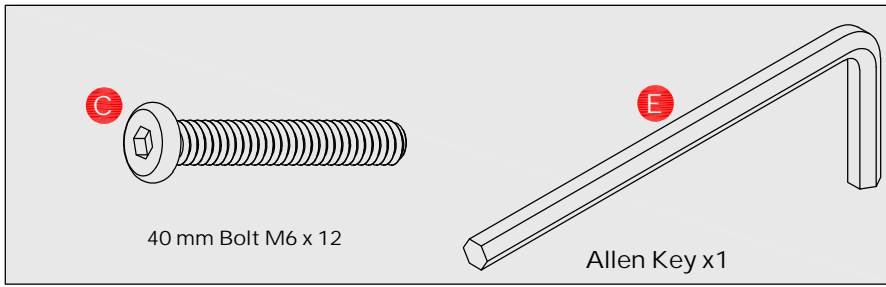


⚠ Flange of bracket on [5] must be located on the inside of the bed.

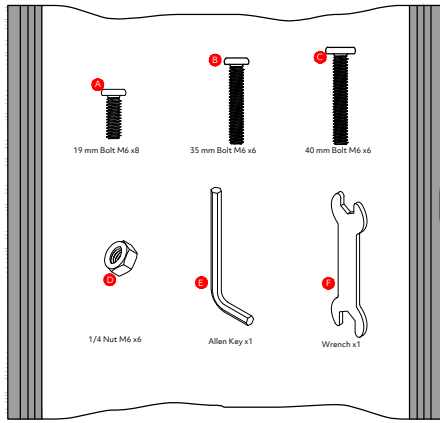


⚠ Slat holes on part [5] & [6] should be facing upward.

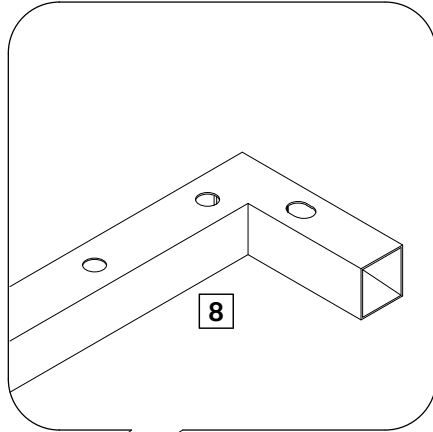
5



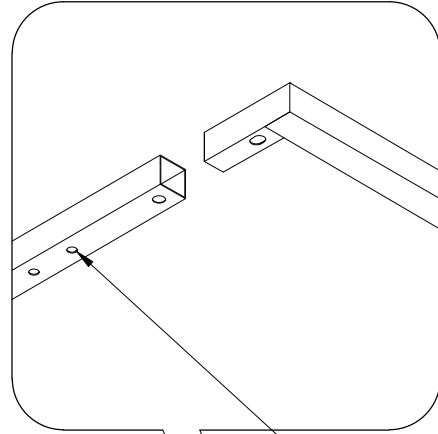
7



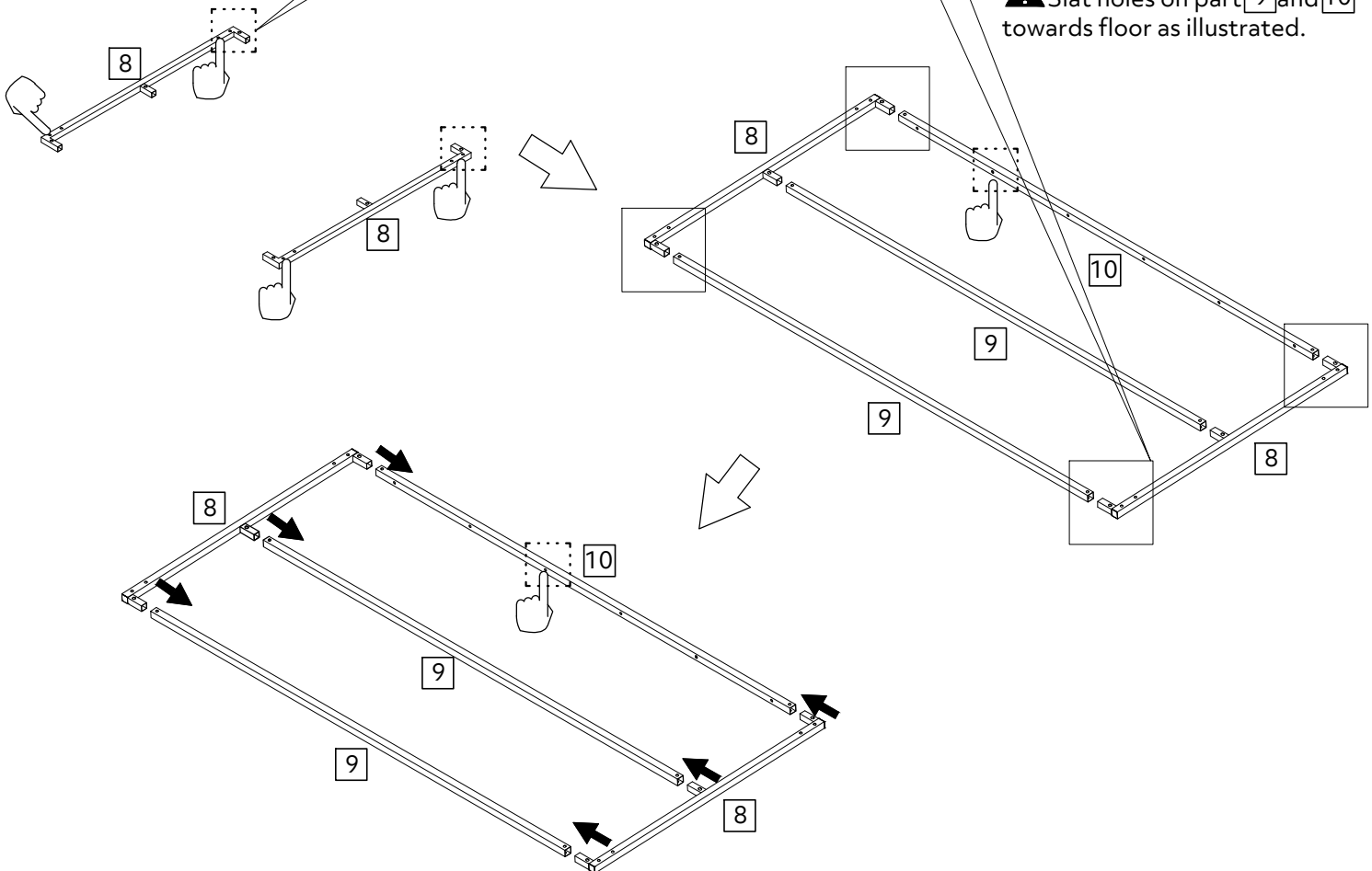
Trundle Bag



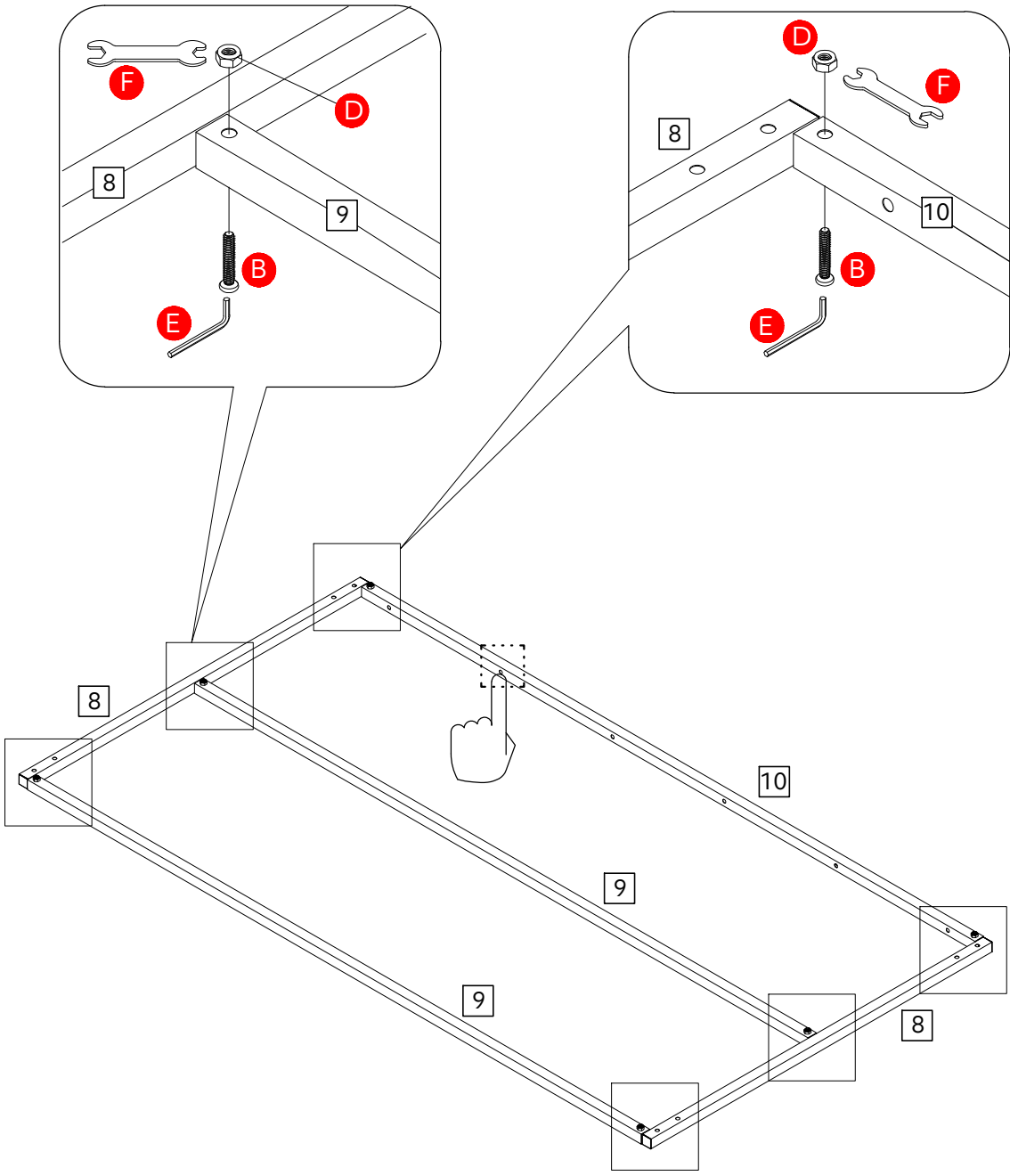
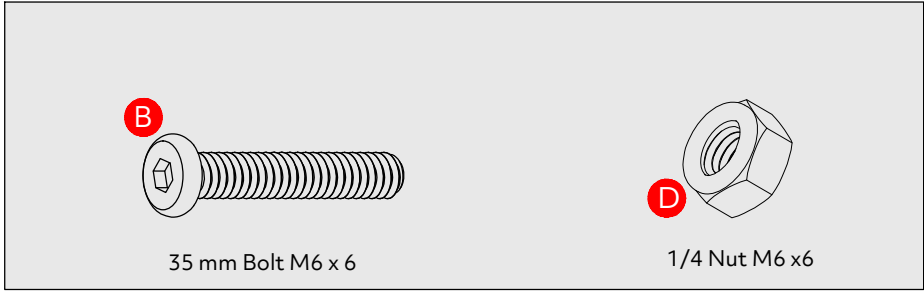
⚠ Caster holes on **8** towards upward.



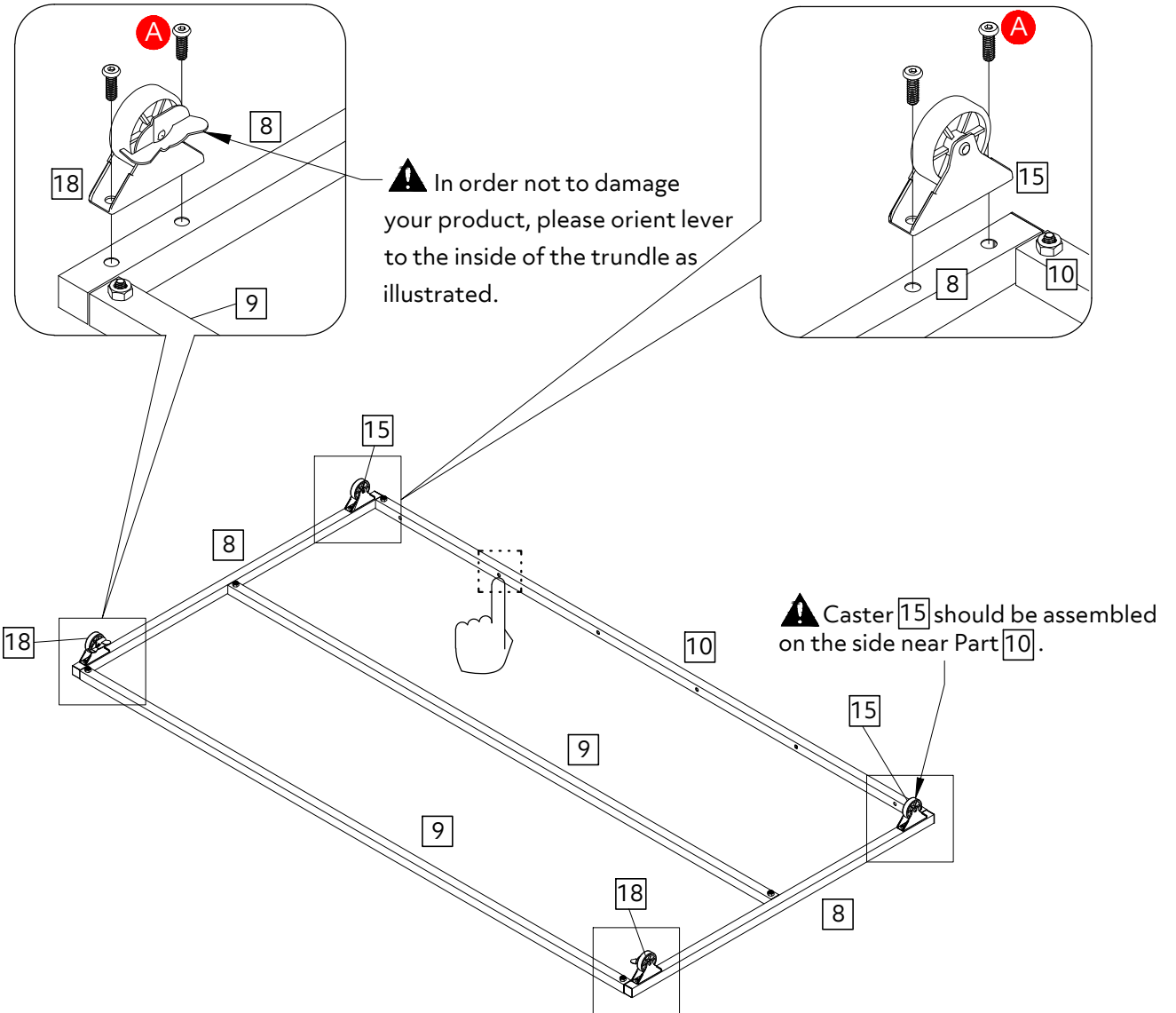
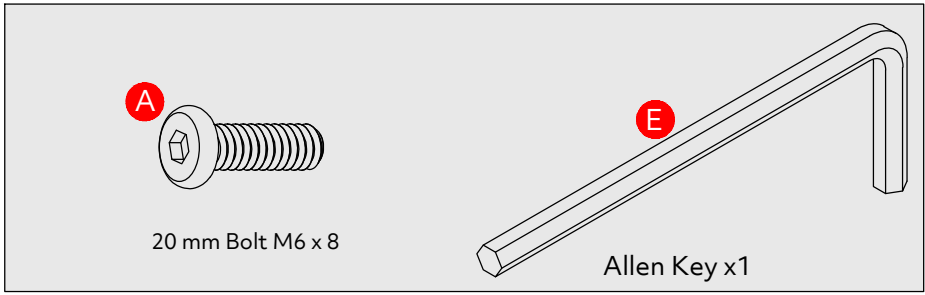
⚠ Slat holes on part **9** and **10** towards floor as illustrated.



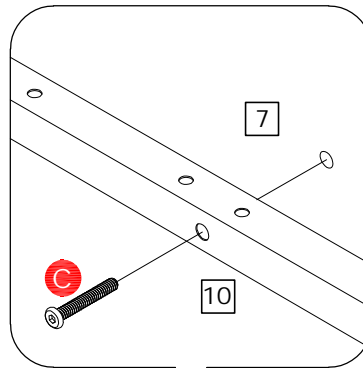
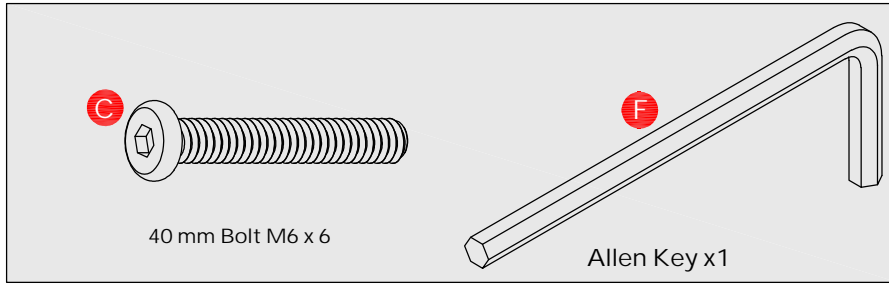
8



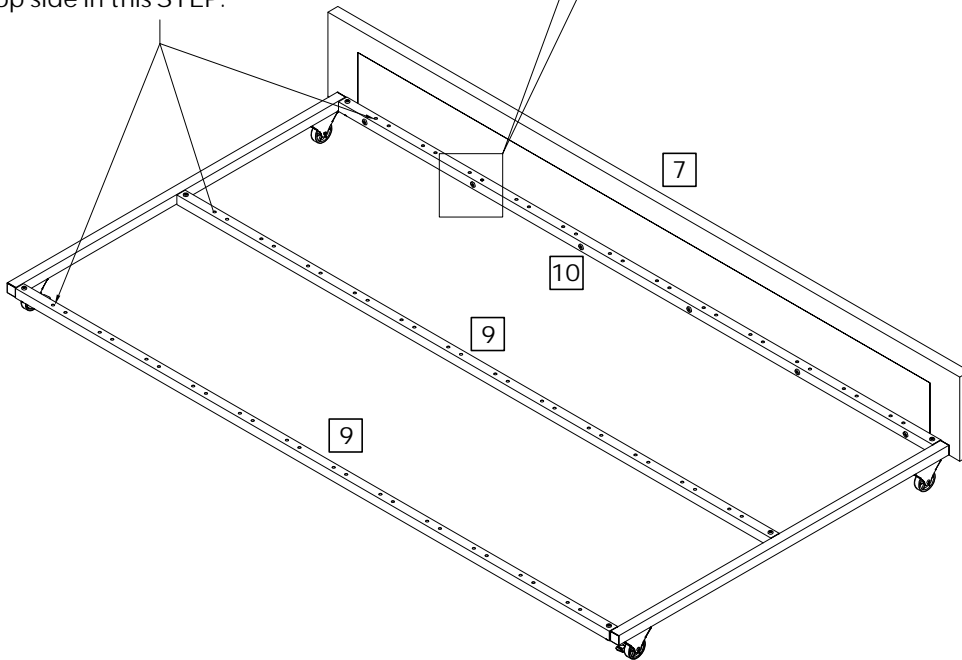
9



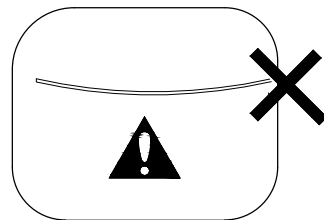
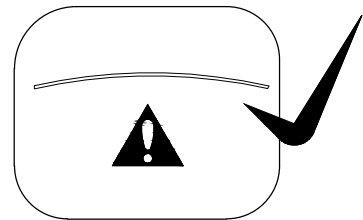
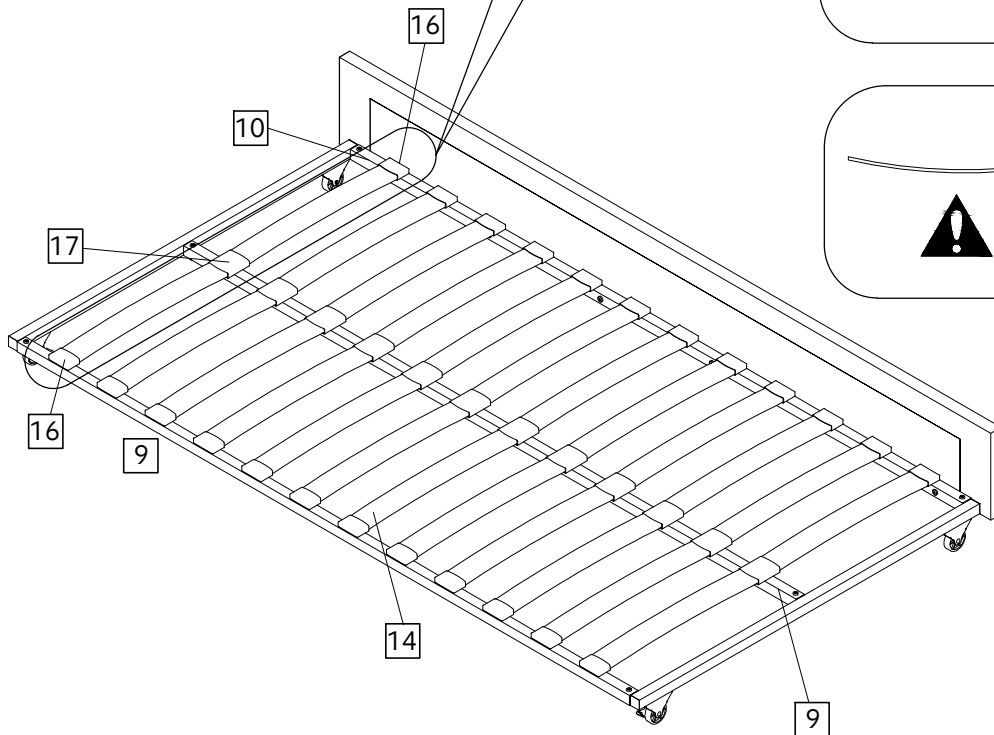
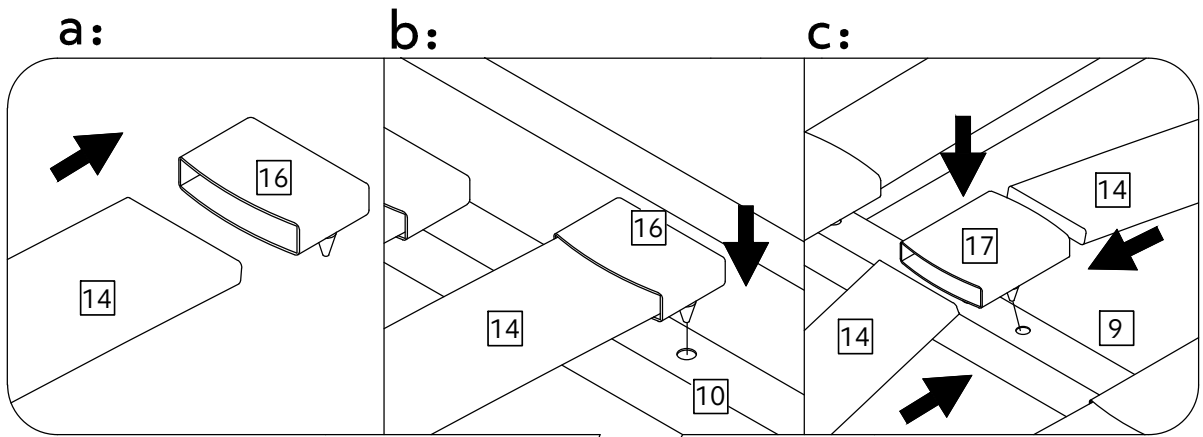
10



⚠ Check if slat holes on **9** & **10** are all on the top side in this STEP.

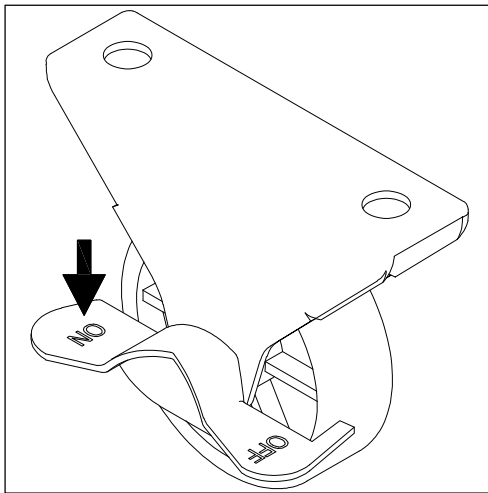


11

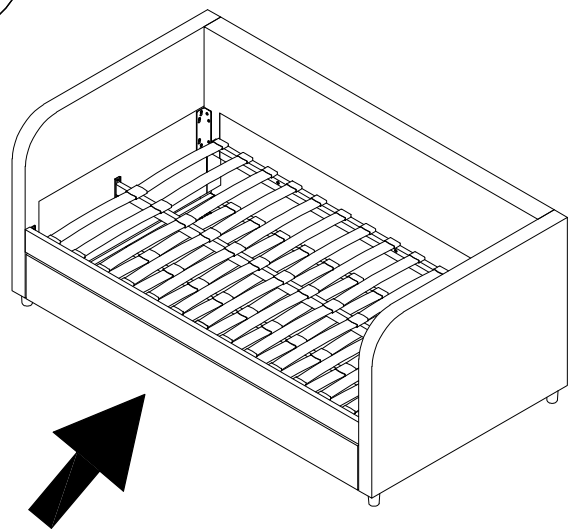
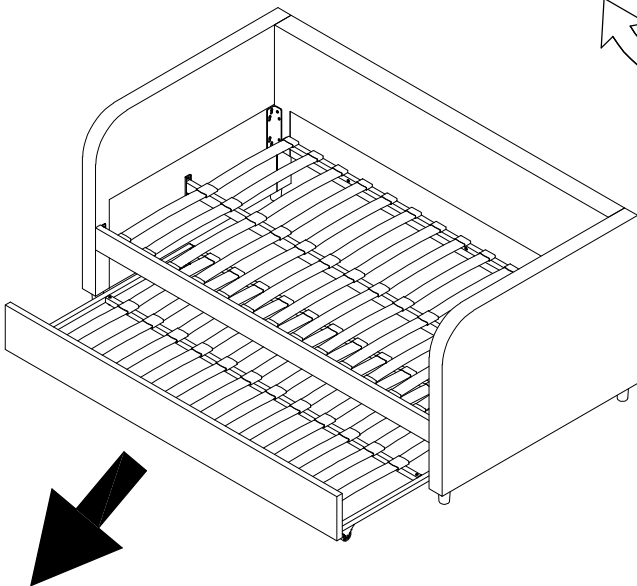
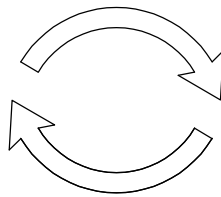
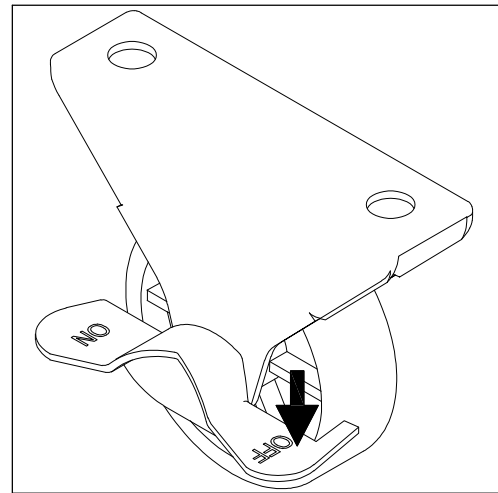


12

How to lock castor?



How to unlock castor?



Technical Specifications

Overall Dimensions (LWH mm)

Single: 2050 x 1015 x 900

Internal Dimensions (LW mm)

Single: 1910 x 910

Distance between slats

Single: 88mm

Slat Dimensions (LWH mm)

Single: 454 x 53 x 9

