

**Serie | 2, built-in oven, 60 x 60 cm,
Stainless steel
HHF113BR0B**



A



Included accessories

1 x insert grid
1 x combination grid
1 x universal pan

Optional accessories

HEZ317000 :
HEZ327000 :
HEZ333001 :
HEZ431002 :
HEZ438201 :
HEZ438301 :
HEZ625071 : Grill tray, anthracite enamelled
HEZ915003 : Glass roasting dish, 5,4 L

The built-in oven with 3D hot air: achieve perfect baking and roasting results on up to three levels simultaneously.

- **3D Hotair:** even heat distribution for perfect results on up to three levels.
- **Red LED display control:** easy-to-use thanks to clear time display.

Technical Data

Gross weight : 34.1 kg
Color / Material Front : Stainless steel
Built-in / Free-standing : Built-in
Integrated Cleaning system : No
Required niche size for installation (HxWxD) : 575-597 x 560-568 x 550 mm
Dimensions : 595 x 594 x 548 mm
Dimensions of the packed product (HxWxD) : 655 x 680 x 650 mm
Control Panel Material : Stainless steel
Door Material : Glass
Net weight : 32.0 kg
Usable volume (of cavity) - cavity 1 : 66 l
Cooking method : Full width variable grill, Hot Air, Hotair gentle, Hot air grilling
First cavity material : Other
Number of interior lights : 1
Approval certificates : CE
Length electrical supply cord : 110 cm
Interior Lights - cavity 1 : 1
: Accessory
Clock function : Alarm, Off, On
Included accessories : 1 x insert grid, 1 x combination grid, 1 x universal pan
Broil Element Wattages cavity 1 : 2350 W
Energy efficiency rating : A
Energy consumption per cycle forced air convection (2010/30/EC) : 0.79 kWh/cycle
Energy efficiency index (2010/30/EC) : 95.2 %
Connection Rating : 2400 W
Fuse protection : 13 A
Voltage : 220-240 V
Frequency : 60; 50 Hz
Plug type : GB plug
Color / Material Front : Stainless steel
Energy input : Electric
Approval certificates : CE
Required cutout/niche size for installation (in) : x x
Dimensions of the packed product : 25.78 x 25.59 x 26.77
Net weight : 71.000 lbs
Gross weight : 75.000 lbs
Length electrical supply cord : 110 cm
Net weight : 32.0 kg



4 242005 048335

Serie | 2, built-in oven, 60 x 60 cm, Stainless steel HHF113BR0B

The built-in oven with 3D hot air: achieve perfect baking and roasting results on up to three levels simultaneously.

Design

- LED-Display Control (Red)
- Rotary dial, round
- Straight bar handle

Features

- Control panel lock
- Automatic start
- Electronic clock timer
- Interior halogen light
- Integral cooling fan
- 5 shelf positions

Cleaning

- Full glass inner door

Programmes/functions

- Oven with 4 cooking functions: heating methods: 3D Hotair, Hotair grilling, Hotair gentle, full width variable grill

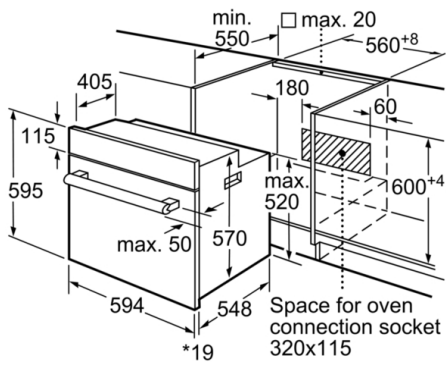
Accessories

- 1 x universal pan, 1 x combination grid, 1 x insert grid

Performance/technical information

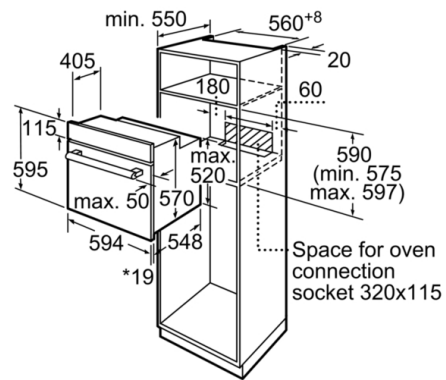
- Cavity volume: 66 litre
- Temperature range 50 °C - 275 °C
- 110 cm Cable length
- Total connected load electric: 2.4 KW
- Nominal voltage: 220 - 240 V
- Appliance dimension (hxwxd): 595 mm x 594 mm x 548 mm
- Niche dimension (hxwxd): 575 mm - 597 mm x 560 mm - 568 mm x 550 mm
- Please refer to the dimensions provided in the installation manual

Serie | 2, built-in oven, 60 x 60 cm, Stainless steel
HHF113BR0B



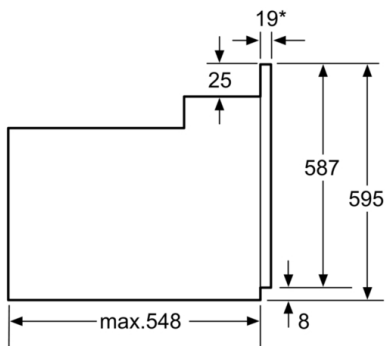
* 20 mm for metal fascias

measurements in mm



* 20 mm for metal fascias

measurements in mm



* 20 mm for metal fascias

Dimensions in mm