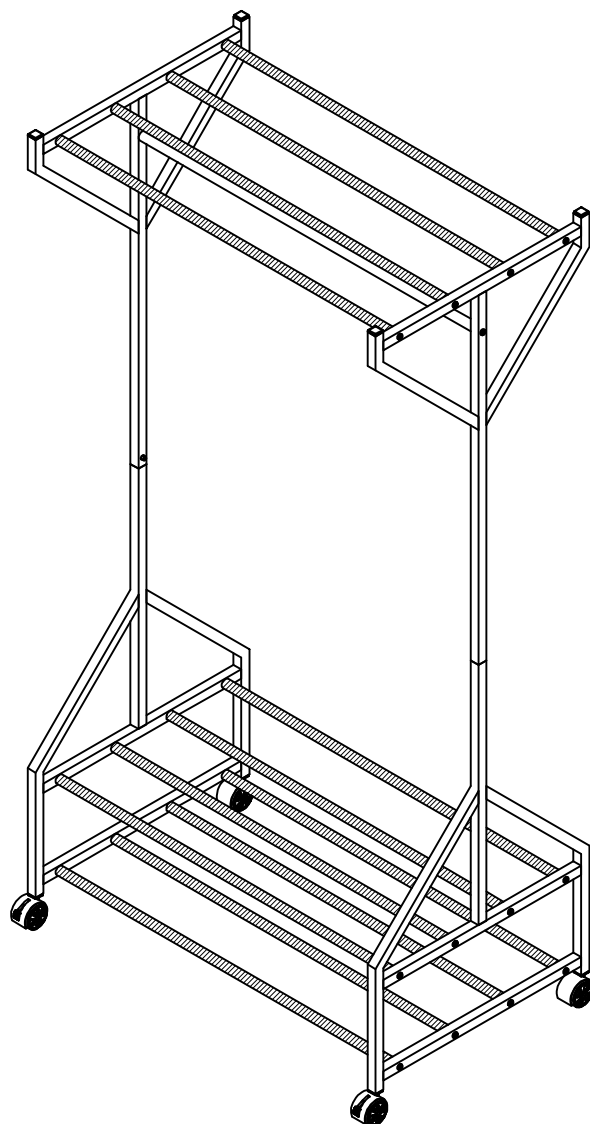


# TC GOSFORD 50KG BLACK CLOTHES RAIL SHELV

Assembly Instructions - Please keep for future reference

652/5943



## Dimensions

Width - 88cm

Depth - 54cm

Height - 172.5cm

**Important – Please read these instructions fully before starting assembly**

If you need help or have damaged or missing parts, call the **Customer Helpline: 03456 400800**



# Safety and Care Advice

**Important – Please read these instructions fully before starting assembly**

- Check you have all the components and tools listed on the following pages.
- Remove all fittings from the plastic bags and separate them into their groups.
- Keep children and animals away from the work area, small parts could choke if swallowed.
- Make sure you have enough space to layout the parts before starting.

- During assembly do not stand or put weight on the product, this could cause damage.
- Assemble the item as close to its final position (in the same room) as possible.
- Assemble on a soft level surface to avoid damaging the unit or your floor.
- Parts of the assembly will be easier with 2 people.



- To reduce the likelihood of damaging your product please ensure that your power drill is set on a low torque setting.

## Care and maintenance

- Only clean using a damp cloth and mild detergent, do not use bleach or abrasive cleaners.
- From time to time check that there are no loose screws on this unit.
- This product should not be discarded with household waste. Take to your local authority waste disposal centre.

## Handy Hints

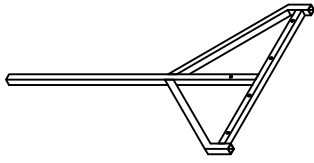
- Assemble all parts and bolts loosely during assembly, only once the product is complete should you fully tighten the bolts
- Regularly check and ensure that all bolts and fittings are tightened properly.

**Note:** If required the next page can be cut out and used as reference throughout the assembly. Keep this page with these instructions for future reference.

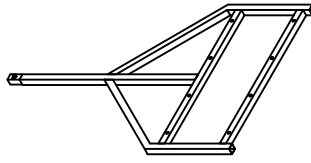
# Components - Parts

If you have damaged or missing components, call the **Customer Helpline: 03456 400800**

Please check you have all the parts listed below



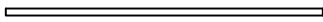
**1** Upper Side Frame x 2



**2** Bottom Side Frame x 2



**3** Black Steel Tube x 12



**4** Chrome Steel Tube x 1

# Components - Fittings

Please check you have all the fittings listed below

**Note:** The quantities below are the correct amount to complete the assembly. In some cases more fittings may be supplied than are required.



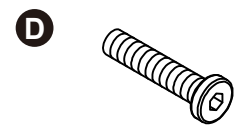
Regular Castor x 2



Castor with Stopper x 2



Hex Key x 1



Flat Screw x 1



End Cap x 4



Allen Key x 1

# Assembly Instructions

## Step 1

1. Connect Regular Castor **A** and Castor with Stopper **B** to Bottom Side Frame **2** using Hex Key **C**.

see fig.1

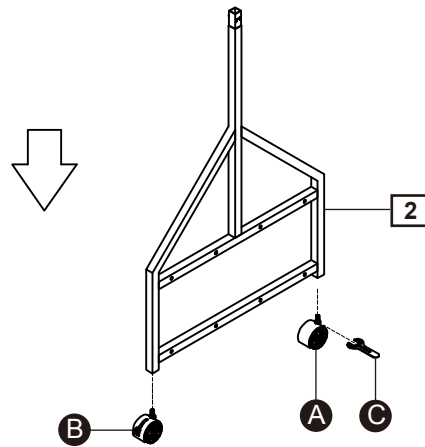


fig. 1

## Step 2

1. Connect Black Steel Tube **3** to Bottom Side Frame **2** using Flate Screw **D** and Allen Key **F**.

see fig.2

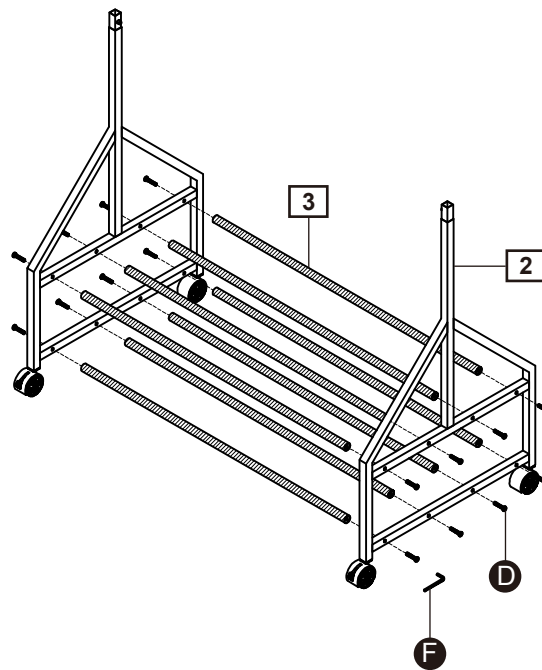


fig. 2

# Assembly Instructions

## Step 3

1. Connect Black Steel Tube **3** with Upper Side Frame **1** using Flate Screw **D** and Allen Key **F**.
2. Insert End Cap **E** to top of Upper Side Frame **1**.

see fig.3

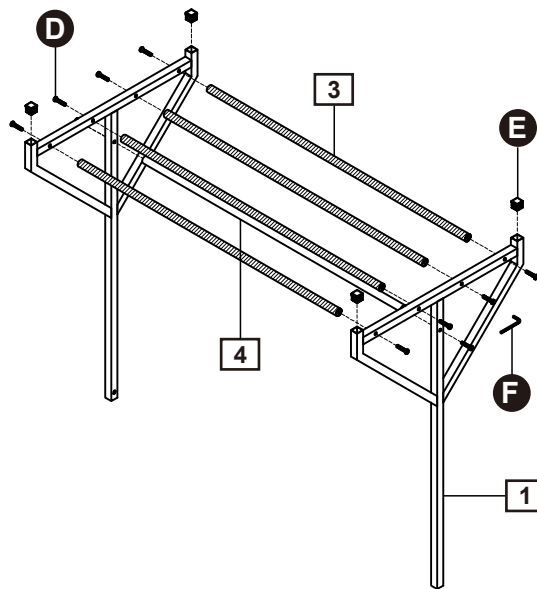


fig. 3

## Step 2

1. Connect Upper Side Frame **1** and Bottom Side Frame **2**.

see fig.4 & 5

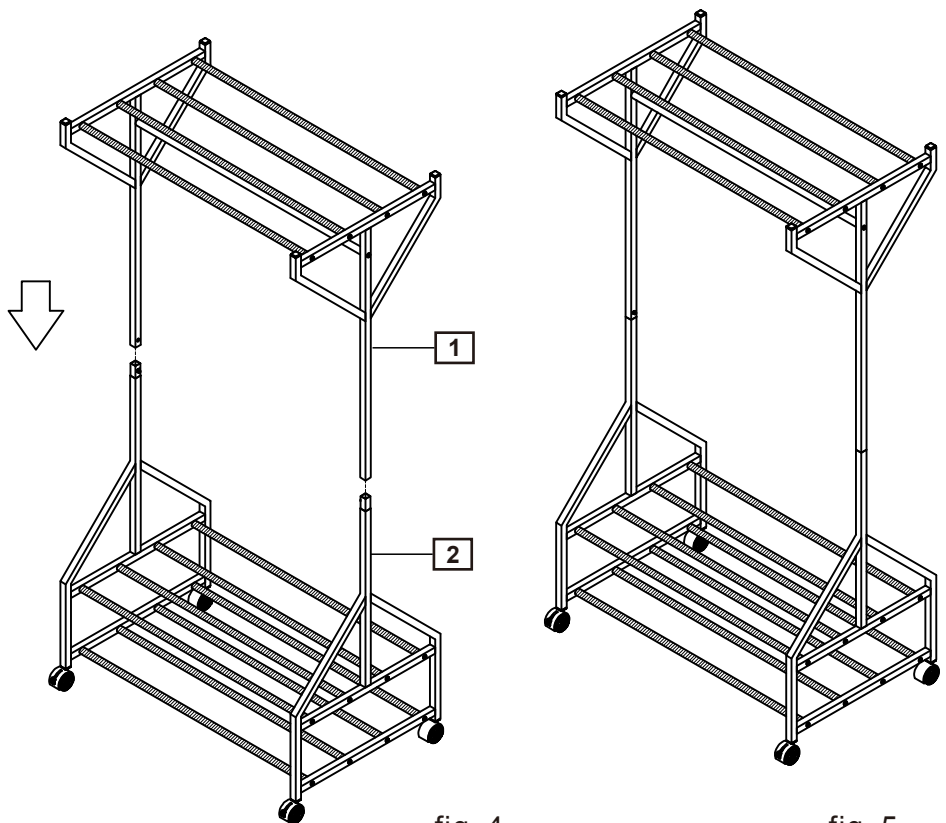


fig. 4

fig. 5

**Important Note:**  
The Maximun Safe Load for rail is 50 kg and 10 kg for each shelf. Evenly distributed.