



divan assembly
instructions

before you start you'll need

- Wooden/rubber mallet
- Phillips/slotted/pozidriv screwdriver
- Pliers
- Scissors

To avoid the risk of injury, it is recommended that a minimum of two people assemble and install this product.

unwrapping

Carefully remove any cardboard protectors and all packaging staples with pliers to avoid injury.

Dispose of all polythene immediately to avoid the risk of suffocation to children. Where possible please recycle all packaging.

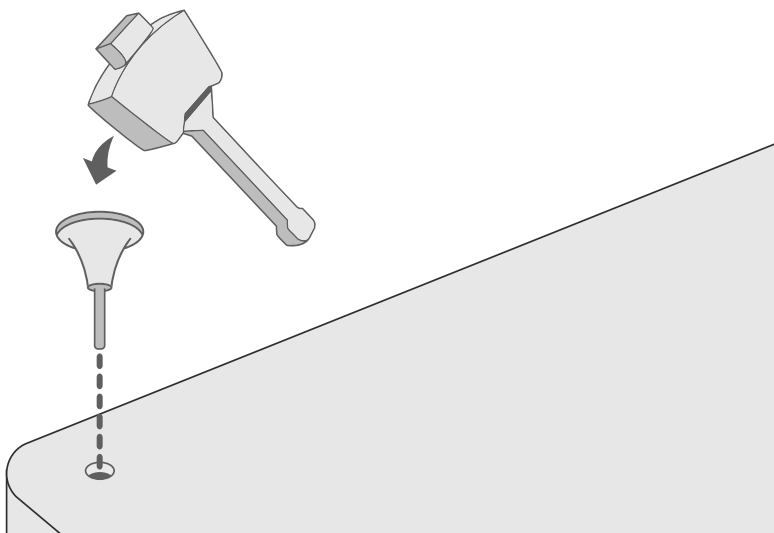
fittings

Remove the fittings from the bags that are attached to the divan base.

attaching castors, legs, feet and glides

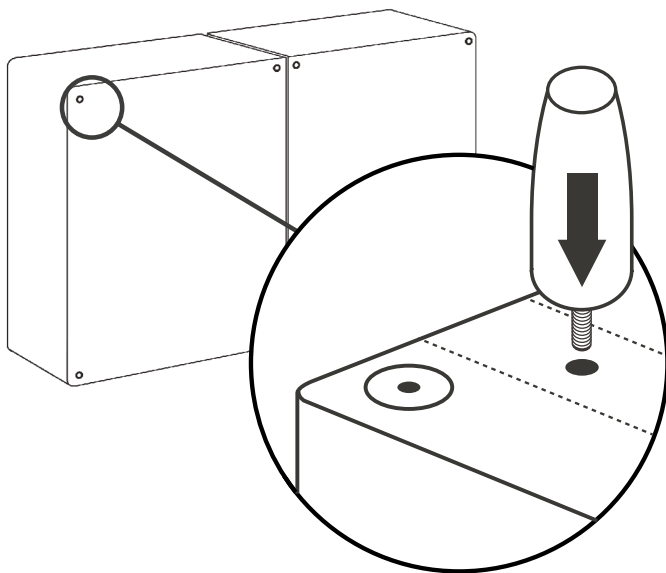
Glides/Castors:

Push into the corner sockets and gently tap with a wooden/rubber mallet until it is fully 'home'. Do not use a metal hammer or object as this may damage the castors or divan base.



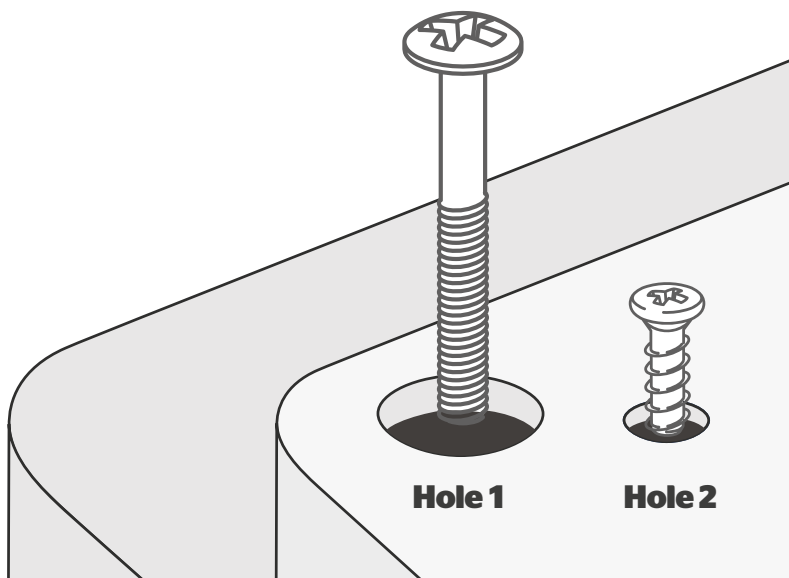
Legs:

To affix legs, screw bolts into the threaded holes marked 'pierce here for fittings'.



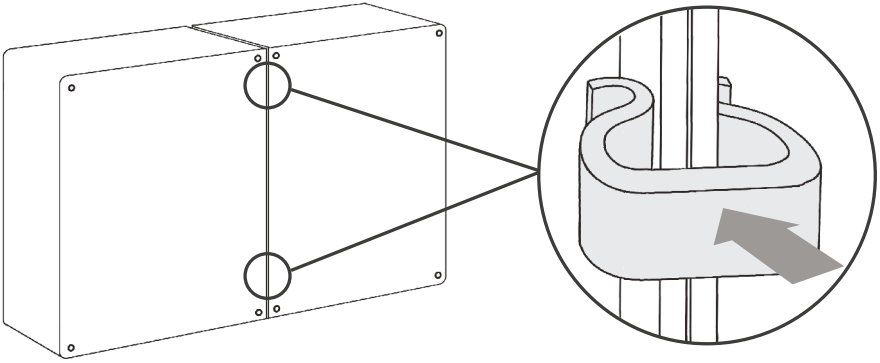
Square feet:

To affix, screw the bolt into hole 1. Then screw the screw into hole 2. Make sure both screws have been fastened securely. Repeat on all 4 corners. Next screw the black glides into the remaining four holes in the divan base - two on each side.



connecting the bases

Stand the divan halves on their side and attach the U clips as indicated on the diagram below.

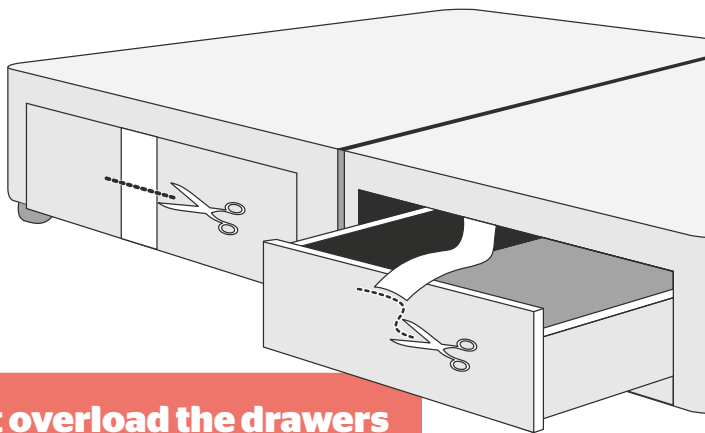


drawer storage

To release the drawers, please cut the temporary restraining straps and trim off any excess.

Pulling the straps off may tear the fabric.

Ottoman instructions can be found on the following pages.



Do not overload the drawers

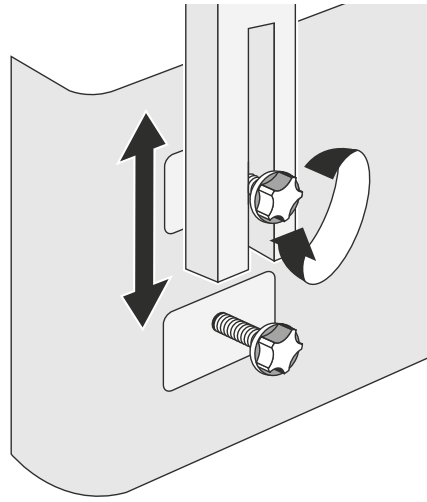
- Mini drawers - max 7kg
- Standard drawers - max 15kg

attaching a headboard

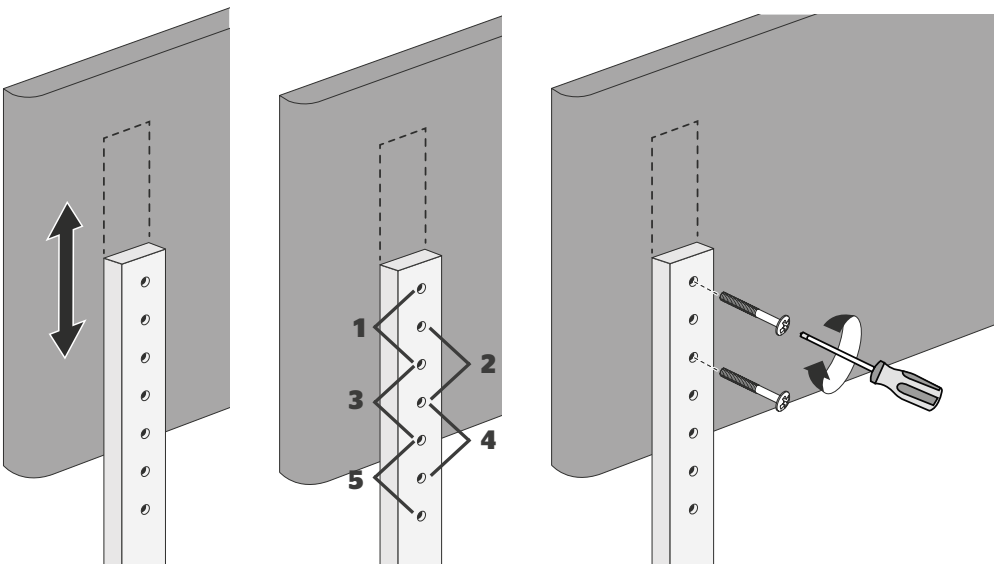
First of all decide which end of the bed is to be used for a headboard, then use scissors to carefully pierce the fabric where the hole can be felt underneath the stickers.

Strutted headboards

1. Place the headboard bolt into the hole and fasten into place. Lower the headboard into position before fully tightening the bolt.



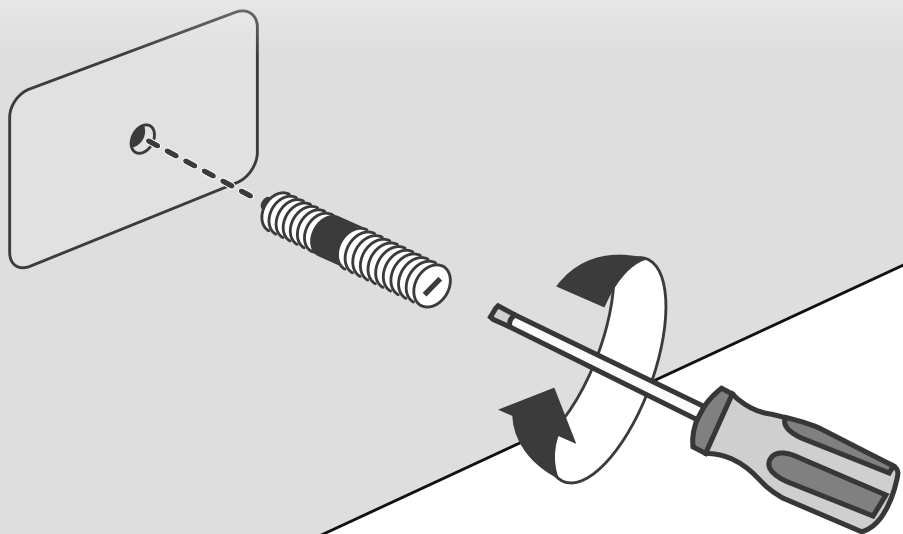
2. Note that headboard heights can be adjusted, by amending the position of the screws on the back of the board. There are 5 different positions in which you can adjust the height of your board to allow it to sit nicely above your mattress.



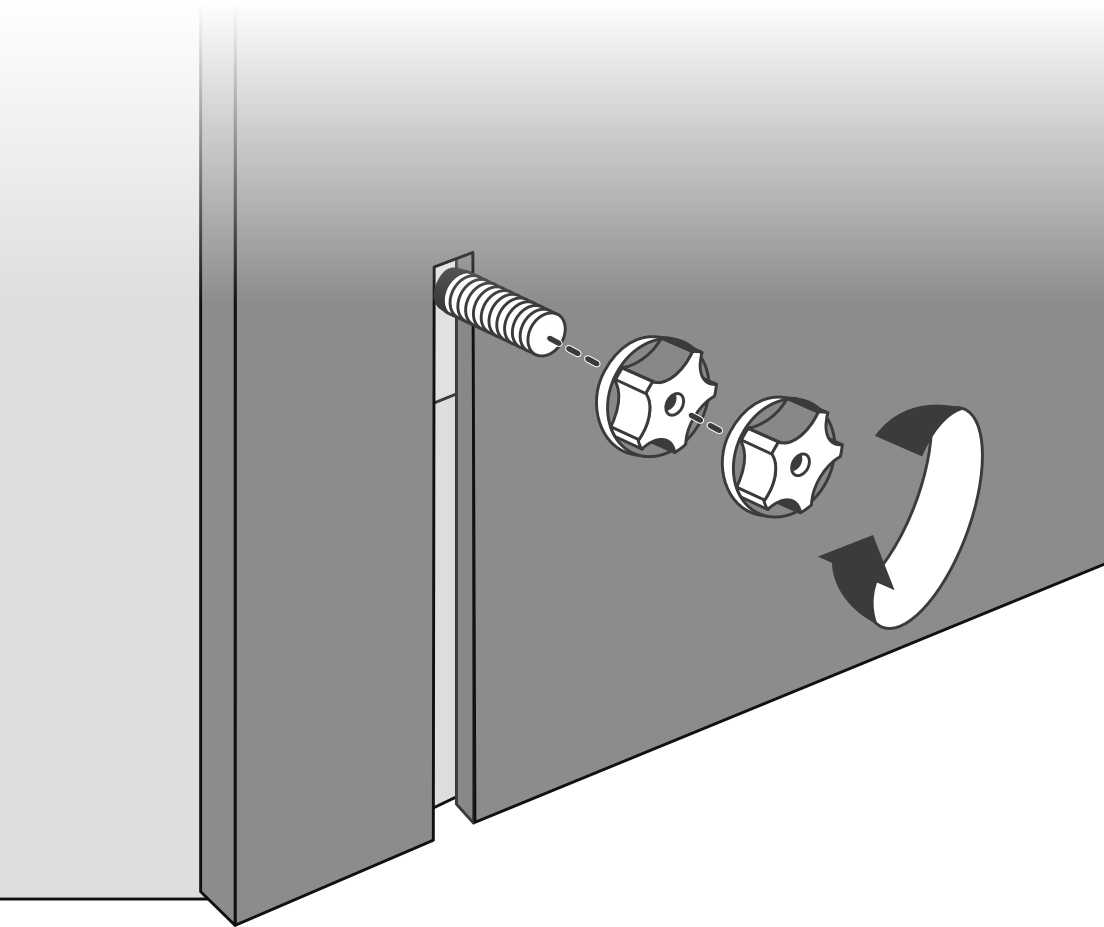
Full height headboards

1. Using scissors, carefully pierce the fabric where the stickers mark the hole in the headboard. Line up the headboard hole with the divan hole.

Thread the headboard bolt through them both and tighten into position. If additional fittings have been supplied, please use these instead of the standard fittings issued with the Divan Base. Pierce the Divan with the bolts and screw into the base until the shorter thread is no longer visible. Position the headboard in place.



2. Place a single plastic cap on each of the bolts and tighten until headboard is secure. Place a second plastic cap on each of the bolts to prevent them from catching*.



**The additional cap can also be used as a spacer between the Headboard and the Divan. This should only be used as a spacer if the Divan Drawer is restricted from opening by the Headboard.*



ottoman storage

The Ottoman storage solution helps you to maximise your bedroom space. To get the best out of your new bed please follow these instructions at all times.



Cutting the Ottoman strap will cause the Ottoman to open immediately. Please ensure you follow the instructions below.

unwrapping the ottoman base

1. Remove all the polythene and corner card packaging. To avoid risk of suffocation, please ensure that the polythene bag is well out of reach of children. The polythene bag is recyclable.
2. Remove any proud packaging staples.
3. Stand the divan vertically on the short side.
4. Before cutting the strap, please note that the lid will open automatically.
Allow sufficient space for the lid to open.
5. Cut the strapping.
6. Remove castor pack from inside the Ottoman ensuring all packaging staples are removed and insert the castors/glides/legs.
7. Attach both bases together. See diagram and instructions on next page.
8. Place your mattress on top of the bed.



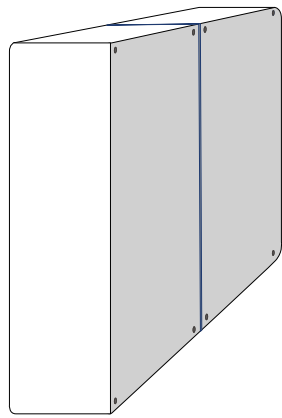
- **Never** operate the recliner mechanism without a mattress on the divan base.
- **Never** allow children or pets to play on or inside the Ottoman divan base.
- **Stand clear** when opening or closing the Ottoman divan base.
- **Ensure** bed linen does not get caught within the recliner mechanisms.
- **Close** the Ottoman divan base by pushing down with both hands centrally on the mattress.
- **Do not** operate the mechanism while the bed is being used.
- **Maximum loading weight** is 40kg evenly distributed.

half ottoman assembly instructions

These assembly instructions apply to the half ottoman divan base only. Please disregard the plastic clip in the standard Divan half fittings pack. Please use the metal clips to join the Divan and Ottoman halves together.

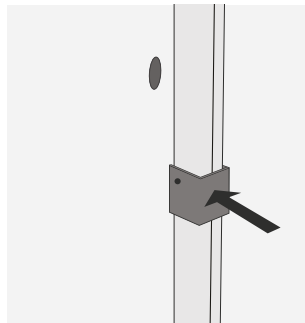
Step 1

Position the two divan halves on the floor together.



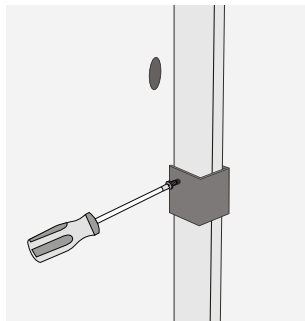
Step 2

Ensure the metal clips are positioned in the recess of the black undercover.



Step 3

Use screws provided to fix the clip to the divan.



full ottoman assembly instructions

Before you start you'll need

- 2x Medium/Large Posi and/or Flat-head screwdriver or similar
- Wooden/rubber mallet
- Large bradawl or similar
- Scissors

To avoid the risk of injury, it is recommended that a minimum of two people assemble and install this product.

Castor/glide connection

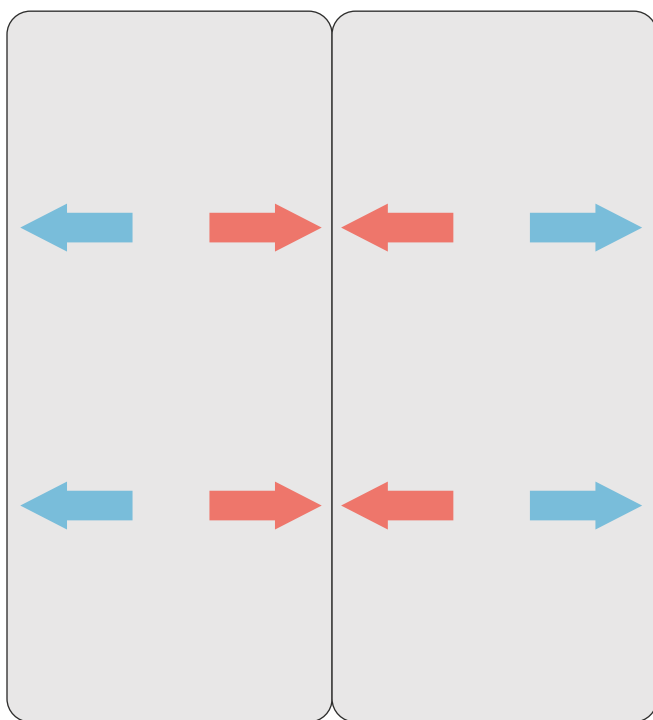
1. Remove the fittings bag/instructions, and cut the lid ties. **Care should be taken as the lid will try to open.**
2. Close the lid and turn the base on to its side. Locate and hammer home the 4 castors/glides into the corner sockets.
3. Turn the base so it is sitting on the castors/glides with the lid open.
4. Repeat for the second base.
5. Position the bases together.

Base connection

1. Identify the 2 drilled connecting holes on the outer sides of each base unit (blue arrows) and fit the beige plastic hole plugs. Remove the 'Pierce Here' labels from the outside of the base units.
2. Identify the 2 drilled connecting holes on the inner sides of each base unit (red arrows) identified on the outside of the base by 'Pierce Here' labels which should be removed.

Using the large bradawl, pierce the fabric and make a hole large enough for the 'female' connector in all 4 aligned holes.

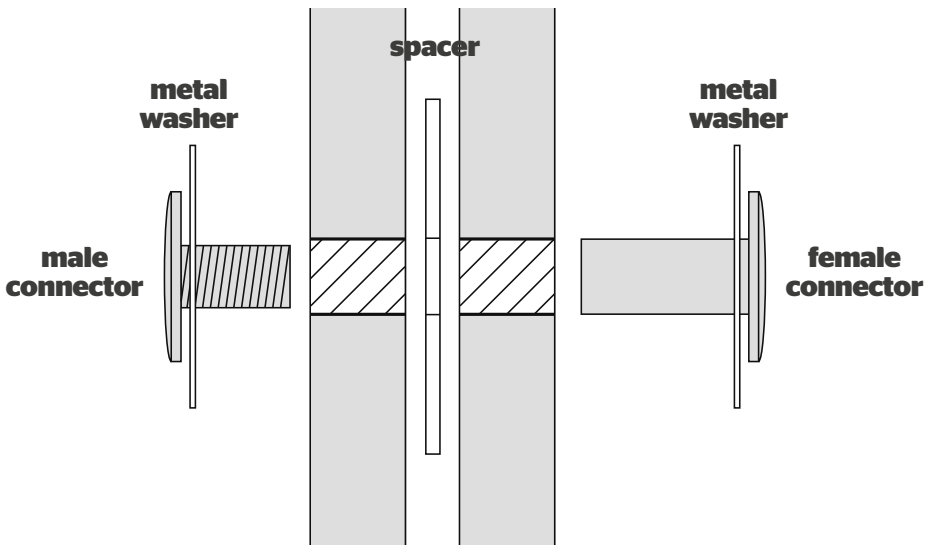
3. Push both base units together and align.



4. After applying a metal washer, insert the 'female connector' from the inside of one of the base units. Also using a metal washer, insert the 'male connector' from the inside of the other base unit.

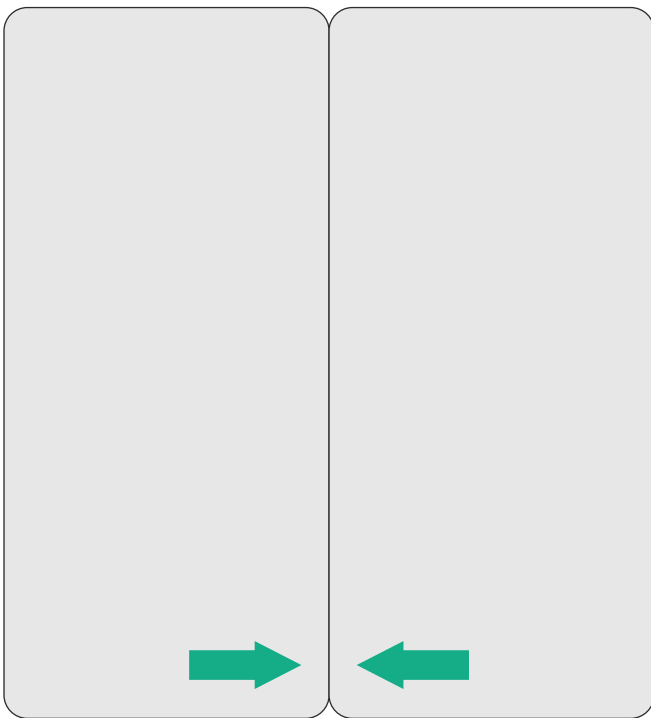
Note: This can be quite fiddly; please persevere!

5. Screw the male and female connectors together.
6. Repeat for the 2nd connecting hole.



lid connection

1. Identify the 2 drilled connecting holes on the front, inner sides of each lid (**green arrows**), identified with a 'Pierce Here' label. Using the large bradawl, pierce the fabric and make a hole large enough for the 'female' connector in both holes.
2. After applying a metal washer, insert the 'female connector' from the inside of one of the lids. Also using a metal washer, insert the 'male connector' from the inside of the other lid.
3. Screw the male and female connectors together.



It may be necessary to include one or both plastic spacer washers between the lids to allow alignment adjustment due to the potential irregularities of floor surfaces.

headboard connection

1. The head end of each base unit has 4x threaded inserts (only 2 may be required). Identify which you need to fit your headboard and using the large bradawl, pierce the fabric ('Pierce Here' labels are positioned on the outside of the cover). Insert the headboard bolt and repeat for the other locations.



The mattress can now be placed on the ottoman base.



[silentnight.co.uk/guarantee](https://www.silentnight.co.uk/guarantee)