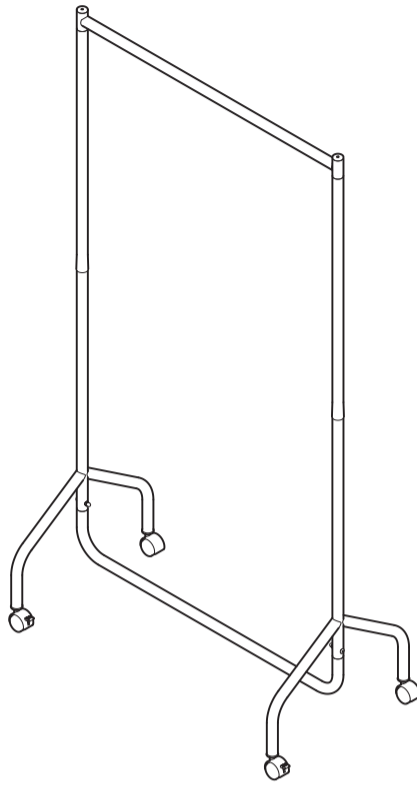


Single Clothes Rail Heavy Duty

Assembly Instructions - Please keep for future reference

237/9375

459/5432



Dimensions

Width - 85cm
Depth - 44cm
Height - 160.5cm

Important - Please read these instructions fully before starting assembly

If you need help or have damaged or missing parts, call the **Customer Helpline: Argos = 0345 640 0800**

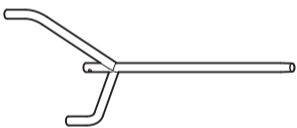
Issue 1 - 23/10/15

Components - Parts

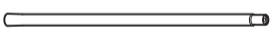
If you have damaged or missing components, call the **Customer Helpline: Argos = 0345 640 0800**

Please check you have all the panels listed below

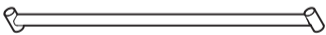
1 Leg tube x 2 (86.4cm)



2 Side tube x 2 (70cm)



3 Hanging rail x 1 (84cm)



4 Bottom tube x 1 (84cm)



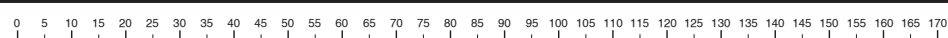
Components - Fittings

Please check you have all the fittings listed below

Note: The quantities below are the correct amount to complete the assembly. In some cases more fittings may be supplied than are required.

A Caster x 4 (2pcs. with brake, 2pcs. without brake)	B Flat head screw 40mm x 2	C Screw 32mm x 2
D Nut x 2	E Spanner x 1	F Allen key x 1

Ruler - Use this ruler to help correctly identify the screws



Safety and Care Advice

Important - Please read these instructions fully before starting assembly

- Check you have all the components and tools listed on the following pages.
- Remove all fittings from the plastic bags and separate them into their groups.
- Keep children and animals away from the work area, small parts could choke if swallowed.
- Make sure you have enough space to layout the parts before starting.

- During assembly do not stand or put weight on the product, this could cause damage.
- Assemble the item as close to its final position (in the same room) as possible.
- Assemble on a soft level surface to avoid damaging the unit or your floor.
- Parts of the assembly will be easier with 2 people.



• To reduce the likelihood of damaging your product please ensure that your power drill is set on a low torque setting.

• This is the item with "Maximum loading: 50 kgs", please do not put the weight heavier than 50kgs.

Care and maintenance

- Only clean using a damp cloth and mild detergent, do not use bleach or abrasive cleaners.

- From time to time check that there are no loose screws on this unit.

• This product should not be discarded with household waste. Take to your local authority waste disposal centre.

Handy Hints

- Assemble all parts and bolts loosely during assembly, only once the product is complete should you fully tighten the bolts

- Regularly check and ensure that all bolts and fittings are tightend properly.

1

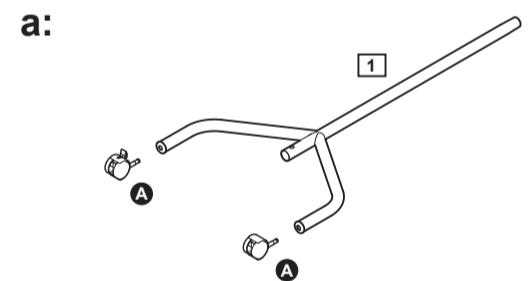
Assembly Instructions

Step 1

Note: It would be useful to ask someone to help you at this stage.

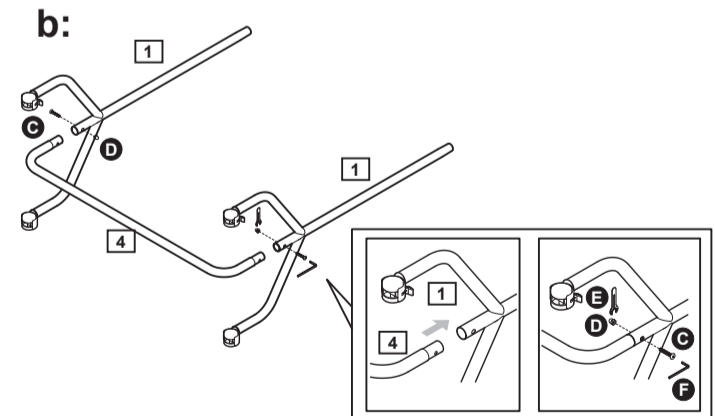
a: Insert Caster **A** into Leg tube **1**, push Caster **A** into position.

Repeat Step a: to assemble other Leg tube **1** with Caster **A**.



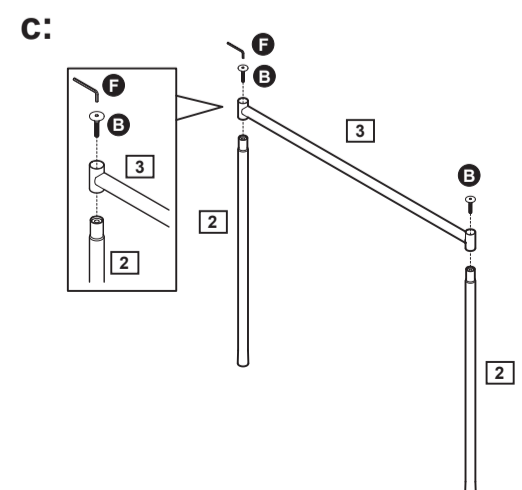
b: Insert Bottom tube **4** into Leg tube **1**, align both holes on Bottom tube **4** and Leg tube **1**, lock by Screw **C** and Nut **D**, then tighten by Allen key **F** and Spanner **E**.

Repeat Step b: to assemble other side of Leg tube **1** with Bottom tube **4**.



c: Insert Side tube **2** into Hanging rail **3**, lock by Flat head screw **B**, then tighten by Allen key **F**.

Repeat Step c: to assemble other Side tube **2** with Hanging rail **3**.



2

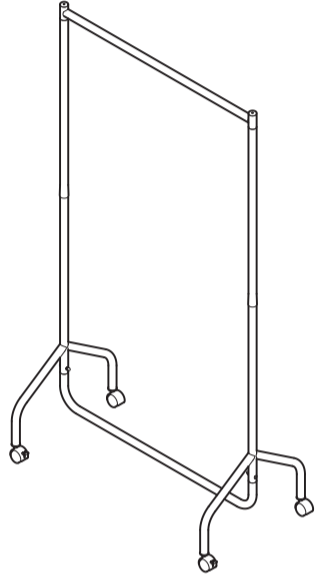
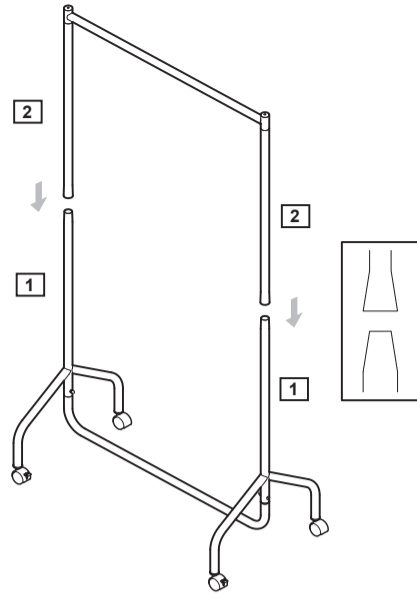
3

Assembly Instructions

Step 2

Note: It would be useful to ask someone to help you at this stage.

Mount Side tube **2** onto Leg tube **1**.



Assembly is complete.

If you need help or have damaged or missing parts, call the **Customer Helpline:**
Argos = 0345 640 0800