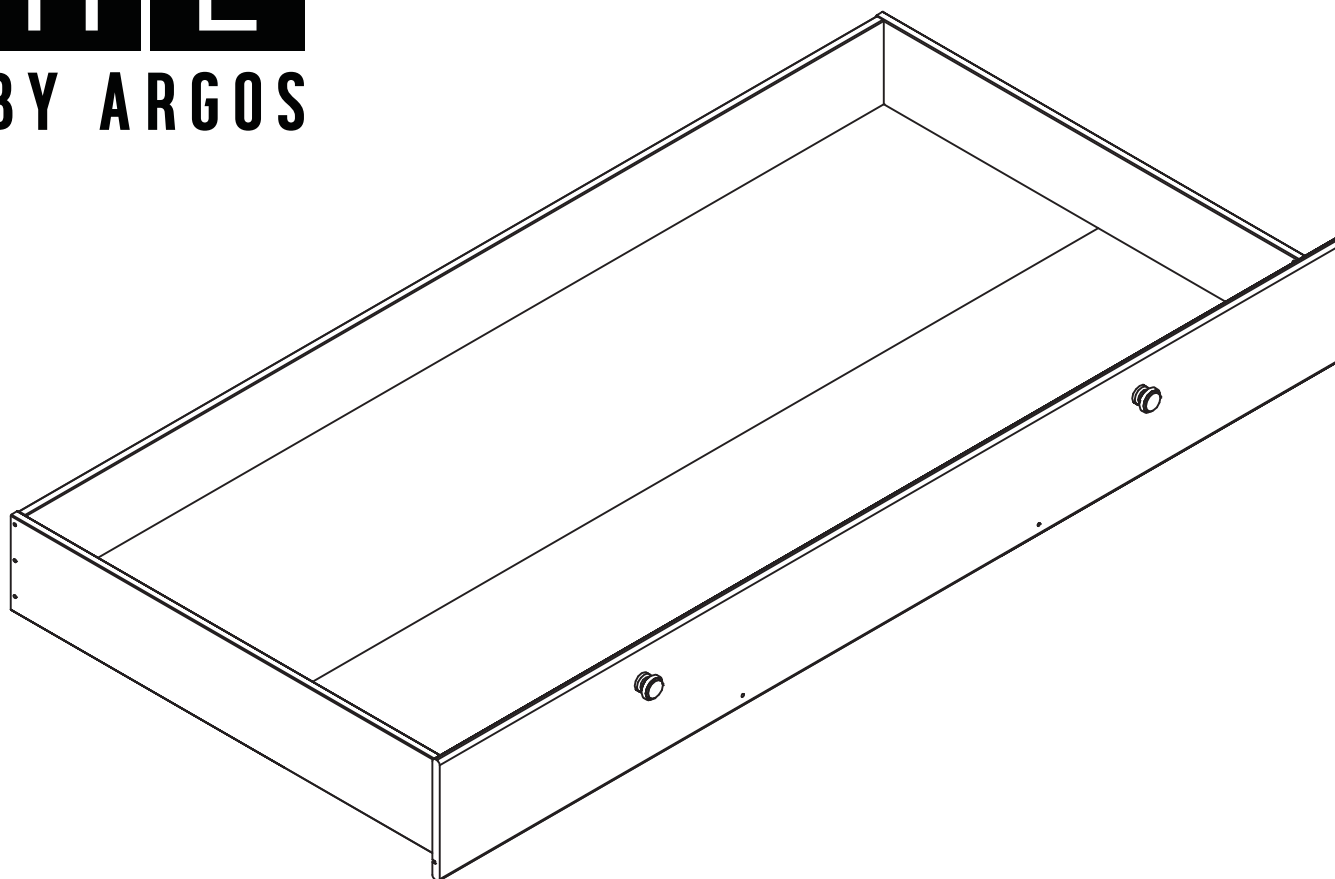


# Long Drawer - Grey

Assembly Instructions - Please keep for future reference

8264563

**H O**  
**M E**  
**BY ARGOS**



## Dimensions

Length - 186cm

Depth - 91cm

Height - 21.5cm

Weight - 15kg

**Important – Please read these instructions fully before starting assembly**

If you need help or have damaged or missing parts, call the **Customer Helpline:**

**0045 7668 8055** or e-mail: [order@flexa.dk](mailto:order@flexa.dk)



# Safety and Care Advice

**Important – Please read these instructions fully before starting assembly**

- Check you have all the components and tools listed on pages 2 and 3.
- Remove all fittings from the plastic bags and separate them into their groups.
- Keep children and animals away from the work area, small parts could choke if swallowed.
- Make sure you have enough space to layout the parts before starting.

- Do not stand or put weight on the product, this could cause damage.
- Assemble the item as close to its final position (in the same room) as possible.
- Assemble on a soft level surface to avoid damaging the unit or your floor.
- Parts of the assembly will be easier with 2 people.



- We do not recommend the use of power drill/drivers **for inserting screws**, as this could damage the unit. Only use hand screwdrivers.
- Dispose of all packaging carefully and responsibly.

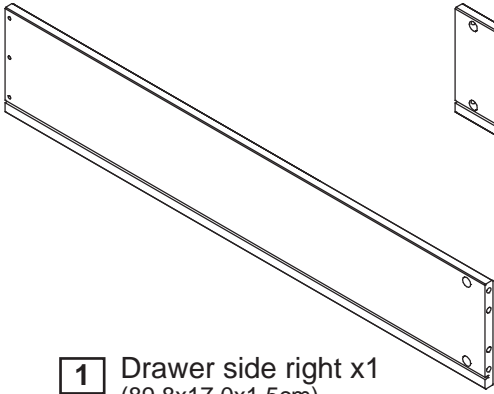
## Care and maintenance

- Only clean using a damp cloth and mild detergent, do not use bleach or abrasive cleaners.
- From time to time check that there are no loose screws on this unit.
- This product should not be discarded with household waste. Take to your local authority waste disposal centre.

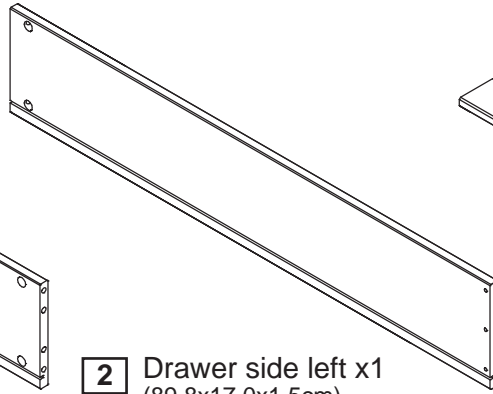
# Components - Parts

If you have damaged or missing components, call the **Customer Helpline: 0045 7668 8055**

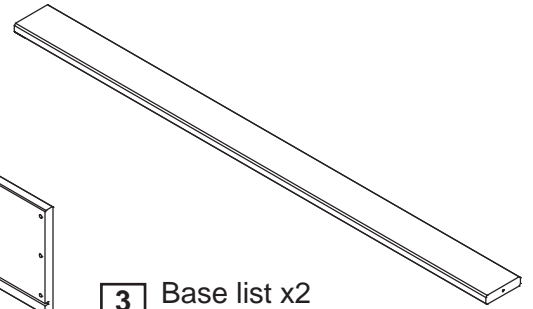
Please check you have all the parts listed below



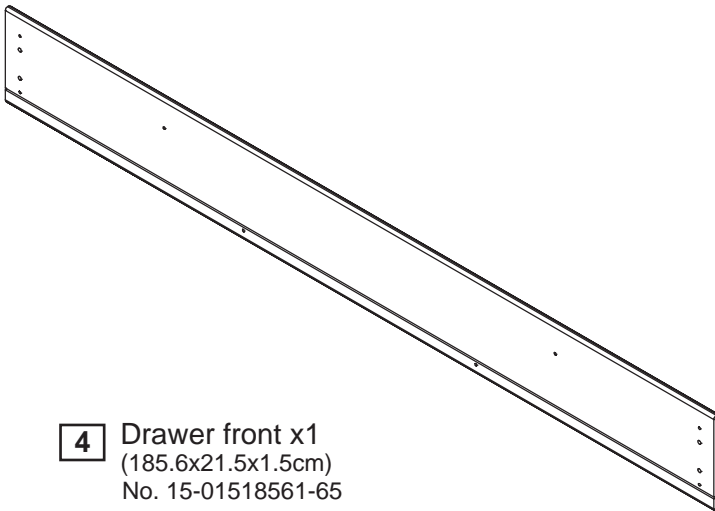
**1** Drawer side right x1  
(89.8x17.0x1.5cm)  
No. 15-01508981-65



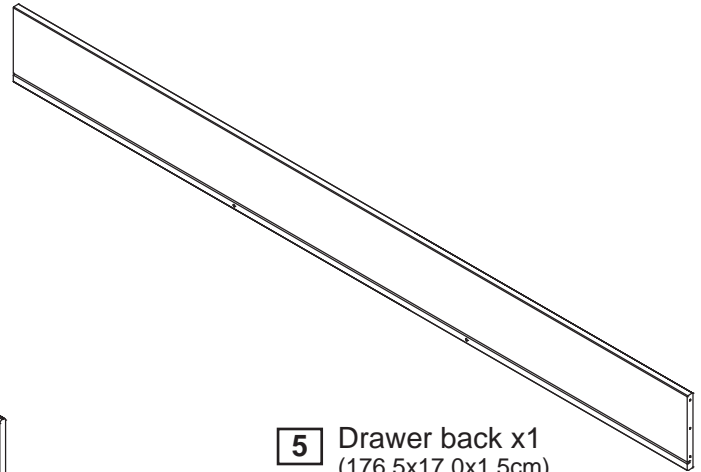
**2** Drawer side left x1  
(89.8x17.0x1.5cm)  
No. 15-01508982-65



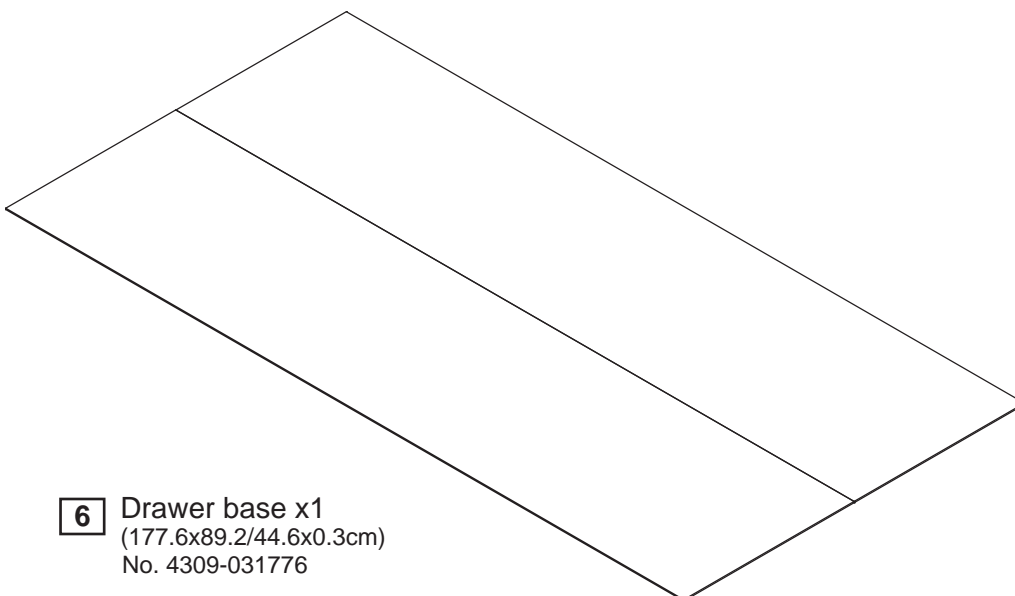
**3** Base list x2  
(88.2x6.5x1.5cm)  
No. 12-01508821



**4** Drawer front x1  
(185.6x21.5x1.5cm)  
No. 15-01518561-65



**5** Drawer back x1  
(176.5x17.0x1.5cm)  
No. 12-01517651-65


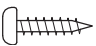
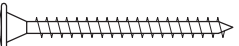
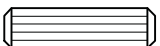

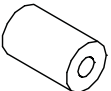
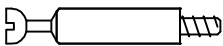
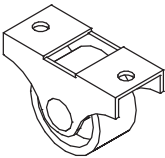
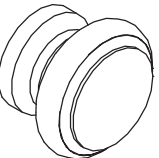


**6** Drawer base x1  
(177.6x89.2/44.6x0.3cm)  
No. 4309-031776

# Components - Fittings

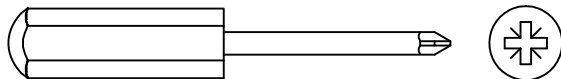
Please check you have all the fittings listed below

Note: The quantities below are the correct amount to complete the assembly. In some cases more fittings may be supplied than are required.

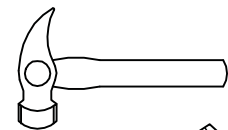
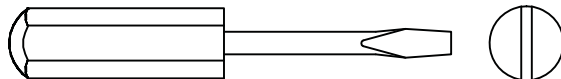
<p><b>A</b>  No. 3901-40040 4,0x40mm Chipboard screw x12</p>	<p><b>B</b>  No. 3902-35015 3,5x15mm Chipboard screw x8</p>	<p><b>C</b>  No. 3903-40045 4,0x45mm Chipboard screw x2</p>
<p><b>D</b>  No. 3930-08030 8x30mm Dowel x4</p>	<p><b>E</b>  No. 3933-15010 Ø15x9,5mm Minifix cam x4</p>	<p><b>F</b>  No. 3940-000241 Ø15/Ø6x24mm Spacer x2</p>
<p><b>G</b>  No. 4020-005 Ø7x34mm Minifix bolt x4</p>	<p><b>H</b>  No. 4003-002 Ø26x28,5mm Castor x4</p>	<p><b>I</b>  No. 4001-022-65 Ø40x30mm Knob x2</p>

## Tools required

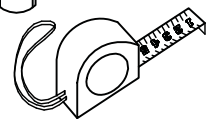
Phillips  
screwdriver  
(medium)



Flatblade  
screwdriver  
(medium)



Small  
hammer



Ruler/tape  
measure



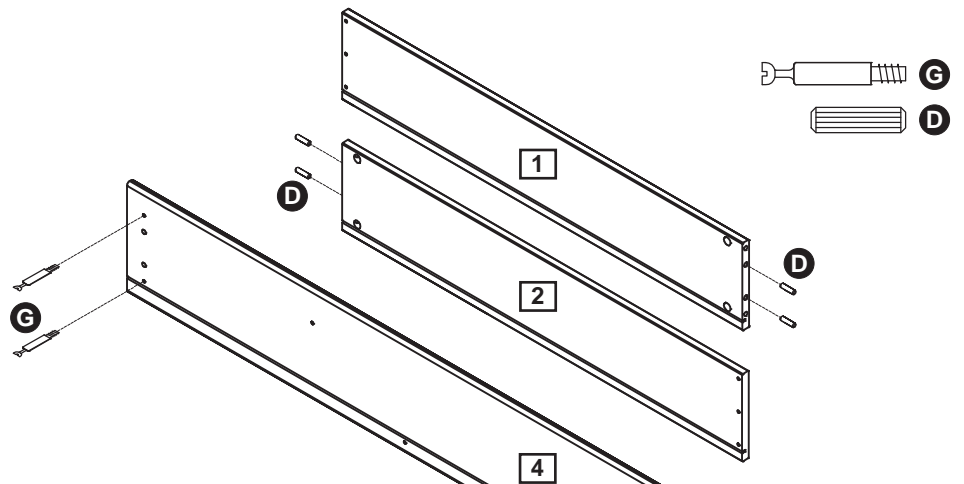
Eye protection  
(when using a  
hammer or glue)

# Assembly Instructions

## Step 1

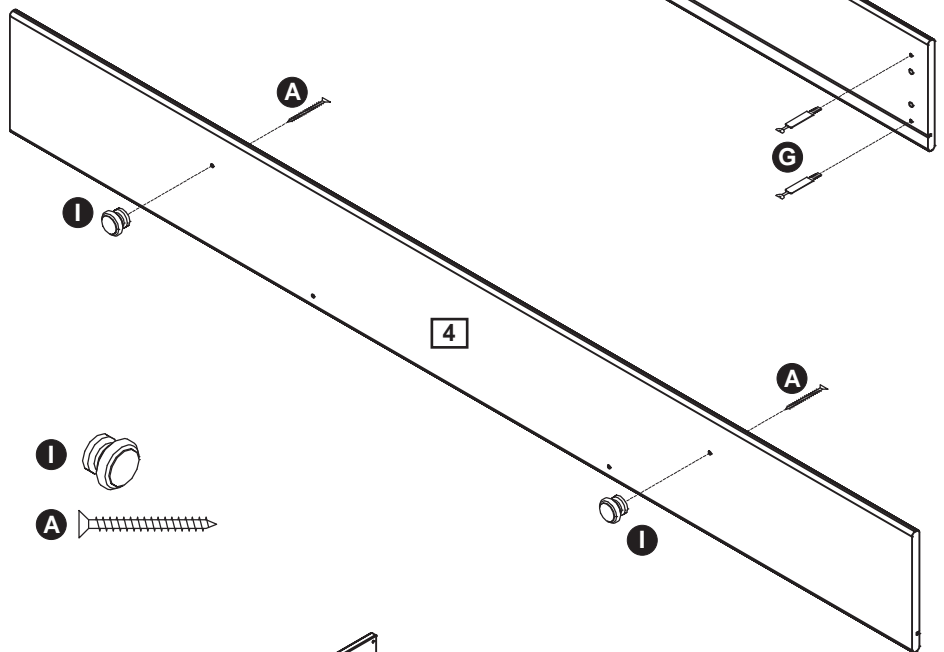
Attach dowels **D** to the drawer sides **1** and **2**. It may be necessary to tap the dowels in very gently with small hammer.

Attach minifix bolts **G** to the drawer front **4**.



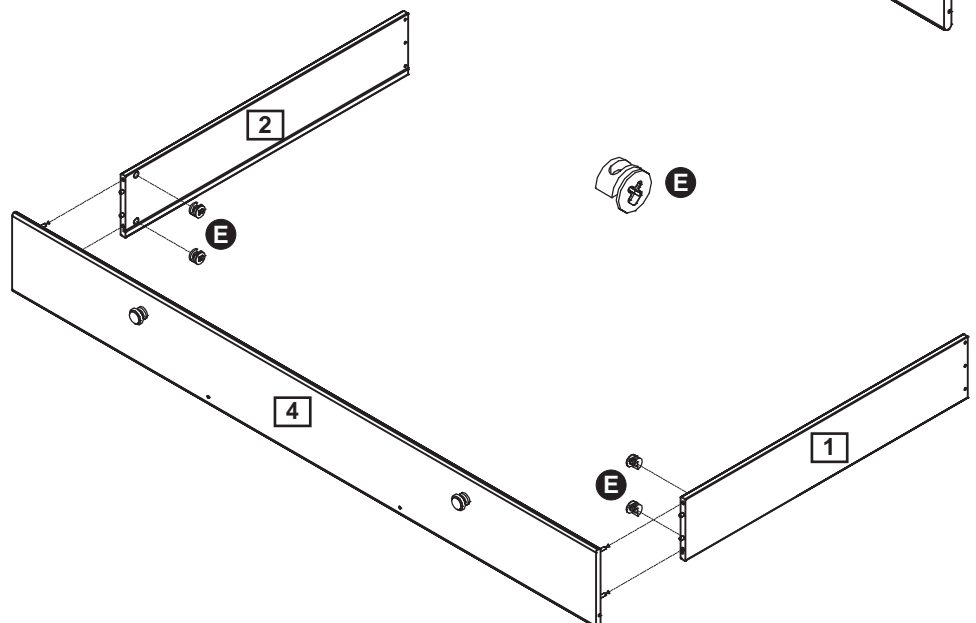
## Step 2

Attach knobs **I** to the drawer front **4** with screws **A**.



## Step 3

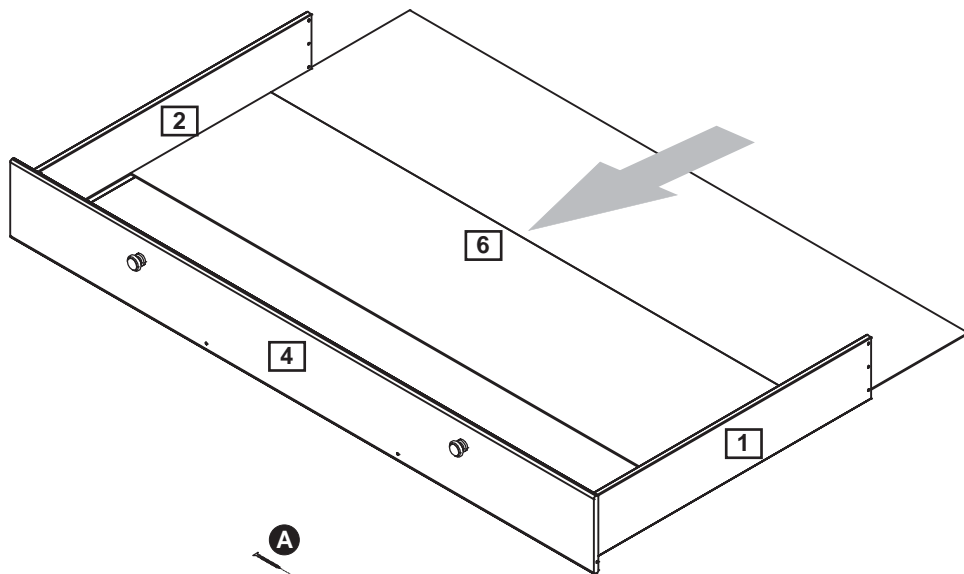
Attach the drawer sides **1** and **2** to the drawer front **4** with the minifix cams **E**.



# Assembly Instructions

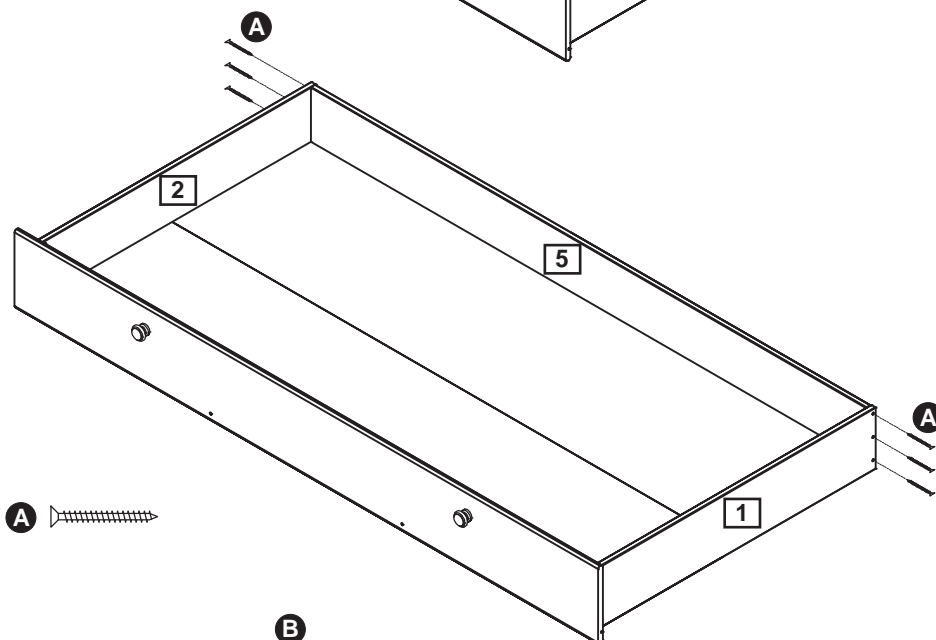
## Step 4

Push the drawer base **6** carefully into the grooves of drawer sides **1** and **2** so that it is placed into the groove on the drawer front **4**.



## Step 5

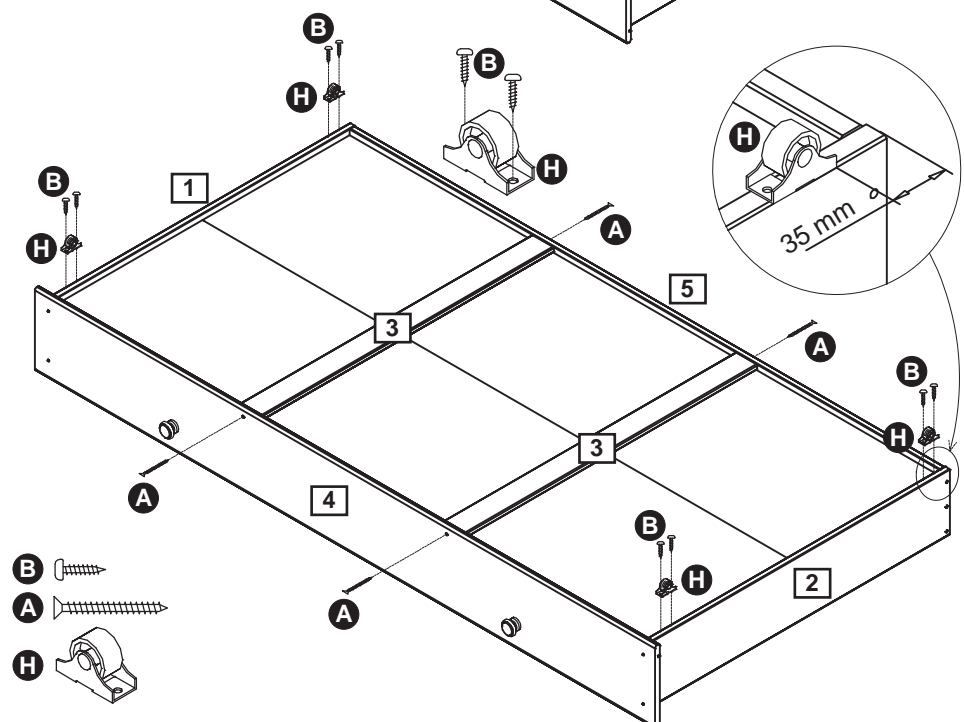
Attach the drawer back **5** to the drawer sides **1** and **2** with the screws **A**.



## Step 6

Turn the drawer so that bottom side is up. Attach base lists **3** to the drawer front **4** and to the drawer back **5** with screws **A**.

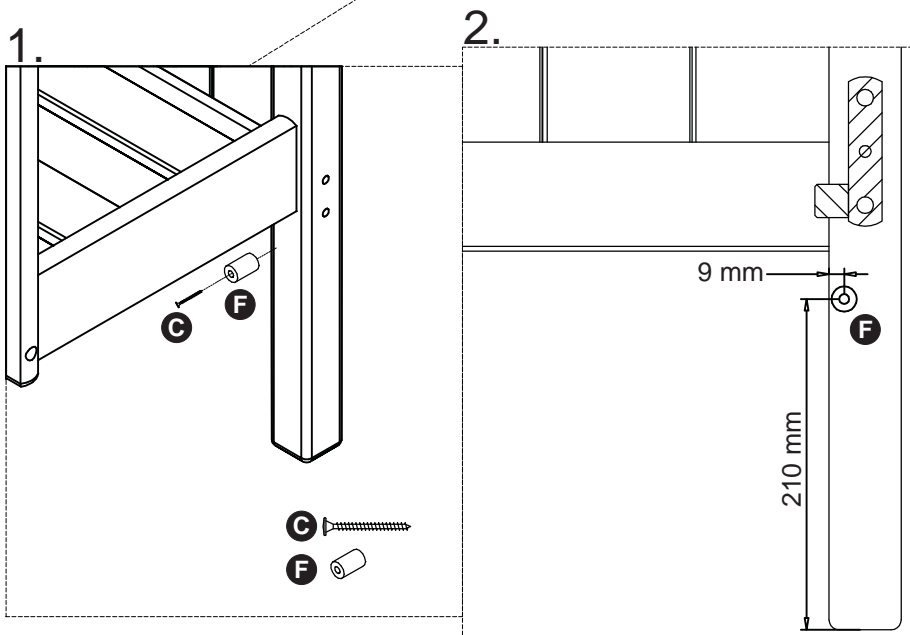
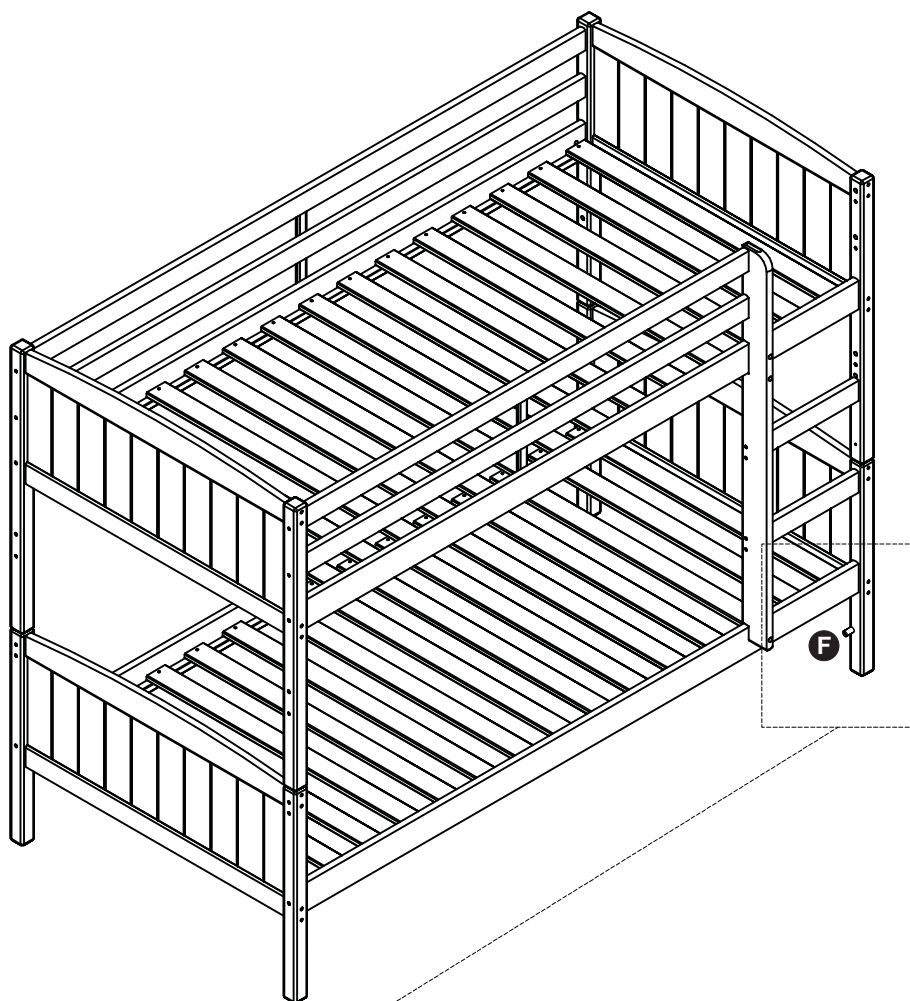
Attach the castors **H** to the drawer sides **1** and **2** with screws **B**. Follow the measurements.



# Assembly Instructions

## Step 7

Attach spacers **F** to the front legs of your bed with screws **C**. Follow the measurements.



Assembly is complete.

If you need help or have damaged or missing parts, call the **Customer Helpline: 0045 7668 8055**  
E-mail: [order@flexa.dk](mailto:order@flexa.dk)