

Alex Headboard

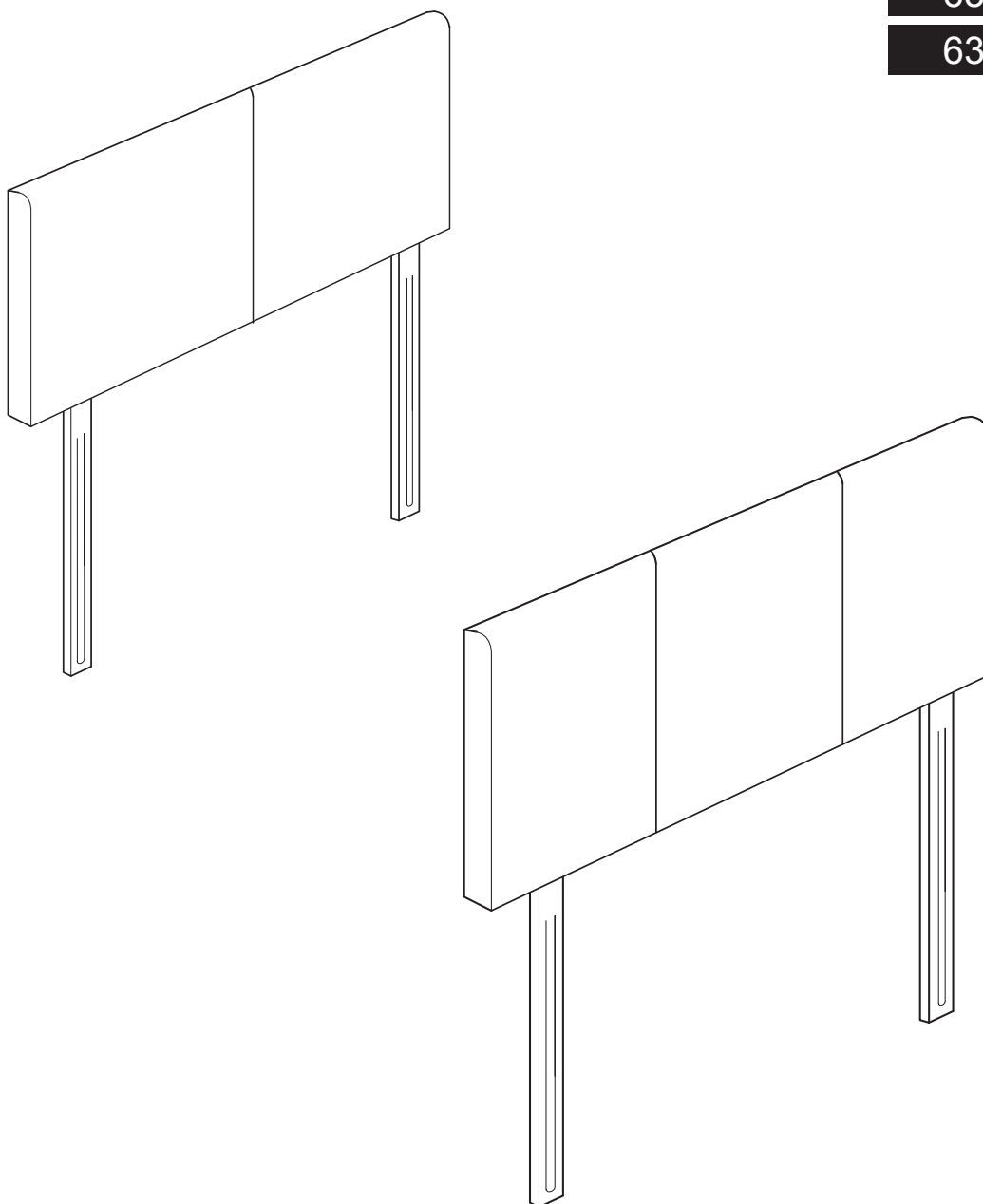
Assembly Instructions - Please keep for future reference

634/1880

634/1897

634/3541

634/3558



Dimensions

Width x Depth x Height

92cm x 5cm x 53.5/105cm (Single)

136cm x 5cm x 53.5/105cm (Double)

Important - Please read these instructions fully before starting assembly

If you need help or have damaged or missing parts, call the **Customer Helpline:0345 6400800**



Safety and Care Advice

Important – Please read these instructions fully before starting assembly

- Check you have all the components and tools listed on pages 2 and 3.
- Remove all fittings from the plastic bags and separate them into their groups.
- Keep children and animals away from the work area, small parts could choke if swallowed.
- Make sure you have enough space to layout the parts before starting.

- Assemble the item as close to its final position (in the same room) as possible.
- Assemble on a soft level surface to avoid damaging the unit or your floor.
- Assembly requires 2 people.
- Do not fully tighten bolts until the whole bed is assembled. Do not overtighten the nuts to avoid causing damage to the threads.



- To reduce the likelihood of damaging your product please ensure that your power drill is set on a low torque setting.
- Dispose of all packaging carefully and responsibly.

Care and maintenance

- Only clean using a damp cloth and mild detergent, do not use bleach or abrasive cleaners.
- From time to time check that there are no loose bolts or screws on this unit.
- This product should not be discarded with household waste. Take to your local authority waste disposal centre.

Handy Hints

- Assemble all parts and bolts loosely during assembly, only once the product is complete should you fully tighten the bolts.
- Regularly check and ensure that all bolts and fittings are tightened properly.

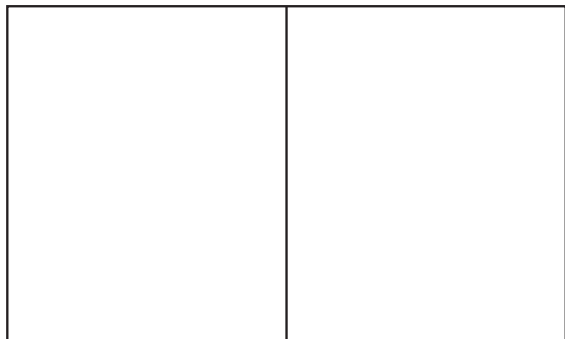
Note: if required the next page can be cut out and used as reference throughout the assembly. Keep this page with these instructions for future reference.

Components

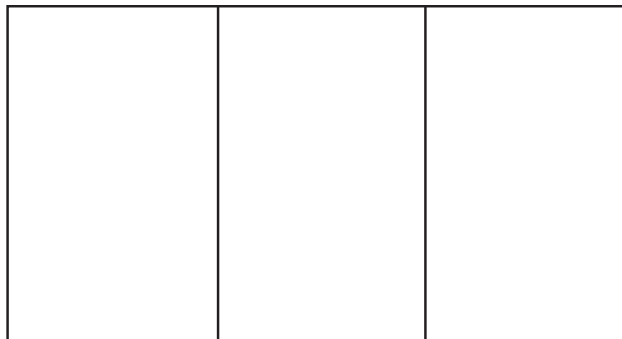
If you have damaged or missing components,
call the Customer Helpline: 0345 6400800

Please check you have all the parts listed below

(Single)



(Double)



1 Headboard



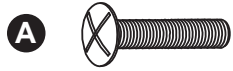
2 Support arms x 2



Components - Fittings

Please check you have all the fittings listed below

Note: The quantities below are the correct amount to complete the assembly. In some cases more fittings may be supplied than are required.

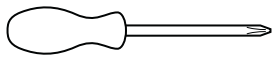


M8 Bolt x 4



M8 Flat washer x 4

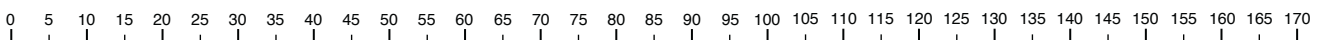
Tools required



Phillips screwdriver



Ruler - Use this ruler to help correctly identify the screws



Assembly Instructions

Attaching support arms

Attach the two support arms **2** to the rear of the headboard **1** using bolts **A** and washers **B** as shown.

Assembly is complete.

