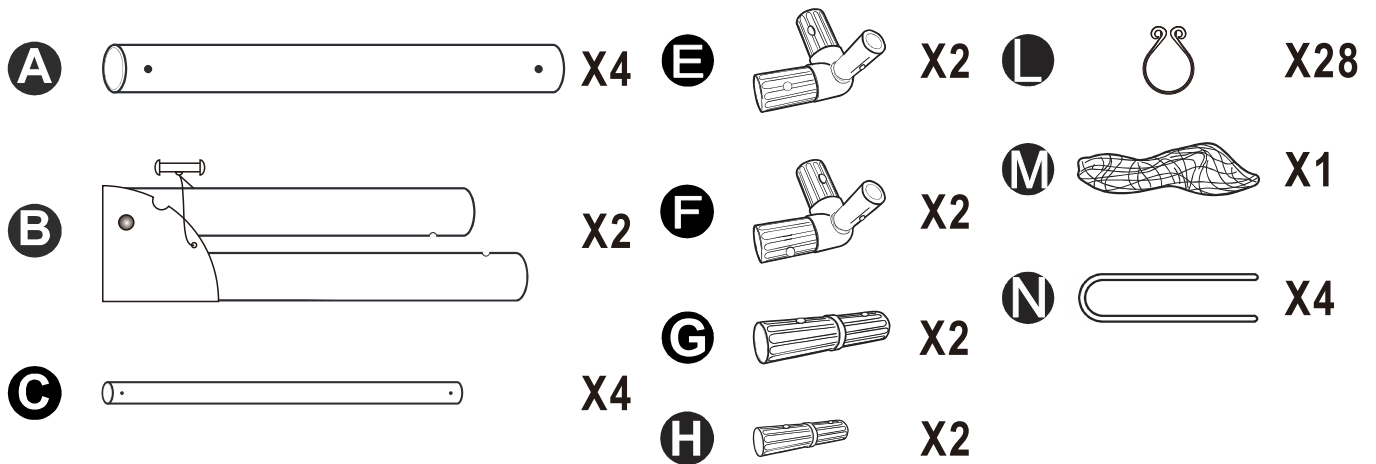


OPTI 8X4FT PVC GOAL

Assembly & User Instructions - Please keep for future reference

7601426

Components - Parts



Assemble Instructions

Ensure all parts are available before assembly.

Put Part B on the ground, unfold and put the toggle on to lock the structure, as below figure..

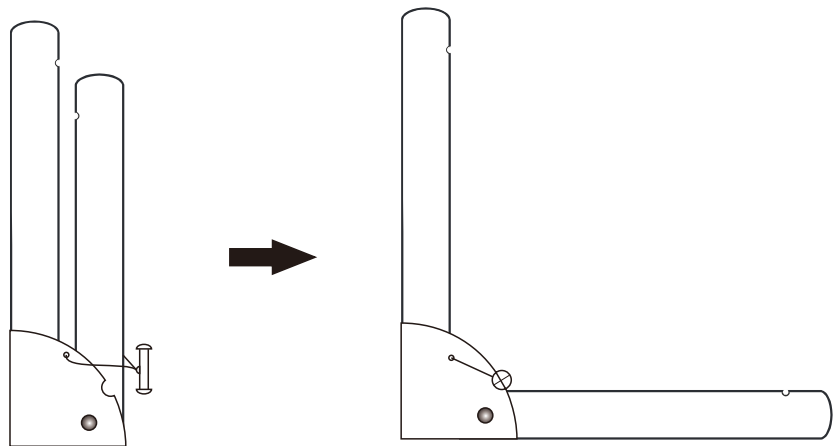


WARNING
Choking Hazard
Not suitable for children under 3 years, as product contains small parts.

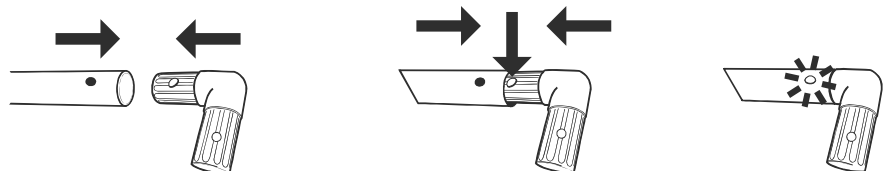


WARNING
A minimum of two people should be used to assemble the goal frame.

To be assembled & dismantled by an adult.
To be used on a flat grass surface
Check all buttons are firmly tight and the frame assembly is securely pegged to ground before use.
Do not leave outdoors in adverse weather conditions.
Do not climb or hang from cross bar.
Check regularly for wear and tear.
Discontinue use if any breakage is found.
Failure to do this may result in injury.
Keep away from fire.
Keep away from heat sources.



Slide the tube over the connector, depress the button continue to slide the tube until the button locates in the tube hole.



Important – Please read these instructions fully before assembly or using

These instructions contain important information which will help you get the best from your equipment and ensure safe and correct assembly, use and maintenance.

If you need help or have damaged or missing parts, call the Customer Helpline: **0345 6402020**