

PLEASE READ BEFORE ASSEMBLY

5+
YEARS

Kickmaster

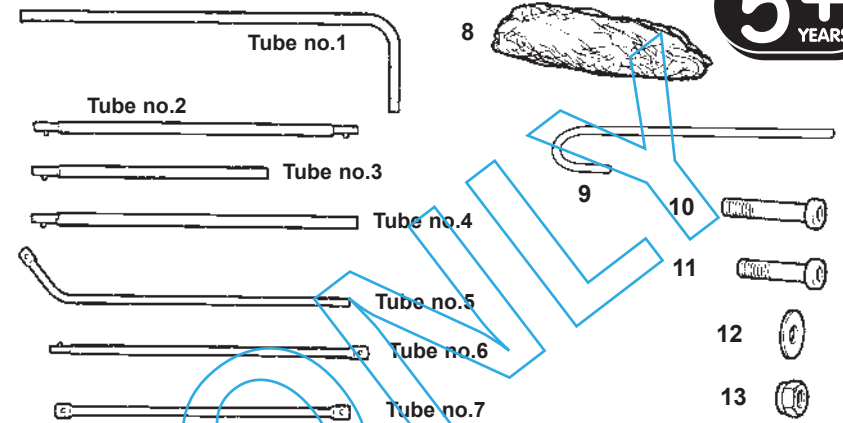
Premier Goal

(5, 6, 7 and 8ft)

CONTENTS:

- Tube no.1 (x2)
- Tube no.2 (x1)
- Tube no.3 (x2)
- Tube no.4 (x2)
- Tube no.5 (x2)
- Tube no.6 (x2)
- Tube no.7 (x2)

- 8 Net (x1)
- 9 Steel peg (x5)
- 10 Long bolt (x4)
- 11 Medium bolt (x2)
- 12 Washer (x6)
- 13 Nut (x6)



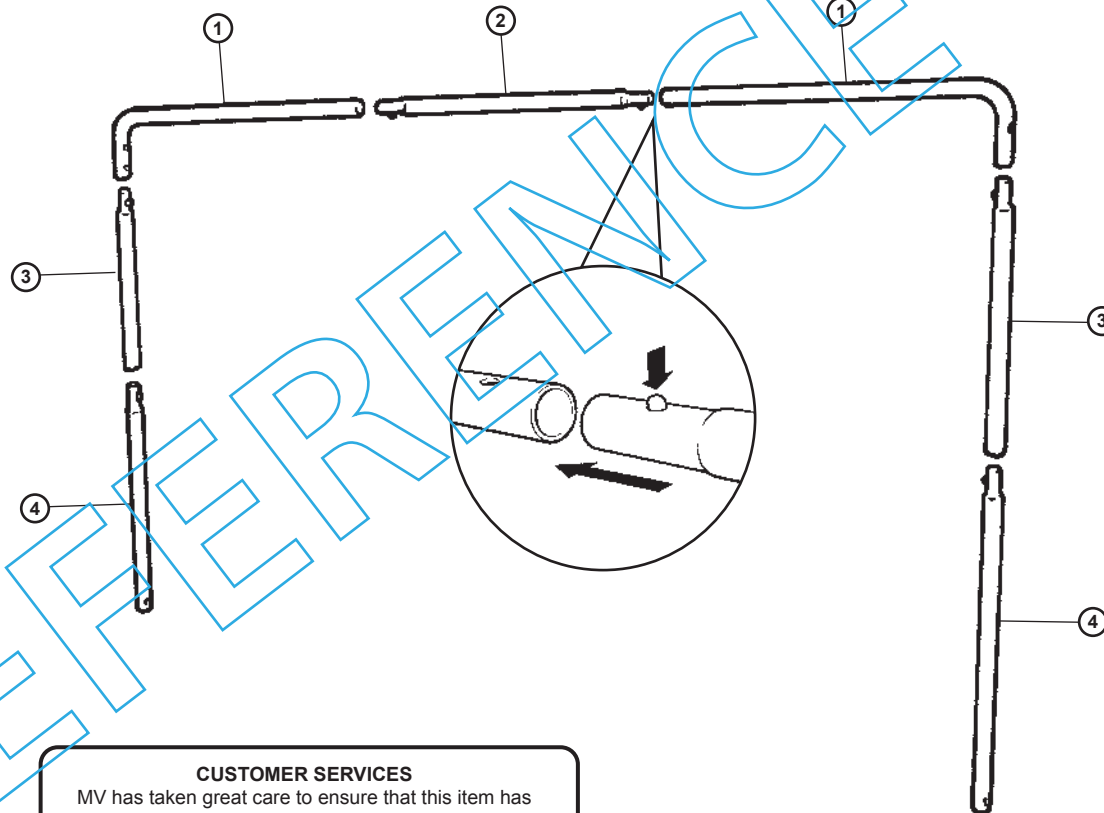
WARNINGS

- To be assembled & dismantled by an adult.
- To be used on a flat surface.
- Check all nuts are firmly tight and the frame assembly is securely located before use.
- Ensure frame is securely pegged to ground before use.
- Do not leave outdoors in adverse weather conditions.
- Do not climb or hang from cross bar.
- Check regularly for wear and tear, discontinue use if any breakage is found. Failure to do this may result in injury.
- Check paintwork regularly, any signs of rust must be treated immediately.
- Keep away from fire.
- Keep away from heat sources.

WARNING! Not suitable for children under 3 years. Small part and long cord. Choking hazard and strangulation hazard.

TOOLS REQUIRED

SUPPLIED

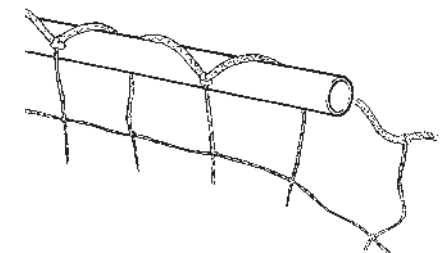


1 FRAME ASSEMBLY

Being careful to select the appropriately numbered tubes (tubes 1, 2, 3 & 4), assemble the frame as illustrated.

2 NET ASSEMBLY

Thread the net over the frame (tubes 1, 2, 3 & 4).



Please retain this leaflet for reference to the manufacturer.

Design and spec may vary.

Made in China to European Safety Standards.

CE The CE mark denotes compliance with the standards laid down by the EC (European Community).

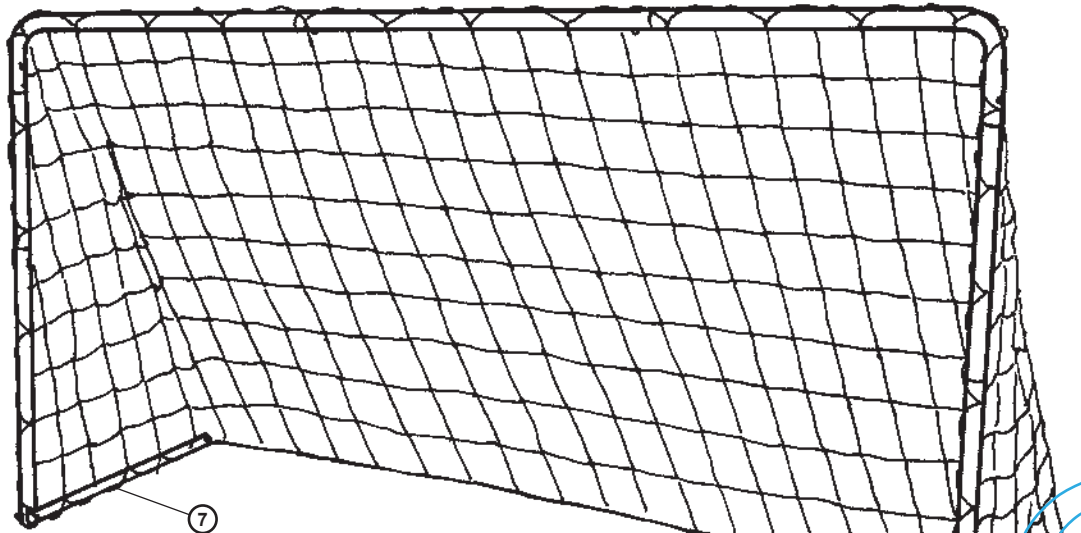
DISTRIBUTED BY



MV SPORTS & LEISURE LTD
35 Tameside Drive • Castle Bromwich •
Birmingham • B35 7AG • UK
www.mvsports.com

CUSTOMER SERVICES

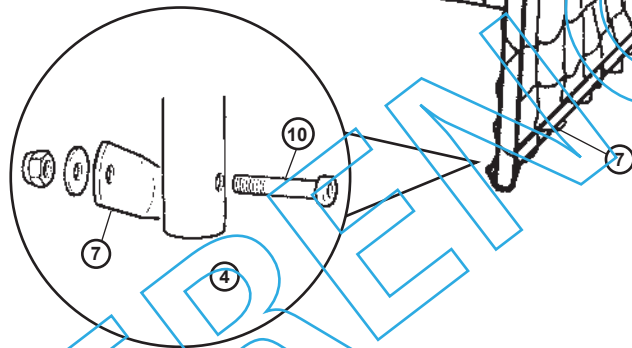
MV has taken great care to ensure that this item has reached you in good condition. Should you have a query, please contact: customer.services@mvsports.com where your query will be dealt with promptly. Alternatively, you can call on 0870 8404255.



3 FRAME & NET ASSEMBLY

Being careful to select the appropriately numbered tubes (tube 7), thread tube 7 through the net and attach to the base of tube 4 using a long bolt as illustrated.

Repeat for second side.



6 SECURING FRAME

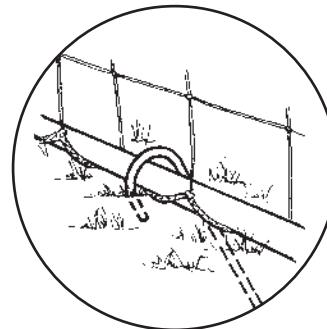
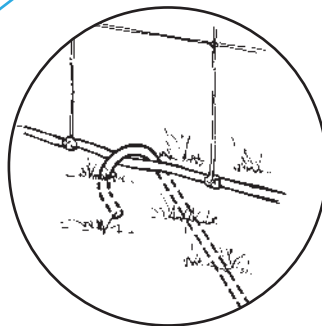
Fix the frame and net to the ground using the pegs supplied. Position around the frame base as illustrated.

Secure pegs using a mallet.

CAUTION: Check regularly that pegs are secure.

Loose pegs may cause injury.

Care should be taken when using a mallet as misuse may cause injury.



4 FRAME & NET ASSEMBLY

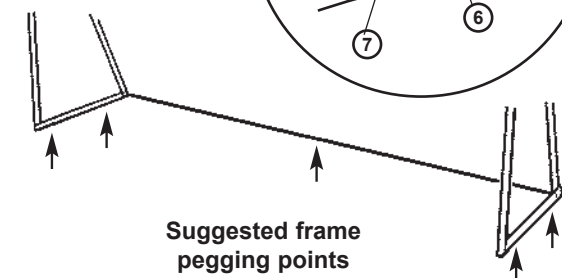
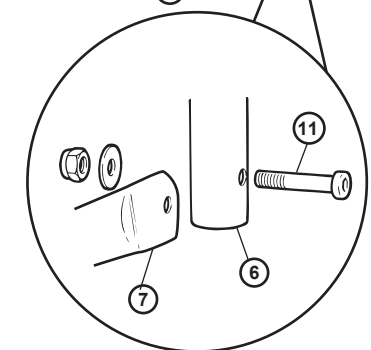
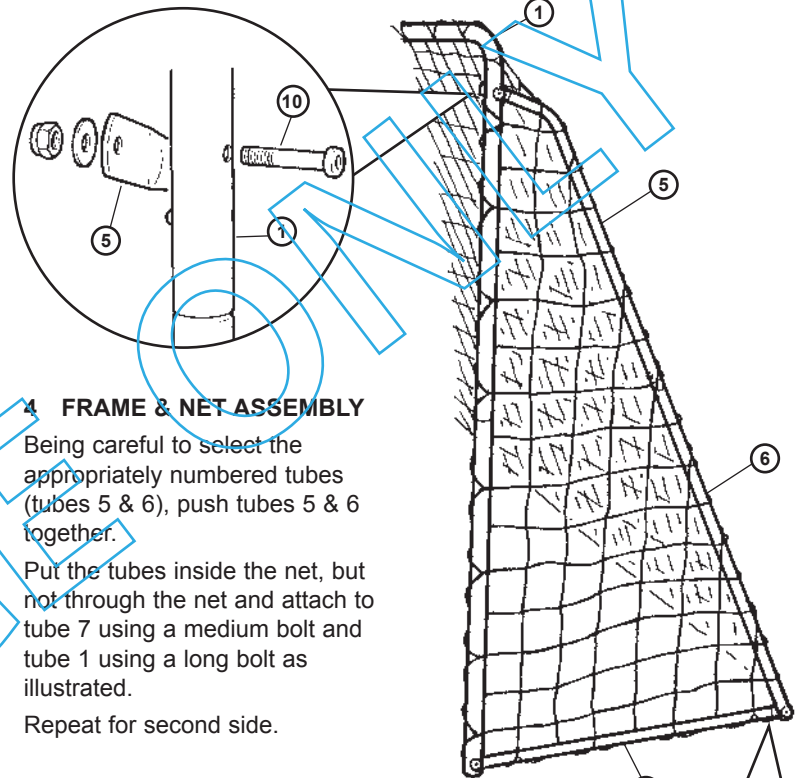
Being careful to select the appropriately numbered tubes (tubes 5 & 6), push tubes 5 & 6 together.

Put the tubes inside the net, but not through the net and attach to tube 7 using a medium bolt and tube 1 using a long bolt as illustrated.

Repeat for second side.

5 FRAME & NET ASSEMBLY

Spread and stretch the net evenly around the frame.



Suggested frame pegging points