

Serie | 4, Heat pump tumble dryer, 8 kg WTH8400GB

A+

- **AutoDry:** gently dries laundry to exactly the degree of dryness you want.
- Easy-to-use LED display with touch control and many additional functions like start delay and remaining time.
- **Sensitive Drying system:** soft, even drying thanks to the unique drum structure.
- **SensitiveDrying System:** the unique drum structure protects and delivers a drying performance without creases.
- **ComfortDisplay:** easy orientation and usability thanks to a big display.

Technical Data

Construction type : Free-standing
Removable work top : No
Door hinge : Right
Length of electrical supply cord : 145.0 cm
Height of removable worktop : 0 mm
Dimensions of the product : 842 x 598 x 613 mm
Net weight : 46.5 kg
Fluorinated greenhouse gases : No
Type of refrigerant : R290
Hermetically sealed equipment : Yes
Quantity of fluorinated gases : 0.100 kg
The quantity expressed in CO2 equivalent : 0.000 t
EAN code : 4242005186228
Connection rating : 600 W
Fuse protection : 10 A
Voltage : 220-240 V
Frequency : 50 Hz
Approval certificates : CE, E17D UKCA marking, VDE
Capacity cotton - NEW (2010/30/EC) : 8.0 kg
Energy efficiency rating : A+
Energy consumption electric dryer, full load - NEW (2010/30/EC) : 2.18 kWh
Standard cotton programme time at full load : 226 min
Energy consumption electric dryer, partial load - NEW (2010/30/EC) : 1.28 kWh
Standard cotton programme time at partial load : 137 min
Weighted annual energy consumption, electric dryer - NEW (2010/30/EC) : 270.0 kWh/annum
Weighted programme time : 175 min
Average condensation efficiency full load (%) : 81 %
Average condensation efficiency partial load (%) : 81 %
Weighted condensation efficiency (%) : 81 %

Optional accessories

WTZ11400 : Stacking kit with pull-out shelf
WTZ20410 : Stacking kit



Serie | 4, Heat pump tumble dryer, 8 kg WTH8400GB

Performance

- Energy Efficiency Class: A+ at a range of energy efficiency classes from A+++ to D
- Capacity: 8 kg
- Energy consumption 270.0 kWh per year, based on 160 drying cycles of the standard cotton programme at full and partial load, and the consumption of the low-power modes. Actual energy consumption per cycle will depend on how the appliance is used
- Energy consumption of the standard cotton programme at full load 2.18 kWh and energy consumption of the standard cotton programme at half load 1.28 kWh
- The programme Cotton Eco used at full and partial load is the standard drying programme to which the information in the label and the fiche relates, this programme is suitable for drying normal wet cotton laundry and is the most efficient programme in terms of energy consumption for cotton.
- Programme time of the standard cotton programme at full load 226 min and programme time of the standard cotton programme at partial load 137 min.
- Weighted programme time of the standard cotton programme at full and partial load: 175 min.
- Condensation efficiency class B on a scale from G (least efficient) to A (most efficient).
- Average condensation efficiency of the standard cotton programme at full load 81 % and average condensation efficiency of the standard cotton programme at partial load 81 %.
- Weighted condensation efficiency for the standard cotton programme at full and partial load: 81 %.
- Power consumption in off-mode 0.1 W and in left-on mode 0.5 W
- Noise level: 65 dB (A) re 1 pW

Programmes/functions

- Fully electronic control dial for sensor drying, including timed and special programmes
- Special programmes: Mixed Load, Towels, Time prog. 30 min. cold, Time prog. 30 min. warm, Sportswear, Down, Super Quick 40, Shirts/blouses
- Touch control buttons: start/pause, Reduced ironing, fine-tuning for drying level, 24 h, end Time Delay

Key features

- Sensitive drying: large galvanised drum and revolution drying system
- AntiVibration design: for greater stability and quietness

Additional features

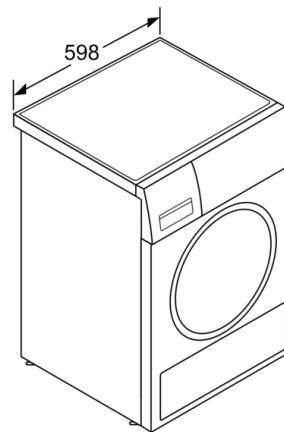
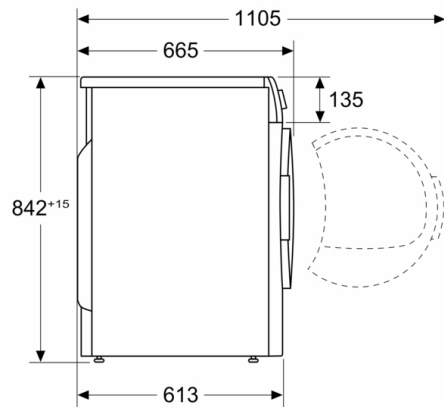
- LED Display for remaining time and 24 hours time delay, programme status indication, special functions
- Anti crease cycle 120 minutes at the end of the programme
- Warning for fluff filter and condensed water container
- Full container tank indicator
- EasyClean filter
- Child lock
- Buzzer to indicate the end of cycle
- Container for condensed water
- Metal door catch

Technical Information

- slide-under installation
- Dimensions (H X W X D): 84.2 x 59.8 x 63.6 cm
- Door hinge: right-hand

**Serie | 4, Heat pump tumble dryer, 8 kg
WTH8400GB**

Measurements in mm



measurements in mm