



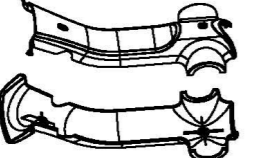




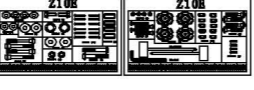



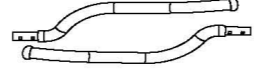
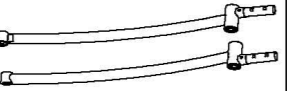
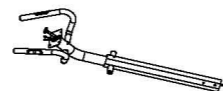
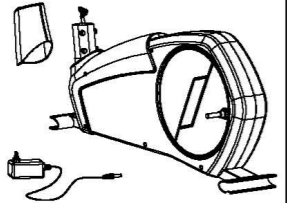



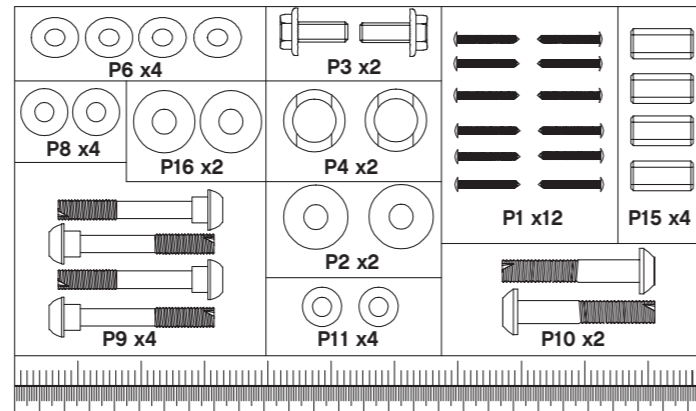
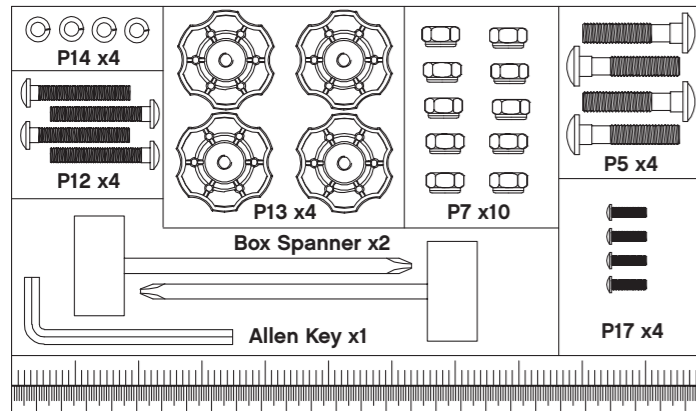
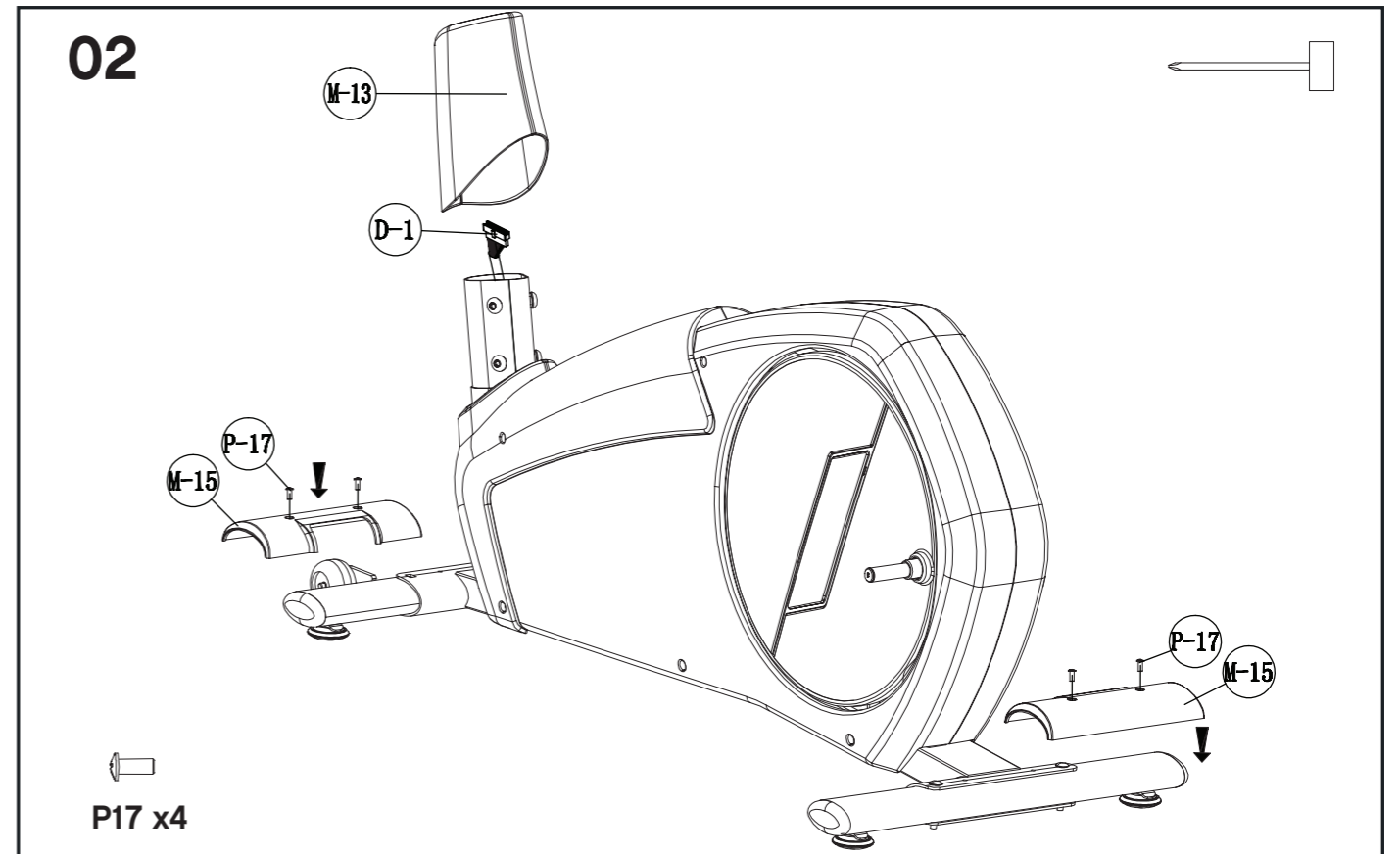
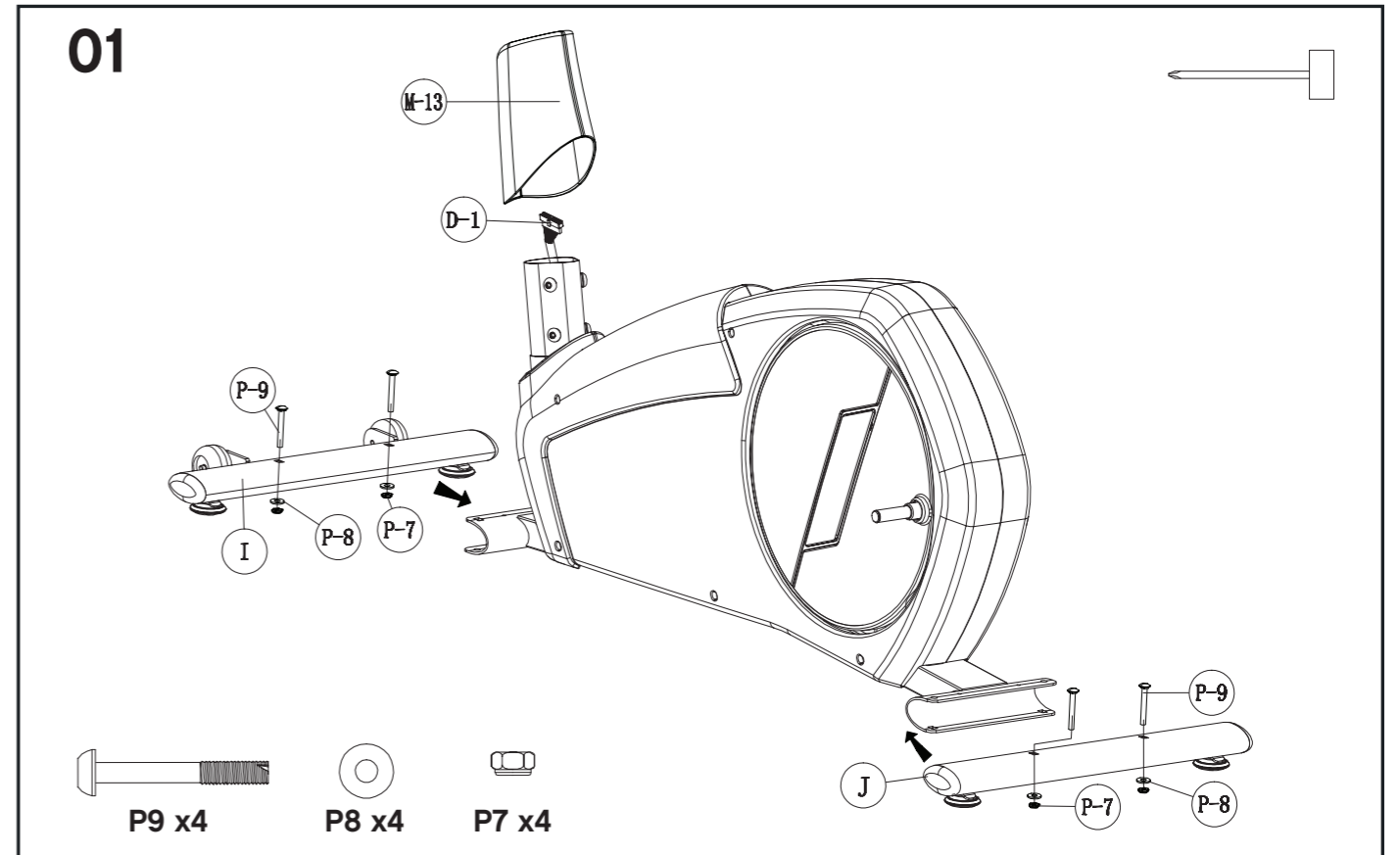
[reebokfitness.com](http://reebokfitness.com)



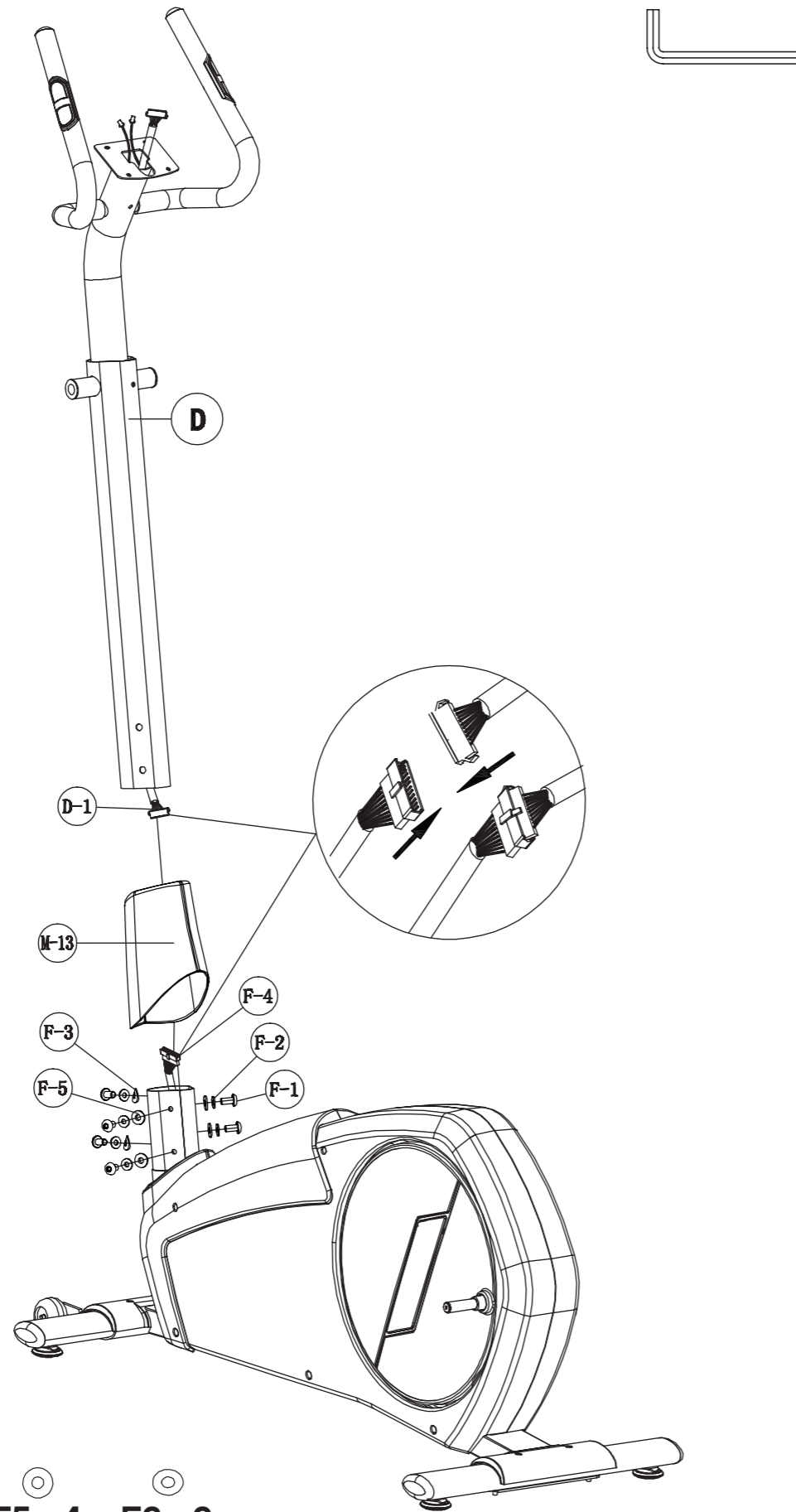
## **JET 300 ELLIPTICAL ASSEMBLY GUIDE**



A		1	M-5 M-6		2
M-1 M-2		1/1	M-3 M-4		2
M-16		1	M-8 M-9 M-11 M-12		2
M-7 M-10		1/1	P		1
M-15		1/1	L-L		1
L-R		1	C-3 C-4		1/1
E-L E-R		1/1	D-3		1
M-13 F-25 B		1/1	I J		1/1

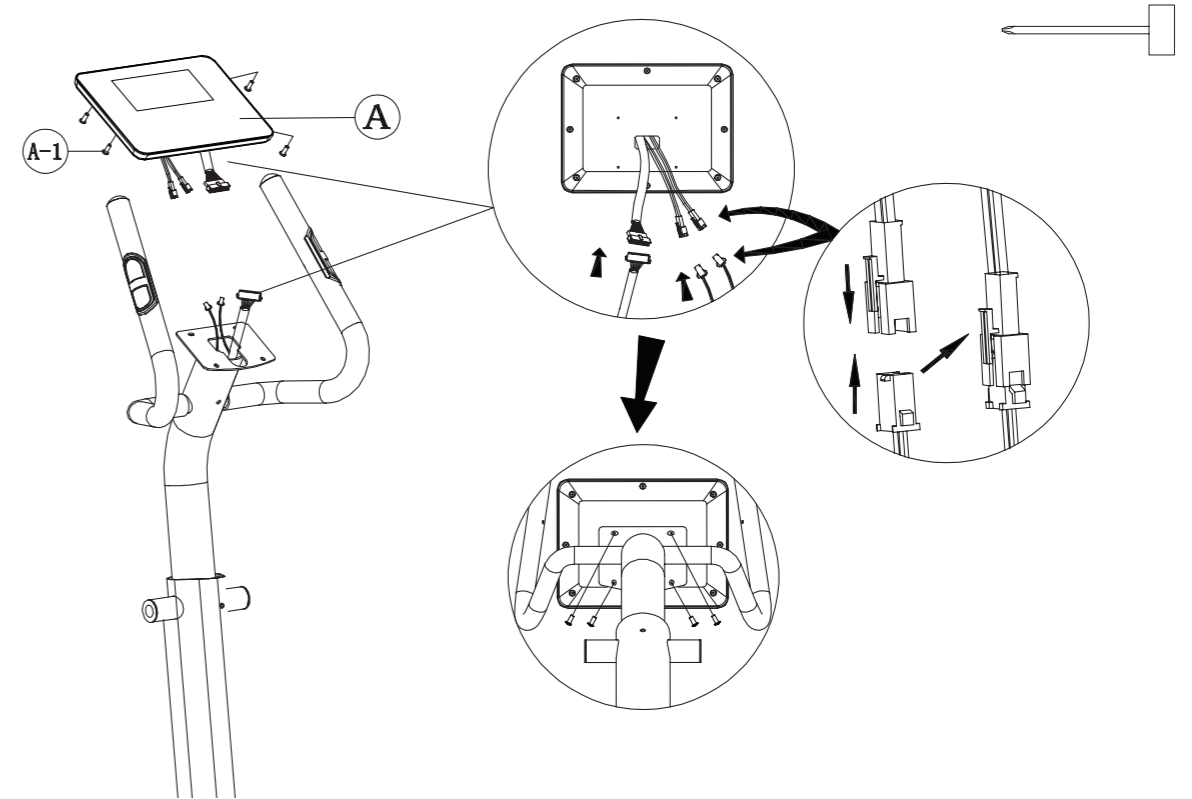


03



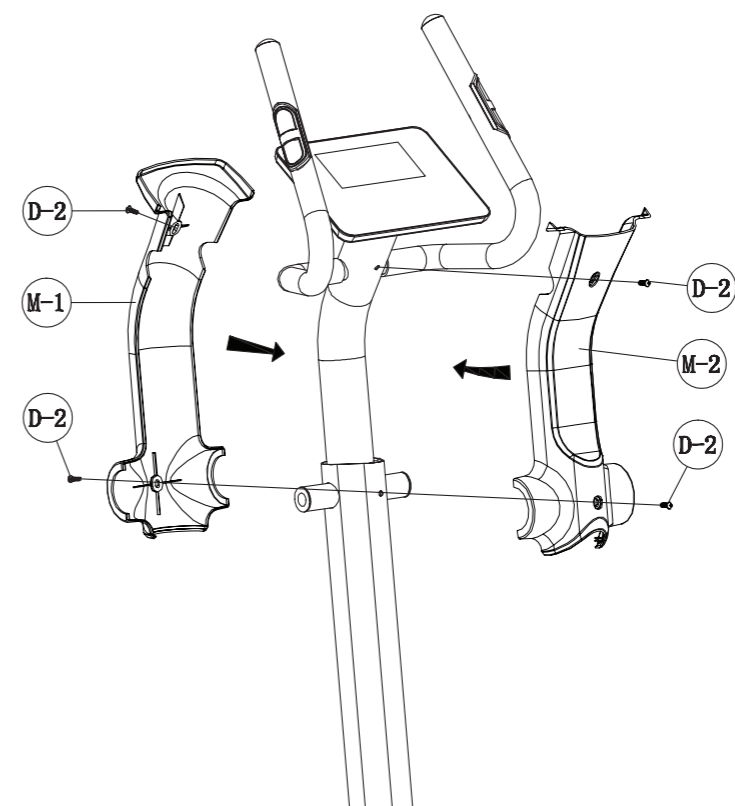
F2 x6   F1 x6   F5 x4   F3 x2

04



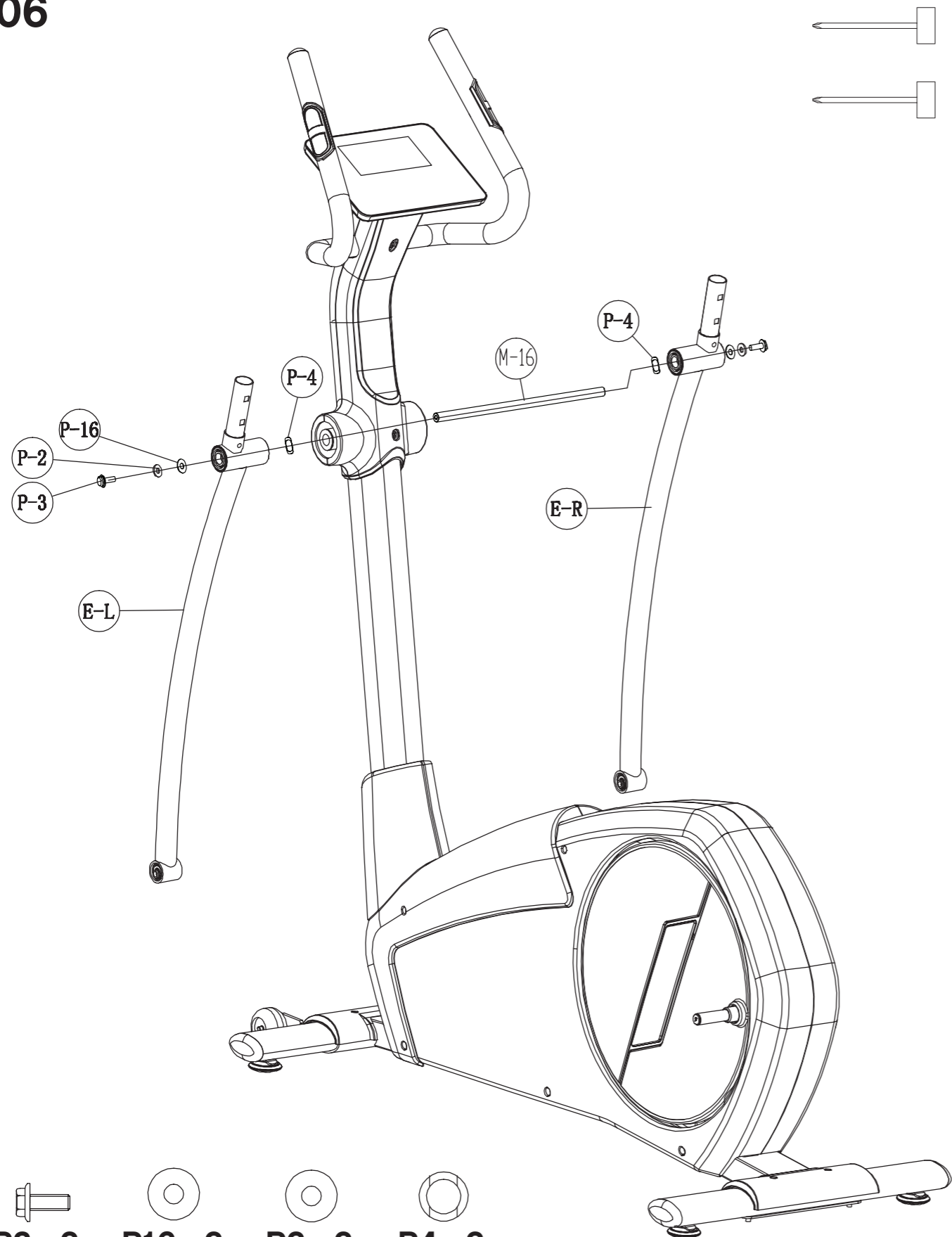
A1 x4

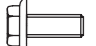



05



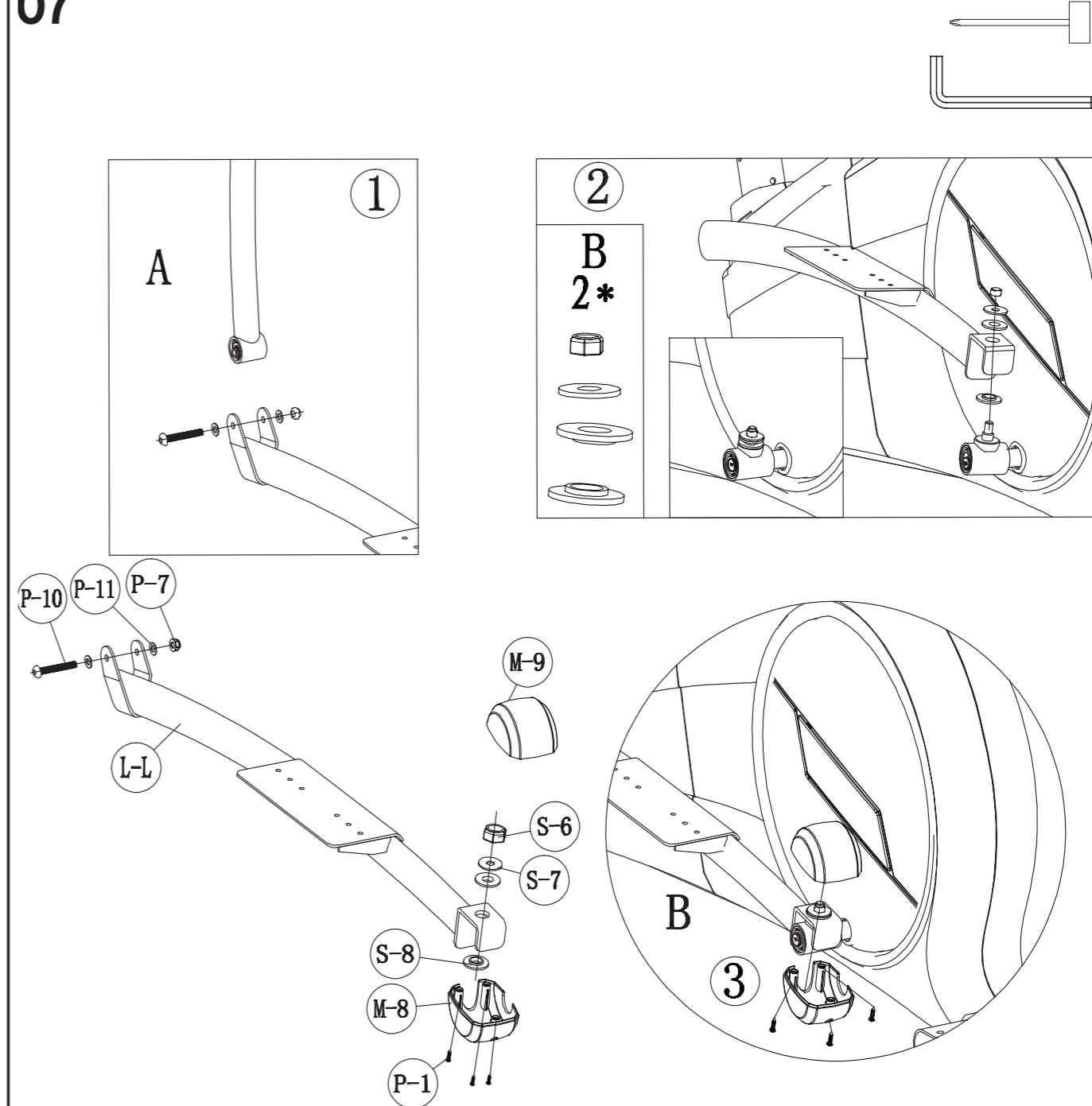
D2 x4




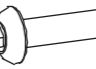


06



-  P3 x2
-  P16 x2
-  P2 x2
-  P4 x2

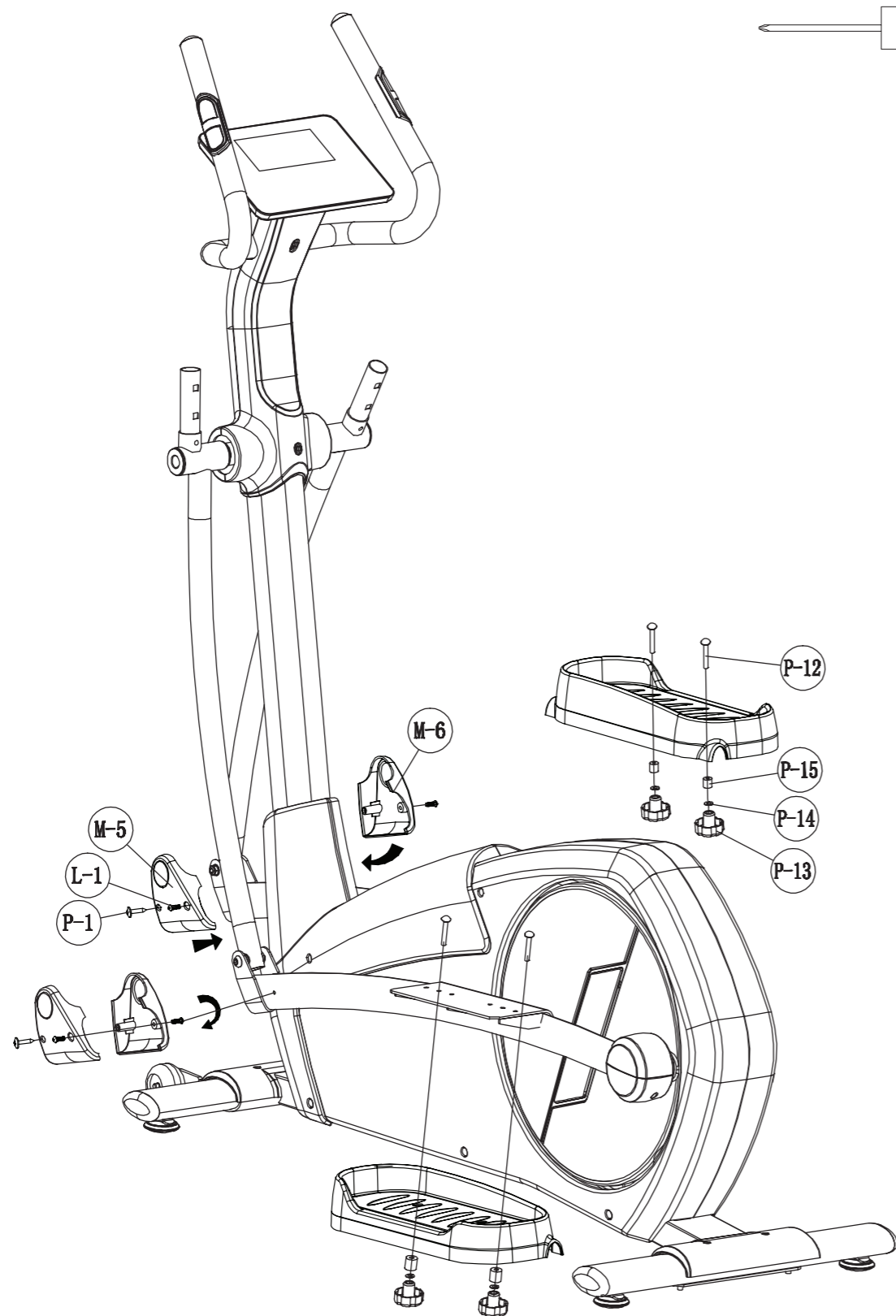
07



-  P1 x6
-  S8 x4
-  S7 x2
-  P10 x2
-  P11 x4
-  P7 x2

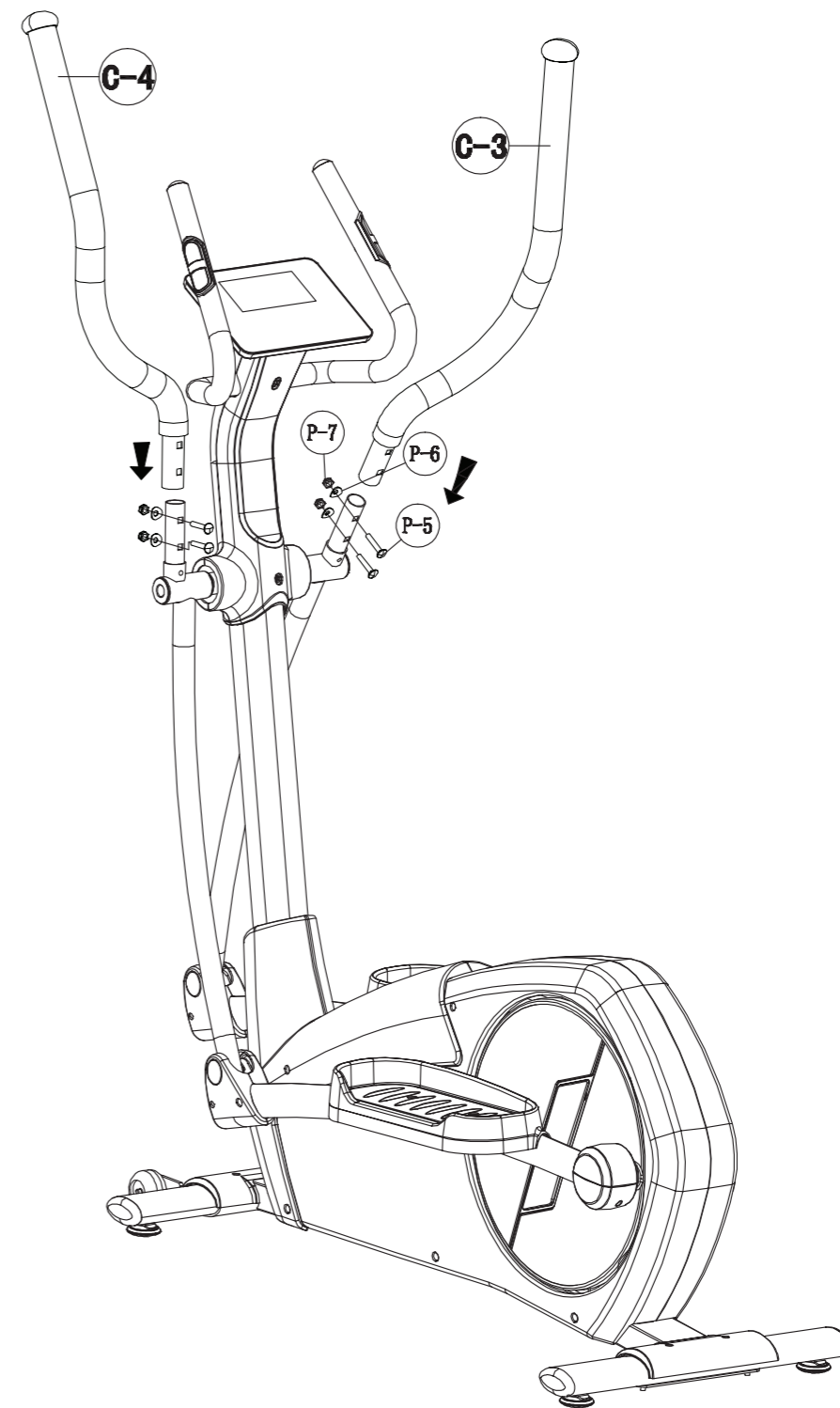


08



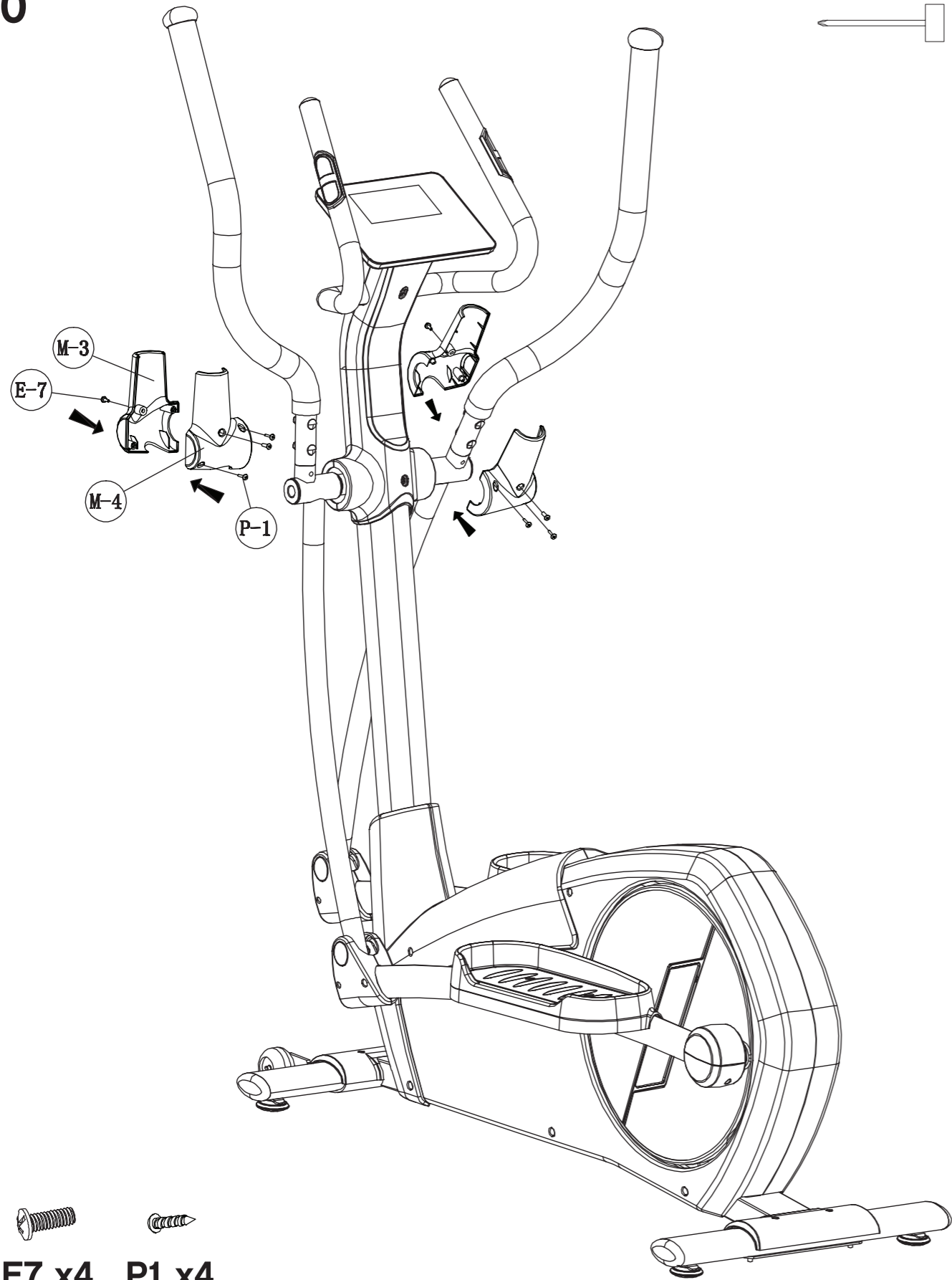
-  P12 x4
-  P15 x4
-  P14 x4
-  P13 x4
-  P1 x2
-  L1 x4

9



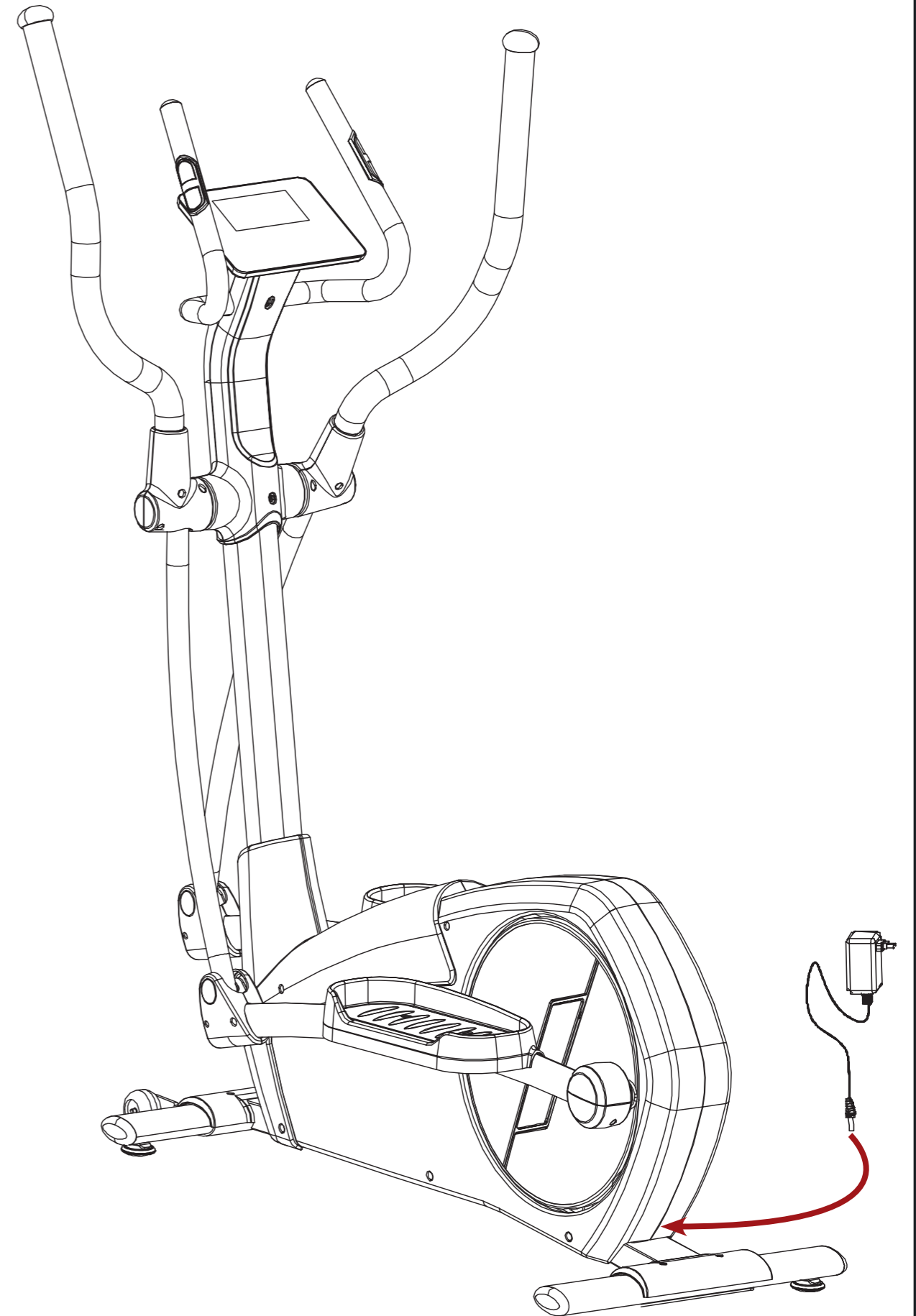
-  P5 x4
-  P6 x4
-  P7 x4

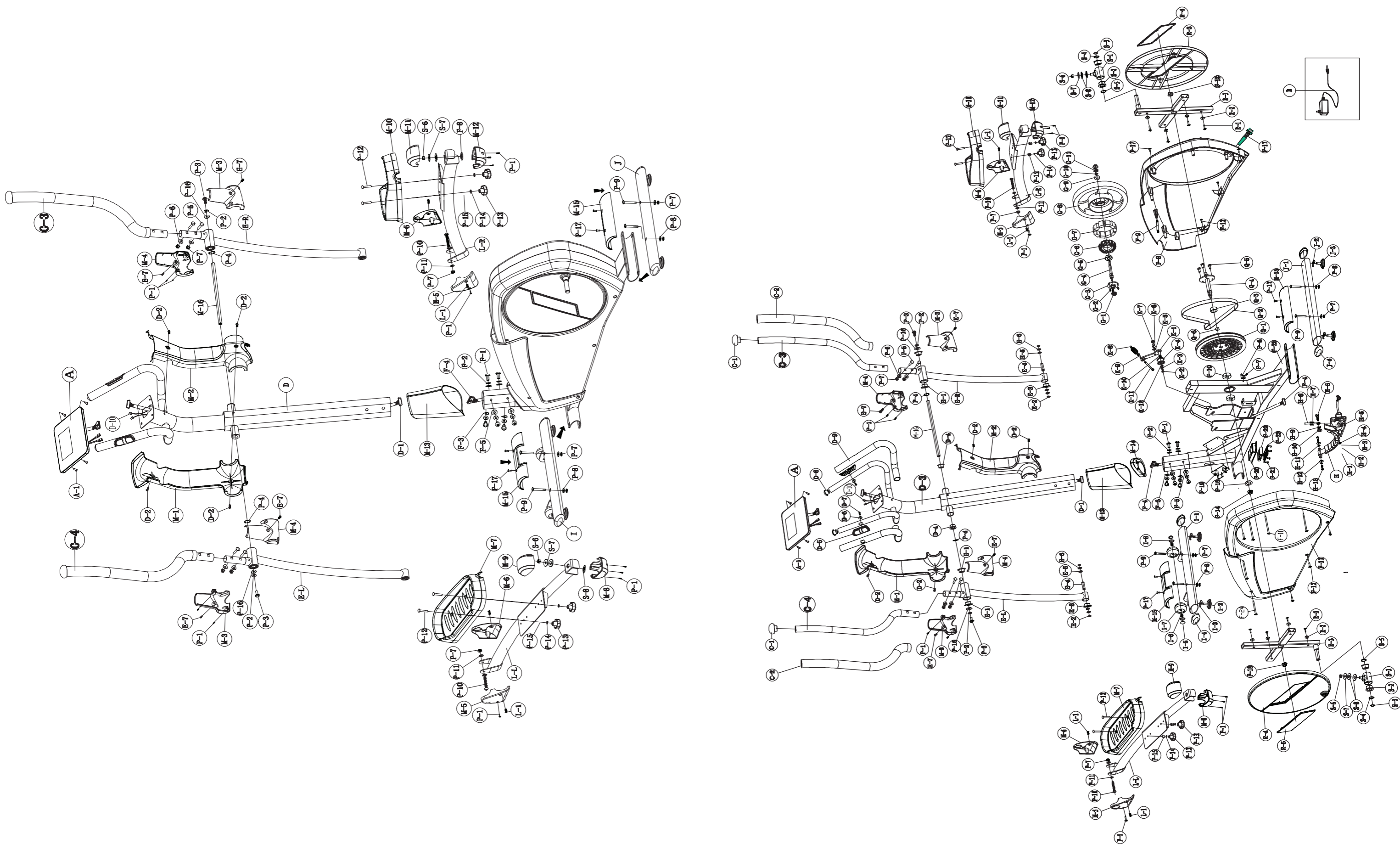
10



E7 x4 P1 x4

11





No.	Description	Quantity	No.	Description	Quantity
A	Console	1	I-3	cap for adjust foot cap	2
A-1	Screw	4	I-4	End cap for stabilizer	2
B	Adaptor	1	I-5	Nut	2
C	Upper handlebar set (incl. C-1~C-4)	1	I-6	Bushing	2
C-1	End cap	2	I-7	Transportation wheel	2
C-2	Foam grip for fixed handlebar	2	I-8	C type ring	2
C-3	Right upper handlebar	1	J	Rear stabilizer set (incl. J-1~J4)	1
C-4	Left upper handlebar	1	J-1	Rear stabilizer	1
D	Handlebar post	1	J-2	cap for adjust foot cap	2
D-1	Upper cable wire	1	J-3	Adjust foot cap	2
D-2	Screw	4	J-4	End cap for stabilizer	2
D-3	Handlebar post	1	K	Idler set	1
D-4	Bushing	2	K-1	Idler	1
D-5	Handle Pulse	2	K-2	Hex. Screw	1
D-6	Semi circle washer	2	K-3	Flat washer	1
D-7	Screw	2	K-4	Idler wheel	1
D-8	Cap	2	K-5	Flat washer	1
D-9	Foam grip for handlebar	2	K-6	Hex. Screw	1
D-10	Handpulse wire	1	K-7	Nylon Nut	1
E	Lower handlebar set (incl. E-L~E-7)	1	K-8	Spring	1
E-L	Left lower handlebar	1	K-9	Spring bracket	1
E-R	Right lower handlebar	1	K-10	Wave washer	2
E-1	Bushing	4	K-11	Hex. Screw	1
E-2	C type ring	4	K-12	Flat washer	1
E-3	Bushing	4	L	Pedal arm set	1
E-4	Bushing	2	L-L	Left pedal arm	1
E-5	Flat washer	4	L-1	Screw	4
E-6	Wave washer	4	L-R	Right pedal arm	1
E-7	Screw	4	M-1	Front cover for handlebar	1
F	Main frame set	1	M-2	Rear cover for handlebar	1
F-1	Screw	6	M-3	Front cover for upper handlebar	2
F-2	Spring washer	6	M-4	Rear cover for upper handlebar	2
F-3	Semi circle washer	2	M-5	Left front cover for pedal arm	2
F-4	Lower cable wire	1	M-6	Right front cover for pedal arm	2
F-5	Flat washer	4	M-7	Pedal(Left)	1
F-6	Sensor bracket	1	M-8	Left upper rear cover for pedal arm	1
F-7	Screw	1	M-9	Left lower rear cover for pedal arm	1
F-8	Right chain cover	1	M-10	Pedal (Right)	1
F-9	Connecting pole for chain cover	1	M-11	Right upper rear cover for pedal arm	1
F-10	6004RS bearing	2	M-12	Right lower rear cover for pedal arm	1
F-11	Screw	4	M-13	Cover for handlebar post	1
F-12	Screw	8	M-14	Sleeve for handlebar post	1
F-13	Left chain cover	1	M-15	Cover for rear stabilizer	2
F-14	C type ring	1	M-16	Axle for handlebar	1
F-15	Wave washer	1	P	Hardware kit	1
F-16	Flat washer	1	P-1	Screw	12
F-17	DC wire	1	P-2	Flat washer	2
F-18	Nute	2	P-3	Nylok screw	2
F-19	Control board	1	P-4	Wave washer	2
F-20	Lower cover for battery box	1	P-5	Carriage screw	4
F-21	Screw	4	P-6	Semi circle washer	4
F-22	Battery	5	P-7	Nylon Nut	10
F-23	Upper cover for battery box	1	P-8	Flat washer	4
F-24	Screw	1	P-9	Carriage screw	4
F-25	Main frame	1	P-10	Screw	2
G	Flywheel set (incl. G-1~G-11)	1	P-11	Flat washer	4
G-1	Nut	1	P-12	Carriage screw	4
G-2	Screw	3	P-13	Knob for pedal	4
G-3	End cap for coil set	1	P-14	Spring washer	4
G-4	Axle for flywheel	1	P-15	Bushing	4
G-5	6202RS bearing	1	P-16	Teflon washer	2
G-6	Coil set	1	P-17	Screw	4
G-7	Magnet	10	Q	Axle set (incl. Q-1~Q-6)	1
G-8	Flywheel	1	Q-1	Pulley	1
G-9	6000RS bearing	1	Q-2	Belt	1
G-10	Flat washer	1	Q-3	Bushing	1
G-11	Nut	1	Q-4	Axle	1
H	Magnetic set (incl. H-1~H13)	1	Q-5	Hex. Screw	3
H-1	Hex. Screw	1	Q-6	Magnet for pulley	1
H-2	Flat washer	1	R	Disc Set (incl. R-1~R-5)	2
H-3	Bushing	1	R-1	Screw	4
H-4	Nylon Nut	1	R-2	Flat washer	4
H-5	Gear box	1	R-3	Disc	1
H-6	Screw	1	R-4	Disc cover	1
H-7	Hex. Screw	2	R-5	Cap for disc cover	1
H-8	Adjustor	1	S	Universal linkage of pedal arm set (incl. S-1~S-8)	2
H-9	Bushing	1	S-1	Universal linkage of pedal arm	1
H-10	Flat washer	1	S-2	Bushing	2
H-11	Spring washer	2	S-3	C type ring	1
H-12	Flat washer	2	S-4	Flat washer	1
H-13	Hex. Screw	2	S-5	Wave washer	1
I	Front stabilizer set (incl. I-1~I-8)	1	S-6	Nylon Nut	1
I-1	Front stabilizer	1	S-7	Flat washer	1
I-2	Adjust foot cap	2	S-8	Sleeve	2

