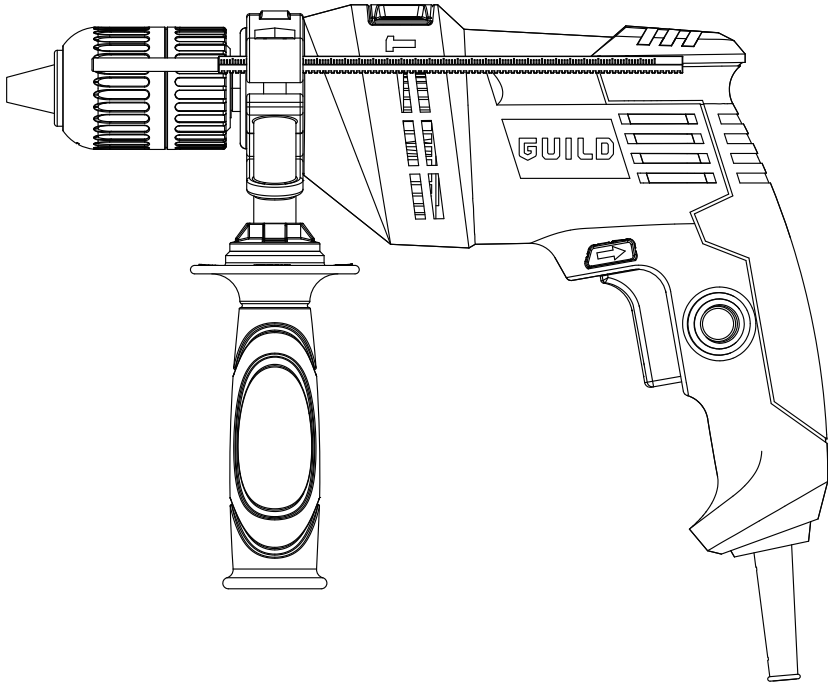


GUILD

600W Hammer Drill

Original Instruction Manual

PDI600GL



GUILD

After Sales Support

UK/Ireland 0333 3201989
Help@guildpowertools.co.uk

Important - Please read these instructions fully before operating or maintaining your Guild Hammer Drill

These instructions contain important information that will help you get the best from your Guild Hammer Drill, ensuring it remains safe to operate.
If you need help or have damaged or missing parts, call the Customer Helpline on 0333 3201989

Contents

Safety Information	3
In The Box	6
Accessories	6
Operating Instructions	7
Working Hints For Your Hammer Drill	10
Maintenance	10
TroubleShooting	10
Technical Data	11
Environmental Protection	12
Guarantee	13
Plug Replacement (Uk & Ireland Only)	14



Safety Information

Important - Please read these instructions fully before starting assembly

Warning Symbols

The following warning symbols appear throughout this assembly manual and indicate the appropriate safety measures you should take when assembling and operating the multi function tool.



To reduce the risk of injury, user must read instruction manual



Wear eye protection



Wear ear protection



Wear dust mask



Warning



Double insulation



Waste electrical products must not be disposed of with household waste. Please recycle where facilities exist. Check with your local authorities or retailer for recycling advice.



Safety Information

Important - Please read these instructions fully before starting assembly

General Power Tool Safety Warnings



WARNING! Read all safety warnings and all instructions. Failure to follow the warnings and instructions may result in electric shock, fire and/or serious injury.

Save all warnings and instructions for future reference.

The term "power tool" in the warnings refers to your mains-operated (corded) power tool or battery-operated (cordless) power tool.

1) Work area safety

- a) **Keep work area clean and well lit.** Cluttered or dark areas invite accidents.
- b) **Do not operate power tools in explosive atmospheres, such as in the presence of flammable liquids, gases or dust.** Power tools create sparks which may ignite the dust or fumes.
- c) **Keep children and bystanders away while operating a power tool.** Distractions can cause you to lose control.

2) Electrical safety

- a) **Power tool plugs must match the outlet. Never modify the plug in any way. Do not use any adapter plugs with earthed (grounded) power tools.** Unmodified plugs and matching outlets will reduce risk of electric shock.
- b) **Avoid body contact with earthed or grounded surfaces, such as pipes, radiators, ranges and refrigerators.** There is an increased risk of electric shock if your body is earthed or grounded.
- c) **Do not expose power tools to rain or wet conditions.** Water entering a power tool will increase the risk of electric shock.
- d) **Do not abuse the cord. Never use the cord for carrying, pulling or unplugging the power tool. Keep cord away from heat, oil, sharp edges or moving parts.** Damaged or entangled cords increase the risk of electric shock.
- e) **When operating a power tool outdoors, use an extension cord suitable for outdoor use.** Use of a cord suitable for outdoor use reduces the risk of electric shock.
- f) **If operating a power tool in a damp location is unavoidable, use a residual current device (RCD) protected supply.** Use of an RCD reduces the risk of electric shock.

3) Personal safety

- a) **Stay alert, watch what you are doing and use common sense when operating a power tool. Do not use a power tool while you are tired or under the influence of drugs, alcohol or medication.** A moment of inattention while operating power tools may result in serious personal injury.
- b) **Use personal protective equipment. Always wear eye protection.** Protective equipment such as dust mask, non-skid safety shoes, hard hat, or hearing protection used for appropriate conditions will reduce personal injuries.
- c) **Prevent unintentional starting. Ensure the switch is in the off-position before connecting to power source and/or battery pack, picking up or carrying the tool.** Carrying power tools with your finger on the switch or energising power tools that have the switch on invites accidents.
- d) **Remove any adjusting key or wrench before turning the power tool on.** A wrench or a



Safety Information

Important - Please read these instructions fully before starting assembly

General Power Tool Safety Warnings

- key left attached to a rotating part of the power tool may result in personal injury.
- e) **Do not overreach. Keep proper footing and balance at all times.** This enables better control of the power tool in unexpected situations.
 - f) **Dress properly. Do not wear loose clothing or jewellery. Keep your hair, clothing and gloves away from moving parts.** Loose clothes, jewellery or long hair can be caught in moving parts.
 - g) **If devices are provided for the connection of dust extraction and collection facilities, ensure these are connected and properly used.** Use of dust collection can reduce dust-related hazards.
- 4) **Power tool use and care**
- a) **Do not force the power tool. Use the correct power tool for your application.** The correct power tool will do the job better and safer at the rate for which it was designed.
 - b) **Do not use the power tool if the switch does not turn it on and off.** Any power tool that cannot be controlled with the switch is dangerous and must be repaired.
 - c) **Disconnect the plug from the power source and/or the battery pack from the power tool before making any adjustments, changing accessories, or storing power tools.** Such preventive safety measures reduce the risk of starting the power tool accidentally.
 - d) **Store idle power tools out of the reach of children and do not allow persons unfamiliar with the power tool or these instructions to operate the power tool.** Power tools are dangerous in the hands of untrained users.
 - e) **Maintain power tools. Check for misalignment or binding of moving parts, breakage of parts and any other condition that may affect the power tool's operation. If damaged, have the power tool repaired before use.** Many accidents are caused by poorly maintained power tools.
 - f) **Keep cutting tools sharp and clean.** Properly maintained cutting tools with sharp cutting edges are less likely to bind and are easier to control.
 - g) **Use the power tool, accessories and tool bits etc. in accordance with these instructions, taking into account the working conditions and the work to be performed.** Use of the power tool for operations different from those intended could result in a hazardous situation.
- 5) **Service**
- a) **Have your power tool serviced by a qualified repair person using only identical replacement parts.** This will ensure that the safety of the power tool is maintained.

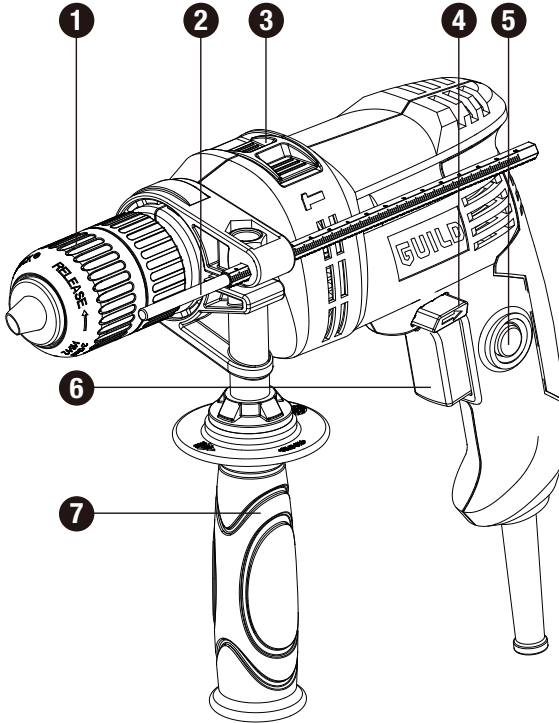
Hand drill safety instructions

1. **Wear ear protectors when impact drilling.** Exposure to noise can cause hearing loss.
2. **Use auxiliary handle(s), if supplied with the tool.** Loss of control can cause personal injury.
3. **Hold power tool by insulated gripping surfaces, when performing an operation where the cutting accessory may contact hidden wiring or its own cord.** Cutting accessory contacting a "live" wire may make exposed metal parts of the power tool "live" and could give the operator an electric shock.

In The Box

Parts

- ① Keyless chuck
- ② Depth gauge
- ③ Hammer or drilling control
- ④ Forward/reverse selector switch
- ⑤ Switch lock-on button
- ⑥ On/Off switch
- ⑦ Auxiliary handle



Accessories

Auxiliary handle
Depth gauge

1pc
1pc

Operating Instructions



NOTE: Before using the tool, read the instruction book carefully.

Intended Use

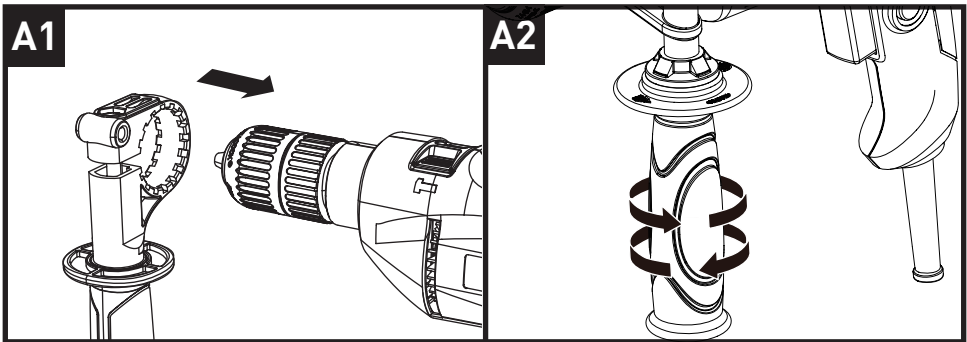
This tool is intended for impact drilling in brick, concrete and stone as well as for drilling in wood, metal and plastic.

1. AUXILIARY HANDLE (SEE FIG A1, A2)

Slide the handle onto the drill and rotate to the desired working position. Make sure that the teeth on the grip fit in the protrusions on the handle collar. To clamp the auxiliary handle, rotate the handgrip clockwise. To loosen the auxiliary handle, rotate the hand grip anti-clockwise. Always use the auxiliary handle.



WARNING! Always check and rotate the handle tightly before using to avoid any accident.



2. INSTALLING AND USING THE DEPTH GAUGE(SEE FIG B1, B2, B3)

-Installing the depth gauge:

The depth gauge can be used to set a constant depth to drill. To use the depth gauge, loosen the handle by rotating the bottom section of handle anti-clockwise. Insert the depth gauge through hole in handle. Slide the depth gauge to required depth and tighten fully.

-How to use the depth gauge:

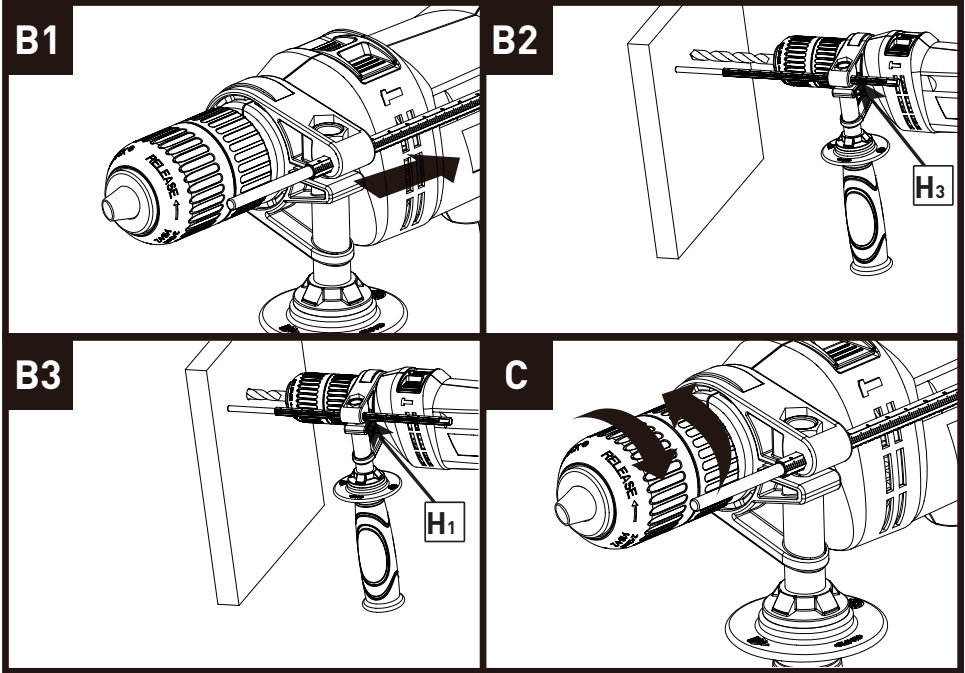
1) Install the drill bit.

2) Then adjust the depth gauge to the same height with the bit, as shown in Fig. B2. Now the indicated scale of the depth gauge is H_1 .

3) If the drill depth needs to be H_2 , adjust the depth gauge to the scale of H_3 ($H_3 = H_1 - H_2$), as shown in Fig. B3.

NOTE: The direction of the ungraduated end of the depth gauge should be the same as the direction of the chuck, see Fig. B1.

Operating Instructions





3. INSERTING A DRILL BIT INTO THE CHUCK (SEE FIG C)

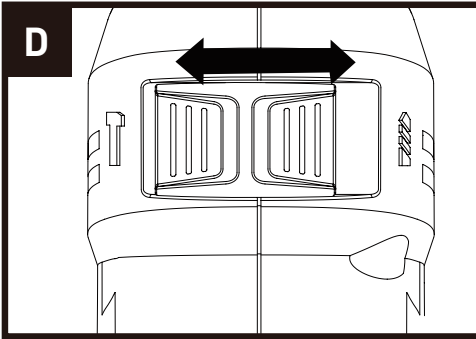
! **WARNING!** Remove the plug from the socket before carrying out any adjustment, servicing or maintenance.

To open the chuck jaws rotate the front section of the chuck while holding the rear section. Insert the drill bit between the chuck jaws and rotate the front section in the opposite direction while holding the rear section. Ensure that the drill bit is in the center of the chuck jaws. Finally, firmly rotate the two separate chuck sections in opposite directions. Your drill bit is now locked in the chuck.

4. HAMMER OR DRILLING CHANGE (SEE FIG D)

When drilling brick and concrete, choose the hammer position “”. When drilling in wood, metal and plastic, choose the drill position. “”.

Operating Instructions



5. ON/OFF SWITCH

Depress the switch to start the tool and release it to stop your tool.

6. SWITCH LOCK-ON BUTTON (SEE FIG E)

Depress on/off switch then press lock-on button, your switch is now locked on for continuous use. To switch off your tool, just depress the on/off switch first, then release it.

7. VARIABLE SPEED CONTROL

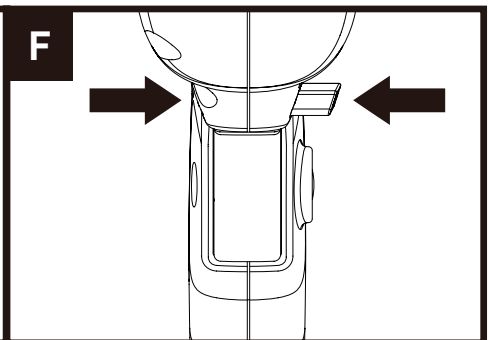
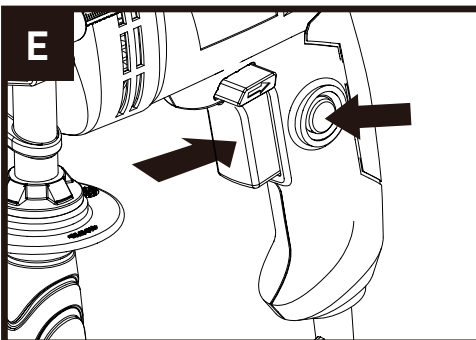
The on/off switch is also a variable speed switch that delivers higher speed and torque with increased trigger pressure. Speed is controlled by the amount of switch trigger depression.

8. FORWARD AND REVERSE ROTATION CONTROL (SEE FIG F)

To change the rotational direction, push the forward/reverse selector switch to the right position (as viewed from the front of the drill). The rotation will now be forward rotation. Push the forward/reverse selector switch to the left position. The rotation will be backward rotation.



WARNING: Never change the direction of rotation when the tool is rotating, wait until it has stopped.



Working Hints For Your Hammer Drill

1 Drilling brick and concrete

Select the drill/impact action selector switch to the “hammer symbol” position. Tungsten carbide drill bits should always be used for drilling masonry, concrete etc with a high speed.

2 Drilling steel

Select the drill/impact action selector switch to the “drill symbol” position. HSS drill bits should always be used for drilling steel with a lower speed.

3 Pilot holes

When drilling a large hole in tough material (i.e. steel), we recommend drilling a small pilot hole first before using a large drill bit.

4 Drilling tiles

Select the drill/impact action selector switch to the “drill symbol” position to drill the tile. When tile has been penetrated, switch over to “hammer symbol” position.

5 Cool the motor

If your power tool becomes too hot, set the speed to maximum and run no load for 2-3 minutes to cool the motor.

Maintenance

Remove the plug from the socket before carrying out any adjustment, servicing or maintenance.

Your power tool requires no additional lubrication or maintenance.

There are no user serviceable parts in your power tool. Never use water or chemical cleaners to clean your power tool. Wipe clean with a dry cloth. Always store your power tool in a dry place. Keep the motor ventilation slots clean. Keep all working controls free of dust. Occasionally you may see sparks through the ventilation slots. This is normal and will not damage your power tool.

If the supply cord is damaged, it must be replaced by the manufacturer, its service agent or similarly qualified persons in order to avoid a hazard.

TroubleShooting

1. If your power tool does not start, check the plug on the power supply first.
2. If the drill doesn't work properly, check the drill bit for sharpness, replace drill bit if worn. Check that the drill is set to forward rotation for normal use.
3. If a fault can not be rectified, return the tool to an authorized dealer for repair.

Technical Data

Technical Data Table

Rated voltage	230-240V~50Hz
Rated power	600 W
No load speed	0-3000 /min
Impact rate	0-48000 /bpm
Chuck capacity max	13 mm
Drilling capacity max:	
Concrete	13 mm
Wood	25 mm
Steel	13 mm
Protection class:	□/II
Weight	1.8kg

Noise Information

A weighted sound pressure
A weighted sound power

L_{pA} : 90dB(A)
 L_{wA} : 101dBdBA(A)
 K_{pA} & K_{wA} = 3.0dB(A)

Wear ear protection when sound pressure is over 80 dB (A)



Vibration Information

Vibration total values (triax vector sum) determined according to EN 60745:	
Impact drilling into concrete:	Vibration emission value a_h ID = 7.67m/s ²
	Uncertainty K = 1.5m/s ²
Drilling into metal:	Vibration emission value a_h D = 2.39m/s ²
	Uncertainty K = 1.5m/s ²

The declared vibration total value may be used for comparing one tool with another, and may also be used in a preliminary assessment of exposure.



WARNING: The vibration emission value during actual use of the power tool can differ from the declared value depending on the ways in which the tool is used dependant on the following examples and other variations on how the tool is used:

How the tool is used and the materials being cut or drilled.

The tool being in good condition and well maintained

Technical Data

The use the correct accessory for the tool and ensuring it is sharp and in good condition. The tightness of the grip on the handles and if any anti vibration accessories are used. And the tool is being used as intended by its design and these instructions.

This tool may cause hand-arm vibration syndrome if its use is not adequately managed



WARNING: To be accurate, an estimation of exposure level in the actual conditions of use should also take account of all parts of the operating cycle such as the times when the tool is switched off and when it is running idle but not actually doing the job. This may significantly reduce the exposure level over the total working period.

Helping to minimise your vibration exposure risk.

ALWAYS use sharp chisels, drills and blades

Maintain this tool in accordance with these instructions and keep well lubricated (where appropriate)

If the tool is to be used regularly then invest in anti vibration accessories.

Avoid using tools in temperatures of 10°C or less

Plan your work schedule to spread any high vibration tool use across a number of days.

Environmental Protection



Waste electrical products should not be disposed of with household waste. Please recycle where facilities exist. Check with your Local Authority or retailer for recycling advice.

Guarantee

This product is selected for DOMESTIC USE ONLY and not for business use. This product is guaranteed against manufacturing defects for a period of 24 months. This does not cover the product where the fault is due to misuse, abuse, use in contravention of the instructions, or where the product has been the subject of unauthorised modifications or alterations, or has been the subject of commercial use. In the event of a problem with the product within the guarantee period please return it to your nearest store. If the item is shown to have an inherent defect present at the time of sale, the store will provide you with a replacement. Your statutory rights remain unaffected.

Issue1 10/2017

Plug Replacement (Uk & Ireland Only)

If you need to replace the fitted plug then follow the instructions below.

IMPORTANT

The wires in the mains lead are colored in accordance with the following code:

Blue – Neutral

Brown – Live

As the colors of the wires in the mains lead of this appliance may not correspond with the colored markings identifying the terminals in your plug, proceed as follows. The wire which is colored blue must be connected to the terminal which is marked with N. The wire which is colored brown must be connected to the terminal which is marked with L..



WARNING!

Never connect live or neutral wires to the earth terminal of the plug. Only fit an approved 13ABS1363/A plug and the correct rated fuse.

Note: If a moulded plug is fitted and has to be removed take great care in disposing of the plug and severed cable, it must be destroyed to prevent engaging into a socket.

