

CV SLIDE AND HIDE MULTIPLAY

Assembly & User Instructions - Please keep for future reference

745/5744



Important

Age Limit: 3-8 years.

Max user weight: 45kg

Total user weight must not exceed: 225 kg

Max user:

- Swing (1) per seat
- Canopy mat (2)
- Slide (1)

Tips: It will take 2 adults around 90 minutes to assemble.

Important - Please read these instructions fully before assembly or use.

These instructions contain important information which will help you get the best from your product and ensure safe and correct assembly, use and maintenance.

If you need help or have damaged or missing parts, call the **Customer Helpline: (+44) 0330 0904 420**

Contents

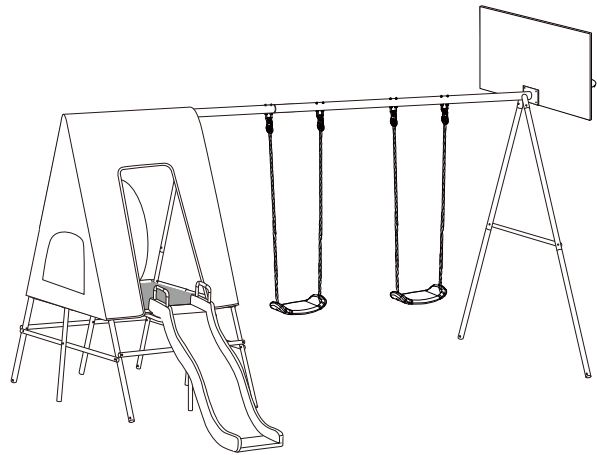
BEFORE YOU START TO ASSEMBLE

- Check the package and make sure you have all of the parts listed in the part list section of this user manual. IF ANY PARTS ARE MISSING, please call the Customer Service toll-free number listed on the cover page for assistance.
- Do not install or use the product if any parts are missing or damaged. Store in a safe place until ready to install.
- Make sure that you have plenty of space and a clean dry area suitable for the assembly of this product. IT IS ESSENTIAL THAT THE INTENDED SITE FOR THIS PRODUCT IS COMPLETELY FLAT AND LEVEL. If the ground is uneven, this could cause movement in the frame and stress on the joined sections of the frame that could damage the product and/or can cause serious injury.
- Two adults are needed to assemble this product.
- Heavy gloves should be used to protect your hands from pinch points during assembly.
- Never modify the construction or the design of the product. Do not use any unauthorised parts with this product.
- This pack may contain small parts and is not suitable for children under six (6) years of age to be nearby during assembly.
- **IMPORTANT:** Save this manual for future reference.

IMPORTANT ASSEMBLY TIP:

DO NOT TIGHTEN HARDWARE COMPLETELY DURING INITIAL INSTALLATION. IT HELPS TO LEAVE SOME ROOM FOR BOLT ALIGNMENT WHILE CONNECTING THE PARTS. AFTER ALL THE PARTS ARE IN PLACE, CHECK THE ENTIRE UNIT CAREFULLY AND SECURELY FASTEN ALL BOLTS AND NUTS.

Warning	3
Parts	4-6
Assembly Instructions	7-22
Care and Maintenance	23





Warning

Important –Please read these instructions fully before assembly or use.



WARNING

READ ALL INSTRUCTIONS BEFORE ASSEMBLING OR USING THIS EQUIPMENT

- This unit is designed for use by up to 6 children at one time, with maximum weight of 45kg per child and combined weight not exceeding 225kg.
- Assembly requires two adults.
- Children must not use the equipment until it is properly assembled and anchored. Adult supervision is required during the use of this equipment at all times.
- This product is intended for use by children age 3-8 years.
- Adult Supervision is required at all times.

LOCATION OF PLAY SET

- The equipment must be placed more than 1.8 meter from any structures or obstructions, including but not limited to buildings, fence, garage, trees, laundry lines, electrical wires. Children can be seriously injured running or swinging into obstacles.
- The play set must be placed on level ground. Remove any tripping hazards from the safe play area, such as roots, tree stumps, rocks, landscaping, sprinkler heads, railroad ties, plumbing and electrical connections. Uneven ground must be leveled prior to installation. Installation on sloping or uneven ground will put stress on the joints, causing the unit to become loose and unstable which may result in serious injuries.
- Do not install your play set over hard surface, e.g. asphalt, concrete, packed earth, tile or brick floor. Recommended ground covers include double shredded bark mulch, uniform wood chips, fine gravel, fine sand.
- Place the equipment out of direct sunlight to reduce the likelihood of burns. A slide that faces north will receive the least direct sunlight.

WEATHER CONDITIONS

- DO NOT use this equipment if the swing seat, slide or other parts are wet. Use the play set only when the parts are clean and dry. If the equipment is wet, the user could slip and suffer injuries.
- Please be aware of weather conditions when using the equipment. If it is too windy, users could lose control and suffer injuries. The playground equipment must be properly anchored, stored away or restricted from use during inclement weather such as heavy winds or severe weather storms.

PLAY SUPERVISION

- DO NOT allow more than one child to slide down the slide at the same time.
- DO NOT allow children to stand on the slide.
- DO NOT allow children to walk too close to moving parts. ALWAYS keep a safe distance to avoid being struck by other children while playing on swing, slide, etc.
- DO NOT allow children to twist the swing ropes, or loop them over the top support bar as this may reduce the strength of the chain or rope.
- DO NOT swing empty seats as this may cause injuries.
- ALWAYS guide children to sit in the center of swinging parts, with their full weight placed in the seat center and holding on to the swing chains.
- DO NOT allow children to jump off the equipment, particularly while it is in motion. ALWAYS come to a full stop before dismounting.
- ALWAYS dress children appropriately for safe play, e.g. wear well-fitted rubber sole shoes, and remove loose or sharp items such as jewelry, hair accessories, scarves, etc which may become entangled in the equipment or cause injuries.
- ALWAYS make sure children remove sports helmets before playing on the equipment. Helmets can become entrapped in playground, posing a strangulation hazard.
- DO NOT allow children to slide down the slide head first.
- DO NOT allow children to climb onto the swing or jump to and from different play areas of the equipment. ALWAYS return safely to the ground before approaching another play area.
- DO NOT allow children to climb on structural parts (e.g. legs, top bar). These are structural components and are not designed for play.
- ALWAYS check the slide or other parts exposed to the body for extreme heat from the sun before allowing children to use the equipment.
- ALWAYS prevent access and secure from any unauthorised use when there is no adult supervision.
- DO NOT allow pets or other animals near the equipment to prevent damage or injuries.

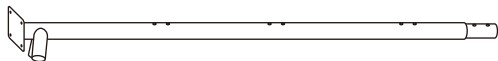
DISPOSAL INSTRUCTIONS

- When it is time to dispose of the playground equipment, please use care when disassembling the equipment. Wear heavy duty working gloves to avoid injuries.
- Fully disassemble the entire swing and slide sets before disposal. Do not leave partially disassembled equipment parts in areas accessible by children.
- Should you wish to recycle the steel tubing, please take the frame to your recycling center.
- All plastic parts could be recycled. Take it to your local recycling center. Do not let children play with any disassembled parts destined for disposal, such as chains, slide, tubing, bolts, nuts, screws, etc.

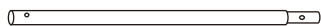
Part List

If you have damaged or missing parts,
call the Customer Helpline: (+44) 0330 0904 420

Please Check you have all the parts listed below



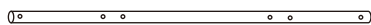
① Top Right Beam x 1



③ Upper Tube x 6



⑤ Lower Tube x 2



⑦ Front Mat Rail x 1



⑨ Side Mat Rail x 2



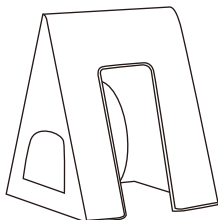
⑪ Side Connection Tubex 2



⑫ Front Leg x 1



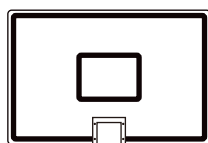
⑬ Side Leg x 2



⑮ Canopy x 1



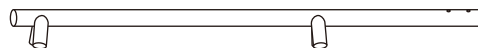
⑰ Slide x 1 (needs assembly)



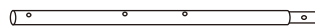
⑲ Basketball Board x 1



⑳ Basketball Net x 1



② Top Left Beam x 1



④ Canopy Tube x 4



⑥ Cross Bar x 1



⑧ Rear Mat Rail x 1



⑩ Front Connection Tube x 1



⑩A Rear Connection Tube x 1



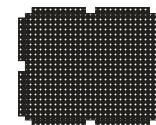
⑫A Rear Leg x 1



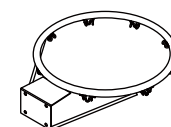
⑭ "U" Shaped bar x 1



⑯ Single Swing x 2



⑰ Mat x 1



⑳ Basketball Hoop x 1



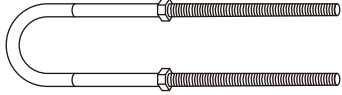















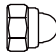







㉑ Anchor x 6

Hardware List

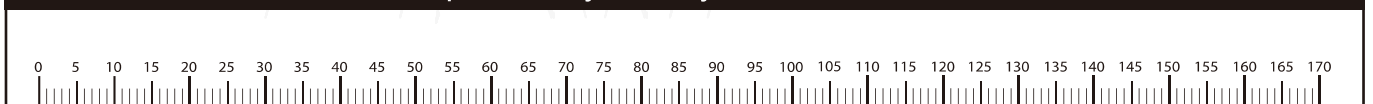
If you have damaged or missing parts,
call the Customer Helpline: (+44) 0330 0904 420

Please Check you have all the parts fittings listed below

Note: The quantities below are the correct amount to complete the assembly. In some cases more fittings may be supplied than are required.

A  ×4 (M8×115mm)	B  ×10 (M8×50mm)	C  ×1 (M8×61mm)
D  ×2 (M8×53mm)	E  ×8 (M6×65mm)	F  ×8 (M6×70mm)
G  ×10 (M6×35mm)	H  ×6 (M6×50mm)	I  ×4 (M5×16mm)
J  ×58 (Ø6.5×Ø16mm)	K  ×34 (Ø6.5×Ø10.7mm)	L  ×40 (Ø8.5×Ø19mm)
M  ×21 (Ø8.5×Ø13.2mm)	N  ×2 (Ø8.5×Ø19mm)	O  ×8 (Ø6×Ø12mm)
P  ×34 (M6)	Q  ×21 (M8)	R  ×4 (M5)
S  ×2	T  ×1	U  ×1
V  ×1 (4mm)	W  ×1 (5mm)	X  ×1 (6mm)

Ruler - Use this ruler to help correctly identify the bolts/screws

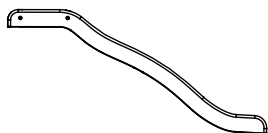


Part List for Slide

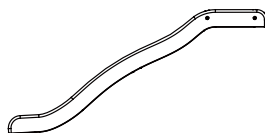
If you have damaged or missing parts,
call the Customer Helpline: (+44) 0330 0904 420

Please Check you have all the parts fittings listed below

Part list for Slide (Part NO. 17)



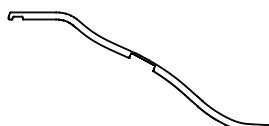
H1 Plastic panel x 1



H2 Plastic panel x 1



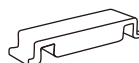
H3 Plastic sheet x 1



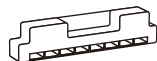
H4 Support panel x 2



H5 Connecting plate x 1



H6 Connecting plate x 1



H7 Connecting plate x 1









H8 Handle bar x 1

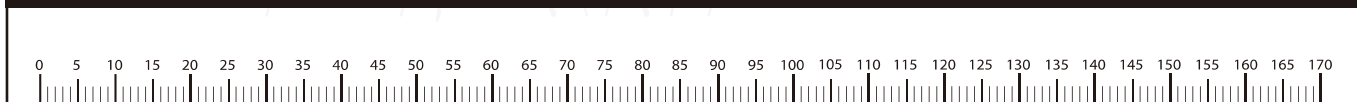


H8A Handle bar x 1

Note: The quantities below are the correct amount to complete the assembly. In some cases more fittings may be supplied than are required.

<p>H9</p>  <p>×18 (M6×15mm)</p>	<p>H10</p>  <p>×4 (M6×25mm)</p>	<p>H11</p>  <p>×4 (Ø6.5×Ø13mm)</p>
<p>H12</p>  <p>×18 (Ø8.5×Ø19mm)</p>	<p>H13</p>  <p>×4 (M6x30mm) BOLT</p>	<p>H14</p>  <p>×2 (Ø6.5×Ø13mm)</p>

Ruler - Use this ruler to help correctly identify the bolts/screws

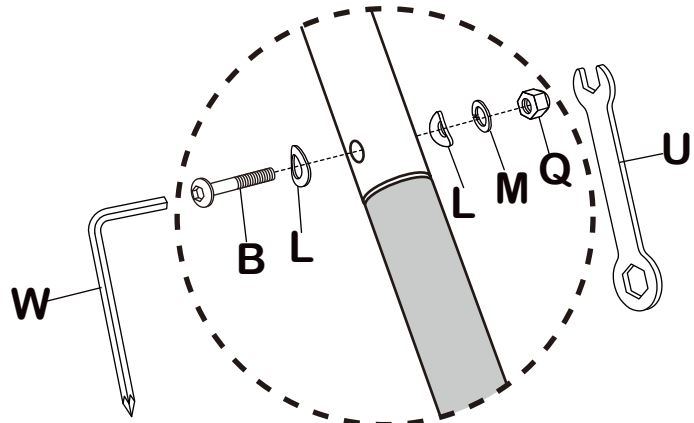


Assembly Instructions

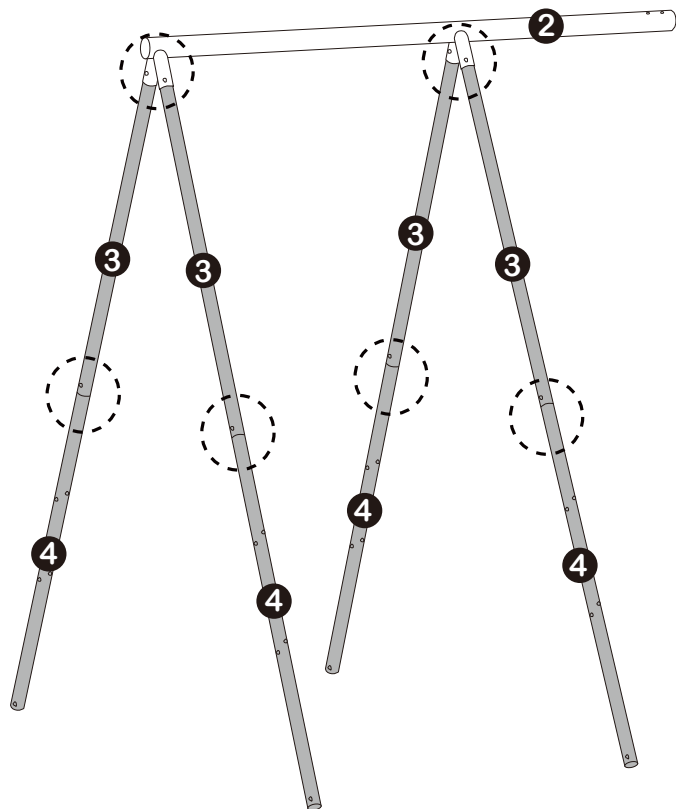
Step 1





Connect and secure all connection points shown using B, L, M and Q.

DO NOT FULLY TIGHTEN THE BOLTS UNTIL THE ENTIRE FRAME IS ASSEMBLED IN STEP 5.



ENLARGED DIAGRAM FOR ALL CONNECTION POINTS



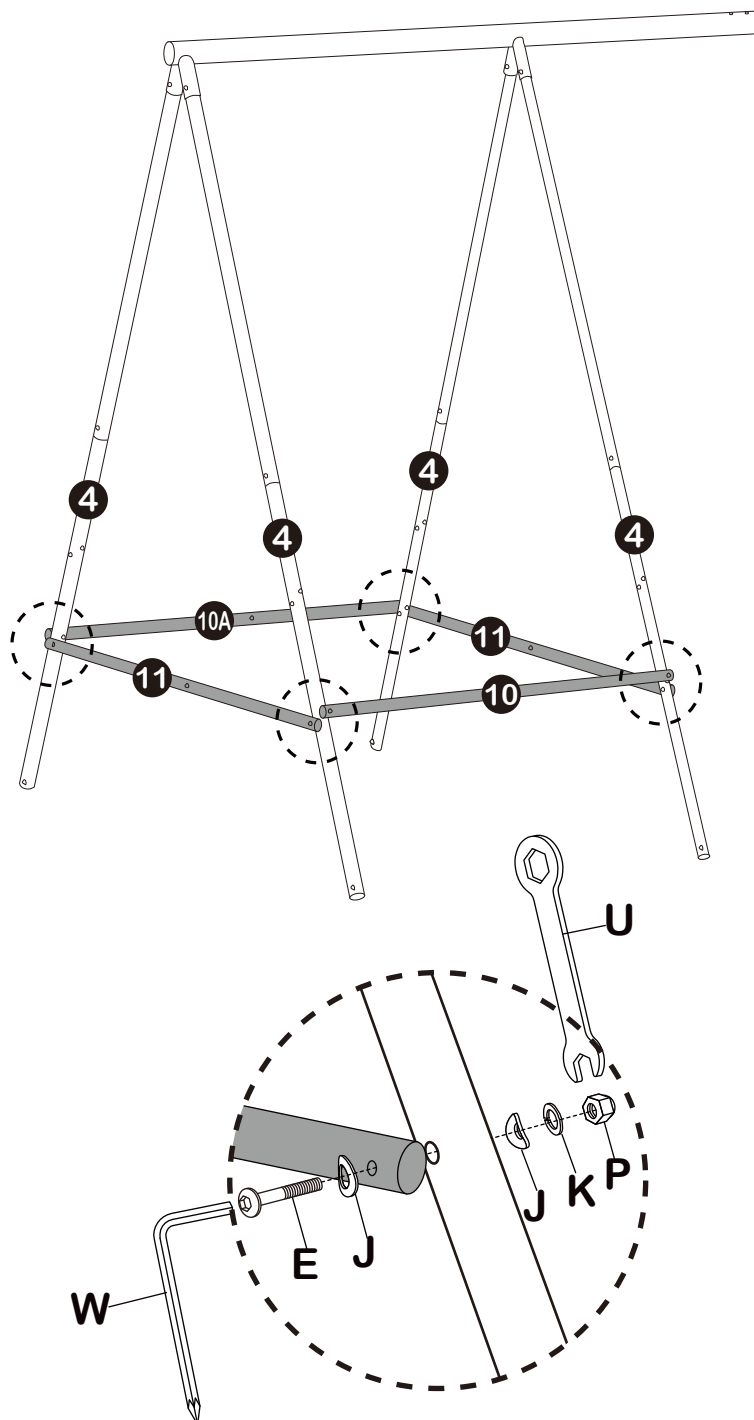
			
B	L	M	Q
x8pcs	x16pcs	x8pcs	x8pcs





Assembly Instructions

Step 2

Connect (10), (10A) and (11) to Canopy Tube (4) as shown.

DO NOT FULLY TIGHTEN THE BOLTS UNTIL THE ENTIRE FRAME IS ASSEMBLED IN STEP 5.



			
E	J	K	P
x8pcs	x16pcs	x8pcs	x8pcs

Assembly Instructions

Step 3

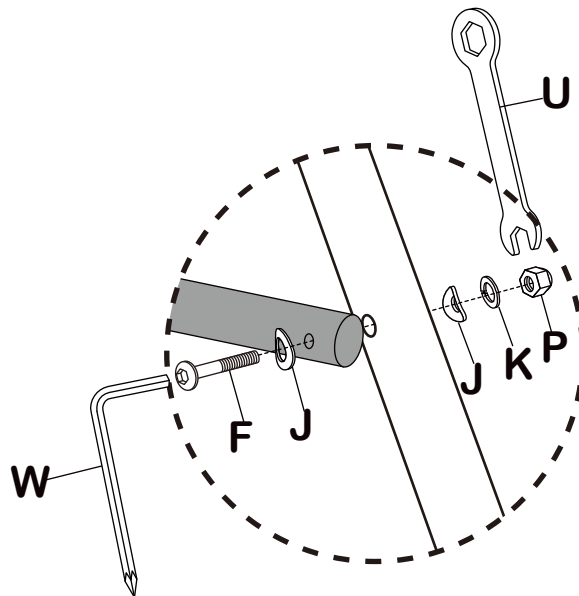
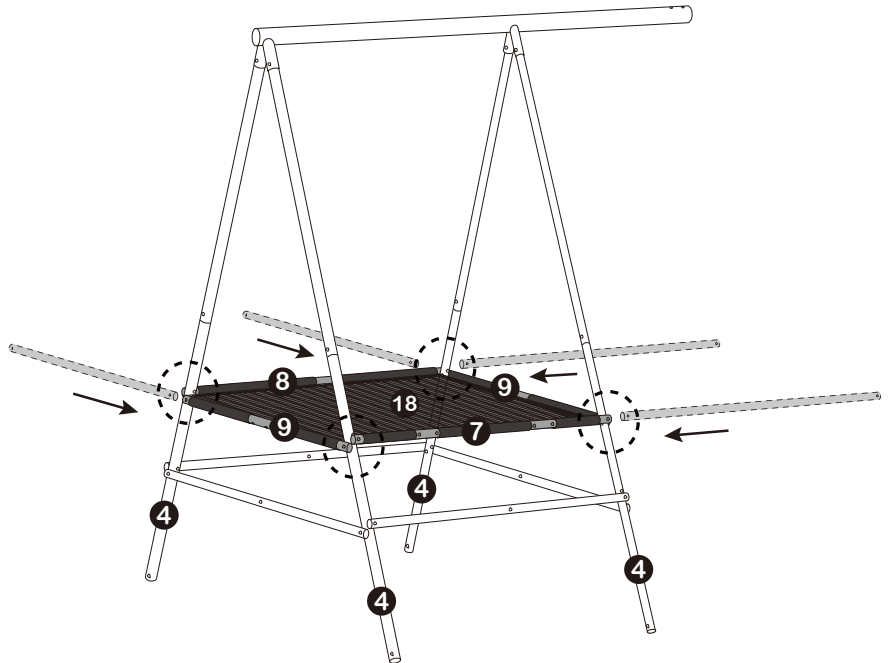
IN THIS STEP, YOU WILL NEED TO INSERT STEEL TUBES INTO THE MAT AND CONNECT THEM TO THE FRAME. ASSEMBLE IN THE FOLLOWING ORDER:





1. Insert (7) through the side of mat with 2 openings (this side will be used for installation of the slide later). Attach (7) to (4) using F, J, K and P.

IMPORTANT NOTES:

- The buckles on the mat should be on the bottom side
- The indented hole on the steel tubes needs to face up

2. Insert (9) into the two sides of the mat; connect to (4) using F, J, K and P.
3. Insert (8) into the rear side of the mat; connect to (4) using F, J, K and P.



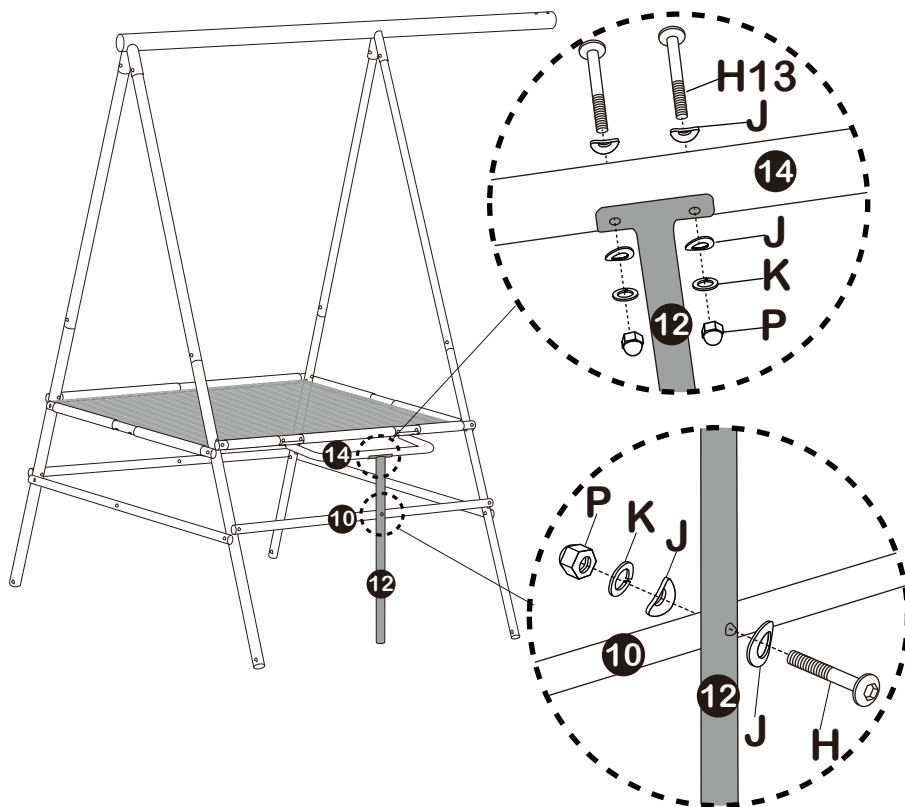
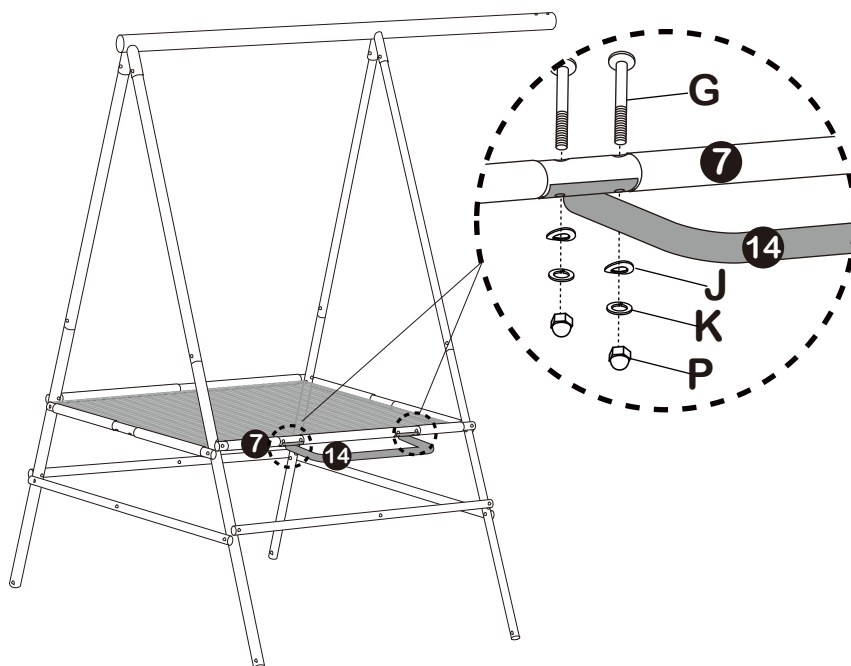
			
F	J	K	P
x8pcs	x16pcs	x8pcs	x8pcs







Assembly Instructions

Step 4

- Attach (14) to (7) using G, J, K and P as shown
- Connect (12) to (14) using H13, J, K and P as shown
- Connect (12) to (10) using H, J, K and P as shown

DO NOT FULLY TIGHTEN THE BOLTS UNTIL THE ENTIRE FRAME IS ASSEMBLED IN STEP 5.



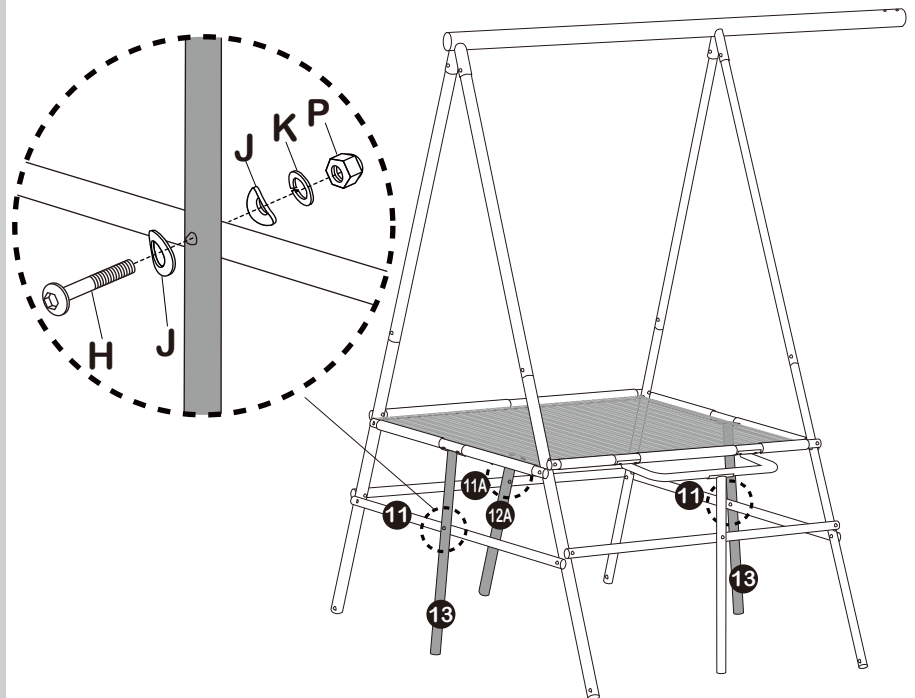
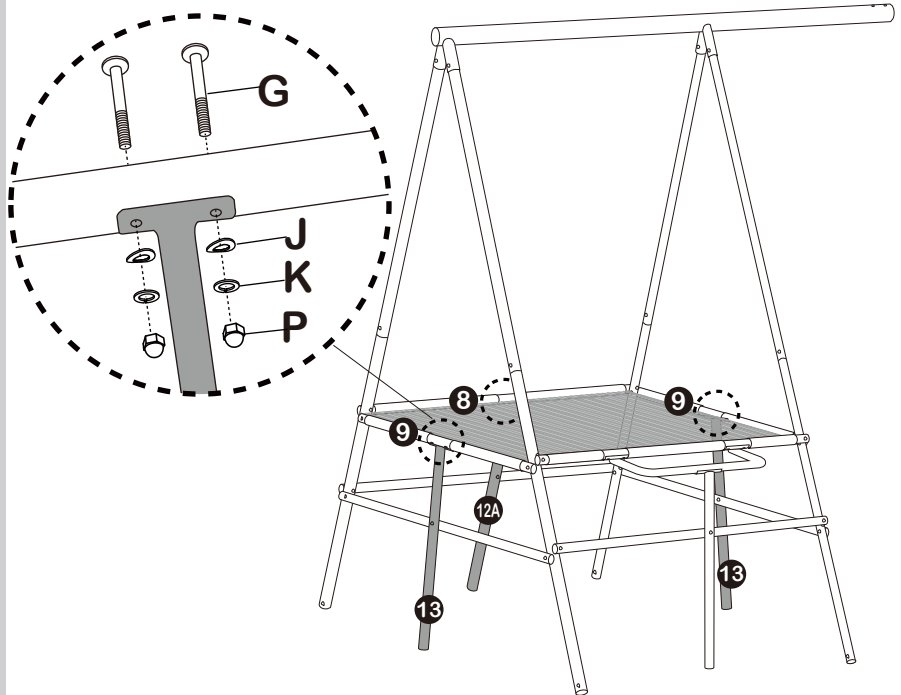
		
G x4pcs	H x1pcs	H13 x2pcs
		
J x10pcs	K x7pcs	P x7pcs






Assembly Instructions

Step 5

- Connect (13) to (9) on both sides using G, J, K and P as shown.
- Connect (12A) to (8) using G, J, K and P as shown
- Connect (13) to (11) on both sides using H, J, K and P as shown. Please note (13) need to be placed on the outer side of (11).
- Connect (12A) to (11A) using H, J, K and P as shown. Please note 12A needs to be connected to the inner side of 11A.

NOW CHECK ALL CONNECTION POINTS AND TIGHTEN ALL BOLTS INSTALLED.



				
G	H	J	K	P
x6pcs	x3pcs	x12pcs	x9pcs	x9pcs

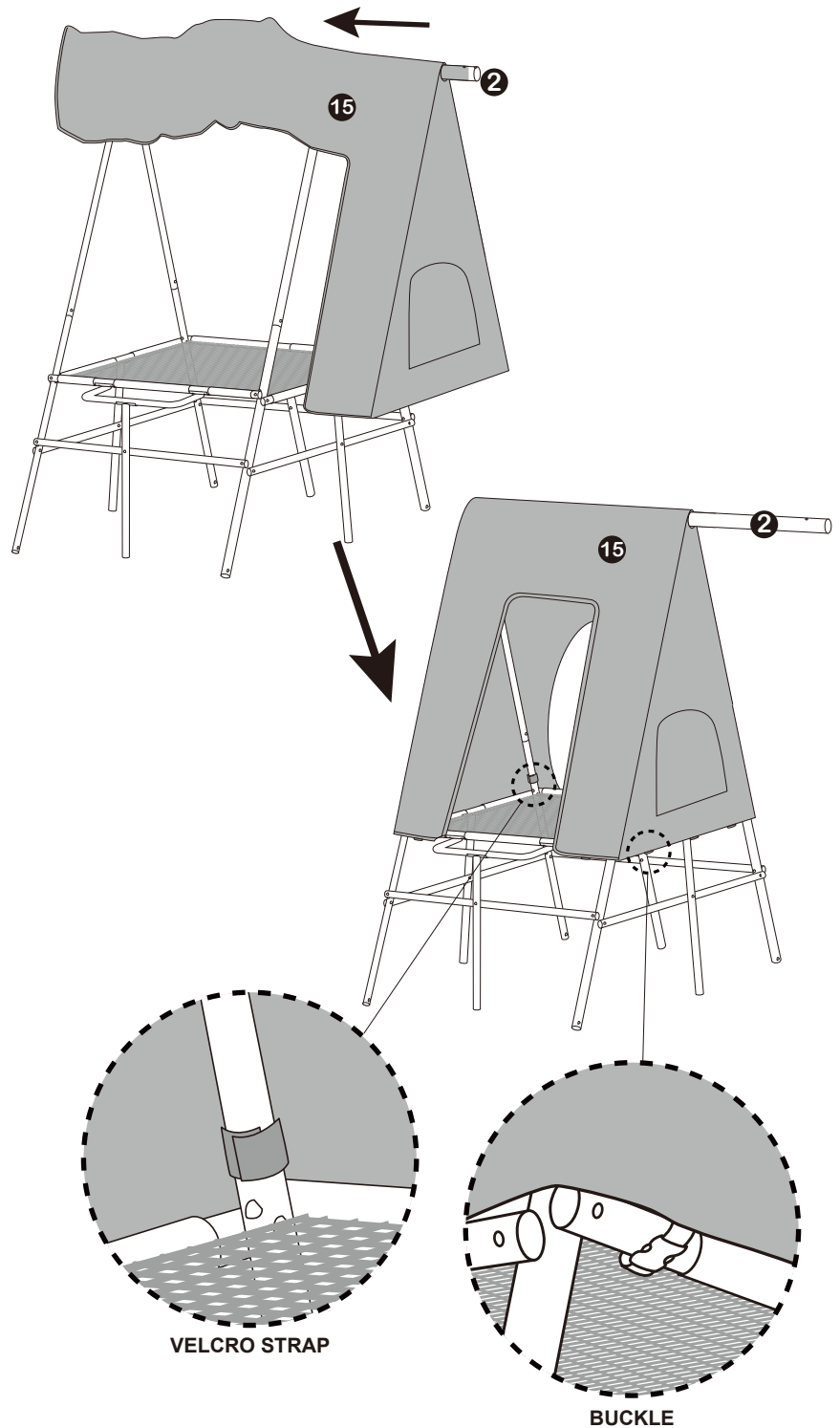
Assembly Instructions

Step 6

Install the canopy (15) over the assembled platform as shown.

Connect the buckles on the canopy to buckles on the bottom of the mat to hold it securely in place.

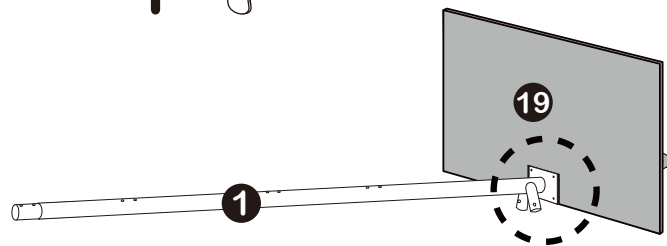
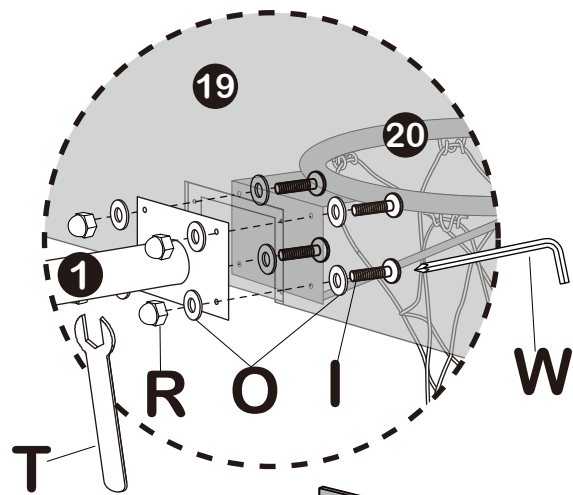
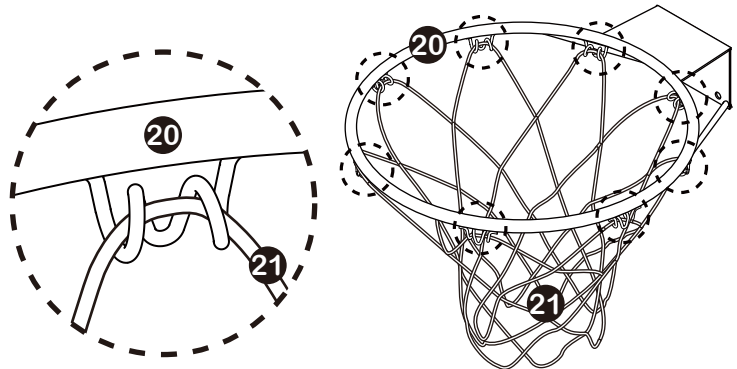
Wrap the Velcro straps inside the canopy to the four support legs.






Assembly Instructions

Step 7

Attach the basketball net (21) to the hoop, then connect the hoop to the basketball board (19) together with Top Right Beam (1) on the back. Secure with R, O and I as shown in the large diagram.



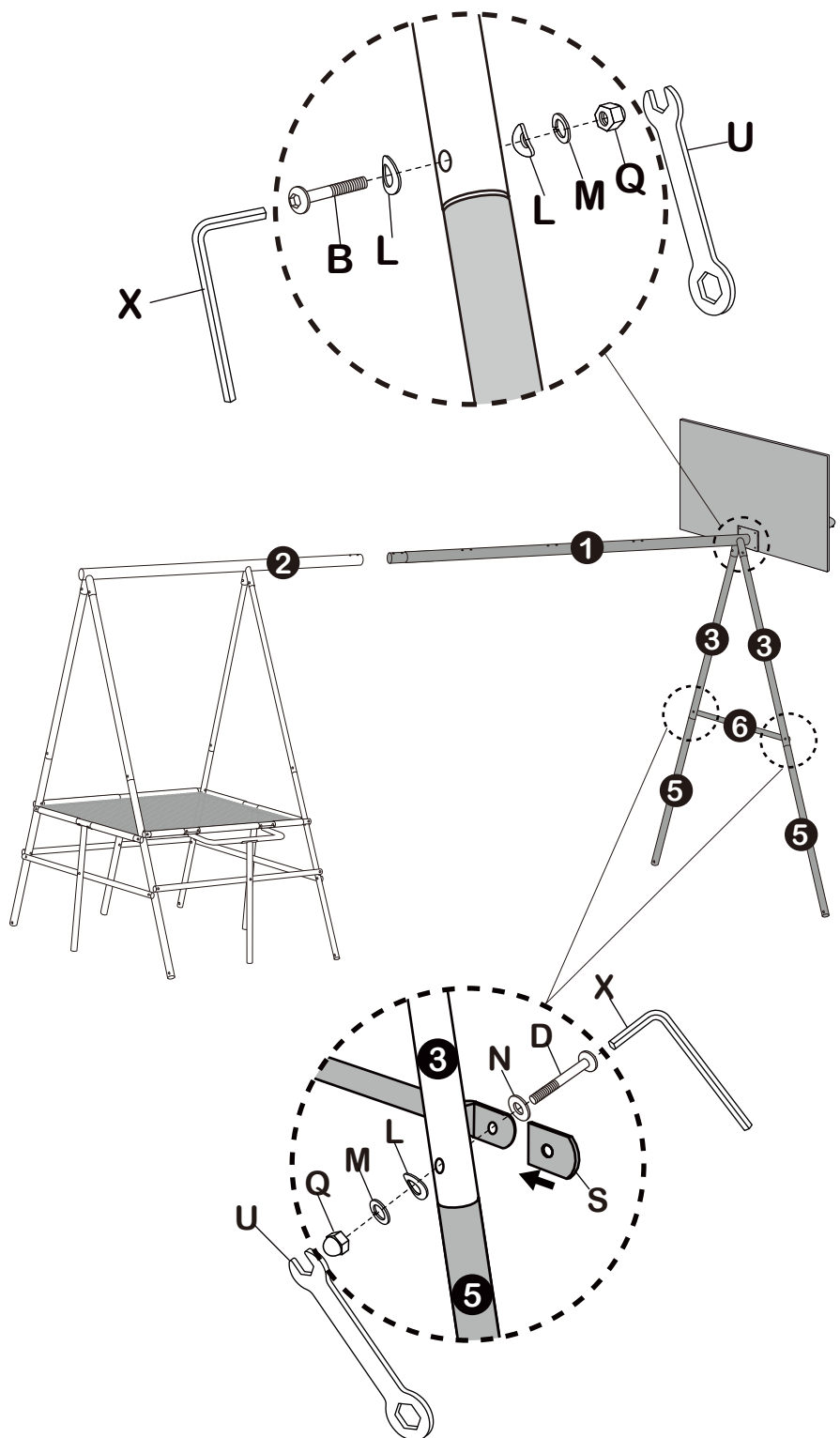
		
I	O	R
x4pcs	x8pcs	x4pcs

Assembly Instructions

Step 8

Assemble the swing side in the following order:

- Insert (5) into (3) and secure together with (6) on the outer side of swing using D, N, L, M and Q. Make sure to attach Plastic Cap (S) onto rail (6) first.
- Attach the assembled support legs to (1) using B, L, M and Q.
- Insert (1) into (2).



S x2pcs	B x2pcs	D x2pcs	
L x6pcs	M x4pcs	N x2pcs	Q x4pcs

Assembly Instructions

Step 9

- Connect (1) and (2) and secure with C, L, M and Q as shown in Diagram A.

- Connect the swing (16) to (1) using A, L, M and Q as shown in Diagram B.

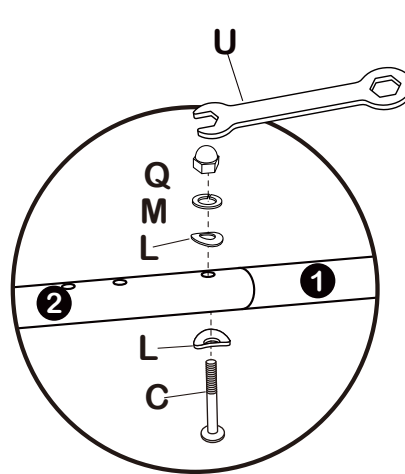


Diagram A

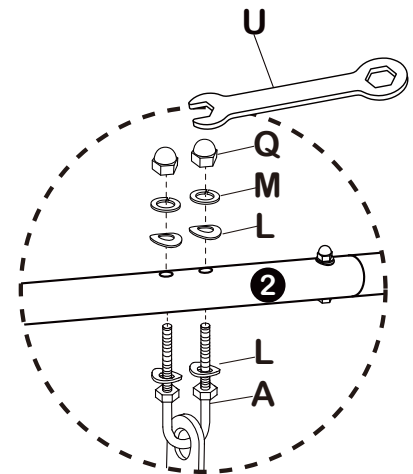
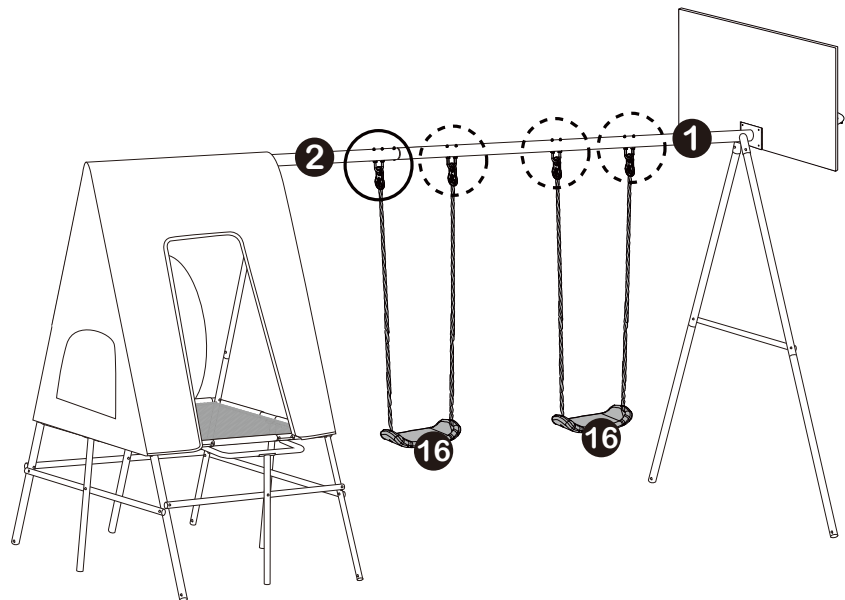
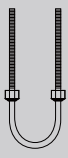






Diagram B



				
A	C	L	M	Q
x4pcs	x1pcs	x18pcs	x9pcs	x9pcs

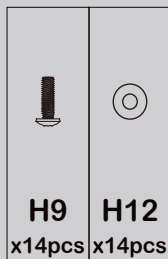
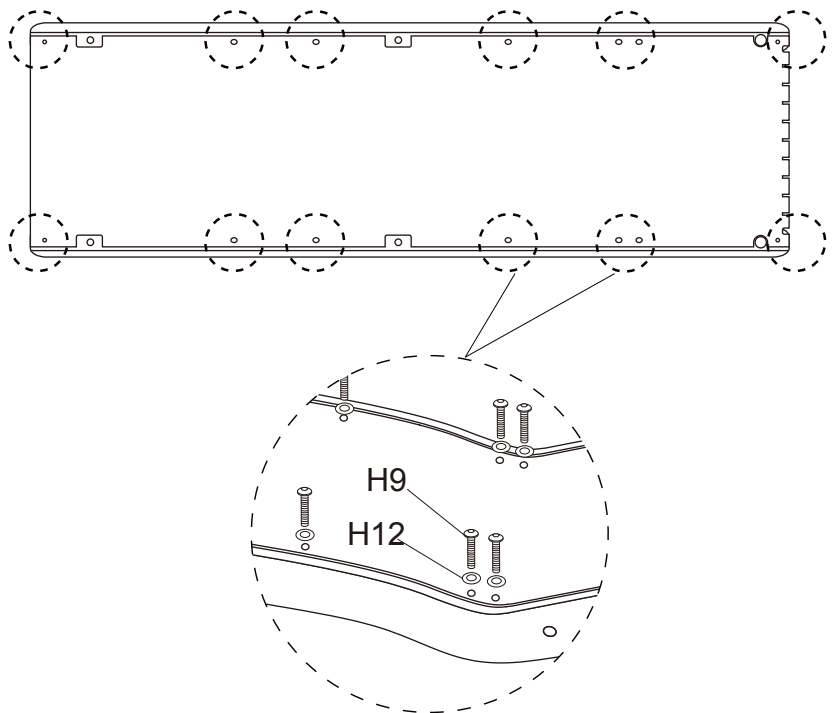
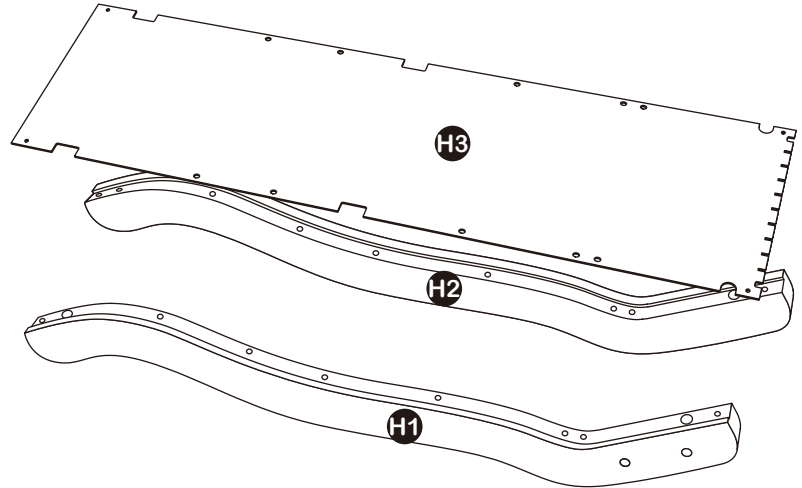
Assembly Instructions

Step 10

ASSEMBLY INSTRUCTION FOR SLIDE

Place (H3) over (H1) and (H2) as shown. The end of plastic sheet with teeth needs to be placed on the end tilting upward. Make sure the holes on the sides of (H1) and (H2) are facing outward.

Connect all 14 points shown in the circles using (H9) and (H12).



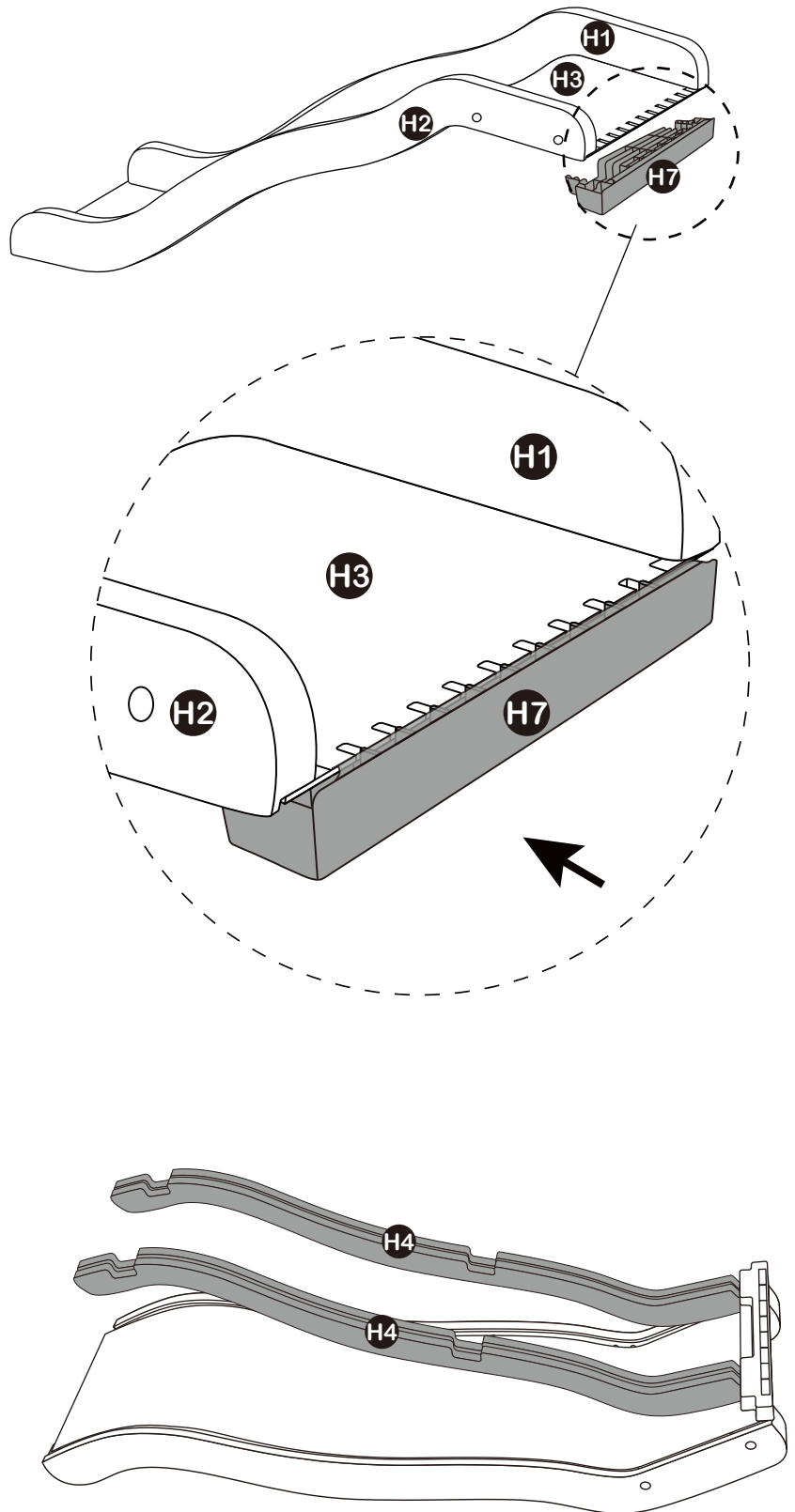
Assembly Instructions

Step 11

Two people needed for this step.

Turn slide over. Slide H7 into the end of plastic sheet with teeth. Tip: gently push the plastic sheet upward with one hand, line up the teeth with the corresponding indents on the bottom of H7 and push it gently to slide it into place.

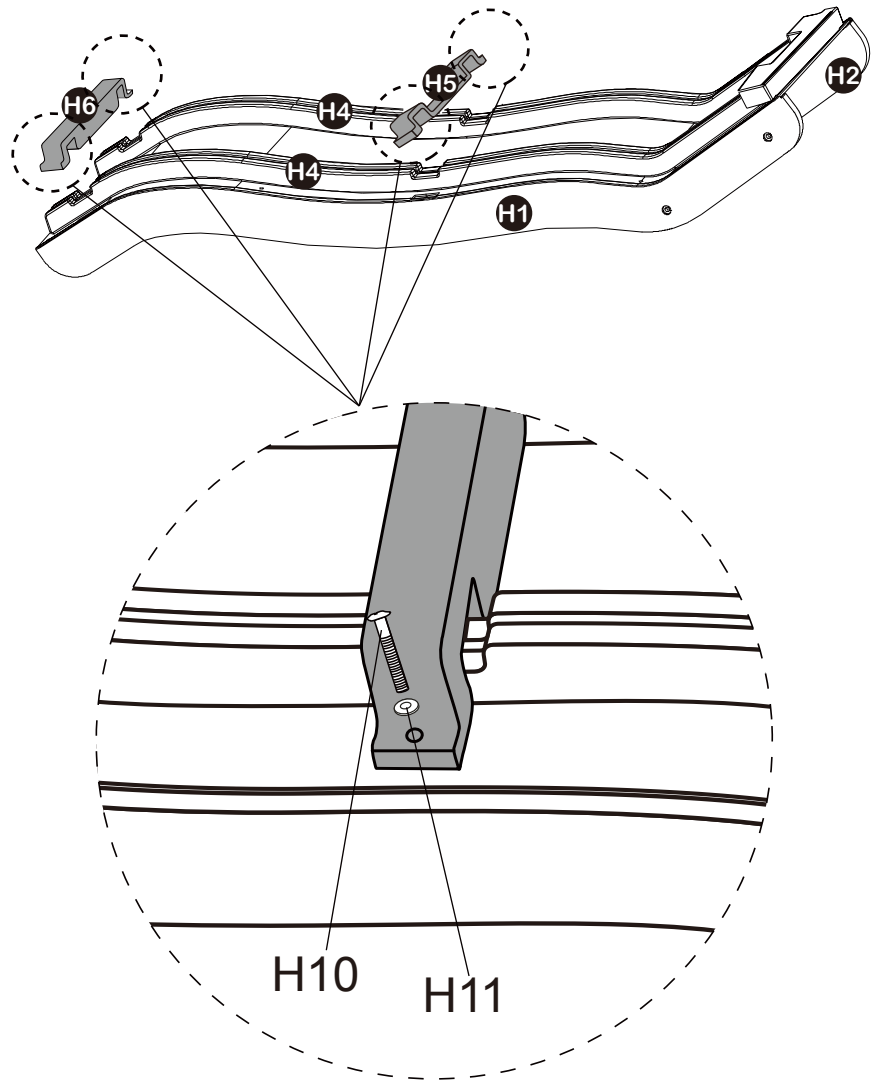
With one person holding H7 firmly in place, another person should insert H4 into the slots at the bottom of H7. Tip: it is easier to install H4 by tilting H7 upwards.





Assembly Instructions

Step 12

Secure H4 to the bottom of the slide with H5 and H6 using H10 and H11.



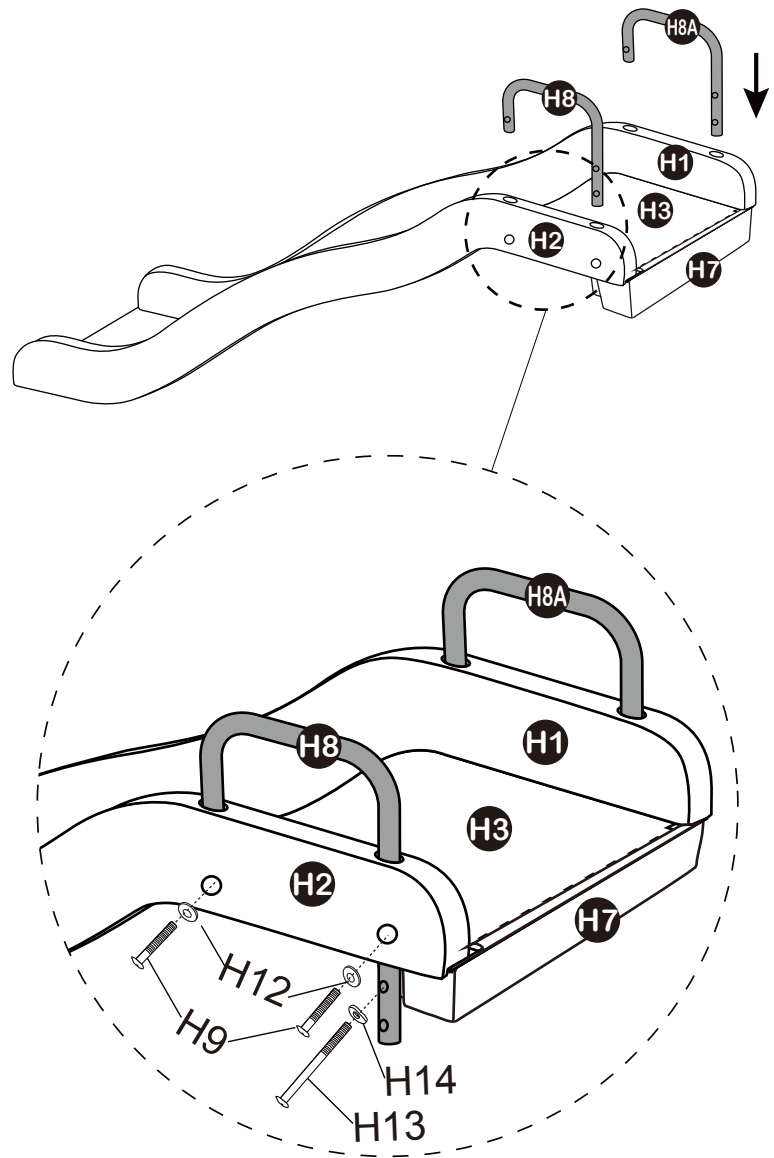
	
H10 x4pcs	H11 x4pcs





Assembly Instructions

Step 13

Insert H8 into H2 and H8A into H1. Holes should be facing outward. Secure using H9 and H12 on both sides.

Secure H8 and H8A to H7 using H13 and H14 on both sides.



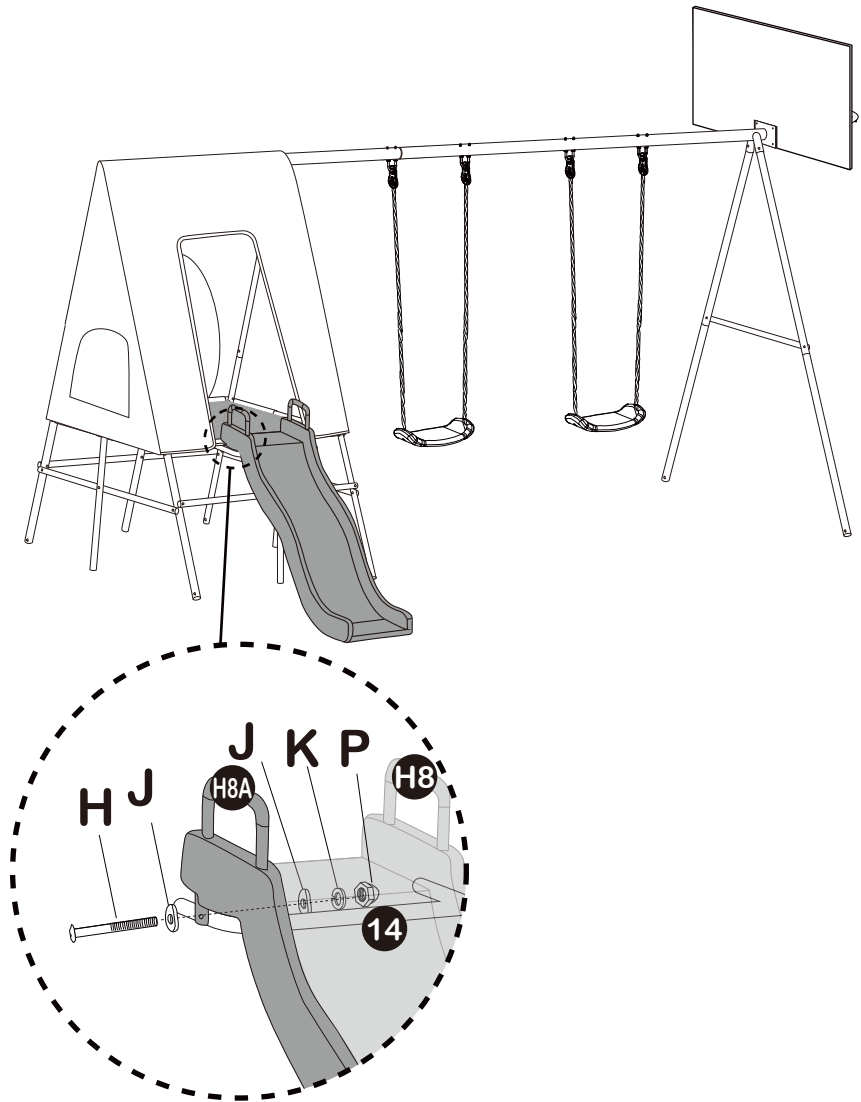
			
H13 x2pcs	H9 x4pcs	H14 x2pcs	H12 x4pcs





Assembly Instructions

Step 14

Attach the slide to the canopy frame by connecting H8 and H8A to 14 using H, J, K and P.

Now check all connection points and fully tighten all bolts installed.

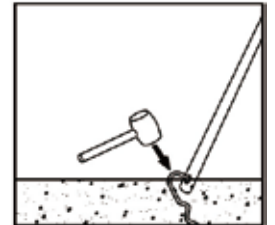
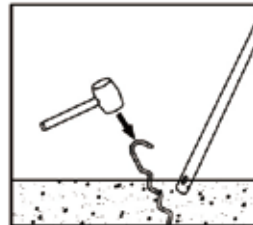
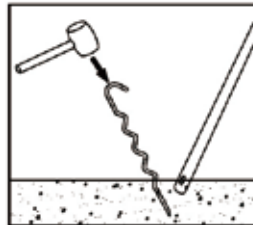
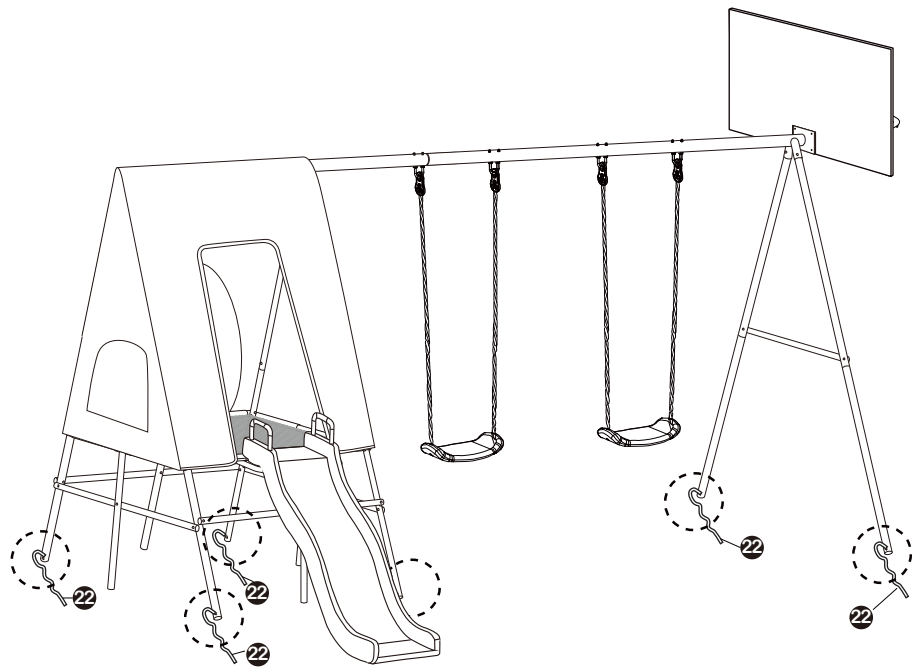


			
H	J	K	P
x2pcs	x4pcs	x2pcs	x2pcs

Assembly Instructions

Step 15

Anchor the equipment to the ground as shown. Point the anchors at a 45 degree angle and use a hammer to insert fully into the ground.



WARNING!

BEFORE USE, please check all parts and hardware are correctly fitted and secure. If you have any questions, please contact the Customer Help Line (+44) 0330 0904 420.

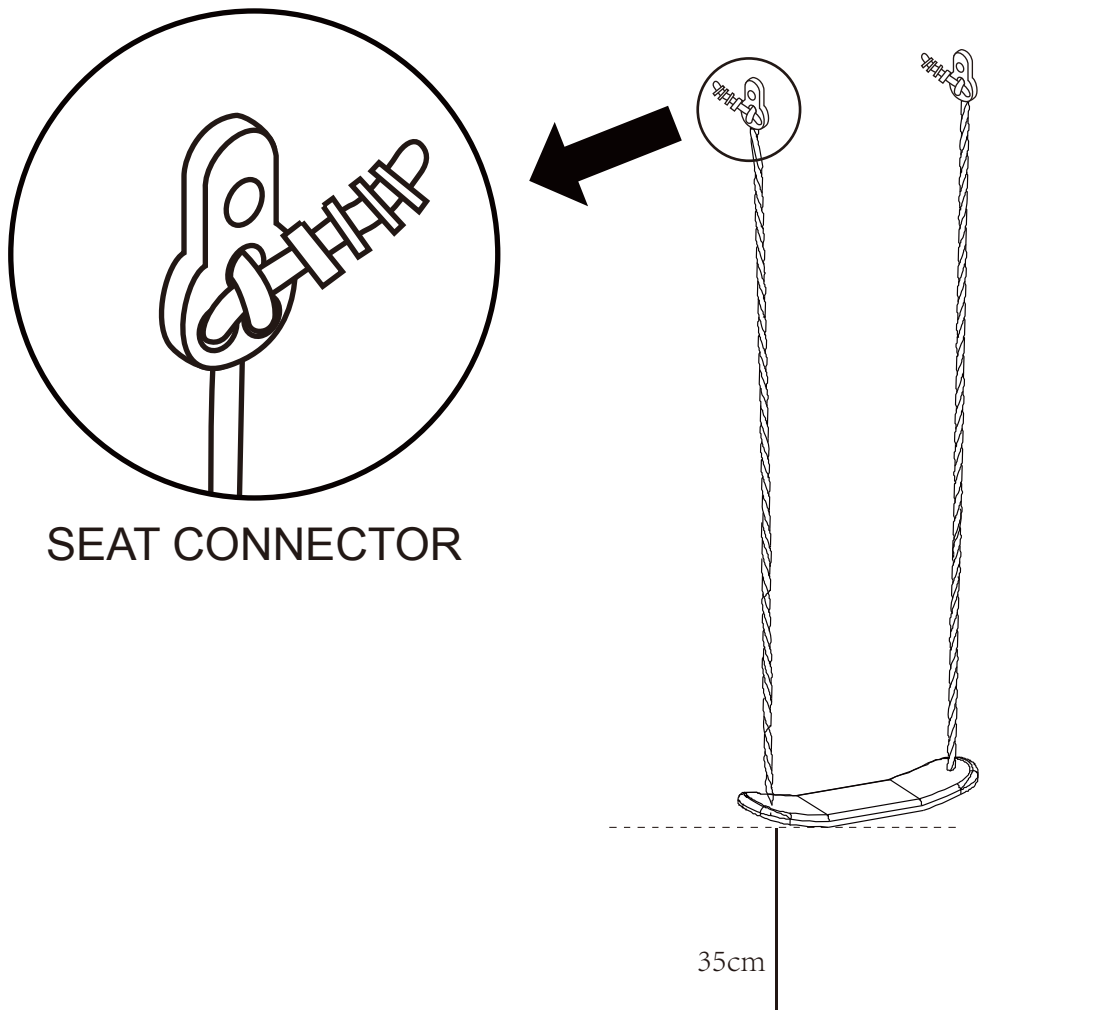
Assembly Instructions

SWING SEAT ADJUSTMENT GUIDE

THE LENGTH OF THE ROPE IS ADJUSTABLE TO ACCOMODATE THE HEIGHT OF THE CHILD.

TO ADJUST, LOOSEN THE KNOT ON THE SEAT CONNECTOR, PULL ROPE THROUGH THE HOLE TO THE APPROPRIATE LENGTH AND RE-TIE THE KNOT AGAIN.

MAKE SURE THAT THE KNOTS ARE TIGHT AND THAT BOTH ROPES ARE ADJUSTED EVENLY SO THAT THE SEAT IS HORIZONTAL.



Care and Maintenance

General

This multiplay requirement was designed and manufactured with quality materials and craftsmanship.

If correct care and maintenance is provided, it will provide users with longer period of exercise, fun and enjoyment.

Inspect regularly for:

- CHECK ALL NUTS AND BOLTS TWICE MONTHLY DURING THE USAGE SEASON FOR TIGHTNESS AND TIGHTEN AS REQUIRED. IT IS PARTICULARLY IMPORTANT THAT THIS PROCEDURE BE FOLLOWED AT THE BEGINNING OF EACH SEASON.
- DO NOT use the equipment if any bolts or nuts are missing or loose. ALWAYS check to ensure the equipment and all parts are well secured and stable before each use.
- ALWAYS clear the play area of any rocks, sharp objects, or any materials that could be potentially hazardous to users.
- DO NOT attach items to the equipment that are not specifically designed for use with the equipment, including, but not limited to, jump ropes, clothesline, pet leashes, cables and chains as they may cause choke hazards.
- The parts used in your product are subject to normal wear. Gradual deterioration of the material will occur, the speed of which will depend on the level of exposure to UV rays, airborne pollution, outdoor weather conditions such as rain and wind and the amount of use. You must inspect the equipment prior to every use. This includes, but is not limited to inspecting the set for cracks, excess wear, missing parts, loose connections, and for overall integrity. When the set shows any signs of weakness, you must stop using the play set immediately, properly store the set or restrict access by users until the condition is resolved.
- To help maintain the products appearance, occasionally clean the seats and metal framework with a damp cloth lightly – but DO NOT use abrasive chemical cleaners.
- When the time comes to disassemble and dispose of this product, please completely disassemble the unit and discard of it in a safe place and manner so as not to present any hazard to any individual. It is important to check and maintain the main parts at regular intervals. If these checks are not carried out, the toy could overturn or otherwise become a hazard. Whenever practical, the instructions shall also be affixed to the toy.
- **IMPORTANT! KEEP FOR FUTURE REFERENCE.**

WARNING!

Ensure product is properly anchored to the ground before use. For outdoor use only. To be played in an open area with adult supervision. This equipment is intended for domestic family use for outdoors only. This multiplay is for children 3-8 years old and this unit is designed for use by up to 5 children at one time, with maximum weight of 45kg per child and combined weight not exceeding 225kg. For family domestic use only. Please take note: As an extra precaution, check this toy regularly for signs of wear or damage. Packaging materials are not toys. Please remove all packaging and packing tags/wires before giving this toy to your child. Maintenance to be carried out under the direct supervision of a responsible adult. Colour, designs and decorations may vary from those shown in the photographs.



WARNING! Not suitable for children under 3 years due to small parts, choking hazard.



If you need help or have damaged or missing parts, call the Customer Helpline: (+44) 0330 0904 420
Produced for Chad Valley Toys. Argos Ltd. Country of origin: China
Address: 489 - 499 Avebury Boulevard, Central Milton Keynes, MK9 2NW. www.argos.co.uk