



**SPEAR &
JACKSON**

ORIGINAL INSTRUCTION MANUAL

Hover Mower

S1836EH

S1733EH

MEH1735AE



**Important - Please read these instructions
fully before starting assembly**

These instructions contain important information that will help you get the best from your mower, ensuring it is assembled correctly and safely. If you need help or have damaged or missing parts, call the Customer Helpline on 0345 605 2068

**AFTER SALES SUPPORT
0345 605 2068**

SPEAR & JACKSON SINCE 1760

For more than 250 years gardeners have enjoyed high quality performance and great results using Spear & Jackson tools.

Our garden power tools combine continuous innovation and the latest in manufacturing technologies with a proud heritage.

Each product is carefully designed with performance, comfort and durability firmly in mind, which has earned Spear & Jackson an enviable reputation as a maker of tools to trust.

3 YEARS GUARANTEE

As a testament to the quality of our products, we offer a 3 year manufacturers warranty and a comprehensive after sales service.

The warranty covers manufacturing faults, however in the event that the item has been deliberately damaged, used in a commercial environment or disassembled then the warranty will be null and void.

Please retain proof of purchase.

7 DAYS A WEEK TECHNICAL SUPPORT

We want you to get the best out of your products. Our easy-to-read instruction manual guides you with best practice use and maintenance tips. Please call 0345 605 2068 for technical support, we can solve around 80% of questions directly over the phone.

We hope you enjoy your product and we look forward to any feedback, as this allows us to develop even better products for the future.

CONTENTS

Safety Information	4
Intended Purpose.....	4
Warning Symbols.....	4
Work Area Safety	5
Electrical Safety	6
Power Tool Use and Care	7
Personal Safety.....	7
Operating Safety	9
Maintenance and Storage Safety	13
Intended Use.....	13
In the Box	14
Parts.....	14
Assemble	17
Prepare	18
Operate	19
Maintenance	22
Technical Data	24
Troubleshooting	25
Warranty	26

SAFETY INFORMATION

INTENDED PURPOSE

The following warning symbols appear throughout this assembly manual and indicate the appropriate safety measures you should take when assembly and operating the hover.

WARNING SYMBOLS



Before any use, refer to the corresponding paragraph in the present manual.



This symbol, before a safety comment, indicates a precaution, a warning or a danger. Ignoring this warning can lead to an accident for yourself or for others. To limit the risk of injury, fire, or electrocution always apply the recommendations indicated.



Wear hearing protection



Wear eye protection



Wear protective gloves



Do not expose and operate the product to rain or wet conditions.



Remove the plug from the mains immediately if cable is damaged or cut.



There is a risk that some objects could be thrown out by the shredder.



Keep bystanders away before leaving the product unattended for any period.



Double insulation.



Keep supply flexible cord away from cutting means.



Guaranteed sound power level value in 96 dB.



The product complies with the applicable European directives and an evaluation method of conformity for these directives was done.



Waste electrical products should not be disposed of with household waste. Please recycle where facilities exist.

SAFETY INFORMATION

GENERAL SAFETY



IMPORTANT!

- Keep this instruction manual in a safe place for future reference.
- Read the instructions carefully. Be familiar with the controls and the proper use of the equipment.
- Never allow children or people unfamiliar with these instructions to use this Hover. Local regulations can restrict the age of the operator.
- Never use the machine while people, especially children, or pets are nearby. Keep in mind that the operator or user is responsible for accidents or hazards occurring to other people or their property.
- This appliance can be used by children aged from 8 years and above and persons with reduced physical, sensory or mental capabilities or lack of experience and knowledge if they have been given supervision or instruction concerning use of the appliance in a safe way and understand the hazards involved. Children

shall not play with the appliance. Cleaning and user maintenance shall not be made by children without supervision.

- Don't use the appliance without reading the instruction sheet.
- Children should be supervised to ensure that they do not play with the appliance.

WORK AREA SAFETY

- Inspect the area where the machine is to be used and remove all objects which can be thrown by the machine. If objects are hidden while operating stop the motor and remove them.
- Do not operate the machine in explosive atmospheres, such as in the presence of flammable liquids, gases or dust. Power tools create sparks which may ignite the dust or fumes.
- Keep children and bystanders away while operating a power tool. Distractions can cause you to lose control.

SAFETY INFORMATION

GENERAL SAFETY

ELECTRICAL SAFETY

- The plug must match the outlet. Never modify the plug in any way. Do not use any adapter plugs with earthed (grounded) power shall not play with the appliance. Cleaning and user maintenance tools. Unmodified plugs and matching outlets will reduce the risk of electric shock.
- Avoid body contact with earthed or grounded surfaces, such as pipes, radiators, ranges and refrigerators. There is an increased risk of electric shock if your body is earthed or grounded.
- Do not expose power tools to rain or wet conditions. Water entering a power tool will increase the risk of electric shock.
- Do not abuse the cord. Never use the cord for carrying, pulling or unplugging the power tool. Keep the cord away from heat, oil, sharp edges or moving parts. Damaged or entangled cords increase the risk of electric shock.
- When operating a power tool outdoors, use an extension cord suitable for outdoor use. Use of a cord suitable for outdoor use reduces the risk of electric shock.
- If operating a power tool in a damp location is unavoidable, use a residual current device (RCD) protected supply. Use of an RCD reduces the risk of electric shock. The maximum operating current of the RCD must be less than 30mA.
- The voltage indicated on the rating plate must correspond to the voltage of the power source.
- Only use or replace power supply cables for this unit which correspond to the types indicated by the manufacturer. See the operating instructions for the order no. and types.
- Never touch the mains plug with wet hands.
- Do not run over, crush or pull the power supply cable or extension lead, otherwise it may be damaged. Protect the cable from heat, oil and sharp edges.

SAFETY INFORMATION

- The extension lead must have a cross section in accordance with the operating instructions and be protected against splashed water. The connection must not be in water.

POWER TOOL USE AND CARE

- Do not force the power tool. Use the correct power tool for your application. The correct power tool will do the job better and more safely when operated at the rate for which it was designed.
- Do not use the power tool if the switch does not turn it on and off. Any power tool that cannot be controlled with the switch is dangerous and must be repaired.
- Store idle power tools out of the reach of children and do not allow persons unfamiliar with the power tool or these instructions to operate the power tool. Power tools are dangerous in the hands of untrained users.
- Maintain power tools. Check for misalignment or binding of moving parts, breakage of parts and any other condition that may affect

the power tool's operation. If damaged, have the power tool repaired before use. Many accidents are caused by poorly maintained power tools.

- Keep cutting tools sharp and clean. Properly maintained cutting tools with sharp cutting edges are less likely to bind and are easier to control.
- Use the power tool, accessories and tool bits etc. in accordance with these instructions, taking into account the working conditions and the work to be performed. Use of the power tool for operations different from those intended could result in a hazardous situation.

SAFETY INFORMATION

PERSONAL SAFETY

- Stay alert, watch what you are doing and use common sense when operating the machine. Do not use the machine while you are tired or under the influence of drugs, alcohol or medication.
- Use personal protective equipment such as dusk masks and non-skid safety shoes. Always wear eye protection.
- Prevent unintentional starting. Ensure the switch is in the off -position before connecting to power source, picking up or carrying the tool.
- Do not carry the machine with your finger on the switch .
- Remove any adjusting key or wrench before turning the machine on. A wrench or a key left attached to a rotating part of the machine may result in personal injury.
- Do not overreach. Keep proper footing and balance at all times.
- Dress properly. Do not wear loose clothing or jewellery. Keep your hair, clothing and gloves away from moving parts. Loose clothes, jewellery or long hair can be caught in moving parts.
- If devices are provided for the connection of dust extraction and collection facilities, ensure these are connected and properly used. Use of dust collection can reduce dust-related hazards.
- Warning! Switch off, remove plug from mains before adjusting, cleaning or if cable is cut, damaged or entangled.
- The blades continue to rotate for a few seconds after the machine is switched off.
- The operating voltage is 220-240V~, 50Hz. If you want to use an extension cable should not be lighter than:
 - if rubber insulated, or ordinary tough rubber sheathed flexible cord
 - if polyvinyl chloride insulated, ordinary polyvinyl chloride sheathed flexible cord (code designation H05 VVF) and the following cable dimensions should be used:

SAFETY INFORMATION

- 1.0mm²: max. length 40m
- 1.5 mm²: max. length 60m
- 2.5 mm²: max. length 100m

Note: If an extension cable is used it must be earthed and connected through the plug to the earth cable of your supply network in accordance with prescribed safety regulations.

- If in doubt contact a qualified electrician or call the after sales support.
- **WARNING!** Inadequate extension cables can be dangerous. Extension cable, plug and socket must be of watertight construction and intended for outdoor use.
- It is recommended for increased electrical safety to use a Residual Current Device (RCD) with a tripping current of not more than 30mA. Always check your RCD every time you use it.

OPERATING SAFETY

TRAINING

- Read the instructions carefully. Be familiar with the controls and the proper use of the machine.
- Never allow people unfamiliar with these instructions or children to use the product. Local regulations can restrict the age of the operator.
- Never use the machine while people, especially children, or pets are nearby. Keep in mind that the operator or user is responsible for accidents or hazards occurring to other people or their property.

PREPARATION

- While operating the machine always wear substantial footwear and long trousers. Do not operate the machine when barefoot or wearing open sandals. Avoid wearing clothing that is loose fitting or that has hanging cords or ties.
- Thoroughly inspect the area where the machine is to be used and remove all objects which can be thrown by the machine.

SAFETY INFORMATION

- Before using, always visually inspect to see that the blade, blade bolt and the blade assembly are not worn or damaged. Replace worn or damaged components in sets to preserve balance. Replace damaged or unreadable labels.
- Before use check the supply and extension cord for signs of damage or aging. If the cord becomes damaged during use, disconnect the cord from the supply immediately.

OPERATION

- Operate the machine only in daylight or in good artificial light. Do not expose the product to rain or wet conditions. Avoid using the product in bad weather conditions especially when there is a risk of lightning.
- Never operate the machine with defective guards or shields, or without safety devices, for example deflectors and/or grass collector, in place.
- Do not put hands or feet near or under rotating parts. Keep clear of the discharge opening at all times.

- Before use check the controls and correct operation of the product.
- Before using the product or after any impact, check for signs of wear or damage and repair as necessary.
- Always disconnect the product from the power supply (i.e. remove the plug from the power supply)
 - Whenever leaving the product unattended;
 - Before clearing a blockage;
 - Before checking, cleaning or working on the product
 - After striking a foreign object;
 - Whenever the product starts vibrating abnormally.
- Always ensure that the air vents are kept clear of debris.
- Never use replacement parts or accessories not provided or recommended by the manufacturer.
- Position the cord so that it will not be caught by the cutting attachment during operation.
- Disconnect from the power supply when the cord

SAFETY INFORMATION

becomes damaged or tangled.

- Do not use the product if the cord is damaged or worn.
- Warning! The cutting blade may continue to move after the product is switched off.
- Keep the extension cord away from the blades at all times.
- Always be sure of your footing on slopes.
- Walk, never run.
- Mow across the face of slopes, never up and down.
- Exercise extreme caution when changing direction on slopes.
- Do not mow excessively steep slopes.
- Use extreme caution when reversing or pulling the machine towards you.
- Stop the blade(s) if the machine has to be tilted for transportation when crossing surfaces other than grass, and when transporting the machine to and from the area to be used.
- Never operate the machine with defective guards or shields, or without safety

devices, for example deflectors and/or grass collector, in place.

- Switch on the motor carefully according to instructions and with feet well away from the blade(s).
- Do not tilt the machine when switching on the motor, except if the machine has to be tilted for starting. In this case, do not tilt it more than absolutely necessary and lift only the part, which is away from the operator.
- Do not start the machine when standing in front of the discharge opening.
- Do not transport the machine while the cutting blade is running. Make sure that all moving parts have come to a complete stop.
 - Whenever you leave the machine,
 - Before clearing blockages or unclogging chute,
 - Before checking, cleaning or working on the machine,
 - After striking a foreign object. Inspect the machine for damage and make repairs before restarting and operating the machine.

SAFETY INFORMATION

- If the machine starts to vibrate abnormally (check immediately),
 - inspect for damage,
 - replace or repair any damaged parts,
 - check for and tighten any loose parts.

EMERGENCY

- **WARNING!** Familiarize yourself with the use of this machine by means of this instruction manual. Memorise the safety directions and follow them to the letter. This will help to prevent risks and hazards.
- Always be alert when using the machine, so that you can recognize and handle risks early. Fast intervention can prevent serious injury and damage to property.
- Switch off and disconnect from the power supply if there is any malfunction. Have the machine checked by a qualified specialist and repaired, if necessary before you put it into operation again.

RESIDUAL RISKS

- **WARNING!** Even if you are operating the machine in accordance with all

safety requirements, potential risks of injury and damage remain. The following dangers can arise in connection with the structure and design of this machine:

- Health defects resulting from vibration emission if the machine is being used over long periods of time or not adequately managed and properly maintained.
- Injuries and damage to property due to broken application tools or sudden impact of hidden objects during use.
- **WARNING!** This machine produces an electromagnetic field during operation! This field may under some circumstances interfere with active or passive medical implants! To reduce the risk of serious or fatal injury, we recommend persons with medical implants to consult their doctor and medical implant manufacturer before operating this product!

SAFETY INFORMATION

MAINTENANCE AND STORAGE SAFETY

- Keep all nuts, bolts and screws tight to be sure the machine is in safe working condition.
- Check the grass collector frequently for wear or deterioration.
- On machines with multi blades, take care as rotating one blade can cause other blades to rotate.
- Be careful during adjustment of the machine to prevent entrapment of the fingers between moving blades and fixed parts of the machine.
- Always allow the machine to cool down before storing.
- When servicing the blades be aware that, even though the power source is switched off, the blades can still be moved.
- Replace worn or damaged parts for safety. Use only genuine replacement parts and accessories.

SERVICE

- Have your machine repaired by an authorized service agent. This machine is manufactured in accordance with the

relevant safety regulations. To avoid danger, equipment must only be repaired by qualified technicians.

- Only use parts and accessories made for this machine by the manufacturer. Failure to do so can result in personal injury.

INTENDED USE

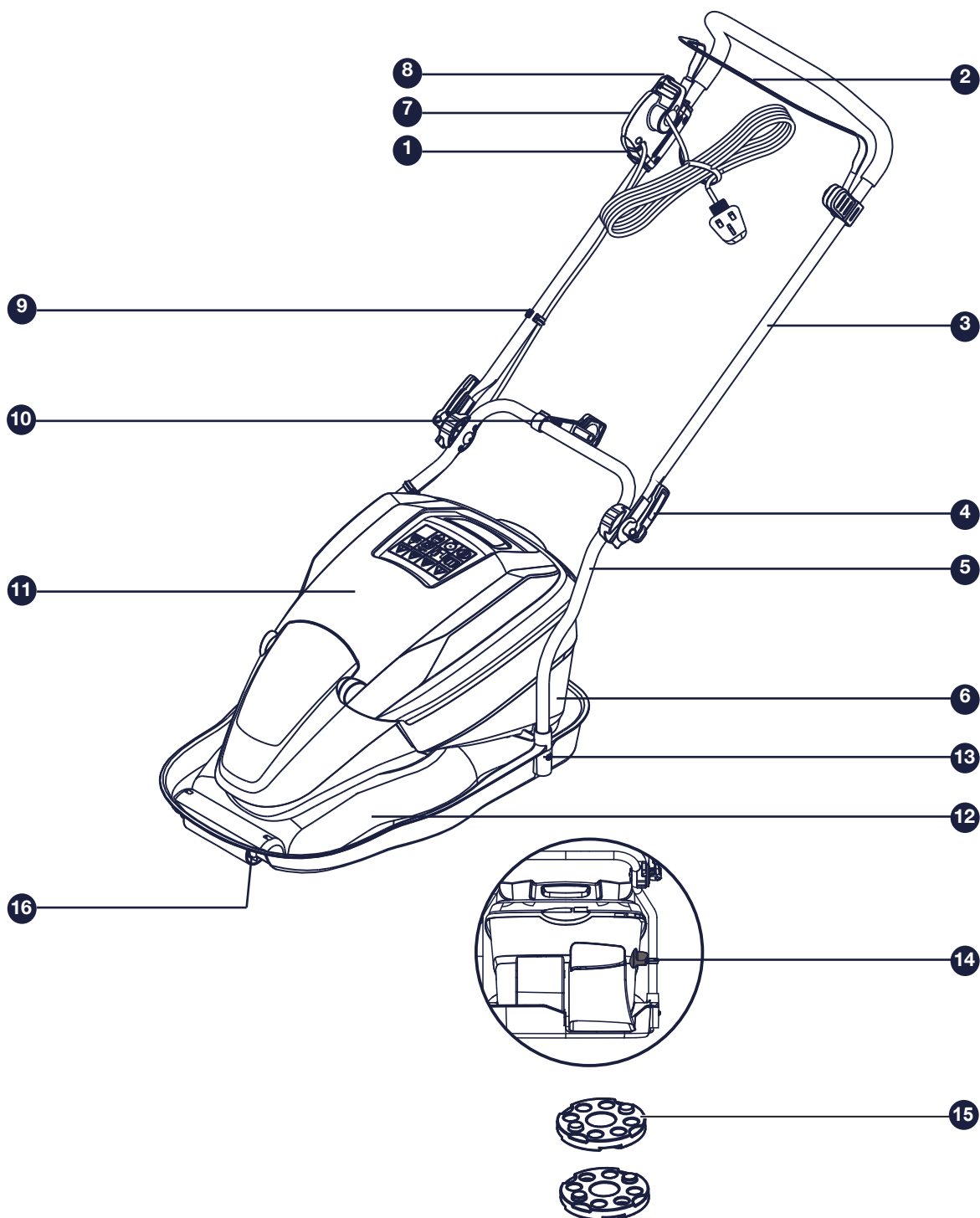
This Hover is designed for domestic use only:

- This electric Hover is intended for mowing lawns in domestic and hobby gardens.
- This product is not to be used in wet weather conditions and may not be used to mow wet or unusually high grass, e. g. pasture grass or for shredding leaves.
- This product is intended for private domestic use only, not for any commercial trade use. It must not be used for any purposes other than those described. Any use of the machine that deviates from its intended use and is not included in these.

IN THE BOX

PARTS 7367416 (S1836EH)

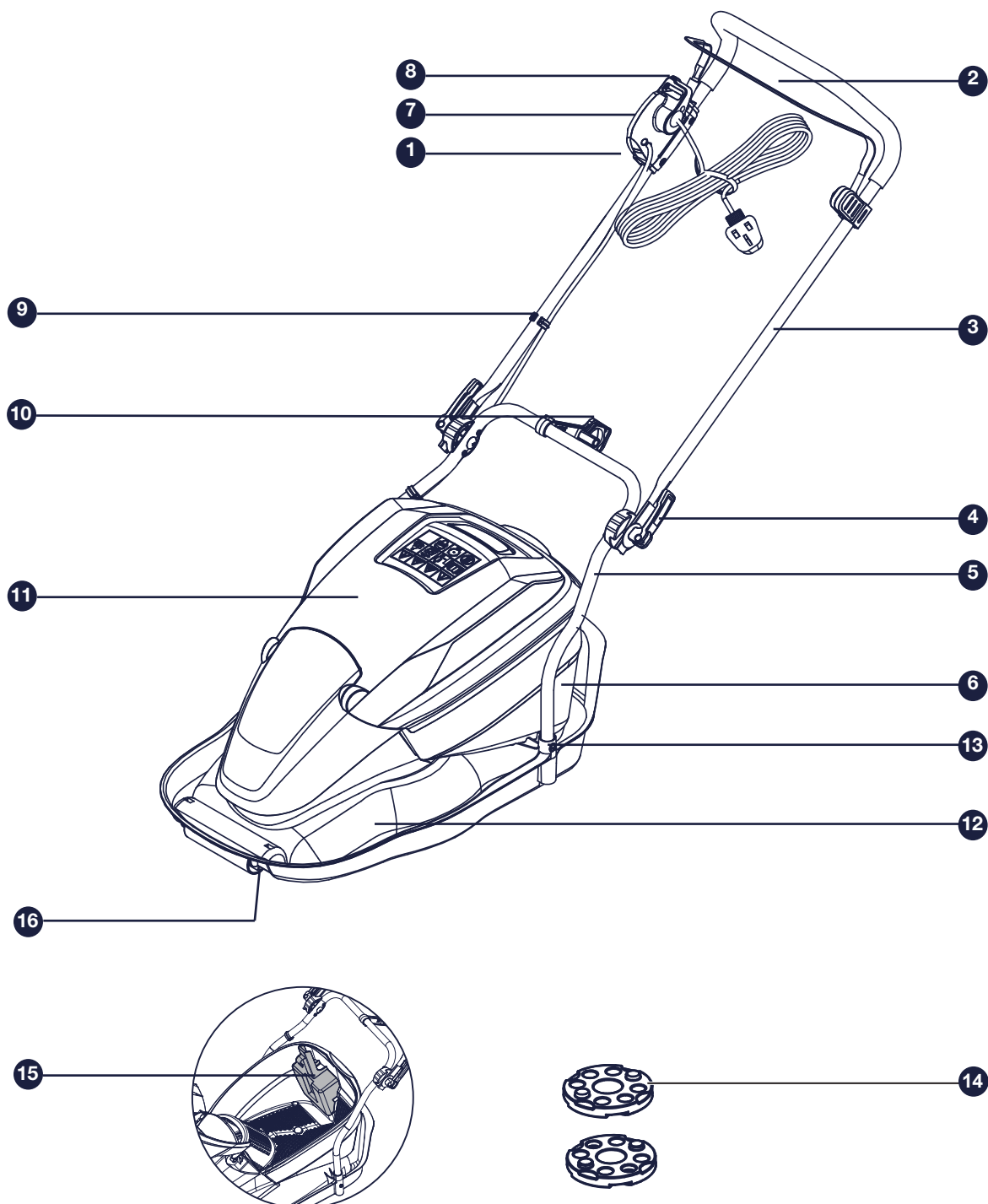
- | | | | |
|-----------------------|----------------------------|-----------------|--|
| 1 Switch box | 6 Grass box | 10 Spanner | 14 Mulch mode selection switch(on the box) |
| 2 on/off switch lever | 7 Safety lock-off button | 11 Grassbox lid | 15 Spacer*3 (one piece is pre-assembled) |
| 3 Upper handle | 8 Cable strain relief hook | 12 Deck | 16 Wheel |
| 4 Quick release lever | 9 Cable clamp | | |
| 5 Lower handle | | | |



IN THE BOX

PARTS 7454154 (S1733EH)

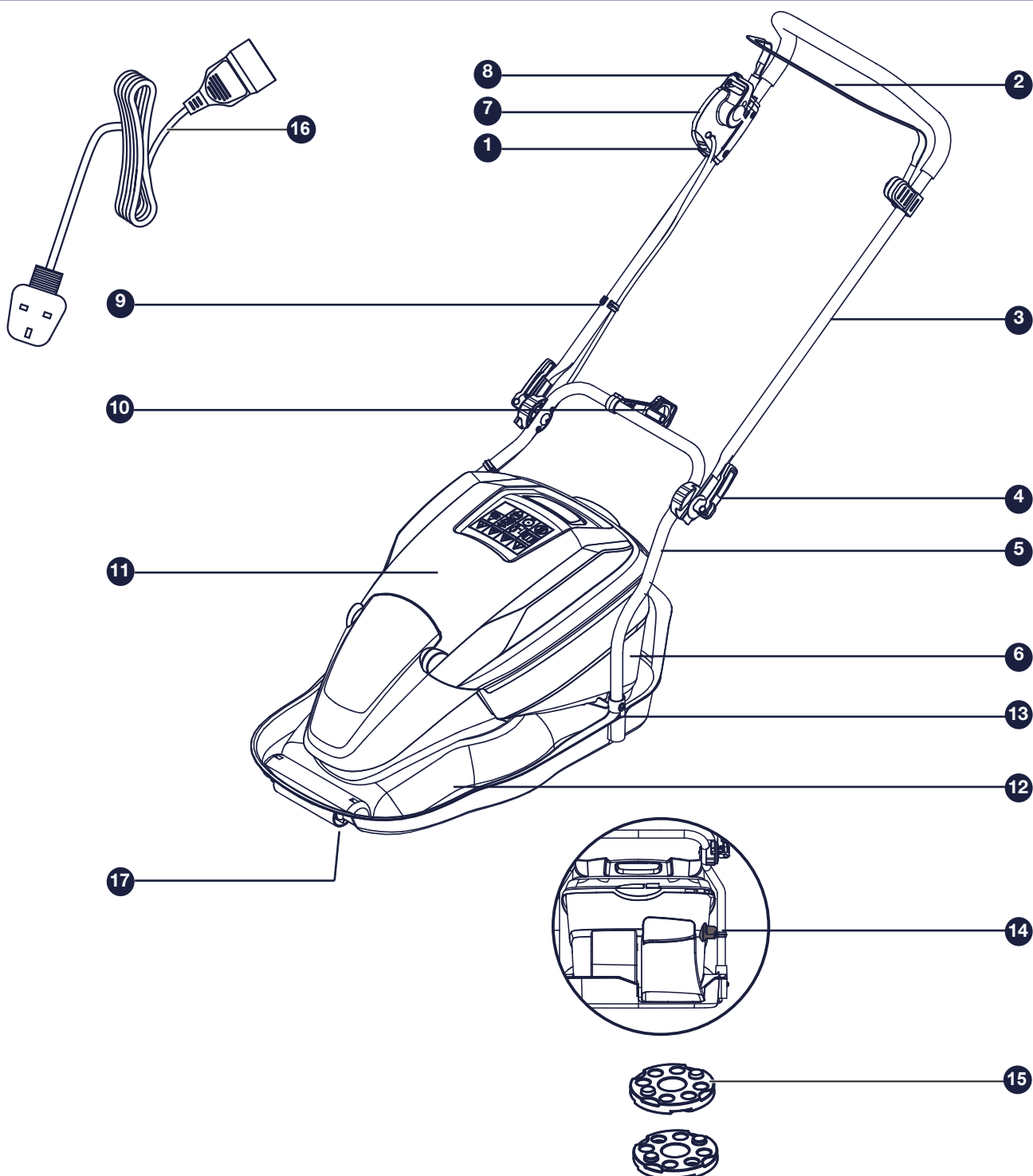
- | | | | |
|-----------------------|----------------------------|-----------------|--|
| 1 Switch box | 6 Grass box | 9 Cable clamp | 14 Spacer*3 (one piece is pre-assembled) |
| 2 On/off switch lever | 7 Safety lock-off button | 10 Spanner | 15 Mulch plug |
| 3 Upper handle | 8 Cable strain relief hook | 11 Grassbox lid | 16 Wheel |
| 4 Quick release lever | | 12 Deck | |
| 5 Lower handle | | 13 Screw*2 | |



IN THE BOX

PARTS 7498103 (MEH1735AE)

- | | | | |
|-----------------------|----------------------------|------------------------|---|
| 1 Switch box | 6 Grass box | 10 Spanner | switch(on the box) |
| 2 on/off switch lever | 7 Safety lock-off button | 11 Grassbox lid | 15 switchSpacer*3
(one piece is pre-assembled) |
| 3 Upper handle | 8 Cable strain relief hook | 12 Deck | 16 Detachable cable |
| 4 Quick release lever | 9 Cable clamp | 13 Screw*2 | 17 Wheel |
| 5 Lower handle | | 14 mulch mode exchange | |



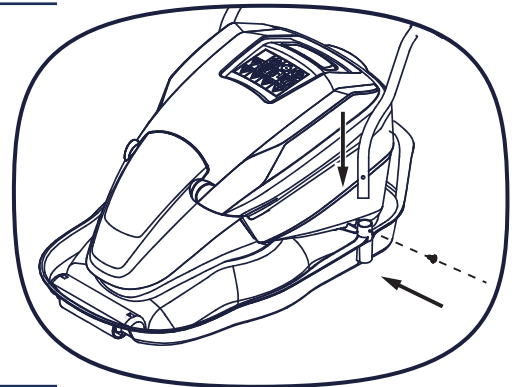
ASSEMBLY

1 Unpacking

- i. Unpack all parts and lay them on a flat, stable surface.
- ii. Remove all packing materials and shipping devices if applicable.
- iii. Make sure the delivery contents are complete and free of any damage. If you find that parts are missing or show damage do not use the product but contact the aftersales helpline within 28 days of purchase. Using an incomplete or damaged product represents a hazard to people and property.
- iv. Ensure that you have all the accessories and tools needed for assembly and operation. This also includes suitable personal protective equipment.

2 Fix the Lower handle

- Fully insert the lower handle into the slot on the deck.
Fasten in position with the 2 screws provided.

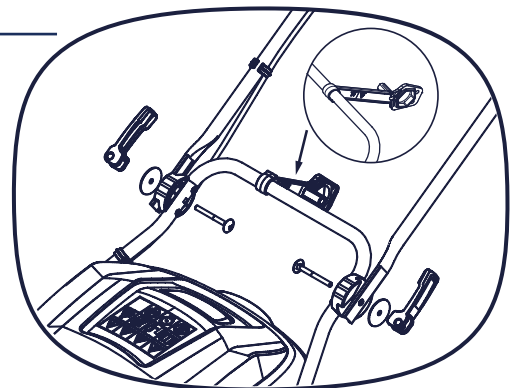


3 Fix the upper handle

- Attach the upper handle to the lower handle tubes using bolts and wingknobs.

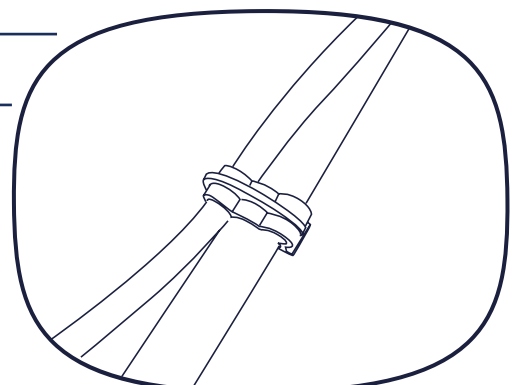
Once fitted correctly the upper handles should still move up and down. this freedom of movement allows the hover mower to float correctly on the uneven surfaces of a lawn. Do not over tighten these wingknobs.

The spanner could be easily fixed on the machine like below way



4 Fix the cable

- Ensure that the cables clied are used to fix the cable to the handle.

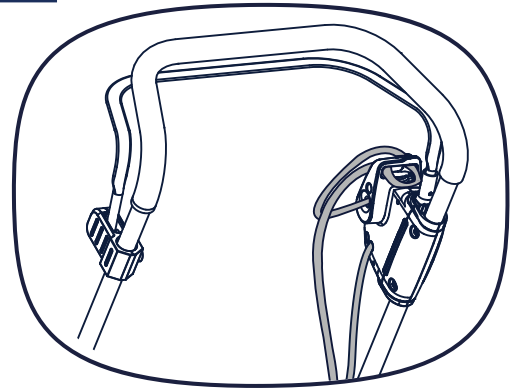


PREPARE

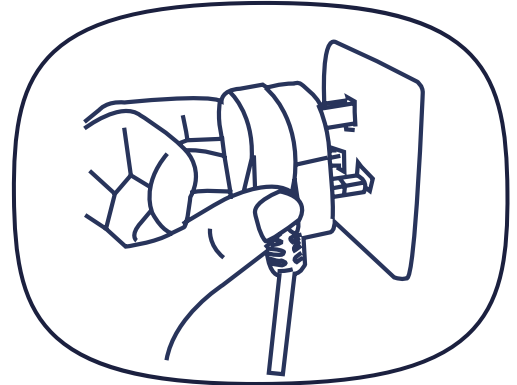
5

Connection to the power supply

i. Hook the mains cable through the cable strain-release to reduce the strain on the cable fitting as you mow.



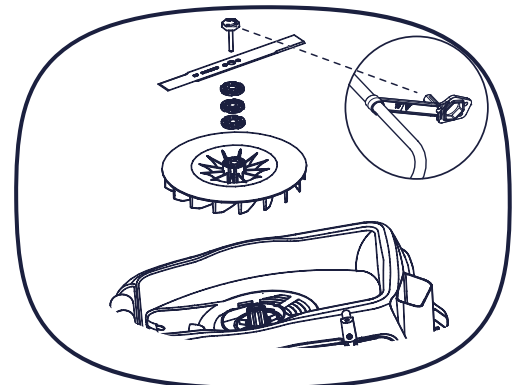
ii. Connect the plug to the main socket.



Setting the cutting height

Remove the blade bolt, add the spacer to your suitable cutting height.

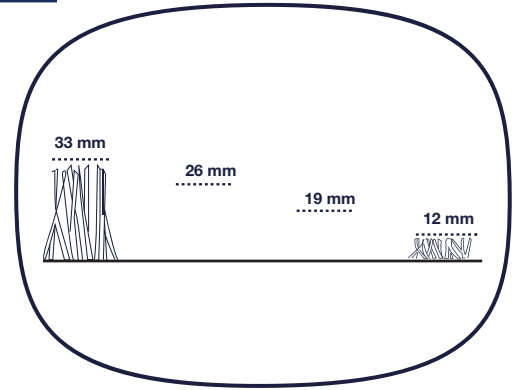
Cutting position	Cutting height
1 (Non-spacer)	33mm
2 (1 spacer, pre-assemble)	26mm
3 (2 Spacers)	19mm
4 (3 spacers)	12mm



OPERATE

Mowing tips

- i. Verify that the lawn is free of stones, sticks, wires, and other objects that could damage the hover.
- ii. When cutting thick grass, reduce walking speed in order to allow for a more effective cut and a proper discharge of the clippings.
- iii. Never cut off more than one-third of the total length of the grass for a healthy lawn. If it is roughly 6cm long, the grass should not be shorter than 4cm once mowed. If the grass is higher, you should gradually cut it down to the desired length so as not to damage the grass.
- iv. Do not cut wet grass because it tends to stick to the underbody of the hover, preventing the proper discharge of grass clippings.



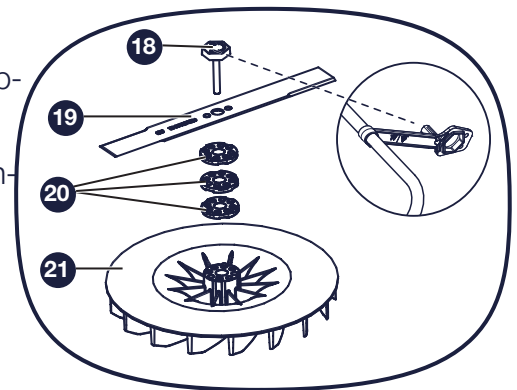
Blade Maintenance

Always switch the product off, disconnect it from power supply and let the product cool

down before performing inspection, maintenance and cleaning work!

Removing the blade and fan. USE GLOVES.

- To remove the blade bolt **18**, hold the blade **19** firmly and with the spanner **10** provided loosen the blade bolt **18**.
- Remove the blade bolt **18**, blade **19**, spacer **20** and impeller **21**.
- Inspect for damage and clean as necessary.



Renew your metal blade after 50 hours mowing or 2 years whichever is the sooner-regardless of condition. If the blade is cracked or damaged replace it with a new one. Never use a blade bolt if the insulated head is damaged cracked or missing.

Fitting the blade and impeller. USE GLOVES.

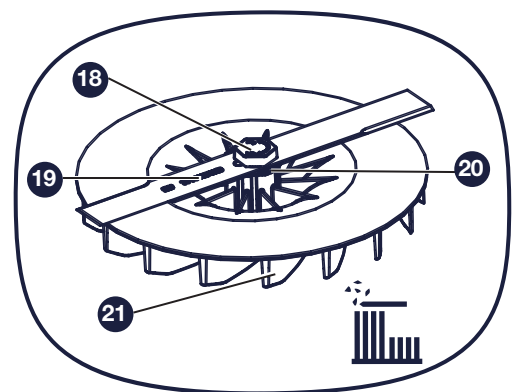
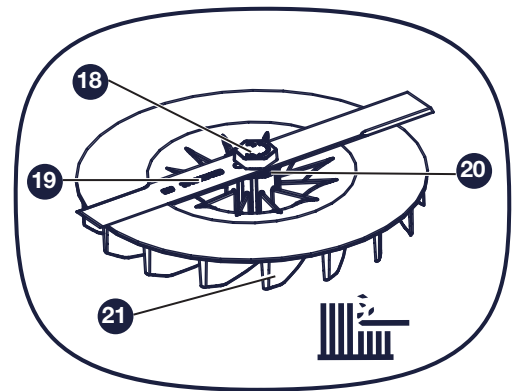
- Ensure the impeller **21** is located correctly.
- Place the spacers **20** onto the fan ensuring the pegs have located into the holes
- Ensure the pegs have located into the holes on the blade and that the blade is positioned as illustrated in figure 6.
- Place the blade bolt **18** through the centre hole of the blade.
- Tighten down clockwise by hand.
- Hold the blade **19** firmly and tighten the blade bolt with the spanner provided.

OPERATE

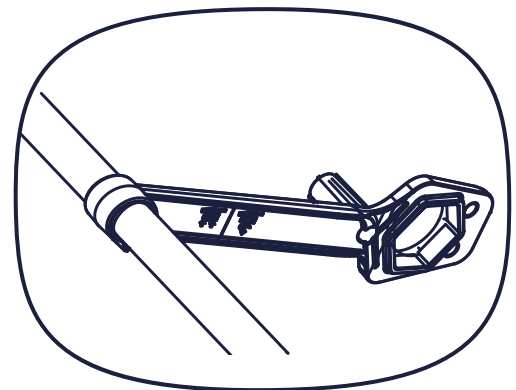


IMPORTANT! Ensure the power cord is disconnected from the mains supply and wait until the cutting head has stopped rotating before adjusting the cutting height.

- There are 4 different cutting heights. Figure 7 shows the lowest cutting height, 3 spacers. Figure 8 shows the highest cutting height, no spacers. Adding spacers reduces the cutting height, removing spacers increases cutting height
- Disconnect from the main electricity supply and wait until impeller **21** and the blade bolt **18** have stopped rotating.
- Turn your product upside down.
- To remove the blade **19** and adjust the number of spacers **20**, use the spanner **10** to remove blade bolt **18**. The spacers **20** and blade **19** can now be removed and the number of spacers adjusted.
- Spacers that are not being used can be stored on the spanner to prevent loss.
- Refit the blade as described in Blade Maintenance.



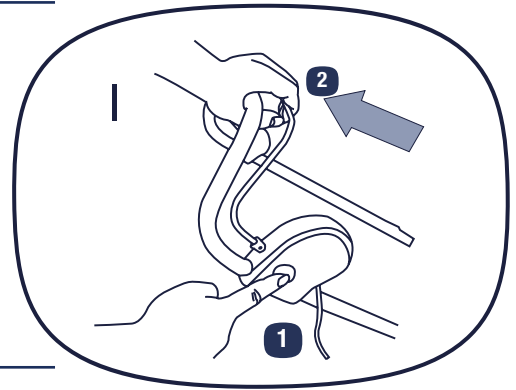
When removing a spacer from its storage location on the spanner, gently twist it as you remove it. When you replace a spacer back to this location just push it firmly into position.



OPERATE

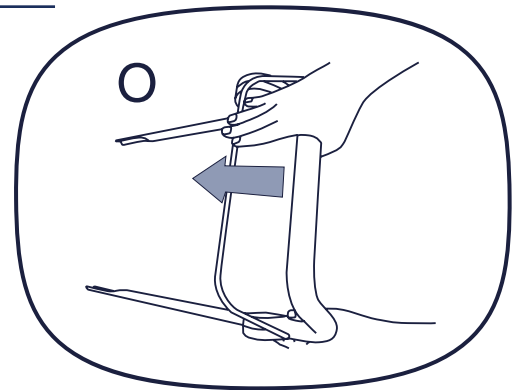
Switching on

- i. Press the button (1).
- ii. Pull the switch bar (2) towards the handle and hold in position.



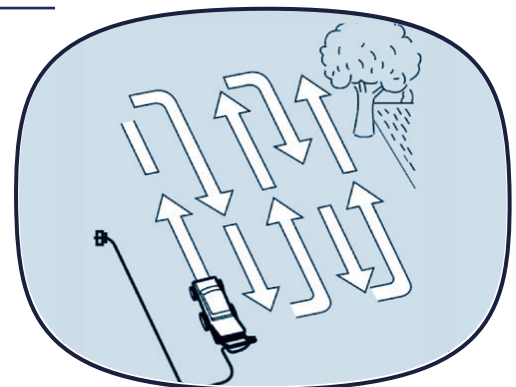
Switching off

Release the switch bar.



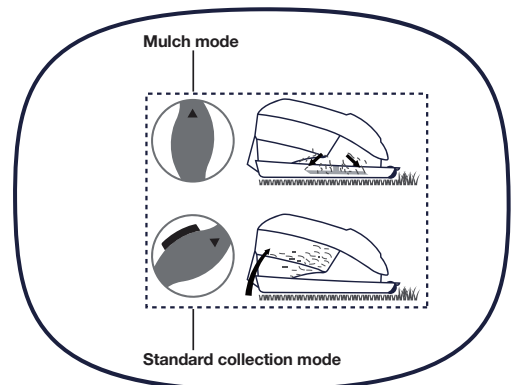
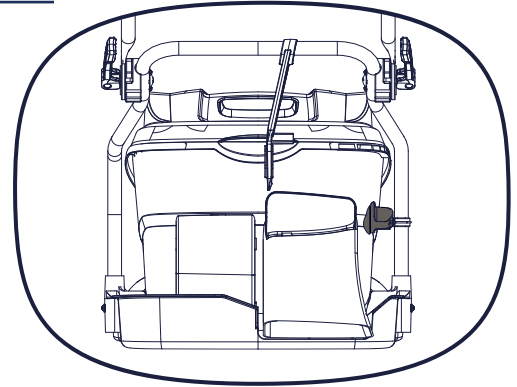
Mowing direction

To avoid cutting the mains cable and to collect grass clippings correctly please mow away from the plug socket following the arrows and avoid twisting the power cord.



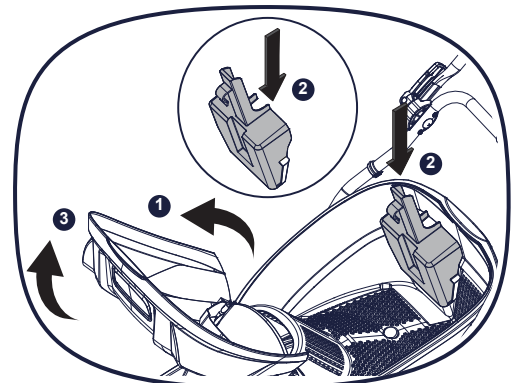
Mulching operation (S1836EH MEH1735AE)

Rotate the Mulch Mode Switch, anti-clockwise to select mulch mode and clockwise to return to collect mode.



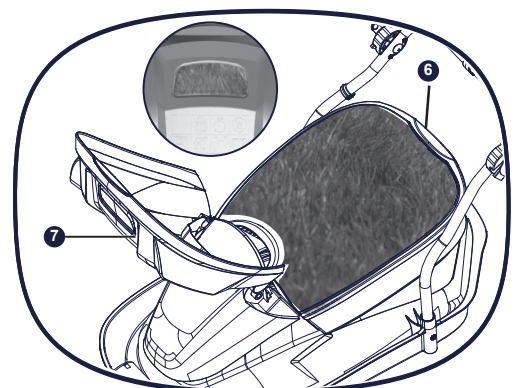
Mulching operation (S1733EH)

Lift up the grass box lid **1** and fit the mulch plug **2** over the grass inlet chute, then put grass lid back in place **3**.



Emptying the Grassbox (S1733EH)

- Stop the product and wait until the blade has stopped rotating before emptying the grassbox
- Lift up the grassbox lid **7**.
- Lift the grassbox **6** off the product and empty. Failure to fit the grassbox and lid correctly will cause poor collection of grass clippings.





WARNING!

Always switch the product off, disconnect it from the power supply and let the product cool down before performing inspection, maintenance and cleaning work!

- i. Keep the underbody and cutting blade clean and free of debris. Remove clippings from the discharge chute.
- ii. Check all nuts and bolts periodically for tightness before operation. After prolonged use, especially in sandy soil conditions, the cutting blade will become worn and lose some of its original shape. The cutting efficiency will be reduced and the cutting blade should be replaced.
- iii. Lubricate the cutting blade after each use to prolong the life span of the cutting blade and product. Apply light machine oil along the edge of the cutting blade.

Repair

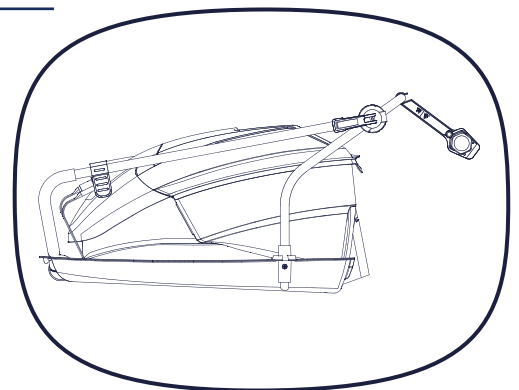
This product does not contain any parts that can be repaired by the consumer. Contact an authorised service centre or a similarly qualified person to have it checked and repaired.

Storage

Switch the product off and disconnect from power supply.

Clean the product as described above.

To reduce storage space, the upper handle can be folded down, unscrew the wing nuts by approximately 6 revolutions.



Transportation

- i. Switch the product off and disconnect from power supply.
 - ii. Protect the product from any heavy impact or strong vibrations which may occur during transportation in vehicles.
 - iii. Secure the product to prevent it from slipping or falling over.
-



Recycling and disposal

- The product comes in a package that protects it against damage during shipping. Keep the packaging until you are sure that all parts have been delivered and the product is functioning properly. Recycle the packaging afterwards.
- Old products are potentially recyclable and do not, therefore, belong in your household rubbish. You are requested to assist us and our contribution to saving resources and protecting the environment by handing in this product at an equipped collection centre (if there is one available).

TECHNICAL DATA

Model	7367416(S1836EH)	7454154(S1733EH)	7498103(MEH1735AE)
Voltage	220-240V~ 50Hz	240V~50Hz	220-240V~ 50Hz
Power Input	1800W	1700W	1700W
Cutting Speed	4200/min		
Cutting Width	36cm	33cm	35cm
Cutting height adjustment	12,19,26,33mm 4 Levels		
Volume of Grass collector	26L	20L	26L
L _{PA} Sound emission level	76dB(A) K=3dB(A)		
L _{WA} Sound Power level	96dB(A)		
Vibration	≤2,5m/s ²	≤2,5m/s ²	≤2,5m/s ²
Protection Class	□ II		

PARTS 7498103 (MEH1735AE)

Part numbe: 7367416 (SJ1836EH)	ACCESSORIES
111019107	Blade
111229110	Wing knobs
111019106	Blade Spacer

Part numbe: 7454154 (S1733EH)	ACCESSORIES
111049104	Blade
111229110	Wing knobs
111019106	Blade Spacer

Part numbe: 7498103 (MEH1735AE)	ACCESSORIES
111019107	Blade
111229110	Wing knobs
111019106	Blade Spacer

TECHNICAL DATA

The sound values have been determined according to noise test code given in EN 60335-2-77, using the basic standards EN ISO 11201 and EN ISO 3744. The sound intensity level for the operator may exceed 80 dB(A) and ear protection measures are necessary.

The declared vibration value has been measured in accordance with a standard test method (according to EN 60335-2-77) and may be used for comparing one product with another. The declared vibration value may also be used in a preliminary assessment of exposure.



WARNING! Depending on the actual use of the product the vibration values can differ from the declared total! Adopt proper measures to protect yourself against vibration exposures! Take the whole work process including times the product is running under no load or switched off into consideration!

Proper measures include among others regular maintenance and care of the product and cutting attachments, keeping hands warm, periodical breaks and proper planning of work processes!

TROUBLESHOOTING

Suspected malfunctions are often due to causes that the user can fix themselves. Therefore, check the product using this section. In most cases the problem can be solved quickly.



WARNING! Only perform the steps described within these instructions! All further inspection, maintenance and repair work must be performed by an authorised service centre or a similarly qualified specialist if you cannot solve the problem yourself!

Gloves and appropriate protective clothing must be worn when performing these instructions.

Fault	Possible Cause	Solution
Hover does not start	No power at mains socket	Check the fuse, switch, socket, cable, wire and have any repairs carried out by a qualified electrician.
	Defective on/off switch	Repair by a qualified technician required.
	Defective motor	
Poor floatation	Impeller is blocked by grass	Disconnect from mains and clean the deck and the impeller
Poor collection	Cut height too low	Raise the cutting height.
	Grassbox fitted incorrectly	Fit the grassbox correctly.
	Mowing in side to side movements	The Hover collects at the rear as users walk forward in straight lines.
Excessive vibration	Blade damaged	Replace blade.
	Blade fitted incorrectly	Fit the blade correctly.

WARRANTY

If your device develops a fault, please don't hesitate to contact our customer service department on 0345 605 2068, the majority of problems can be solved directly on the phone.

1. These warranty terms cover additional warranty rights and do not affect your statutory warranty rights. This product is covered by a 3 year manufacturer warranty.
2. Claims must be accompanied by proof of purchase. This must be in the form of a Sales receipt or bank statement and must show that the product has been purchased within the warranty period as described under point 1, from the retailer that it was originally bought from. Please keep your receipt safe or staple it to the back of this manual for future reference.
3. Our devices have not been designed for commercial, trade or industrial applications, any signs of use of the equipment in these application or equivalent activities, invalidates the warranty.
4. The following are also excluded from our warranty:
 - A. Faults due to accidents, customer misuse or unauthorized repairs
 - B. Consumable Parts such as blades, wheels, and other accessories that are compatible with the product.
 - C. Failure due to lack of routine maintenance.
 - D. Failure as a result of not using the equipment in accordance with the manual and safety instructions.

Warranty claims should be submitted before the end of the warranty period, see point 1. The original warranty period remains applicable to the device even if repairs are carried out or parts are replaced. In such cases, the work performed or parts fitted will not result in an extension of the warranty period, and no new warranty will become active for the work performed or parts fitted.

If you have any problems or questions concerning your garden power tool, please contact our after sales service at 0345 605 2068.