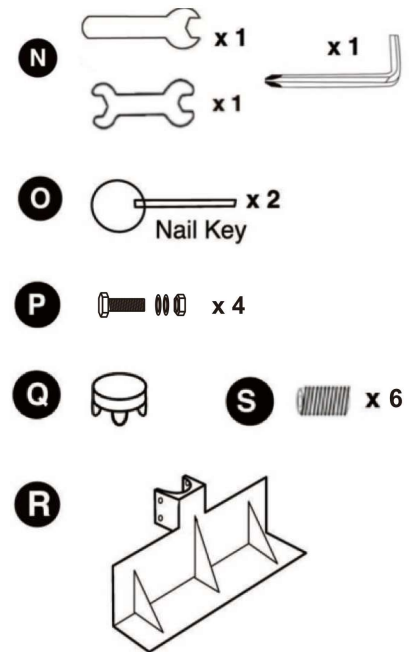
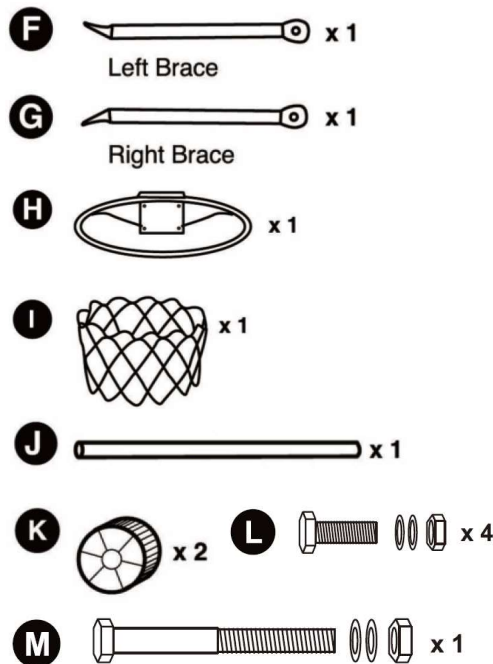
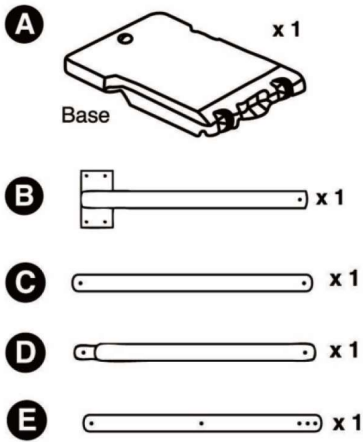


OPTI FULL SIZE NETBALL

Assembly & User Instructions - Please keep for future reference

745/2761

Components - Parts



WARNING



Do not hang or swing on the ring or use it to "Slam Dunk" or anything similar where you may touch the ring,

This product should be assembled by two adults prior to use.

The suppliers cannot accept responsibility for any damage caused to or by the product through misuse or incorrect installation.

Please read the Instructions carefully and check all component parts before assembly.

Before assembly carefully choose the location of the finished unit. The chosen area should be flat, smooth and free from obstructions, gravel or sharp objects.

The base should be fully filled with either water or sand before assembly.

When moving the unit be careful not to cause damage by dragging the base.

This equipment is for home use only and it is not designed or intended for formal matches or competition.

Do not wear any type of jewellery (rings, watches, necklaces etc) while using this equipment. Such items can become caught against the rim or the net and cause serious injury.

Do not use this equipment during severe weather conditions as the unit may fall over. When severe weather is expected adjust the unit to its lowest height and store in a safe and secure place.

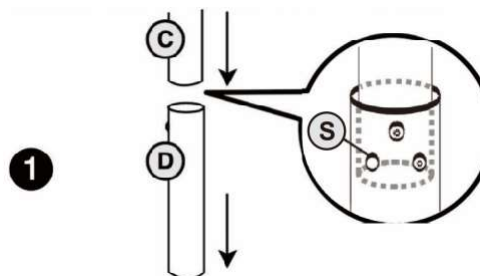
Check the equipment for loose and damaged parts prior to each use. If any problems are found discontinue use immediately.

This equipment must be assembled,



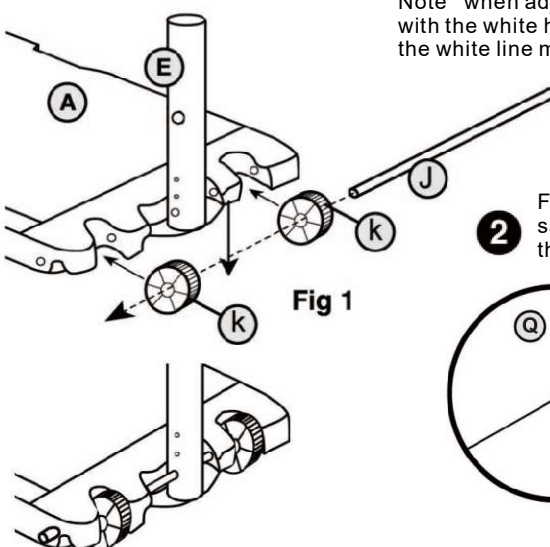
WARNING-CHOKING HAZARD
This item contains small parts, not suitable for children under 3 years old.

Assemble Instructions



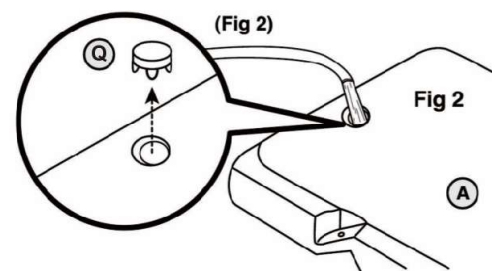
Attach tube (E) to water base (A). Use metal Axle (J) put it through wheel (K) Tube (E) and water base (A).

Connect tube (C) into tube (D), screw both frame by bolt (S) Put Tube (D) into (E), Twist to lock the tube in place.



Note when adjusting the height of the pole, match with the white heights line on the pole. Exceeding the white line may cause dangerous

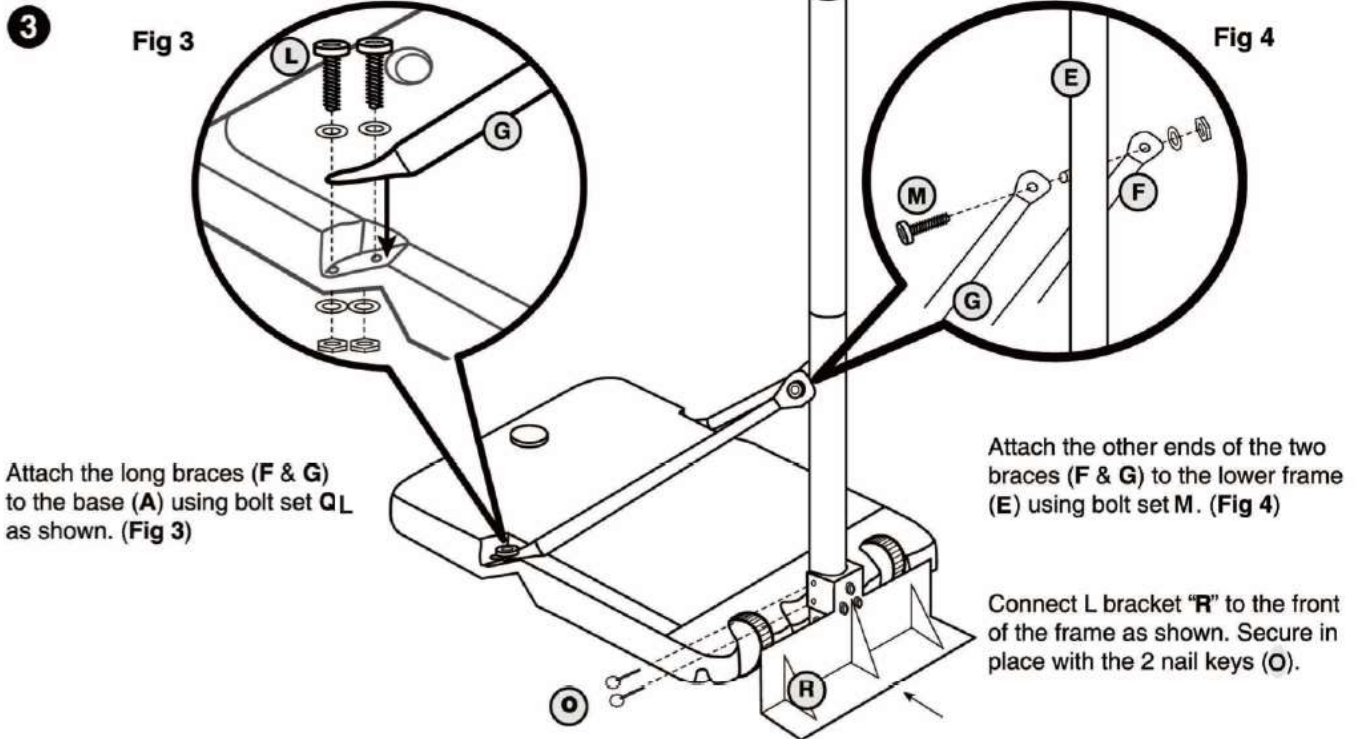
2 Fill the water base (A) with water or sand to secure it in place. Cover with the supplied plastic cap (Q)



Important – Please read these instructions fully before assembly or using

These instructions contain important information which will help you get the best from your equipment and ensure safe and correct assembly, use and maintenance.

If you need help or have damaged or missing parts, call the Customer Helpline: 0345 6402020

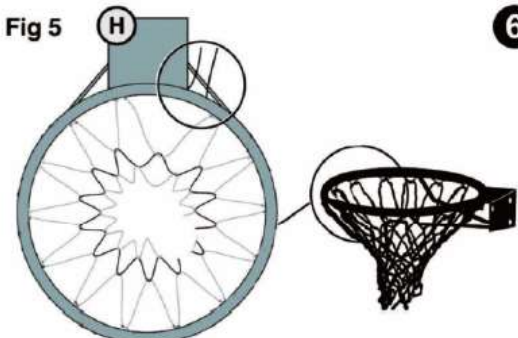


Attach the long braces (F & G) to the base (A) using bolt set QL as shown. (Fig 3)

Attach the other ends of the two braces (F & G) to the lower frame (E) using bolt set M. (Fig 4)

Connect L bracket "R" to the front of the frame as shown. Secure in place with the 2 nail keys (O).

4 Attach the net (I) to the ring (H) as shown (Fig 5).



6 **WARNING:** Please use a minimum of two adults who are capable of safely handling the weight of this unit to complete this step.

Carefully lower the assembled upper unit frame onto the lower assembled frame tube and lock in place by bolt (Fig 8) Be careful to avoid finger entrapment.

When the frame finished assembled then the frame height is 306 cm.

Adjust the height of the system by bolt (S) up to the white line drawn on the side of part B and screw in place. Then the frame height is 245CM

5 Attach frame B to part C to be able to connect the rest of the frame use the bolt (S) to lock in place by as shown (Fig 6), Attach the assembled ring (H) and top frame (B) together using bolt set (L) through all four holes as shown (Fig 7)

