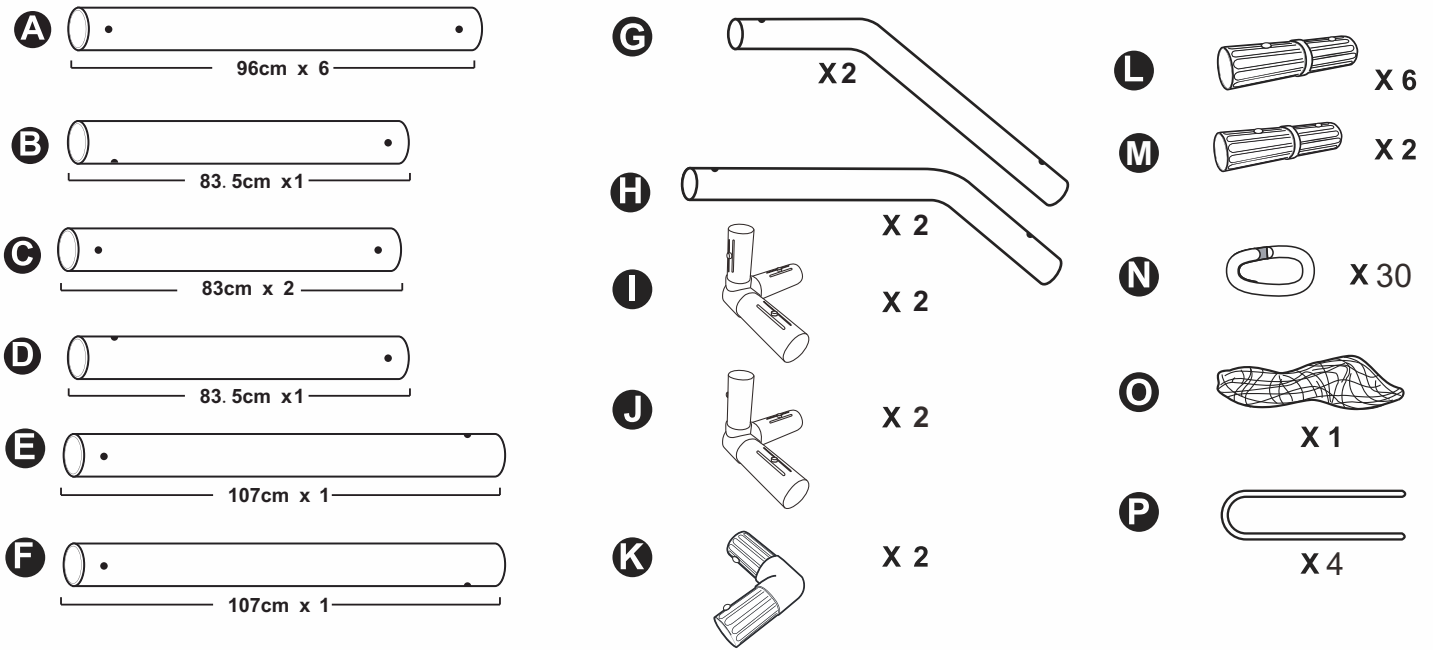


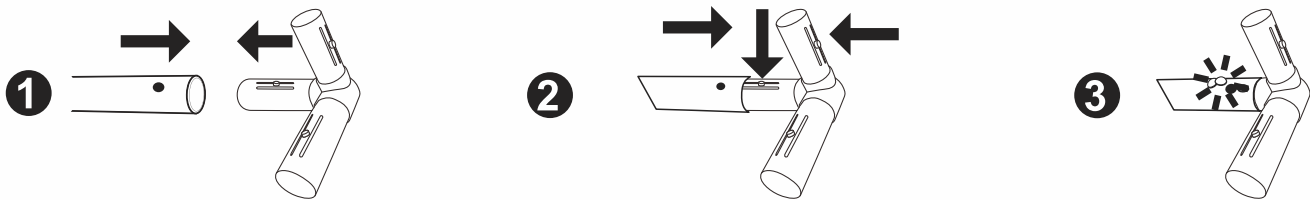
OPTI 10FT X 6FT PVC GOAL

Model No. 6144489

Part List



How to use the connectors



Slide the tube over the connector, depress the button continue to slide the tube until the button locates in the tube hole.



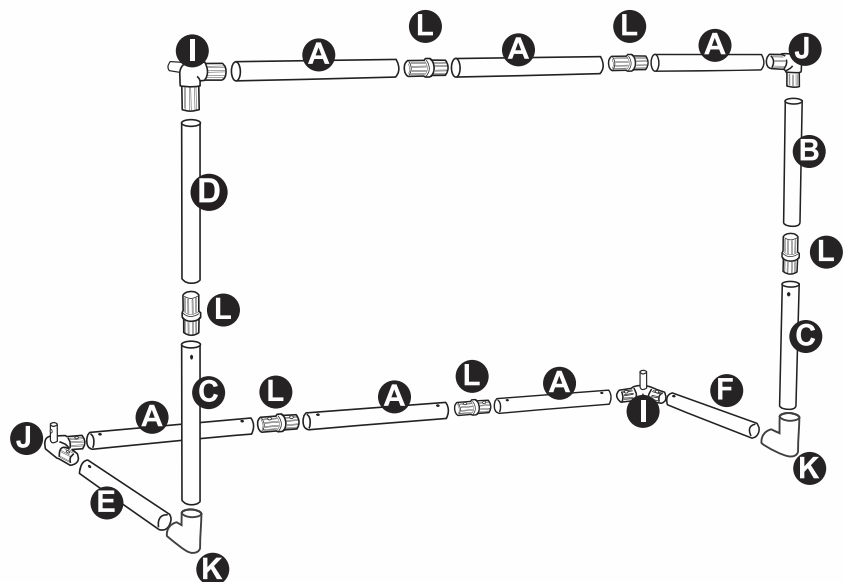
WARNING
Choking Hazard
Not suitable for children under 3 years, as product contains small parts.



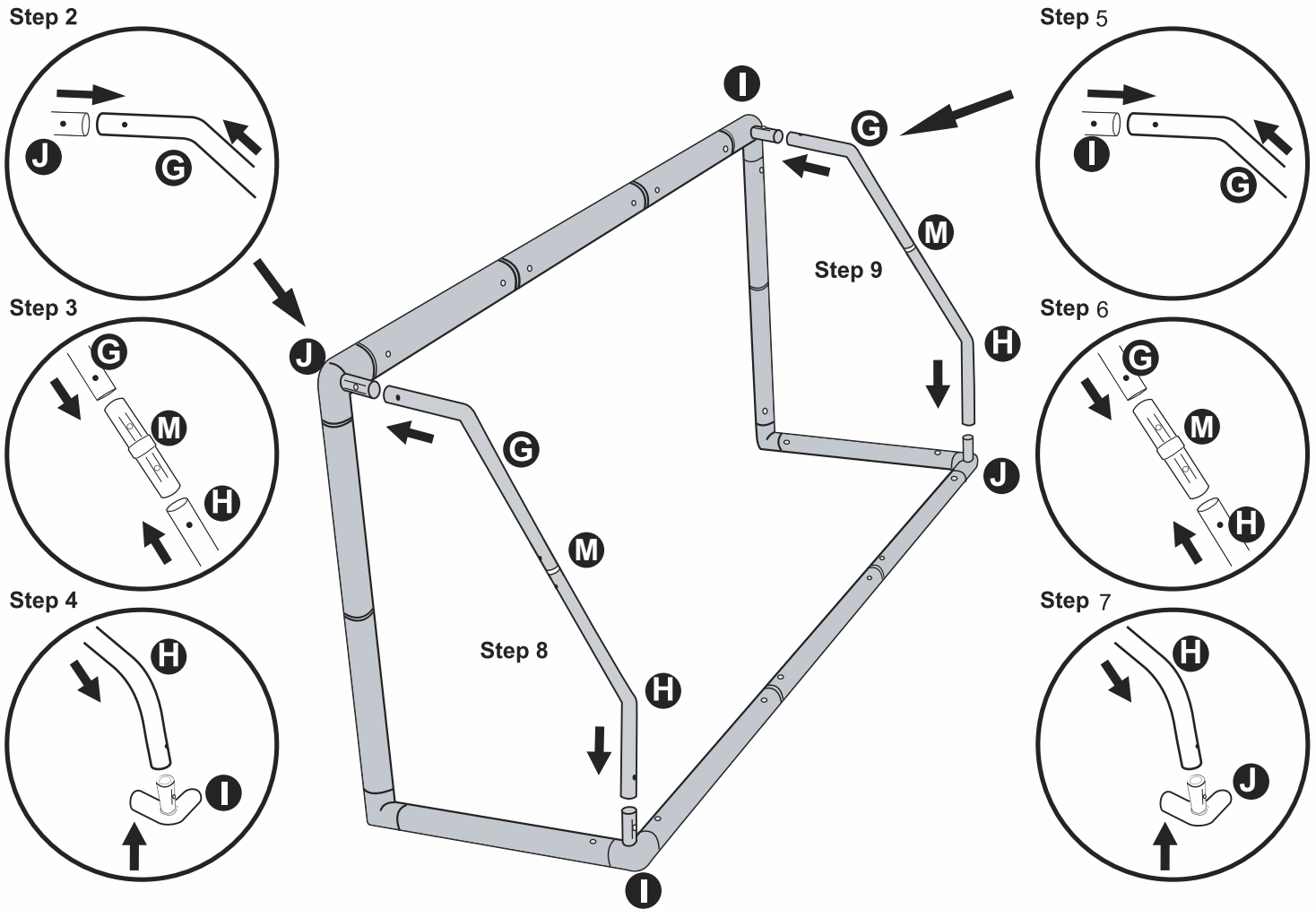
WARNING
A minimum of two people should be used to assemble the goal frame.

- To be assembled & dismantled by an adult.
- To be used on a flat grass surface
- Check all buttons are firmly tight and the frame assembly is securely pegged to ground before use.
- Do not leave outdoors in adverse weather conditions.
- Do not climb or hang from cross bar.
- Check regularly for wear and tear.
- Discontinue use if any breakage is found.
- Failure to do this may result in injury.
- Keep away from fire.
- Keep away from heat sources.

Step 1



Join the tubes together with connectors as illustrated.



Step 10

Spread the net out and locate the two red tabs. Put the net (O) over the frame with the red tabs in the top left and right hand corners of the frame.

Step 11

The seam of the net should follow the frame supports. Secure the net to the frame using the net clips (N), ensuring to space them out evenly over the whole frame.

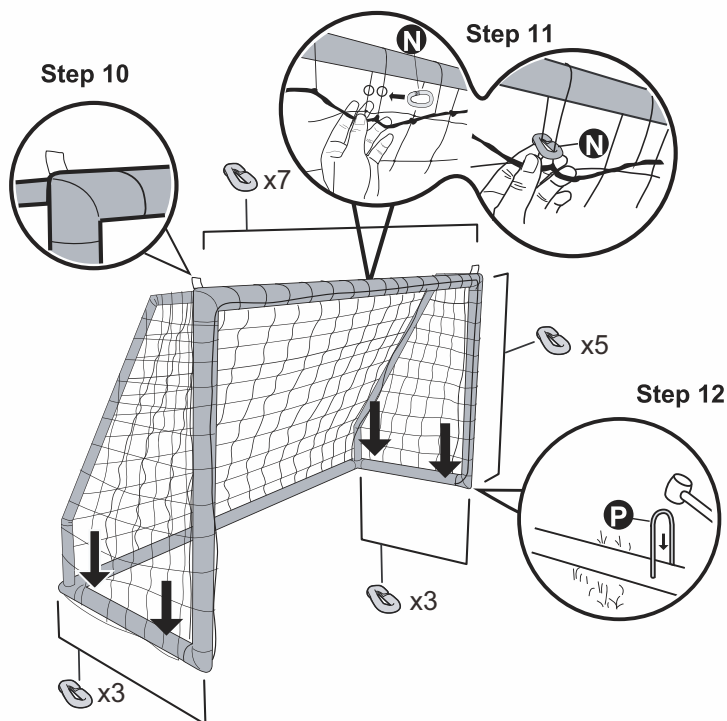
- Top x 7
- Bottom x 7
- Sides x 3
- Uprights x 5

Step 12

Position the assembled frame and fix to the ground using the 4 ground pegs (P). Position the ground pegs around the bottom tubes as illustrated by the arrows.

CAUTION:

Check regularly that pegs are secure. Loose pegs may cause injury. Care should be taken when using a mallet as misuse may cause injury.



Argos Ltd

489-499 Avebury Boulevard Central Milton Keynes MK9 2NW

Please keep all the relevant information for future reference.

