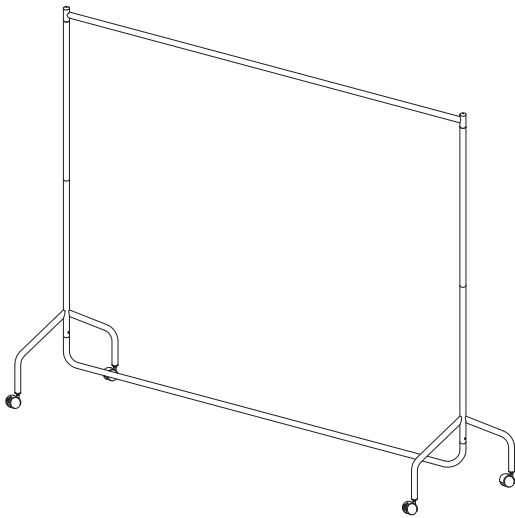


# HM Single Black Clothes Rail HD 4FT WIDE

Assembly Instructions - Please keep for future reference

736/9603



## Dimensions

Width - 120cm  
Depth - 44cm  
Height - 159.5cm

**Important - Please read these instructions fully before starting assembly**

If you need help or have damaged or missing parts, call the **Customer Helpline: Argos = 0345 640 0800**

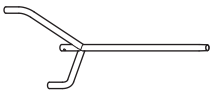
Issue 1 18/04/17

## Components - Parts

If you have damaged or missing components, call the **Customer Helpline: Argos = 0345 640 0800**

Please check you have all the panels listed below

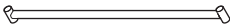
**1** Leg tube x 2 (86.4cm)



**2** Side tube x 2 (70cm)



**3** Hanging rail x 1 (120cm)



**4** Bottom tube x 1 (84cm)



## Components - Fittings

Please check you have all the fittings listed below

**Note:** The quantities below are the correct amount to complete the assembly. In some cases more fittings may be supplied than are required.

<b>A</b> Caster x 4 (2pcs. with brake, 2pcs. without brake)	<b>B</b> Flat head screw 40mm x 2	<b>C</b> Screw 32mm x 2
<b>D</b> Nut x 2	<b>E</b> Spanner x 1	<b>F</b> Allen key x 1

**Ruler** - Use this ruler to help correctly identify the screws



## Safety and Care Advice

**Important** - Please read these instructions fully before starting assembly

• Check you have all the components and tools listed on the following pages.

• Remove all fittings from the plastic bags and separate them into their groups.

• Keep children and animals away from the work area, small parts could choke if swallowed.

• Make sure you have enough space to layout the parts before starting.

• During assembly do not stand or put weight on the product, this could cause damage.

• Assemble the item as close to its final position (in the same room) as possible.

• Assemble on a soft level surface to avoid damaging the unit or your floor.

• Parts of the assembly will be easier with 2 people.



power drill is set on a low torque setting.

• To reduce the likelihood of damaging your product please ensure that your power drill is set on a low torque setting.

• This is the item with " Maximum loading: 50 kgs", please do not put the weight heavier than 50kgs.

## Care and maintenance

• Only clean using a damp cloth and mild detergent, do not use bleach or abrasive cleaners.

• From time to time check that there are no loose screws on this unit.

• This product should not be discarded with household waste. Take to your local authority waste disposal centre.

## Handy Hints

• Assemble all parts and bolts loosely during assembly, only once the product is complete should you fully tighten the bolts

• Regularly check and ensure that all bolts and fittings are tightened properly.

1

## Assembly Instructions

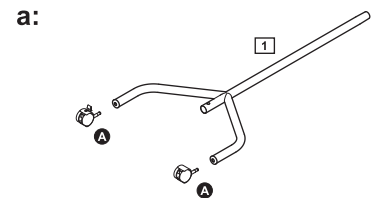
### Step 1

**Note:** It is recommended that two people work together for easier assembly.

**a:** Insert Caster **A** into Leg tube **1**.

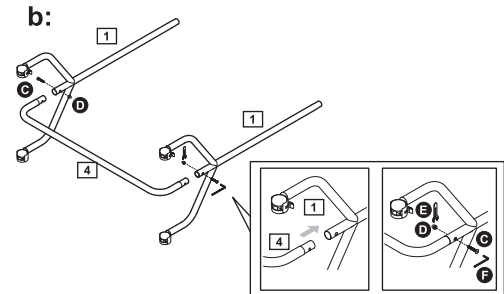
Repeat Step a: assemble other Leg tube **1** with Caster **A**.

**Note:** Please use **E** Spanner to tighten castors.



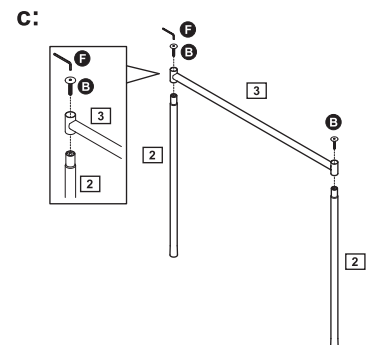
**b:** Insert Bottom tube **4** into Leg tube **1**, align both holes on Bottom tube **4** and Leg tube **1**, lock by Screw **C** and Nut **D**, then tighten by Allen key **F** and Spanner **E**.

Repeat Step b: assemble other side of Leg tube **1** with Bottom tube **4**.



**c:** Insert Side tube **2** into Hanging rail **3**, lock by Flat head screw **B**, then tighten by Allen key **F**.

Repeat Step c: assemble other Side tube **2** with Hanging rail **3**.



2

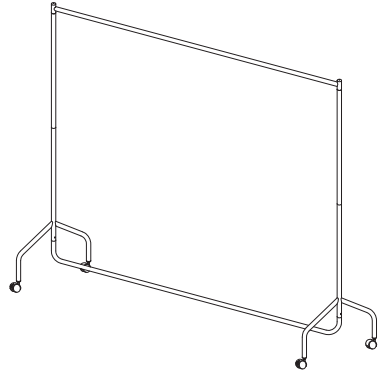
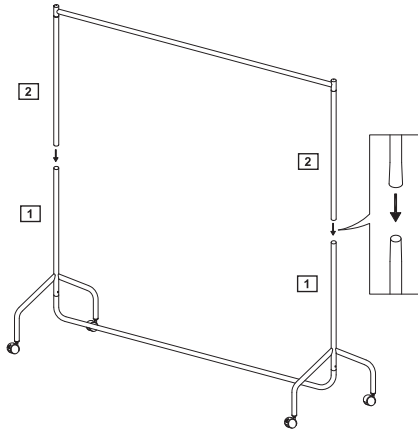
3

# Assembly Instructions

## Step 2

**Note:** It is recommended that two people work together for easier assembly.

Insert side tube into **2**  
Leg tube **1**.



Assembly is complete.

If you need help or have damaged or missing parts, call the **Customer Helpline:**  
**Argos = 0345 640 0800**