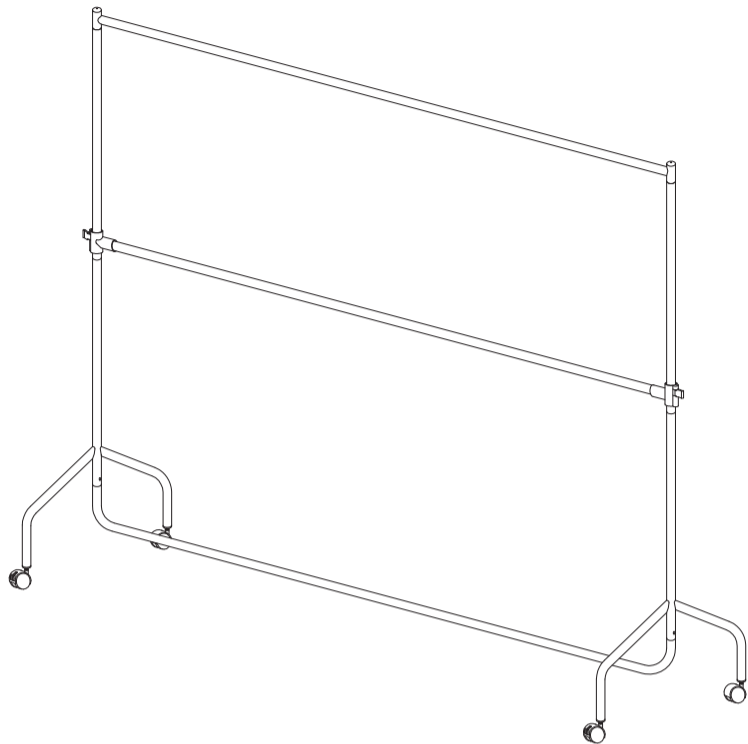


AH 2 TIER HD CLOTHES RAIL 4 FT WIDE BLACK

Assembly Instructions - Please keep for future reference

731/9907



Dimensions

Width - 120cm
Depth - 44cm
Height - 167cm

Important - Please read these instructions fully before starting assembly

If you need help or have damaged or missing parts, call the **Customer Helpline: Argos = 0345 640 0800**

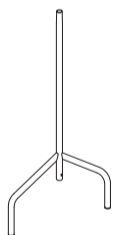
Issue - 1 14/5/2018

Components - Parts

If you have damaged or missing components, call the **Customer Helpline: Argos = 0345 640 0800**

Please check you have all the panels listed below

1 Leg tube x 2



2 Bottom Tube x 1



3 Side Tube x 2



4 Top Tube x 1



5 Center Tube x 1



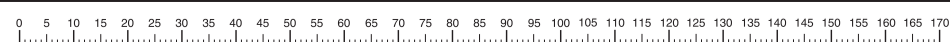
Components - Fittings

Please check you have all the fittings listed below

Note: The quantities below are the correct amount to complete the assembly. In some cases more fittings may be supplied than are required.

A Nut x 2		B Screw x 2		C Flat Head Screw x 2	
D Plastic Clip x 2		E Regular Castor x 2		F Castor with Stopper x 2	
G Allen Key x 1		H Spanner x 1			

Ruler - Use this ruler to help correctly identify the screws



Safety and Care Advice

Important - Please read these instructions fully before starting assembly

- Check you have all the components and tools listed on the following pages.
- Remove all fittings from the plastic bags and separate them into their groups.
- Keep children and animals away from the work area, small parts could choke if swallowed.
- Make sure you have enough space to layout the parts before starting.

- During assembly do not stand or put weight on the product, this could cause damage.
- Assemble the item as close to its final position (in the same room) as possible.
- Assemble on a soft level surface to avoid damaging the unit or your floor.
- Parts of the assembly will be easier with 2 people.



• To reduce the likelihood of damaging your product please ensure that your power drill is set on a low torque setting.

• This is the item with "Maximum loading: 50 kgs", please do not put the weight heavier than 50kgs.

Care and maintenance

- Only clean using a damp cloth and mild detergent, do not use bleach or abrasive cleaners.

- From time to time check that there are no loose screws on this unit.

• This product should not be discarded with household waste. Take to your local authority waste disposal centre.

Handy Hints

- Assemble all parts and bolts loosely during assembly, only once the product is complete should you fully tighten the bolts

- Regularly check and ensure that all bolts and fittings are tightend properly.

Note: If required the next page can be cut out and used as reference throughout the assembly. Keep this page with these instructions for future reference.

1

Assembly Instructions

Step 1

Note: It is recommended that two people work together for easier assembly.

a: Insert Castor **F** & **E** into Leg tube **1**.

Repeat Step **a:** assemble other Leg tube **1** with Castor **E** & **F**.

Note: Please use **H** Spanner to tighten castors.

b: Insert Bottom tube **2** into Leg tube **1**, align both holes on Bottom tube **2** and Leg tube **1**, lock by Screw **B** and Nut **A**, then tighten by Allen key **G** and Spanner **H**.

Repeat Step **b:** assemble other side of Leg tube **1** with Bottom tube **2**.

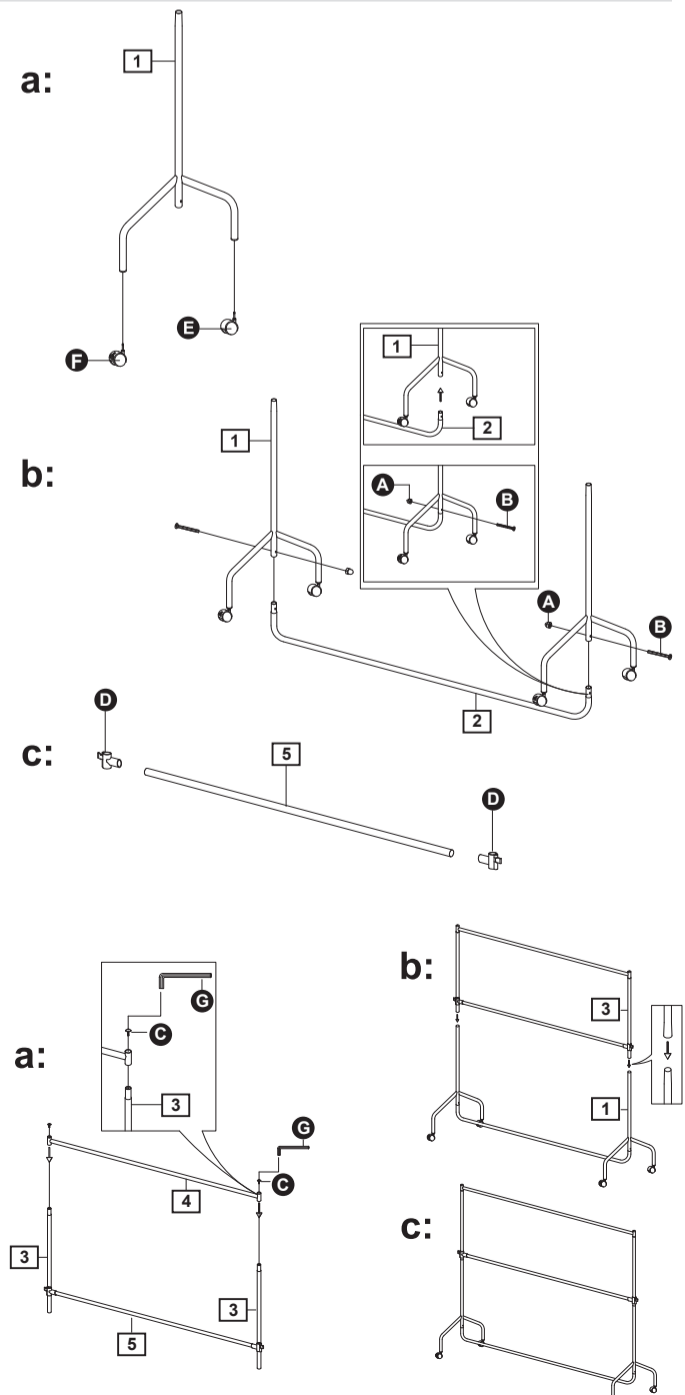
c: Connect Plastic Clip **D** to Center Tube **5**.

Step 2

a: Insert Center Tube **5** into Side Tube **3** from the top of Side Tube **3**, and connect Top Tube **4** to Side Tube **3**, lock by Flat Head Screw **C** then tighten by Allen Key **G**.

b: Insert Side Tube **3** into Leg Tube **1**.

c: Assembly is complete.



2

3