

HM White Console 2 Drawer Shelf

Assembly Instructions – Please keep for future reference

760/9253



Dimensions

Width - 80cm

Depth - 34cm

Height - 75cm

Important - Please read these instructions fully before starting assembly

If you need help or have damaged or missing parts, call the Customer Helpline: 03456 400800



Safety and care advice

Important - Please read these instructions fully before starting assembly

- Read all instructions before assembling unit. **DO NOT USE THIS UNIT IF THE INSTRUCTIONS CANNOT BE STRICTLY FOLLOWED.**

WARNING

- Failure to follow these warnings and assembly instructions could result in serious injury or death.

- Check you have all the components and tools listed on pages 2 and 3.
- Remove all fittings from the plastic bags and separate them into their groups.
- Keep children and animals away from the work area, small parts could choke if swallowed.
- Make sure you have enough space to layout the parts before starting.
- Do not stand or put weight on the panels, this could cause damage.
- Assemble the unit as close to its final position (in the same room) as possible.

- Assemble on a soft level surface to avoid damaging the unit or your floor.
- **Note:** Only apply the glue once you are sure of the assembly.
- The wall plugs supplied are suitable for solid walls only. It is important that the correct type of fixing is used for your wall, seek professional advice if in doubt.
- Parts of the assembly will be easier with 2 people.
- If using power tools, please follow the safety instructions supplied with the tools.



- We do not recommend the use of power drill/ drivers for inserting screws, as this could damage the unit. Only use hand screwdrivers.
- **Warning:** Before drilling, check the wall for hidden pipes and cables.
- Dispose of all packaging carefully and responsibly.

Glue safety - Take care when using glue, please follow the advice below

Skin contact: Remove contamination by washing with soap and water. This procedure should also be followed prior to eating and drinking.

Eye contact: Rinse immediately with clean water for 15 minutes and seek medical advice.

If swallowed: Seek medical advice immediately. If possible show product information or label to the medical advisor.

Care and maintenance

- Only clean using a damp cloth and mild detergent, do not use bleach or abrasive cleaners.

- From time to time check that there are no loose screws on this unit.

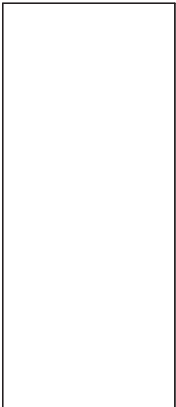
- This product should not be discarded with household waste. Take to your local authority waste disposal centre.

Note: if required the next page can be cut out and used as a reference throughout the assembly. Keep this page with these instructions for future reference.

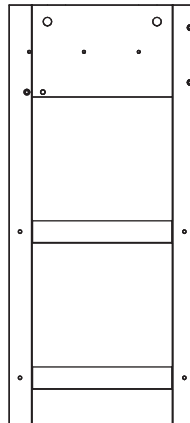
Components - Panels

If you have damaged or missing components, call the Customer Helpline: 03456 400800

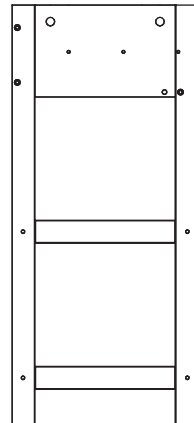
Please check you have all the panels listed below



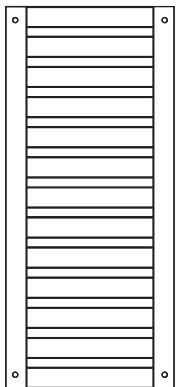
1 Top panel



2 Left side panel



3 Right side panel



4 Shelf x 2



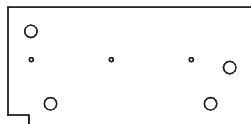
5 Back panel



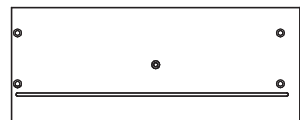
6 Front rail



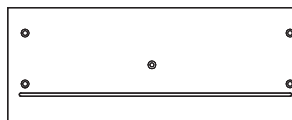
7 Bottom rail



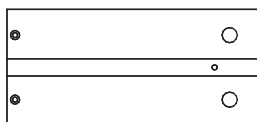
8 Clapboard panel



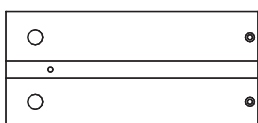
10 Right drawer front



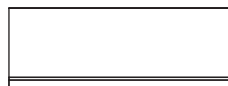
9 Left drawer front



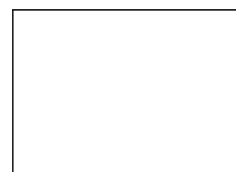
11 Drawer left side x 2



12 Drawer right side x 2



13 Drawer back x 2

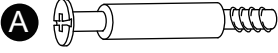




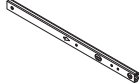

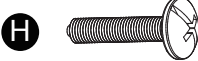
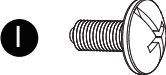


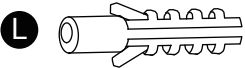




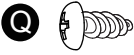




14 Drawer bottom x 2

Components - Fittings

Please check you have all the fittings listed below

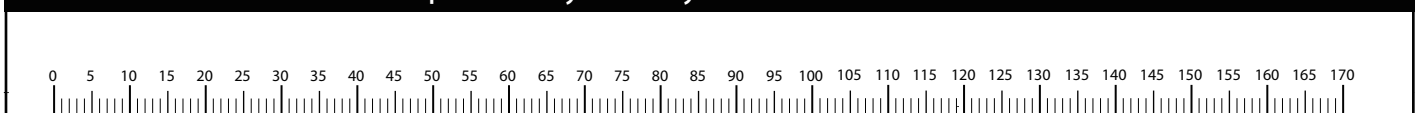
Note: The quantities below are the correct amount to complete the assembly. In some cases more

 <p>A Locking Pin x 24</p>	 <p>B Locking Nut x 24</p>	 <p>C Wooden dowel x 8</p>
 <p>D 50mm Bolt x 8</p>	 <p>E Nut x 8</p>	 <p>F Runner x 4</p>
 <p>G Knob x 2</p>	 <p>H 15mm Bolt x 2</p>	 <p>I 10mm Bolt x 4</p>
 <p>J 10.5mm Screw x 12</p>	 <p>K 35mm Screw x 8</p>	 <p>L Wall plug (for solid walls only) x 1</p>
 <p>M Wall strap x 1</p>	 <p>N 35mm Screw x 1</p>	 <p>O Flat washer x 2</p>
 <p>P Allen wrench x 1</p>	 <p>Q 15mm Screw x 1</p>	 <p>R 25mm Screw x 2</p>
 <p>S Plastic cap x 8</p>		

Tools required



Ruler - Use this ruler to help correctly identify the screws



Assembly Instructions

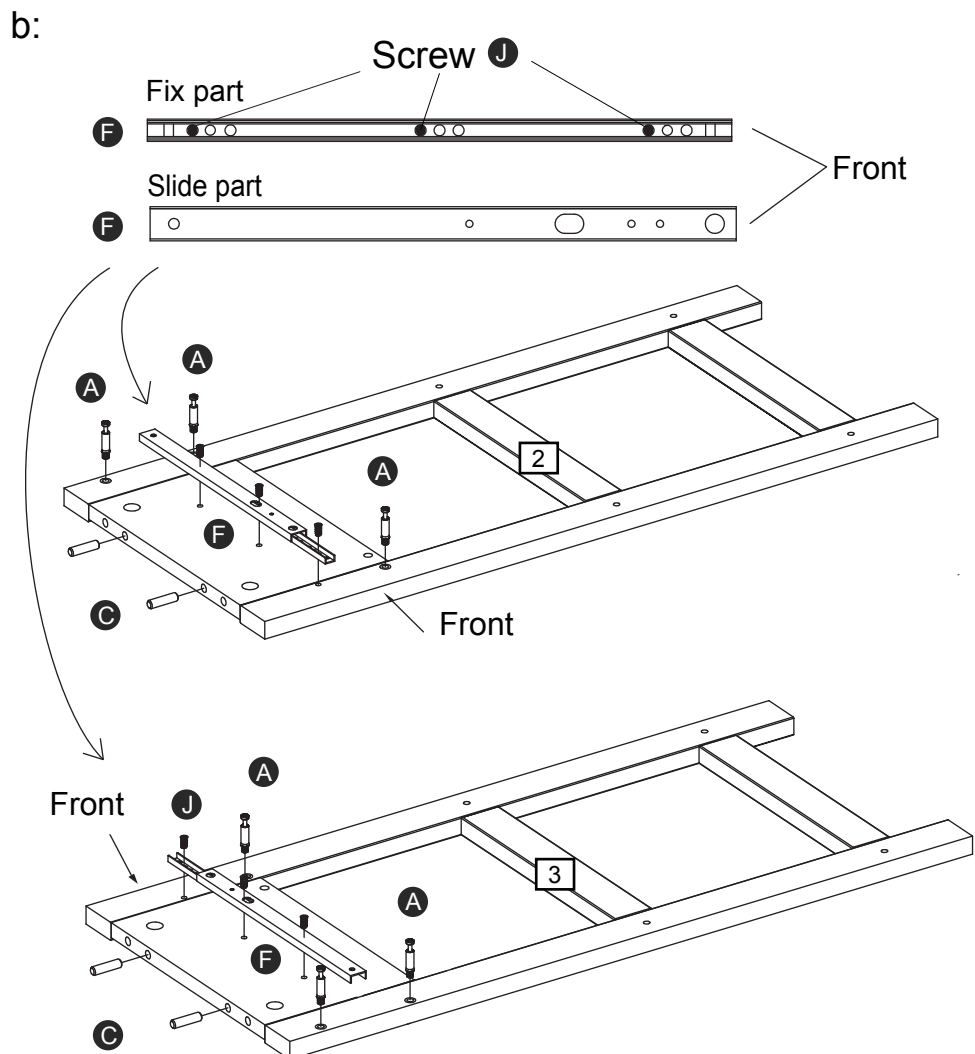
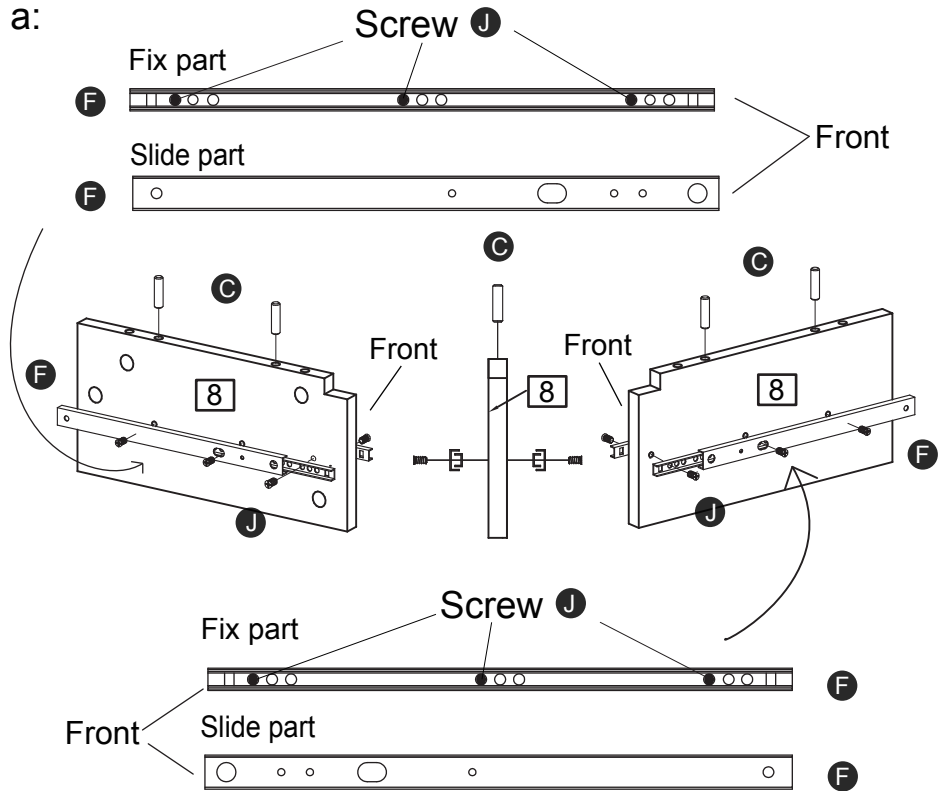
Step 1

Assembling runner

NOTE: It would be useful to ask someone to help you at this stage.

a:
use 6 x screw **J** to fix 2 x runner **F** on clapboard panel **8**.

Insert 2 x wooden dowel **C** into clapboard panel.



b:
Screw 6 x locking pin **A** into llef side panel **2** and right side panel **3**.

use 6 x screw **J** to fix 2 x runner **F** on llef side panel and right side panel.

Insert 4 x wooden dowel **C** into llef side panel and right side panel.

Assembly Instructions

Step 2

Assembling back panel

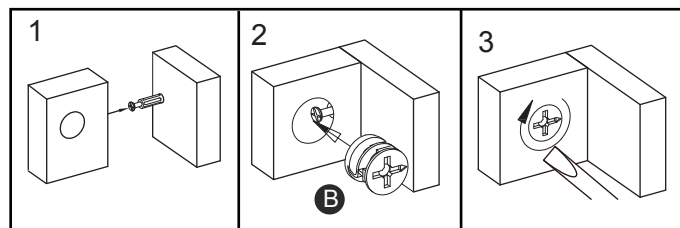
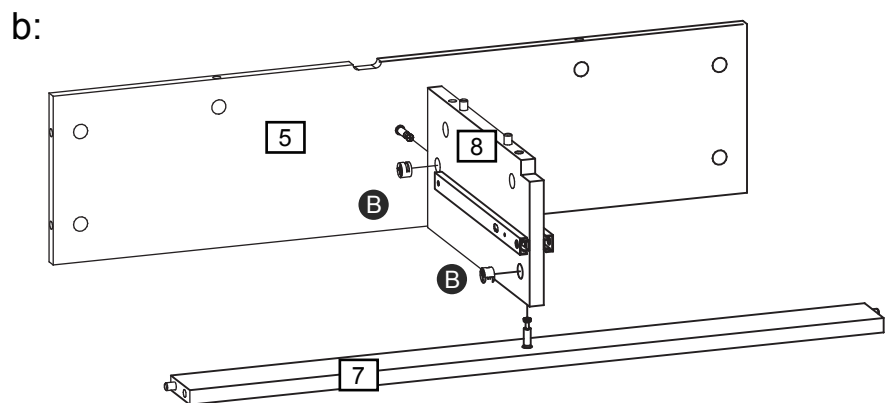
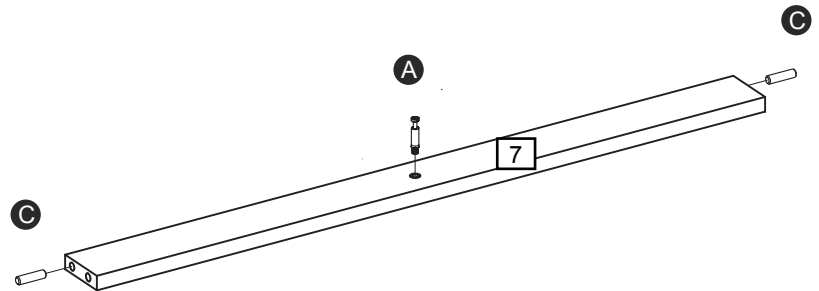
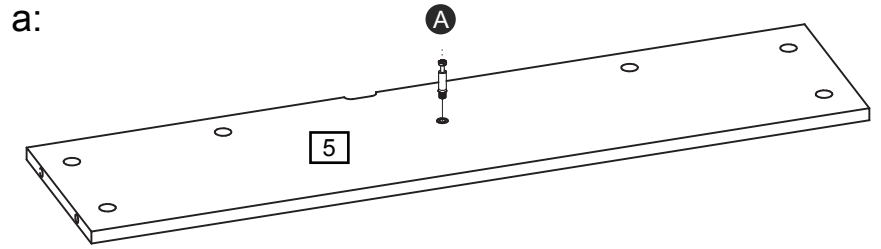
NOTE: It would be useful to ask someone to help you at this stage.

a:
Screw 2 x locking pin **A** into back panel **5** and bottom rail **7**.

Insert 2 x wooden dowel **C** into bottom rail as shown .

b:
Attach back panel **5** and bottom rail **7** onto the clapboard panel as shown.

Insert 2 x locking nut **B** into clapboard panel and tighten the locking nut to secure the unit.



Assembly Instructions

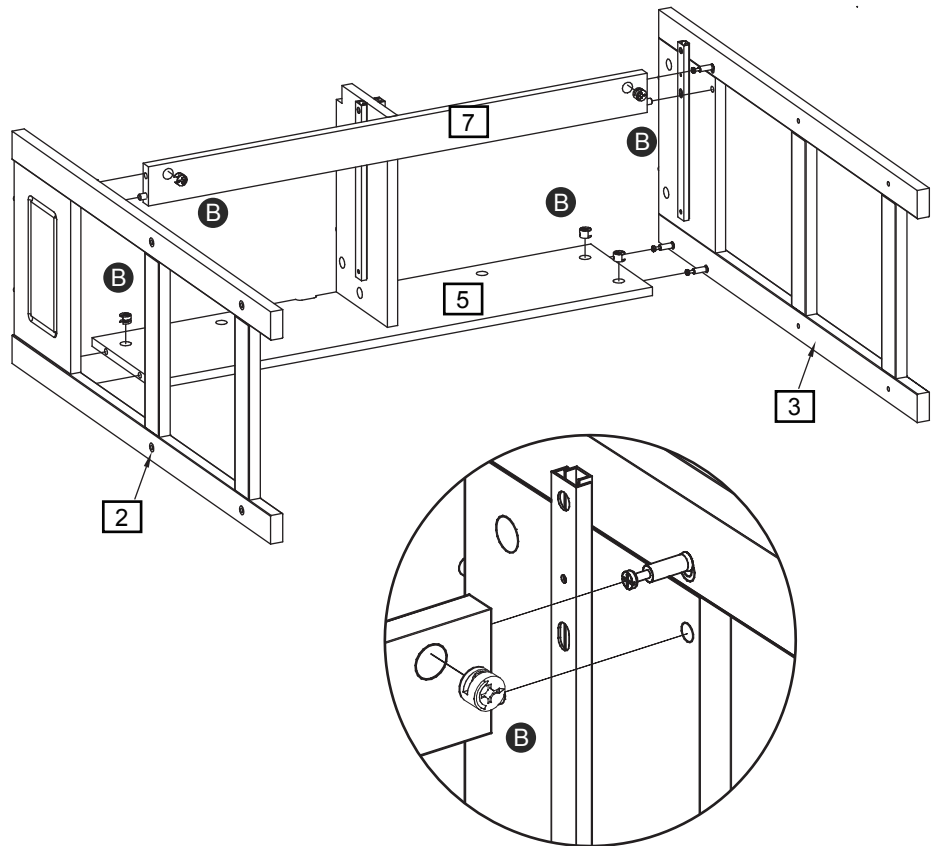
Step 3

Assembling side panel

NOTE: It would be useful to ask someone to help you at this stage.

Attach left side panel **2** and right side panel **3** onto the unit as shown.

Insert 6 x locking nut **B** into bottom rail, back panel and tighten the locking nut to secure the unit.

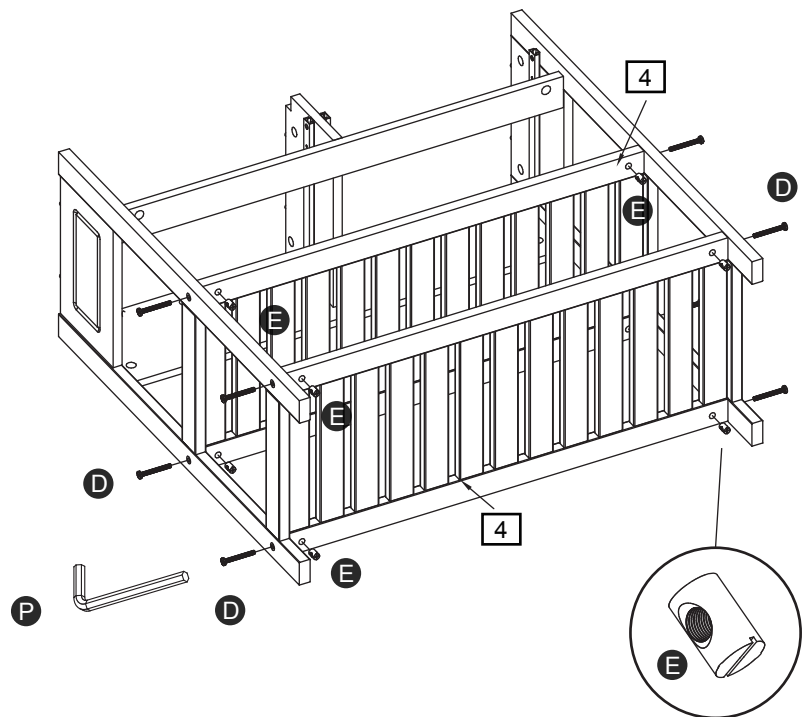


Step 4

Assembling shelf

NOTE: It would be useful to ask someone to help you at this stage.

Attach shelf **4** onto the unit and use 8 x bolt **D** and 8 x nut **E** by the allen key **P** to fit shelf panel to the unit.



Assembly Instructions

Step 5

Assembling top panel

NOTE: It would be useful to ask someone to help you at this stage.

a:

Screw 8 x locking pin **A** into top panel **1**.

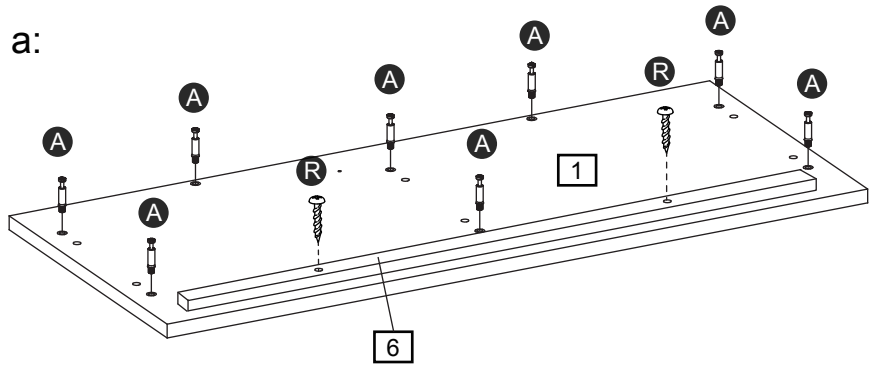
Use 2 x screw **R** to fix front rail **6** to top panel.

b:

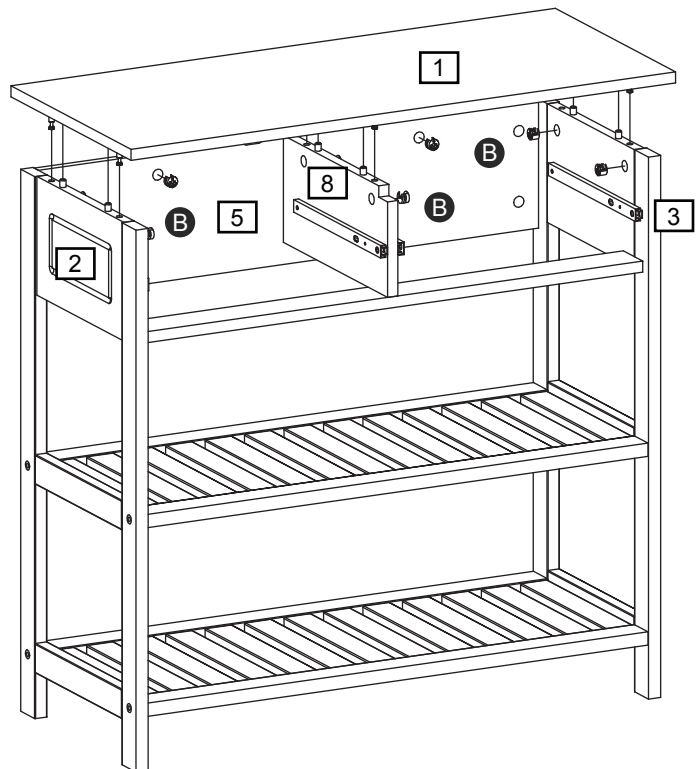
Carefully attach top panel **1** to the unit.

Insert 8 x locking nuts **B** to back panel **5**, side panel **2** **3**, clapboard **8** as shown and lock the nuts by a screwdriver.

a:



b:



Step 6

Fix to the wall

NOTE: It would be useful to ask someone to help you at this stage.

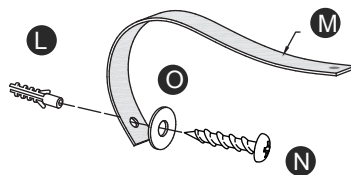
a:

Use 1 x screw **N**, 1 x flat washer **O** and 1 x wall plug **L** to fix strap **M** to the solid wall.

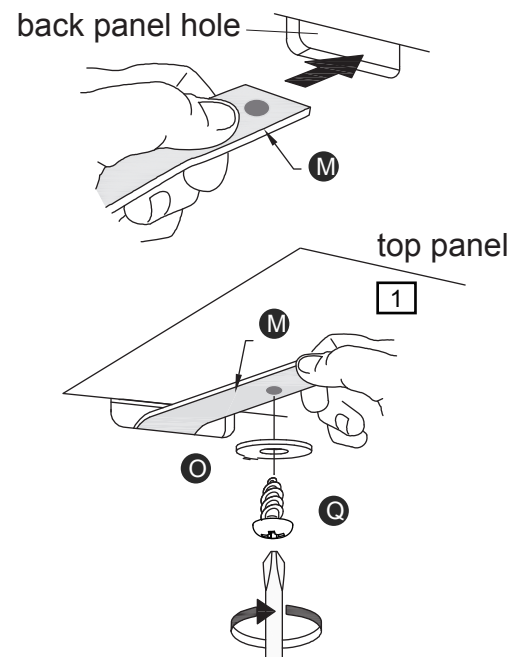
b:

Use 1 x screw **Q** and 1 x flat washer **O** to fix another side of wall strap **M** to the top panel **1**.

a:



b:



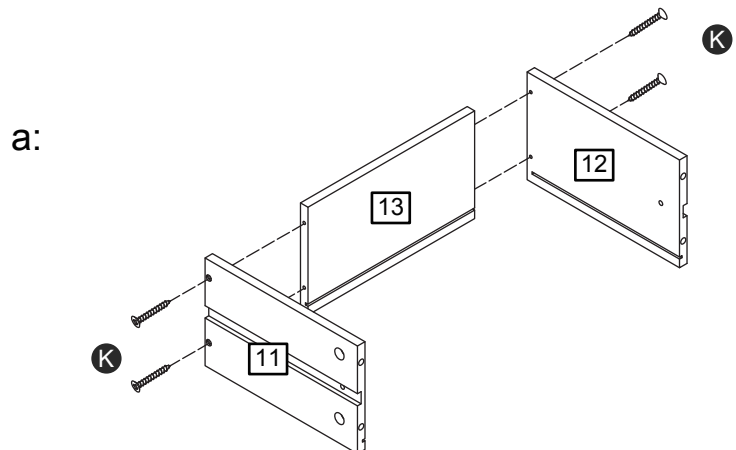
solid wall

Assembly Instructions

Step 7

Assembling drawer

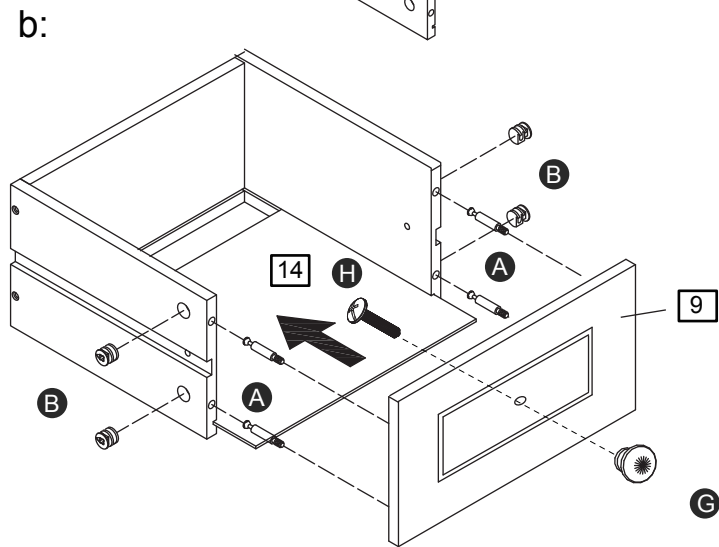
a:
Use 4 x screw **K** to fix drawer side panel **11** **12** onto drawer back panel **13**.



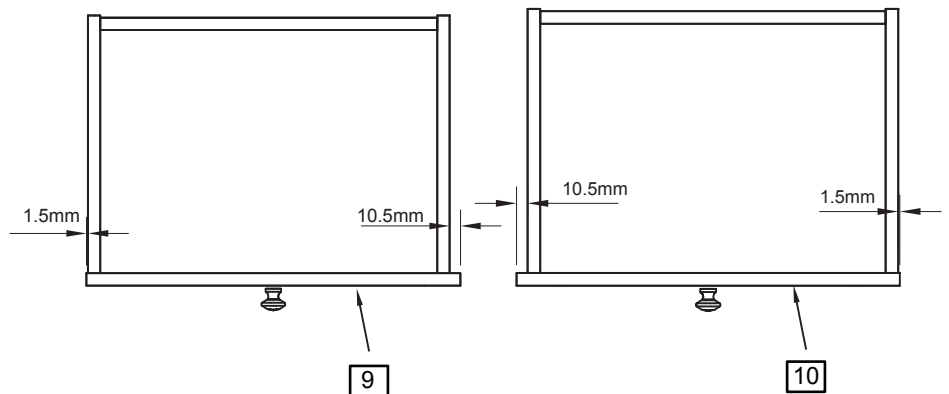
b:
Carefully slide bottom panel **14** into grooves.

Screw 4 x locking pin **A** into left drawer front **9**, insert 4 x locking nut **B** into drawer side panels, tighten it clockwise to secure.

Fix knob **G** to the drawer front panel **9** with bolt **H**.



c:
Repeat above steps to assemble the other drawer **10**.



Assembly Instructions

Step 8

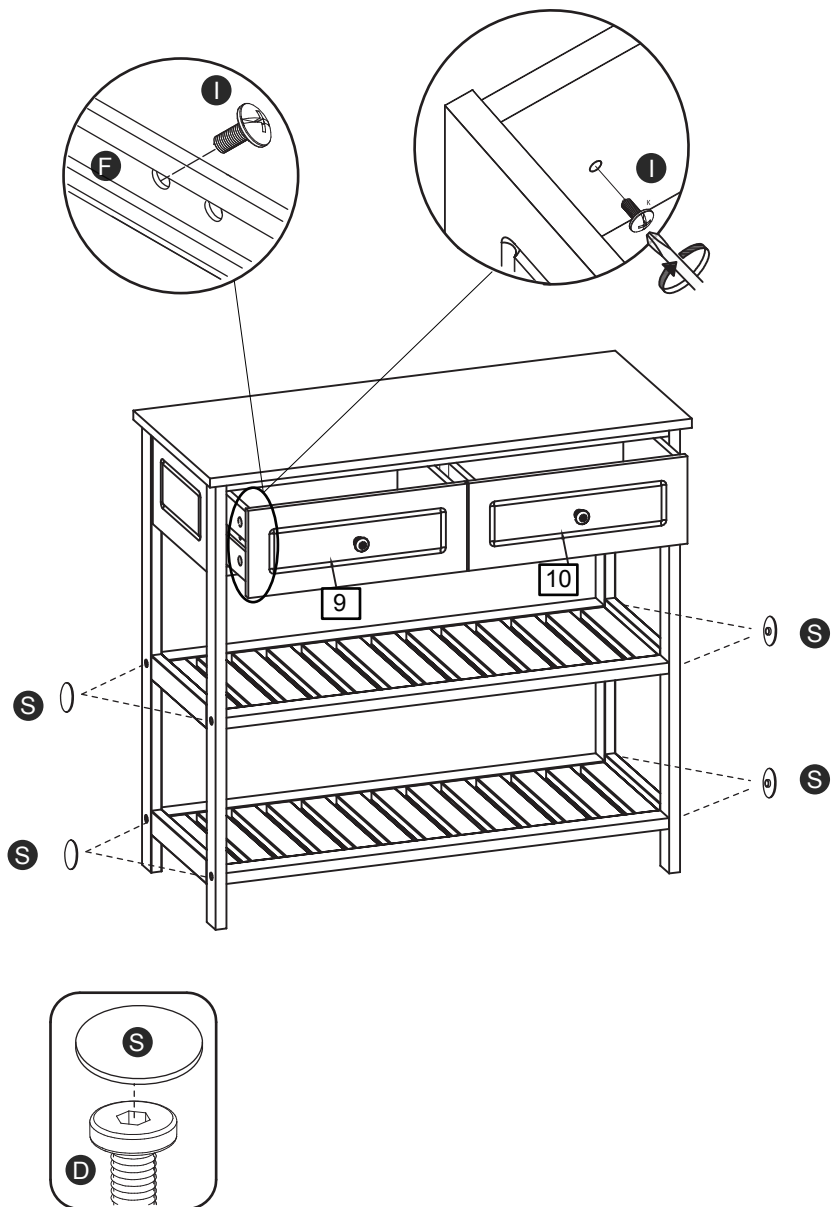
Assembling drawer

NOTE: It would be useful to ask someone to help you at this stage.

Input drawer to the unit as shown.

Screw 4 x bolt ① into holes as shown, try if drawer stopper function well.

Use 8 x plastic cap ⑤ to cover the bolt ④ as shown.



After above assembly, please double check and make sure all screws are firmly fixed before use.

NOTE: If you have damaged or missing components, call the Customer Helpline: 03456 400800
Argos LTD, 489-499 Avebury Boulevard,
Central Milton Keynes, MK9 2NW

A Guide to - Wall Mounting & Fixings

Important note:

If plastic wall plugs are supplied with your product:



- these are only suitable for use in masonry walls.

If you are in any doubt about the correct wall plugs for your wall, seek professional advice.


Failure of the product due to using incorrect fixings is the responsibility of the installer.



Important: When drilling into walls always check that there are no hidden wires or pipes etc.

Make sure that the screws and wall plugs being used are suitable for supporting your unit. Consult a qualified tradesperson if you are unsure.

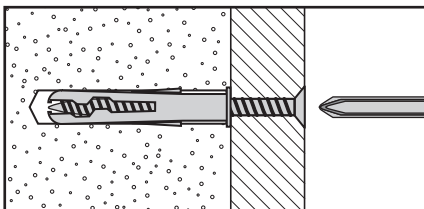
Hints:

- 1: General rule:  Always use a larger screw and wall plug if you are not sure.
- 2: Ensure you use the recommended drill bit to match the wall plug and hole size.
- 3: Ensure you drill the hole horizontally, do not force the drill or enlarge the hole.
- 4: Take extra care when drilling high walls, ceilings and ceramic tiles. Ensure wall plugs are inserted beyond the thickness of the ceramic tiles to avoid the tiles splitting or cracking.
- 5: Ensure wall plugs are well fitted and are a tight fit in the drilled hole.

Types of walls

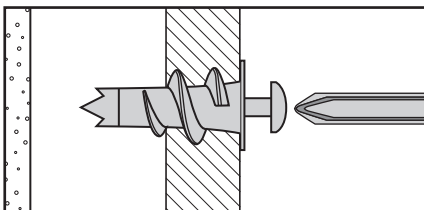
You can use one of the following types of wall plug if your walls are made of brick, breeze block, concrete, stone or wood.

No.1 "General Purpose" wall plug



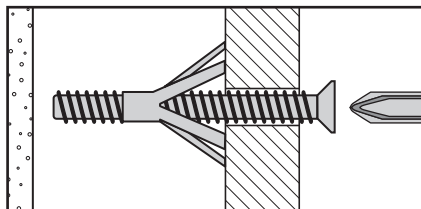
Generally aerated blocks should not be used to support heavy loads, use a specialist fitting in this case. For light loads, general purpose wall plugs can be used.

No.2 "Plasterboard" wall plug



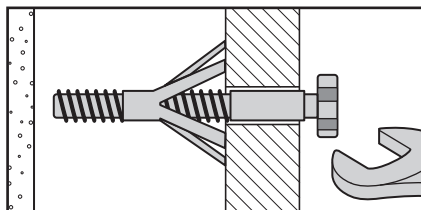
For use when attaching light loads on to plasterboard partitions.

No.3 "Cavity Fixing" wall plug



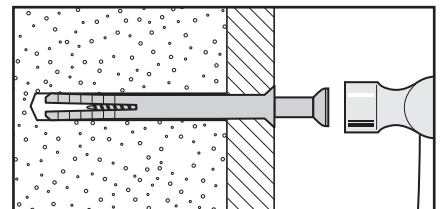
For use with plasterboard partitions or hollow wooden doors.

No.4 "Cavity Fixing-Heavy Duty" wall plug



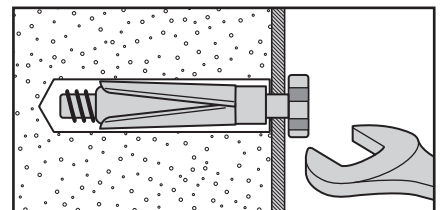
For use when fitting or supporting heavy loads such as shelving, wall cabinets and coat racks.

No.5 "Hammer Fixing" wall plug



For use with walls stuck with plasterboard. The hammer fixing allows it to be fixed to the wall rather than the plasterboard. Always check the fixing is secure to the retaining wall.

No.6 "Shield Anchor" wall plug Heavy loads



For use with heavier loads such as TV & HiFi speakers and satellite dishes etc.



Care & Maintenance

Safety: Always check the fitting and location to ensure your safety in and around the home.

Fitting: From time to time check the fitting to ensure the wall plugs or screws do not become loose.