



ILLUSTRATED

QM481441 Epsom Glass Shelf

CONFIGURATIONS

MATERIAL

Chrome Plated; Die-Cast Zinc Alloy; Grade 201 Stainless Steel

Shelf: 6mm Toughened Clear Glass.

COLOURS

Bright Chrome Plated

WEIGHT

2.9lb (1350g)

PACKAGING

Blister packed

FREQUENTLY USED APPLICATIONS

Residential

Hotels

FEATURES

Durable zinc alloy construction.

High quality chrome plated finish.

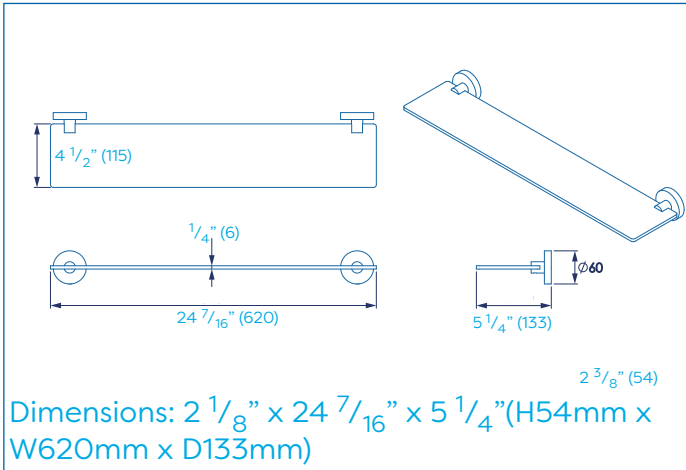
Toughened Glass Shelf.

All fixings included.

CARE AND MAINTENANCE

Clean surfaces with a damp cloth and wipe dry using a soft cloth.

Do not use chemical or abrasive cleaners as these may damage the surface finish.



GUARANTEE

Consumer Statutory Rights Apply

Tel: +44 (0) 1264 365881
Fax: +44 (0) 1264 356437
Email: info@croydex.co.uk
Web: www.croydex.com

Printed material, designs and packaging are protected by copyright and design right.

Date Created:19/07/21 | REV 002