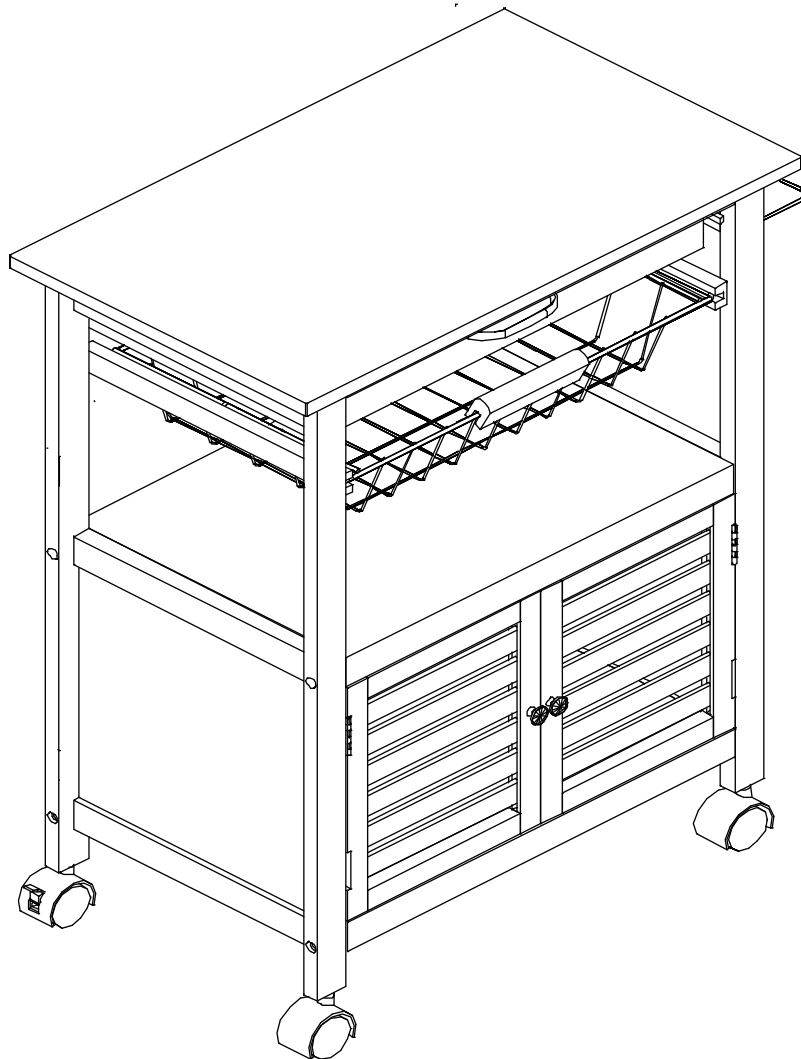




Trolley With Basket




Spare Parts

 www.argos-support.co.uk

 Help@ClickSpares.co.uk

 0370 112 1928

Customer Support

 0345 640 2020

Safety and Care Advice

Product Details

Trolley with basket 816/2830

IMPORTANT, RETAIN FOR FUTURE REFERENCE: READ CAREFULLY.

- Keep children and animals away from the work area, small parts could choke if swallowed.
- Make sure you have enough space to layout the parts before starting.
- This product has been constructed to be used in the domestic environment only and not for commercial purposes.

- Assemble the item as close to its final position (in the same room) as possible.
- Assemble on a soft level surface to avoid damaging the unit or your floor.



- We do not recommend the use of power drill/drivers for inserting screws as this could damage the unit.

Only use hand screwdrivers.

- Parts of the assembly will be easier with 2 people.
- Dispose of all packaging carefully and responsibly.

Care and maintenance

- Only clean using a damp cloth and mild detergent. Do not use abrasive cleaners.
- Use a dry cloth to clean the product, furniture polish is not recommended.

- From time to time check that there are no loose screws, nuts or bolts. If there are please re-tighten.

- This product should not be discarded with household waste. Take to your local authority waste disposal centre.

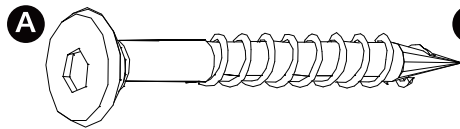
Additional Guidance

- Assemble all parts and bolts loosely during assembly, only once the product is complete should you fully tighten the bolts.
- Regularly check and ensure that all bolts and fittings are tightened properly.

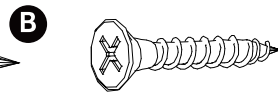
Sainsbury's Argos is a trading name of both: Argos Limited, Registered office: 489-499 Avebury Boulevard, Milton Keynes, United Kingdom, MK9 2NW, registered number: 01081551 (England and Wales); and Sainsbury's Supermarkets Limited, Registered office: 33 Holborn, London, EC1N 2HT, registered number: 03261722 (England and Wales). Both companies are subsidiaries of J Sainsbury's plc.

Fittings

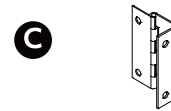
Bag 1



55mm Screw x12



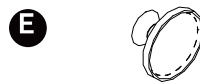
25mm Screw x8



Hinge x4



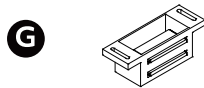
12mm Screw x18



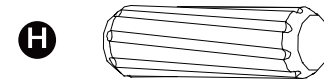
Handle x2



18mm Machine Screw x 2



Magnetic Catch x 1



30mm Dowel x 1



Hex Key x 1

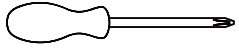


Castor x 2

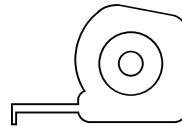


Castor with Brake x2

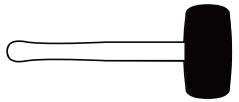
Tools required



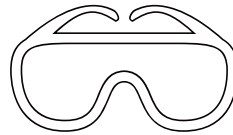
Phillips screwdriver
(small & medium)



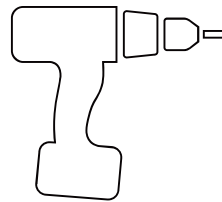
Ruler/tape
measure



Mallet

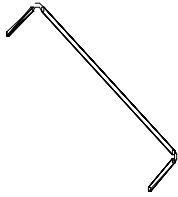


Eye protection
(when using a hammer
or glue)

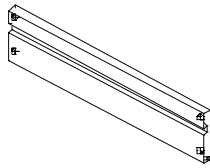


Power drill

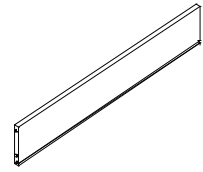
Panels



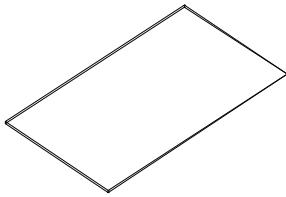
1 Rail x 1
315x100x6mm



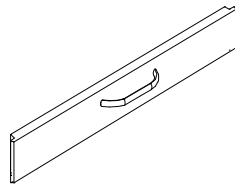
2 Drawer Side Panels x 2
280x70x9mm



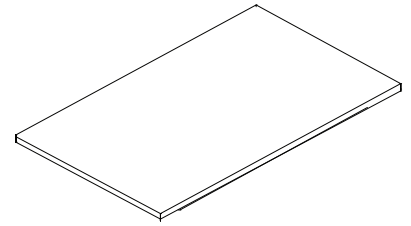
3 Drawer Back Panel x 1
447x70x9mm



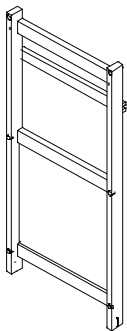
4 Drawer Base Panel x 1
456x270x3mm



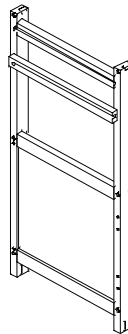
5 Drawer Front x 1
470x70x15mm



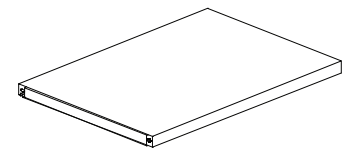
6 Top Panel x 1
600x360x15mm



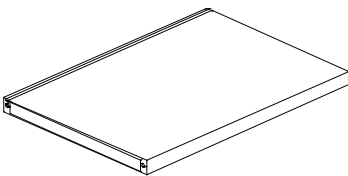
7 Left Side Panel x 1
725x330x35mm



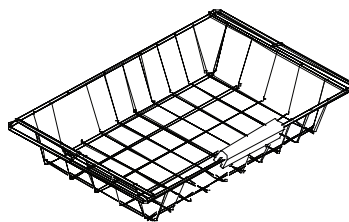
8 Right Side Panel x 1
725x330x35mm



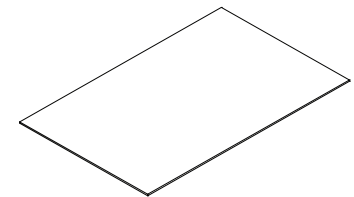
9 Center Panel x 1
470x330x35mm



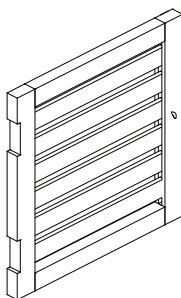
10 Base Panel x 1
470x330x35mm



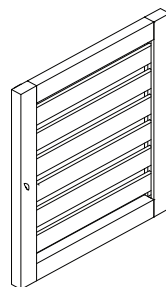
11 Basket x 1



12 Back Panel x 1
480x387x3mm

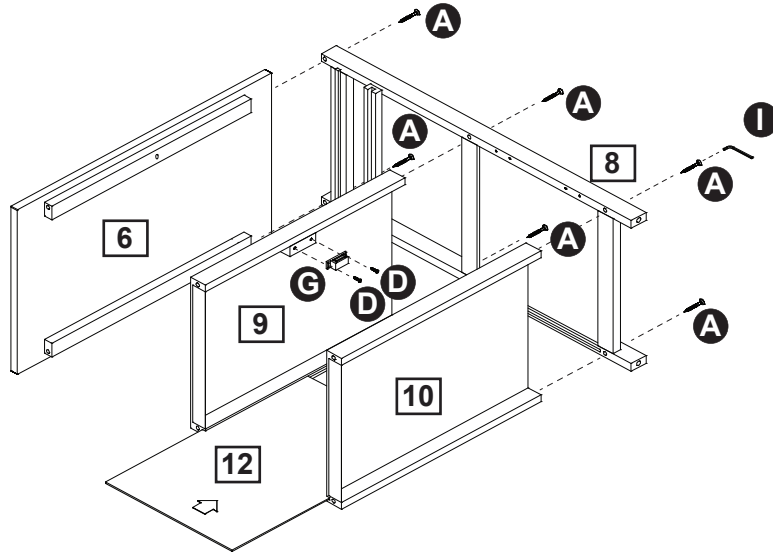
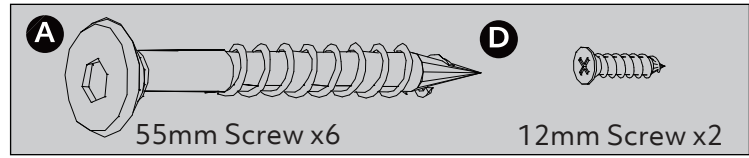
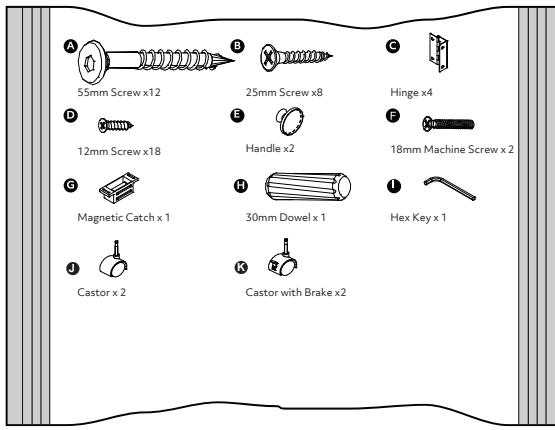


13 Right Hand Door x 1
282x234x15mm

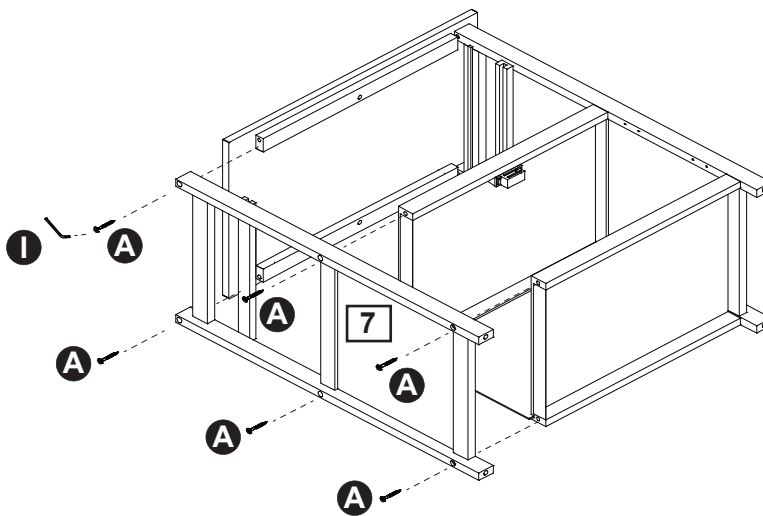
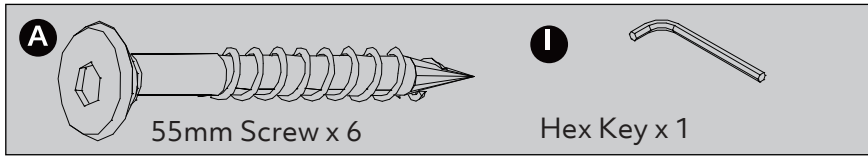


14 Left Hand Door x 1
282x234x15mm

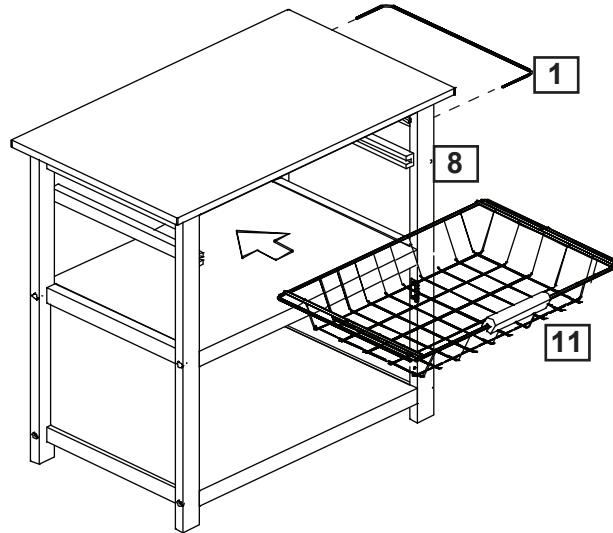
1



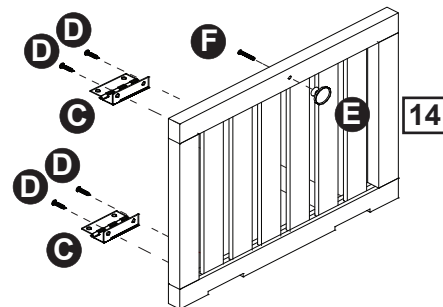
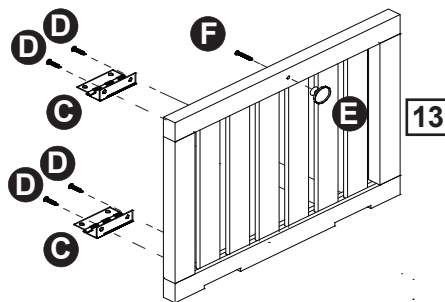
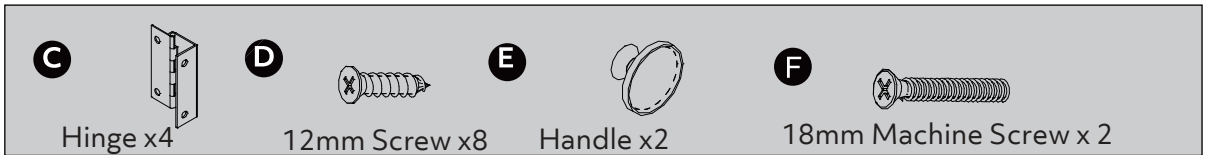
2



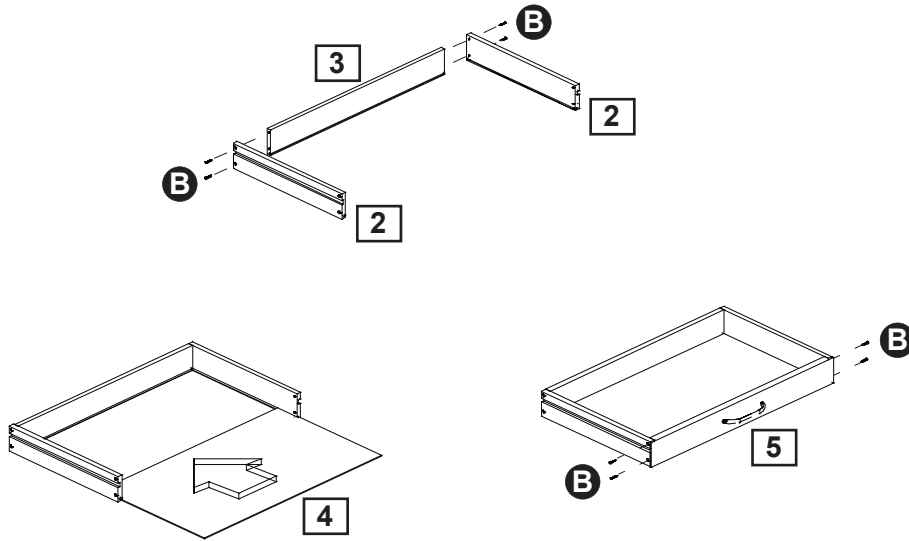
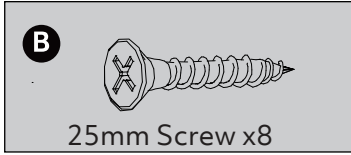
3



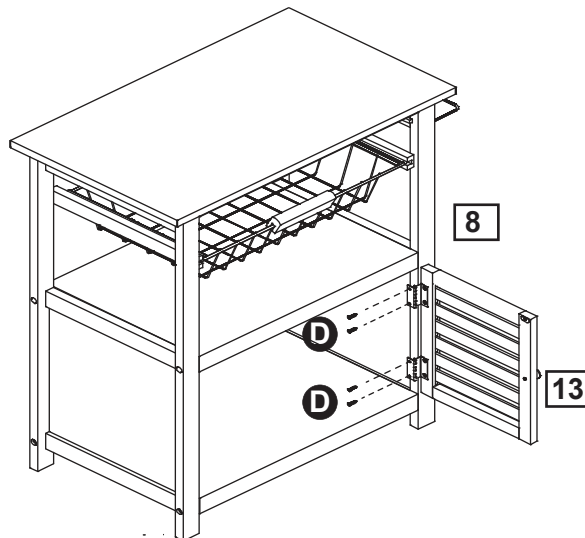
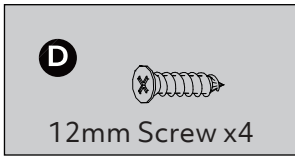
4



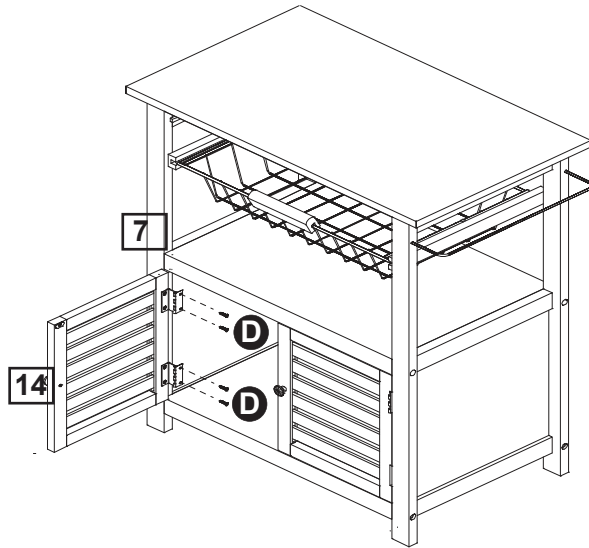
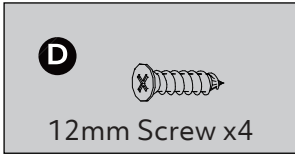
5



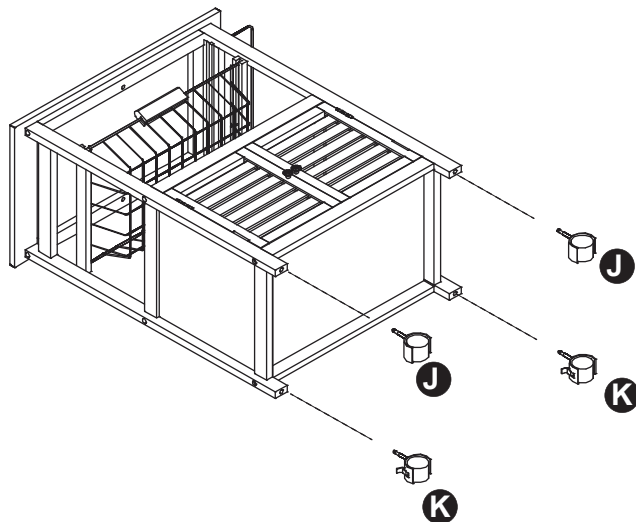
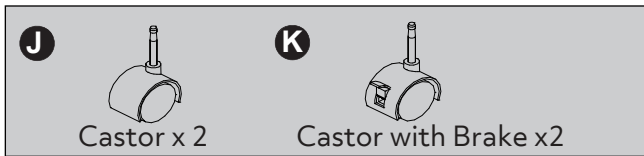
6



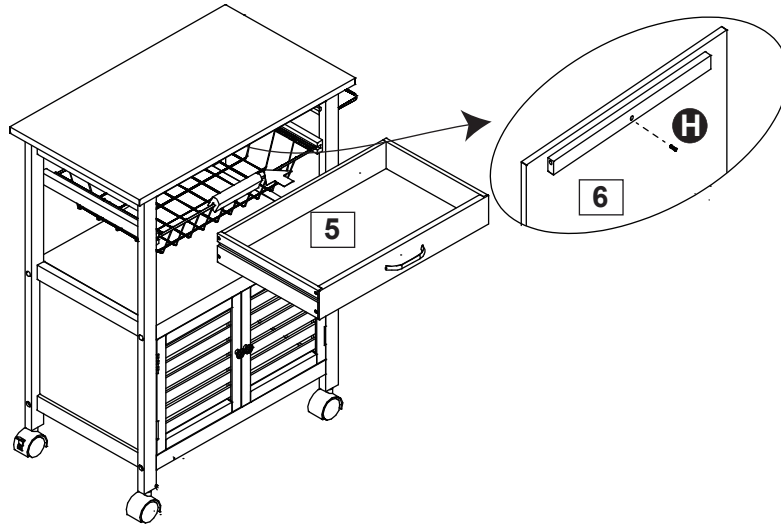
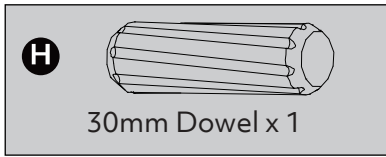
7



8



9



10

