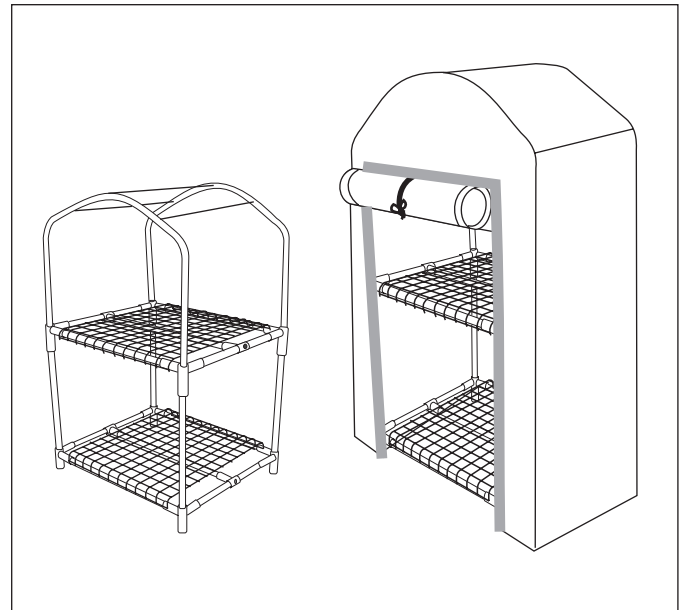


ARGOS

2 Tier Mini Greenhouse 7202007


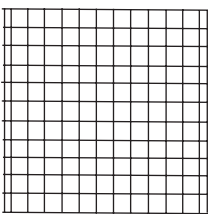
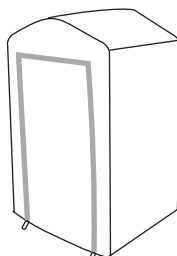


ARGOS
489-499, Avebury Boulevard
Saxon Gate West
Central Milton Keynes
Bucks
MK9 2NW

Issue2 JW 11/05

2 Tier Mini Greenhouse-Assembly Instructions

1. COMPONENT LIST

- ① 2 x Top Frame (Approx. 1500mm)
 - ② 4 x Long Tube (Approx. 680mm)
 - ③ 4 x T-Tube (Approx. 455mm)
 - ④ 4 x Short Tube (Approx. 356mm)
 - ⑤ 2 x Medium Tube (Approx. 670mm)
 - ⑥ 3 x Roof rib connecting wire (Approx. 500mm, dia 3.8mm)
 - ⑦ 8 x Plastic Connector
 - ⑧ 2 x Mesh Grill (Approx. 620 x 500mm)
 - ⑨ 1 x Cover
- 
- 
- 

2. FITTINGS

IMPORTANT

1. Read these instructions carefully and familiarise yourself with the procedure before assembling the unit.
2. Check that you have all the component parts following the list on the back cover and familiarise yourself with each part before proceeding.
3. Take all the fittings out of the plastic bag and separate them into their groups.
4. Ensure you have enough space to lay out all the parts before assembly.
5. To avoid scratching it is recommended that you assemble the unit on a soft level surface.
6. Please unzip front door before adding cover to frame.
7. Not suitable for using heater inside or near this product.

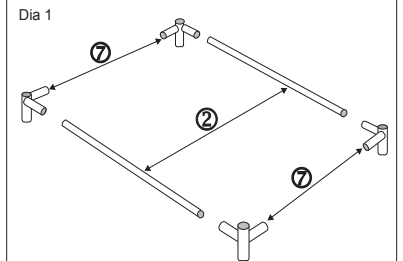
2 Tier Mini Greenhouse-Assembly Instructions

3. ASSEMBLY INSTRUCTIONS

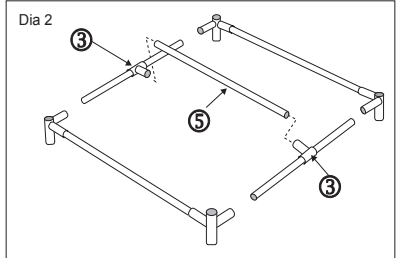
Stage 1- Fitting the frame

NOTE: There are many different kinds of Tubes. Ensure you check before assembly.

1. Insert four plastic connector(7) into the ends of two long Tubes(2). See Dia 1.

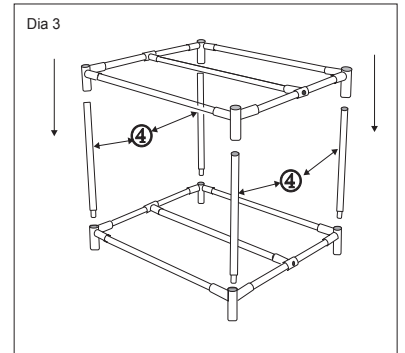


2. Insert two T-Tubes(3) into the end of Medium Tube(5). Then insert the plastic connector(7) into the ends of T-Tubes. See Dia 2.



3. Follow the same method in Dia 1 and Dia 2 to produce another frame.

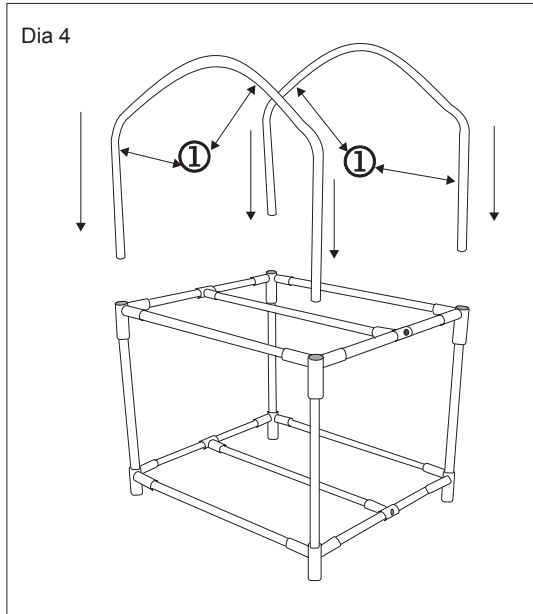
4. Insert four Short Tubes(4) into the plastic connectors(7). See Dia 3.



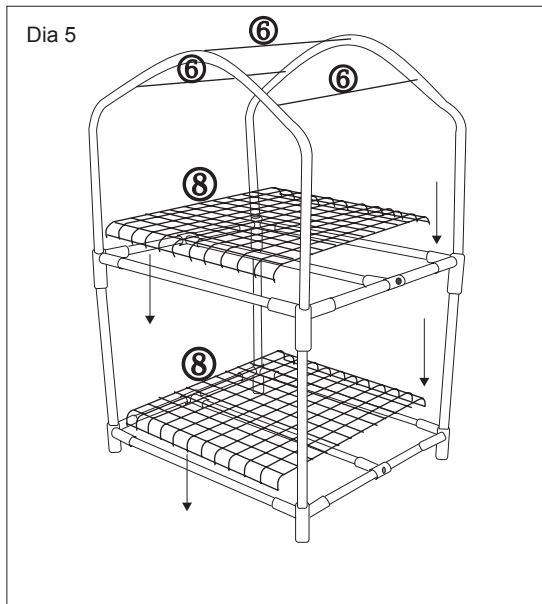
2 Tier Mini Greenhouse-Components

Stage 2 - Fitting Top Frames & Shelf s

1. Insert the Top Frames(1) onto the unit. See Dia 4.



2. Locate the Mesh grill(8) onto the unit. See Dia 5.



3. Fit the Roof rib connecting wires (6) to the Top Frames. See Dia 5

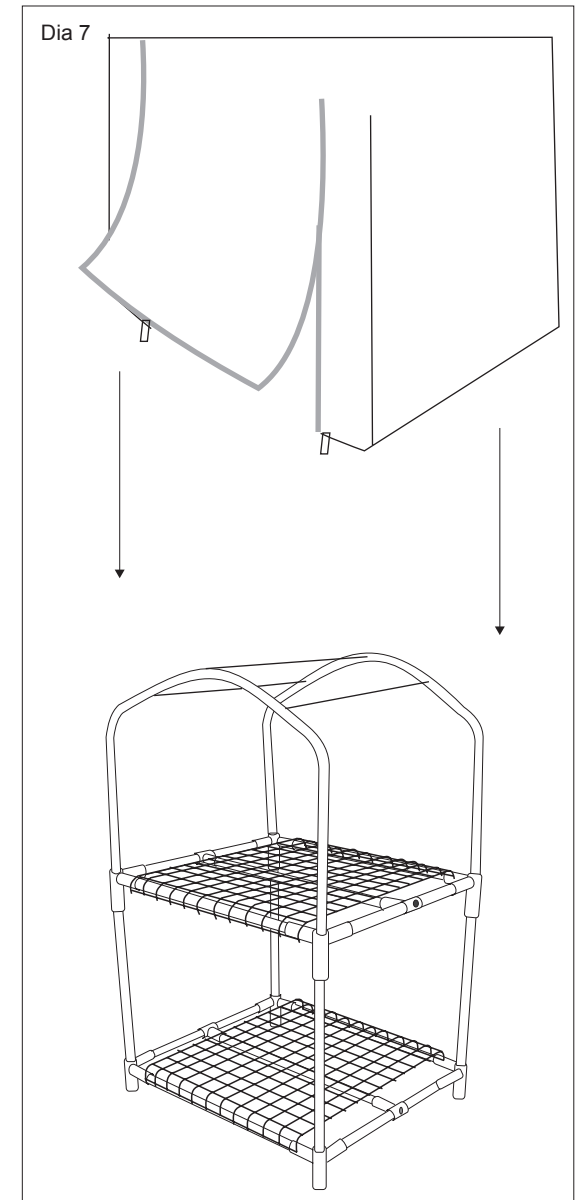
2 Tier Mini Greenhouse - Assembly Instructions

Stage 3 - Fitting the Cover

NOTE: Locate the unit on flat ground free from obstruction. Please unzip before adding cover to frame.

IMPORTANT: The unit is light weight and should be located in a sheltered place away from wind and heavy rain.

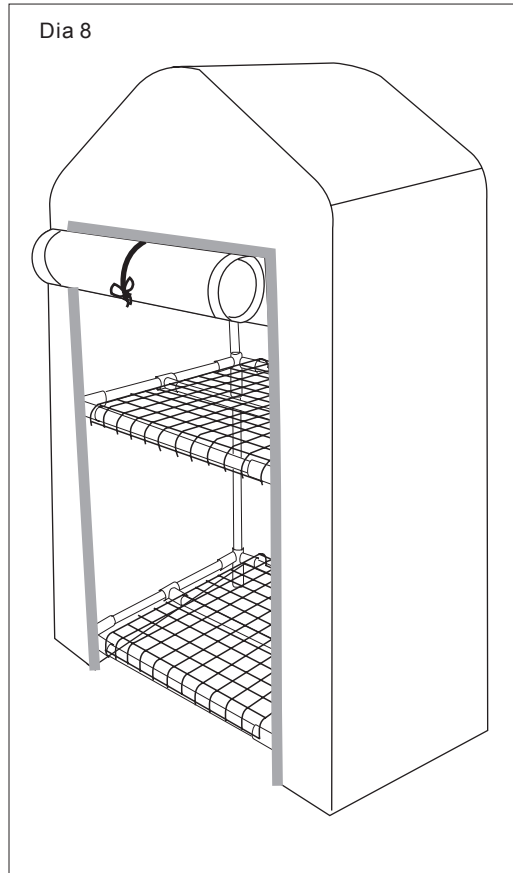
2. Place the Cover onto the unit. See Dia 7.



2 Tier Mini Greenhouse- Assembly Instructions

Stage 4 - Finishing the Unit

1. The front flap can be zipped open and tied up if required (Dia 8). The cover can be attached to the frame by four ties at the base. Then place the unit in the desired location. See Dia 8



Care and Maintenance

Safety

To avoid and risk of suffocation to animals or children dispose of the plastic bags immediately.

Cleaning

As with all surfaces clean with a damp cloth and mild detergent, do not use bleach or abrasive products.