

# AD108341 LUXURY CURVED ROD



## ILLUSTRATED

AD108341 Luxury Curved Rod

## CONFIGURATIONS

### MATERIAL

Rod: Anodised Aluminium

Bracket & Bracket Covers: Copper

Bracket Connection: Aluminium

### COLOURS

Bright Chrome Plated

### WEIGHT

2lb (1.2kg)

### PACKAGING

PET Box

### FREQUENTLY USED APPLICATIONS

Residential

Hotels

### FEATURES

Bright anodised aluminium rod with chrome plated metal wall brackets.

A curved rod which holds the shower curtain away from the user creating extra showering space.

Prevents the curtain from clinging.

The 90 degree return ensures that water is contained in the bath.

Can be fitted within opposite walls for a straight run or on adjacent walls for an L-shaped configuration.

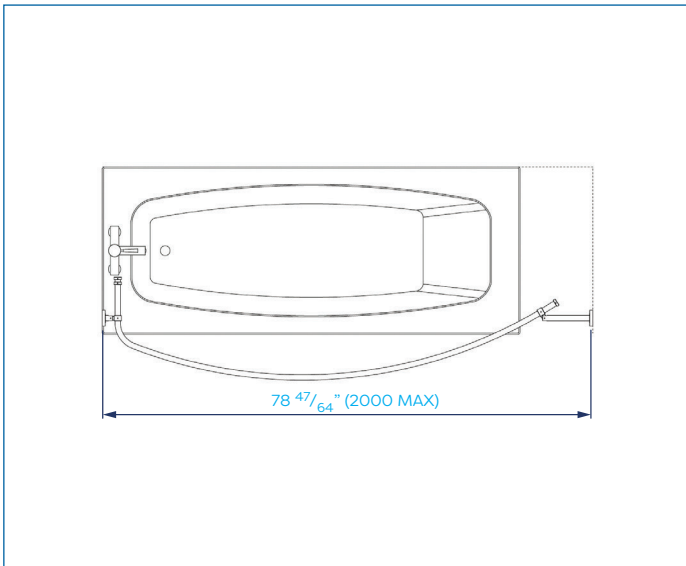
Compact design rod now supplied in two sections.

Maximum length 2000mm.

### CARE AND MAINTENANCE

Clean surfaces with a damp cloth and wipe dry using a soft cloth.

Do not use chemical or abrasive cleaners as these may damage the surface finish.



## GUARANTEE

Consumer Statutory Rights Apply

Tel: +44 (0) 1264 365881  
Fax: +44 (0) 1264 356437  
Email: [info@croydex.co.uk](mailto:info@croydex.co.uk)  
Web: [www.croydex.com](http://www.croydex.com)

Printed material, designs and packaging are protected by copyright and design right.

Date Created:29/06/17 | REV 001