

HOH LEATHER FACED OFFICE CHAIR

Assembly Instructions - Please keep for future reference

717/5433



Dimensions

Width - 66cm

Depth - 67 cm

Height - 108.5~118cm

Important - Please read these instructions fully before starting assembly

If you need help or have damaged or missing parts, call the **customer helpline: 0345 6400800**



Safety and Care Advice

Important - Please read these instructions fully before starting assembly

- Check you have all the components and fittings.
- Remove all fittings from the plastic bags and separate them into their groups.
- Keep children and animals away from the work area, small parts could choke if swallowed.
- Make sure you have enough space to layout the parts before starting.
- Do not stand or put weight on the product during assembly, this could cause damage.
- Assemble the item as close to its final position (in the same room) as possible.
- Assemble on a soft level surface to avoid damaging the unit or your floor.
- Parts of the assembly will be easier with 2 people.



- We do not recommend the use of power drill/drivers **for inserting screws**, as this could damage the unit. only use hand screwdrivers.
- Dispose of all packaging carefully and responsibly.

Care and maintenance

- Only clean using a damp cloth and mild detergent, do not use bleach or abrasive cleaners.
- To avoid any risk of suffocation to animals or children dispose of the plastic bags immediately.
- From time to time check that there are no loose screws on this unit.
- This product should not be discarded with household waste. Take to your local authority waste disposal centre.

Components - Panels

If you have damaged or missing components, call the Customer Helpline: Argos = 0345 6400800

Please check you have all the components listed below

1 5 x Castor



2 1 x Base



3 1 x Gas lift



4 1 x Seat plate



5 1 x Seat cushion



6 1 x Backrest



7 2 x Armrest



Components - Fittings

If you have damaged or missing components, call the Customer Helpline: Argos = 0345 6400800

Please check you have all the fittings listed below

Note: The quantities below are the correct amount to complete the assembly. In some cases more fittings may be supplied than are required.

A 4 x Screw



M6 x 20mm

B 4 x Screw



M8 x 30mm

C 4 x Screw



M8 x 45mm

D 4 x Plastic cover



Tools required



Allen key 1 X M5 30mm/80mm



Allen key 1 X M6 35mm/85mm

0 5 10 15 20 25 30 35 40 45 50 55 60 65 70 75 80 85 90 95 100 105 110 115 120 125 130 135 140 145 150 155 160 165 170

Assembly Instructions

Step 1

Fitting the Base

a: Push all the five Castors **1** into the underside of the Base **2**.

NOTE: Ensure the Casters are fully inserted.

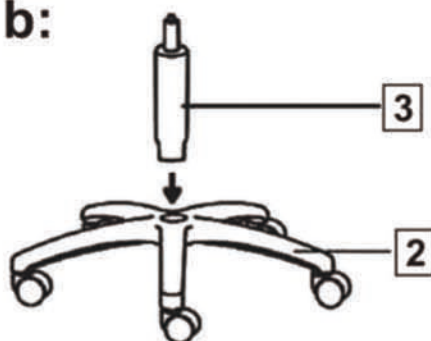
b: Insert the Gas lift **3** into the base.

NOTE: Ensure the Gas lift is fully inserted and well fitted.

a:



b:



Step 2

Fitting the Seat support

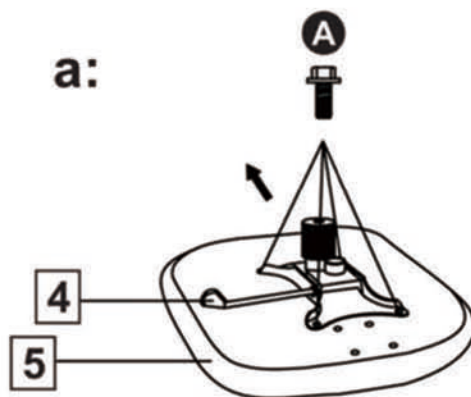
a: Use screws **A** to fix the Seat plate **4** onto the seat cushion **5**.

The front on the seat plate should be same as the front on the seat

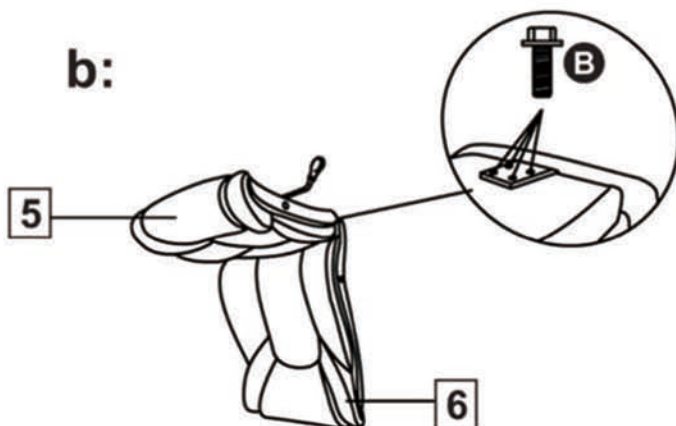
Ensure the seat plate is firmly fitted onto the seat cushion.

b: Use screws **B** to fix Back cushion **6** onto the seat cushion **5**.

a:



b:



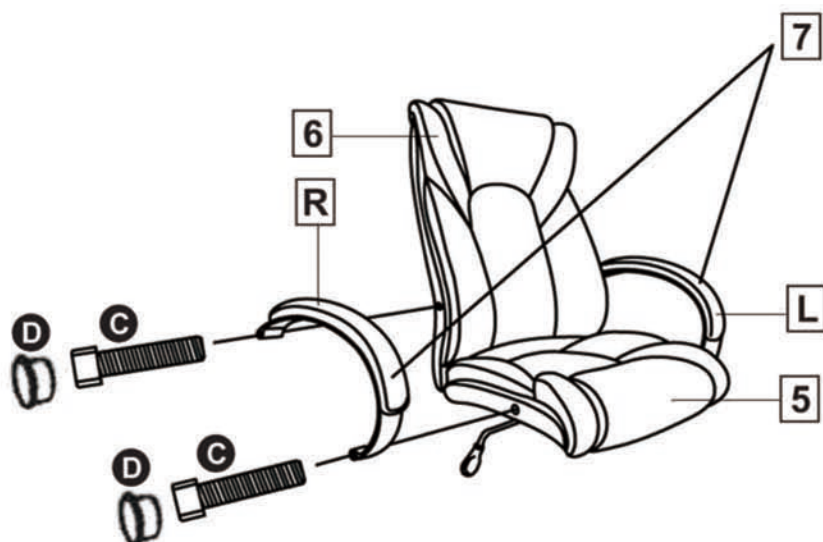
Assembly Instructions

Step 3

Fitting the armrest

NOTE: It would be useful to ask someone to help you at this stage.

Carefully attach the screw **C** to link the armrest **7** with seat cushion **5** and backrest **6**, then put the screw covers **D** on the Screw holes.



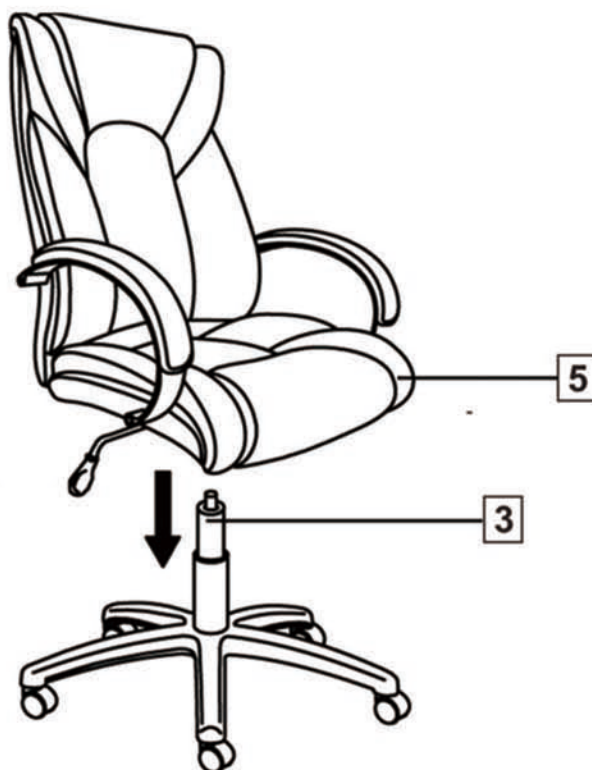
Step 4

Finishing the Unit

Carefully locate seat cushion unit **5** onto the gas lift **3** firmly.

Carefully place the unit in the desired location and sit to tighten the seat after assembling.

NOTE: Make sure all the Bolts are tightly fitted.



NOTE: If you have damaged or missing components, call the **Customer Helpline: 03456 400800**
Argos Limited Group, 489-499 Avebury Boulevard, Central Milton Keynes, MK9 2NW