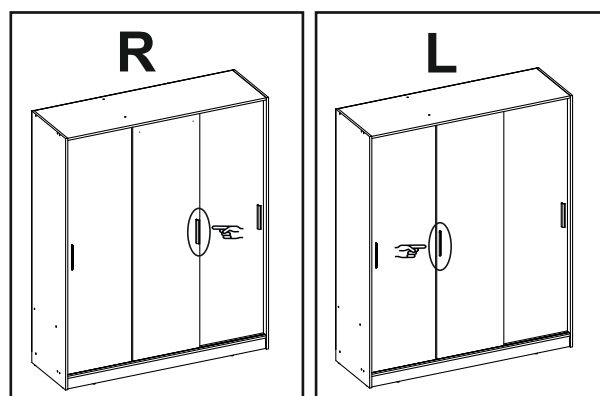
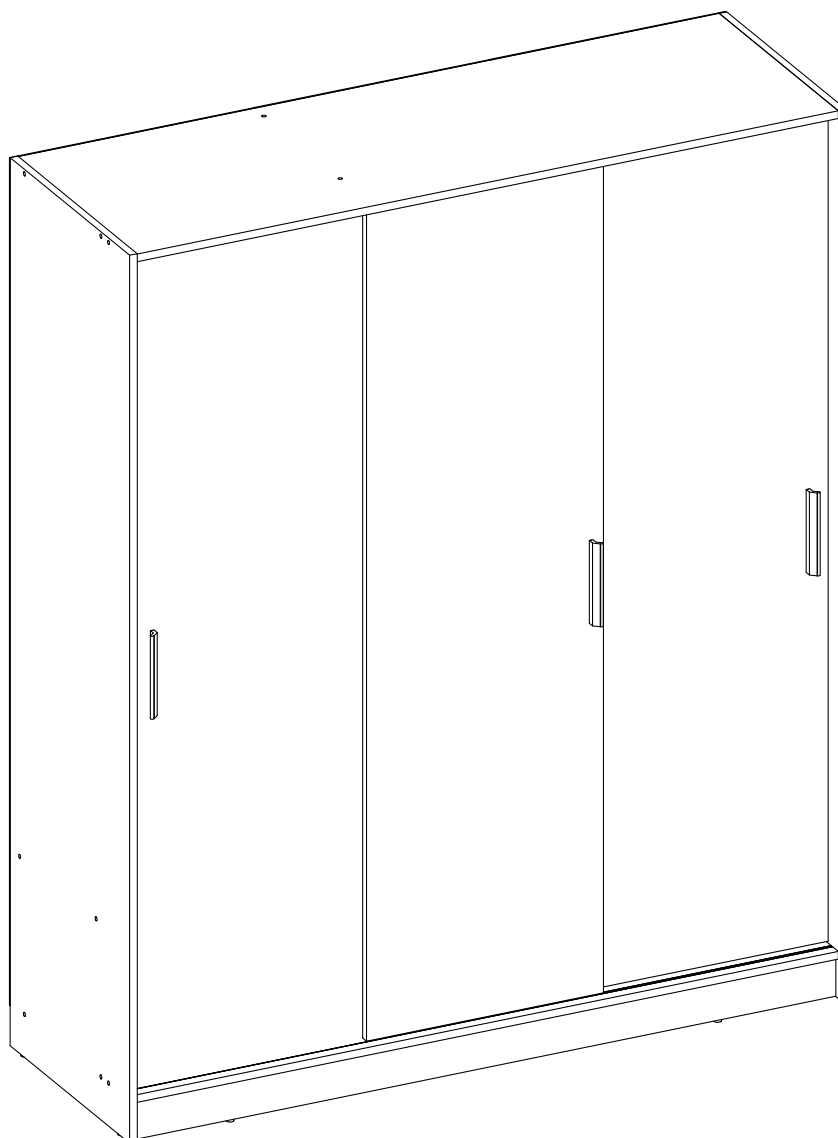



# NOVA 3 Door Sliding Wardrobe




## Spare Parts

 [www.argos-support.co.uk](http://www.argos-support.co.uk)

 [Help@ClickSpares.co.uk](mailto:Help@ClickSpares.co.uk)

 0370 112 192 8

## Customer Support

 0345 640 202 0

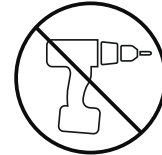


# Safety and Care Advice

---

## IMPORTANT, RETAIN FOR FUTURE REFERENCE: READ CAREFULLY.

- Keep children and animals away from the work area, small parts could choke if swallowed.
- Assemble the item as close to its final position (in the same room) as possible.
- Assemble on a soft level surface to avoid damaging the unit or your floor.
- We do not recommend the use of power drill/drivers for inserting screws as this could damage the unit. Only use hand screwdrivers.
- Parts of the assembly will be easier with 2 people.
- Dispose of all packaging carefully and responsibly.



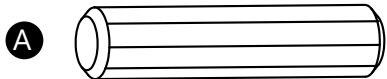
## Care and maintenance

---

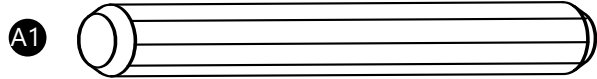
- Only clean using a damp cloth and mild detergent. Do not use abrasive cleaners.
- From time to time check that there are no loose screws, nuts or bolts. If there are please re-tighten.
- This product should not be discarded with household waste. Take to your local authority waste disposal centre.
- Use a dry cloth to clean the product, furniture polish is not recommended.

# Fittings (Shown to scale)

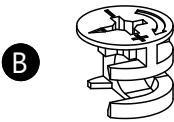
**WARNING!**  
IN ORDER TO PREVENT OVERTURNING  
THIS PRODUCT MUST BE USED WITH  
THE WALL ATTACHMENT DEVICE  
PROVIDED



A 8x35 Wooden Dowel x20



A1 8x60 Wooden Dowel x2



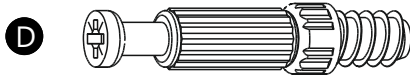
B Locking Cam x2



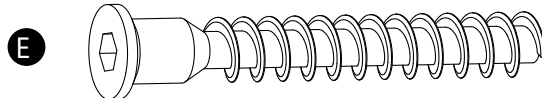
C 16mm Screw x2



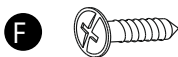
C1 13mm Screw x12



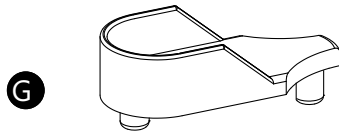
D Cam Pin x2



E 50 mm Assembly Bolt x22



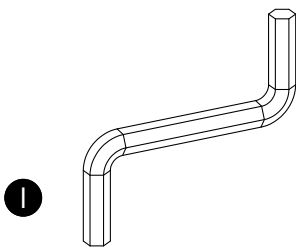
F 13mm Screw x12



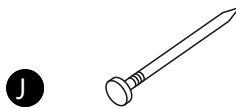
G Hanging Rail Support x4



H Cam cover x2



I Key x1



J Nails x84



K Foot x6

# Hardware

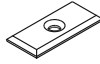
---

L



27mm Screw x6

M



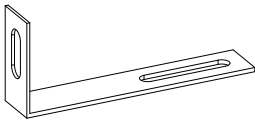
Back Support x11

N



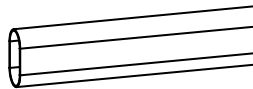
Assembly Bolt Cap x18

O



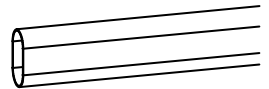
Wall Fixing Bracket x 2

P



Hanging Rail x 1

P1



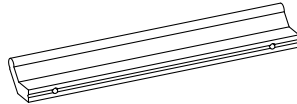
Hanging Rail x 1

Q



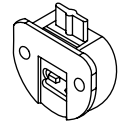
Support Bracket x 2

R



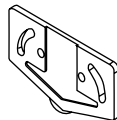
Handle x 3

S



Top Door Bracket x 6

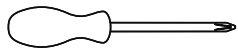
T



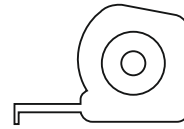
Bottom Door Guide x 6

# Tools that may be required

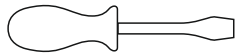
---



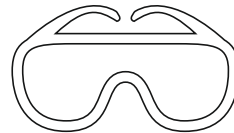
Phillips screwdriver  
(small & medium)



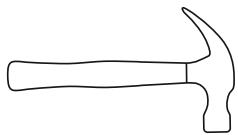
Ruler/tape  
measure



Flat screwdriver  
(small & medium)



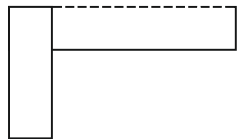
Eye protection  
(when using a  
hammer or glue)



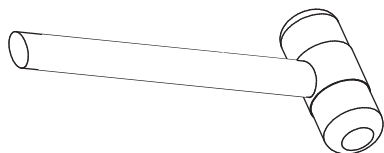
Hammer



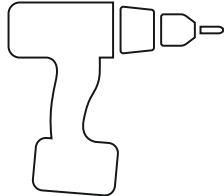
Pencil




Set Square



Rubber Hammer



Power Drill



Drill Bits

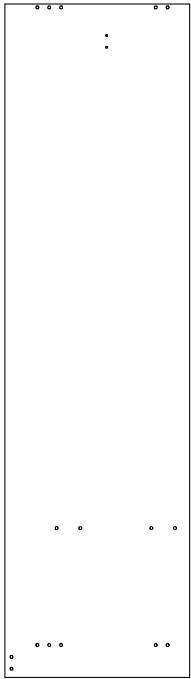
Wall Fixing Only



Spirit Level

Panels may be labelled with the panel identification numbers shown below to assist with assembly. Once assembled the labels can be removed if desired.

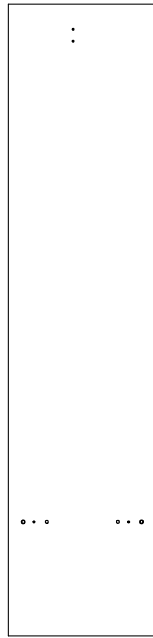
---



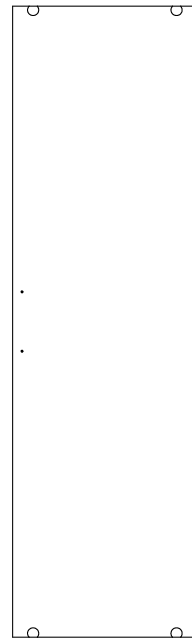
**1** Left Side Panel  
(1820 x 500mm)



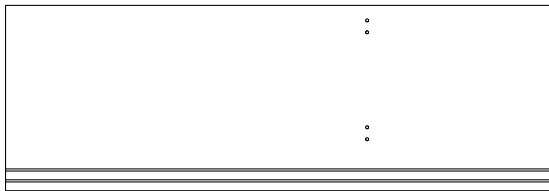
**2** Right Side Panel  
(1820 x 500mm)



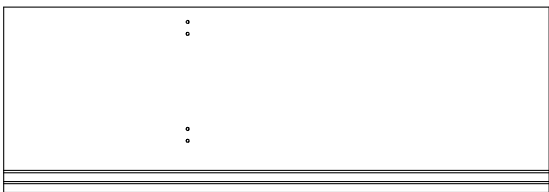
**3** Vertical Partition  
Panel  
(1707 x 400mm)



**9** Door **x3**  
(1699 x 496mm)



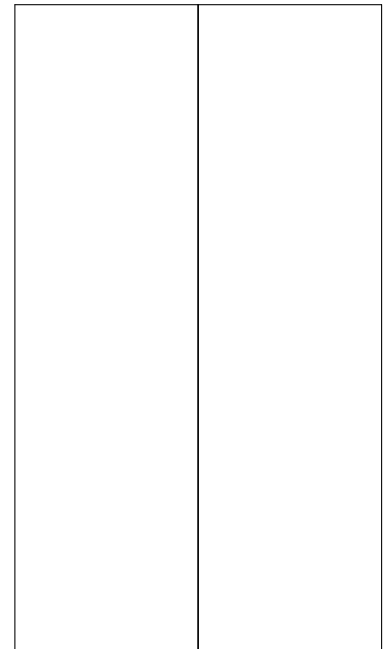
**4** Top Panel (1468 x 499mm)



**5** Bottom Panel (1468 x 499mm)



**10** Left Back Panel  
(1737 x 510mm)



**11** Right Back Panel  
(1737 x 986mm)



**6** Horizontal Shelf  
Panel Left  
(487 x 399mm)



**7** Horizontal Shelf  
Panel Right  
(965 x 399mm)



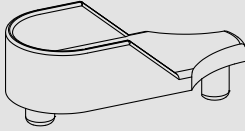
**8** Plinth (1468 x 80mm)

# WARNING!

IN ORDER TO PREVENT OVERTURNING  
THIS PRODUCT MUST BE USED WITH  
THE WALL ATTACHMENT DEVICE  
PROVIDED

# 1

G



Hanging Rail Support x2

C1

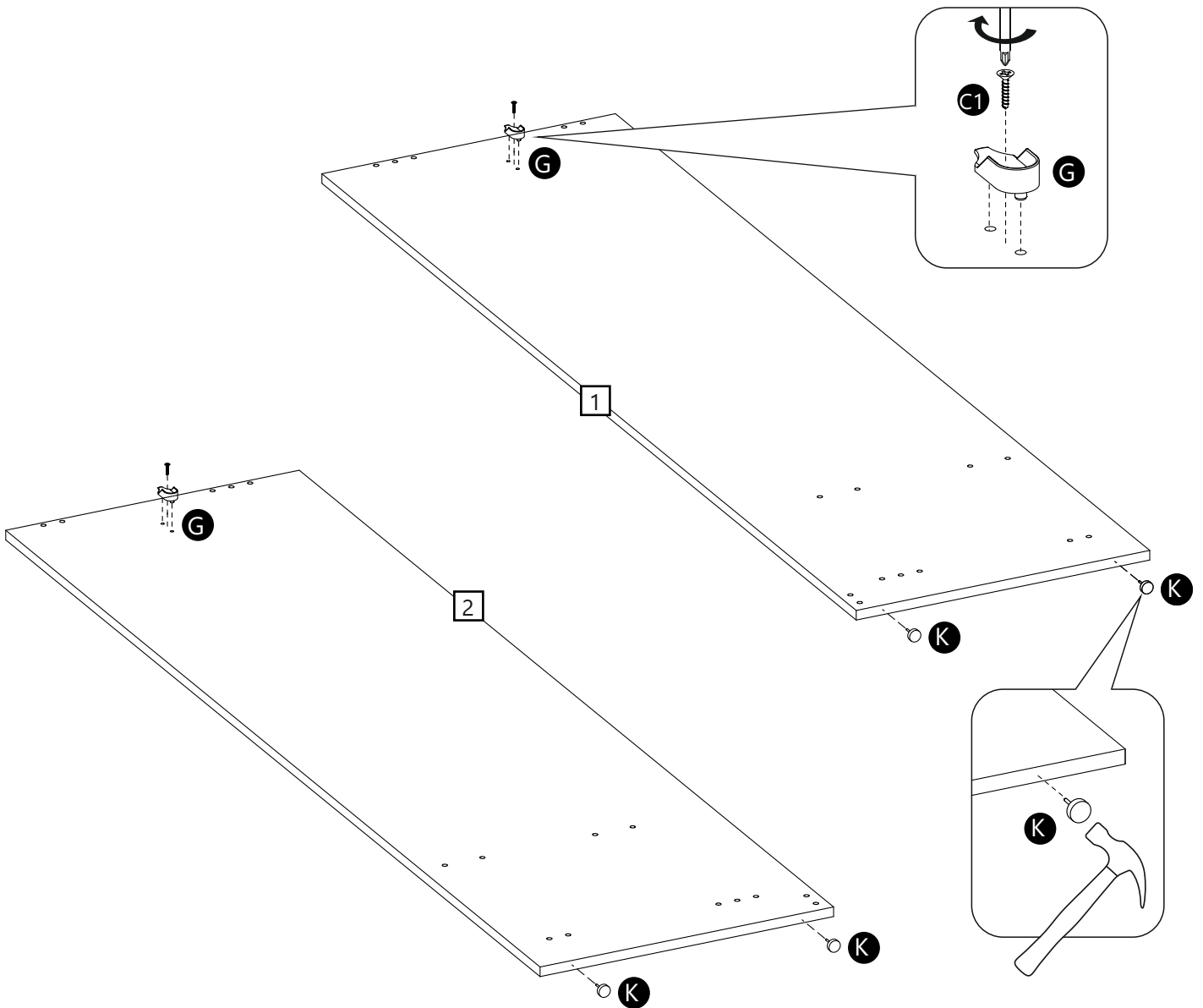


13mm Screw x2

K



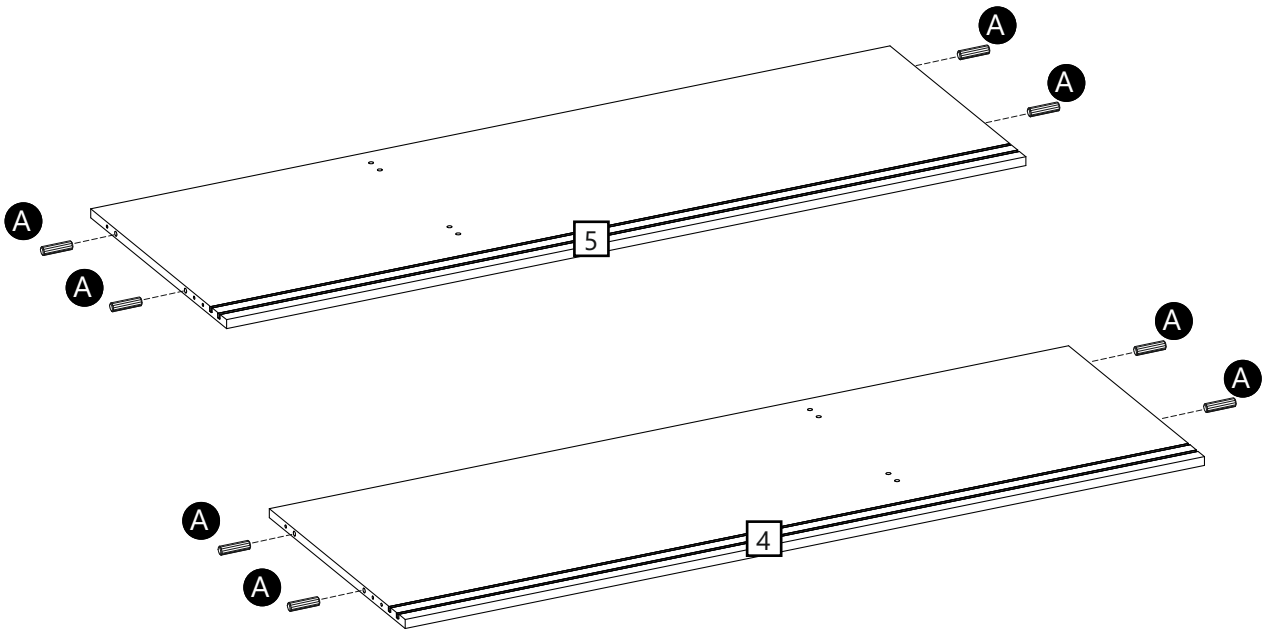
Foot x 4



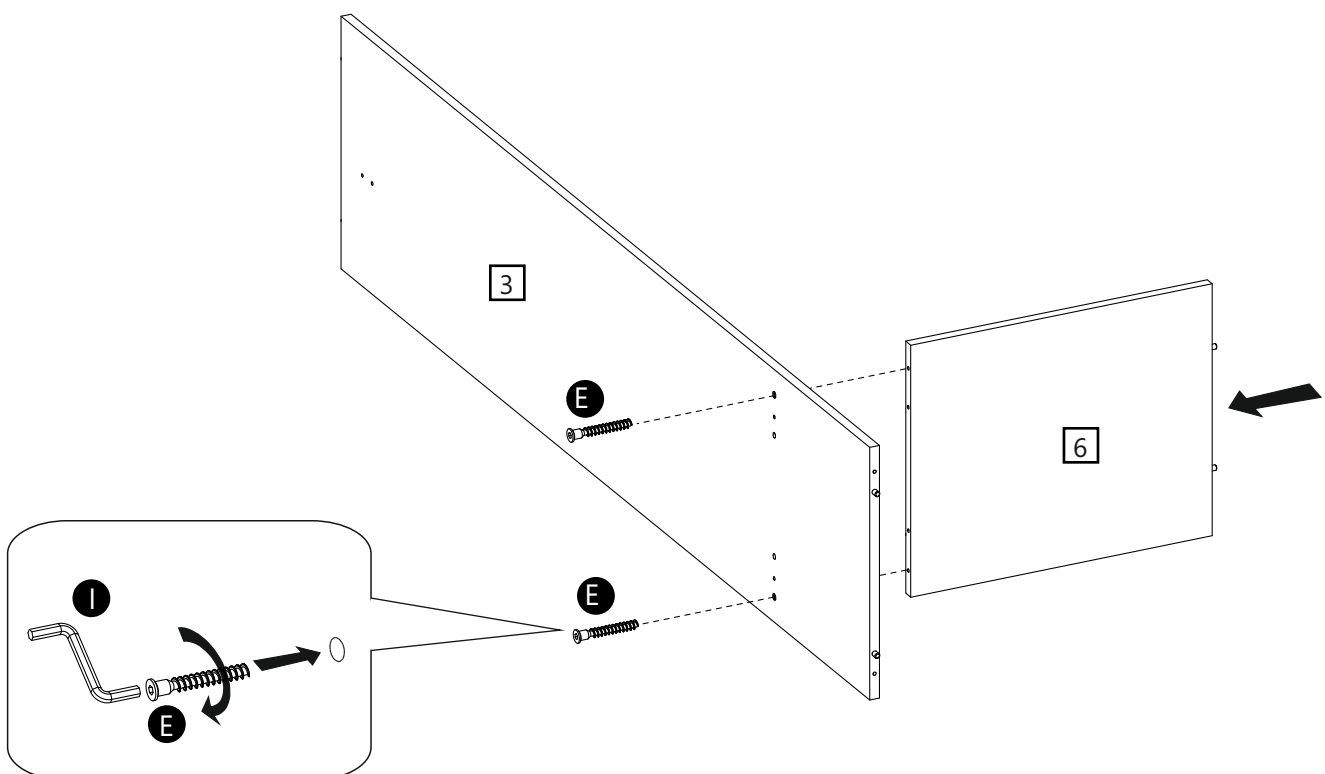
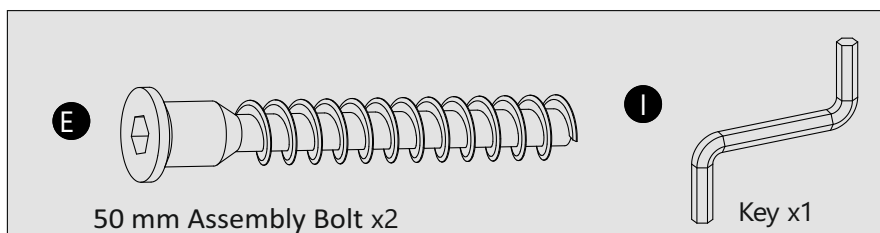




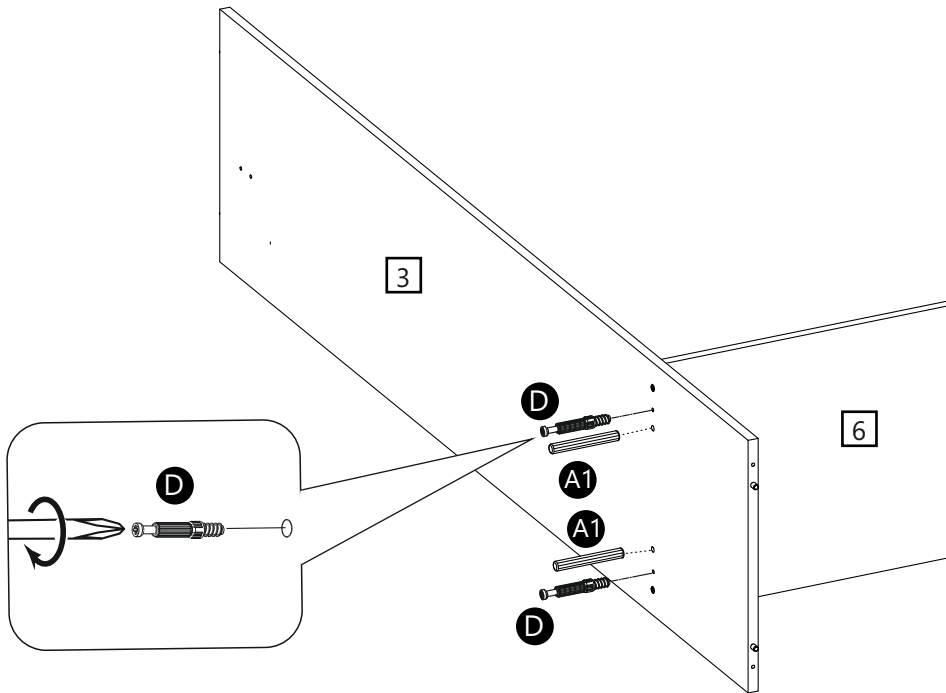
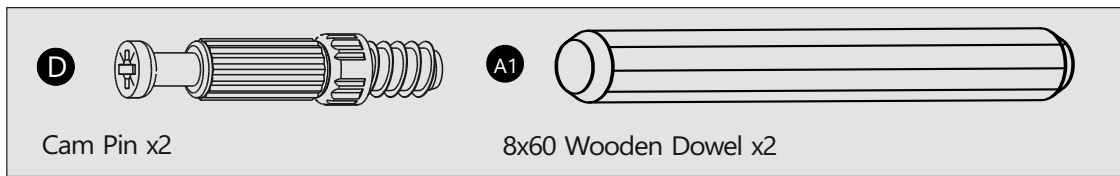
# 4



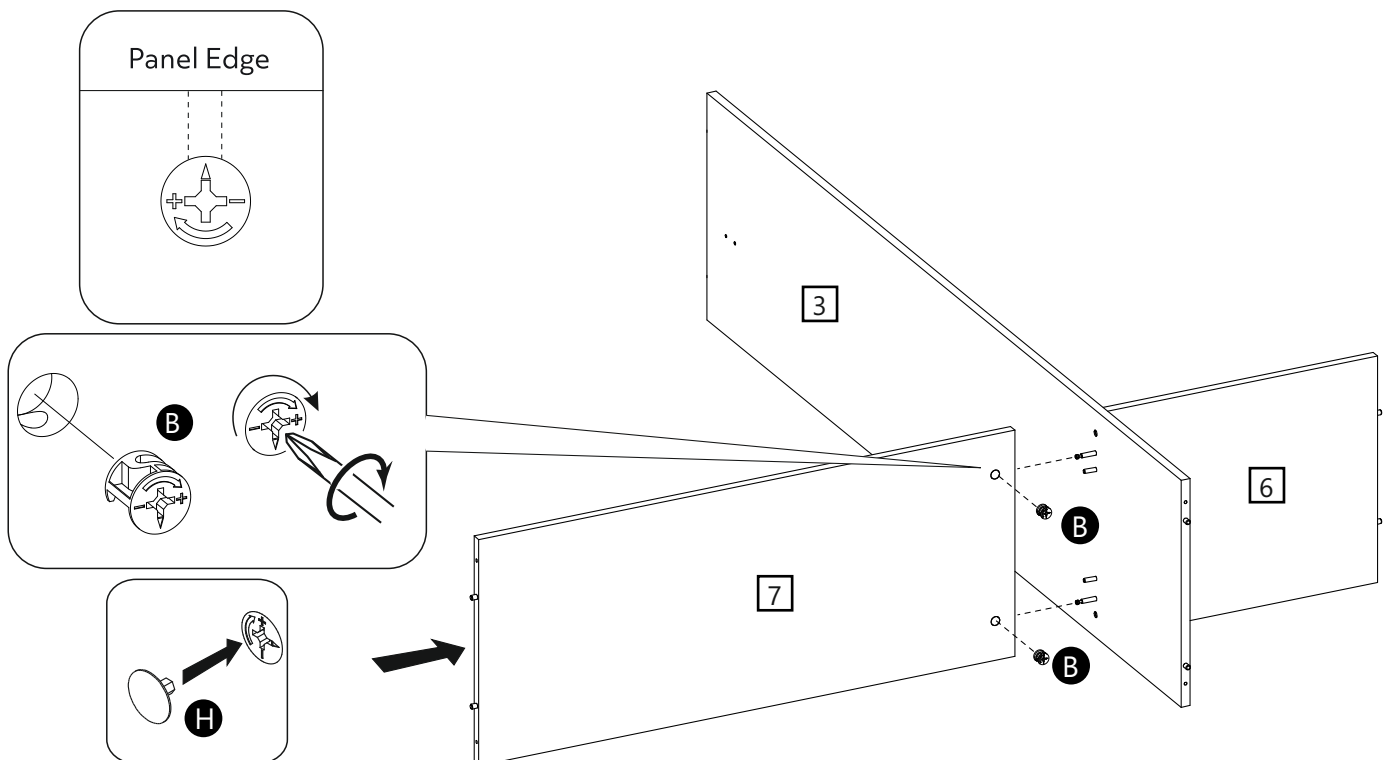
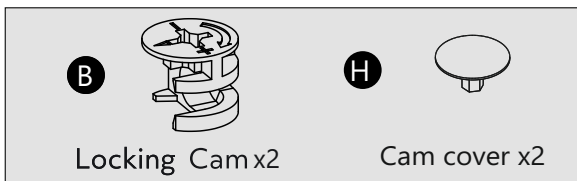
# 5



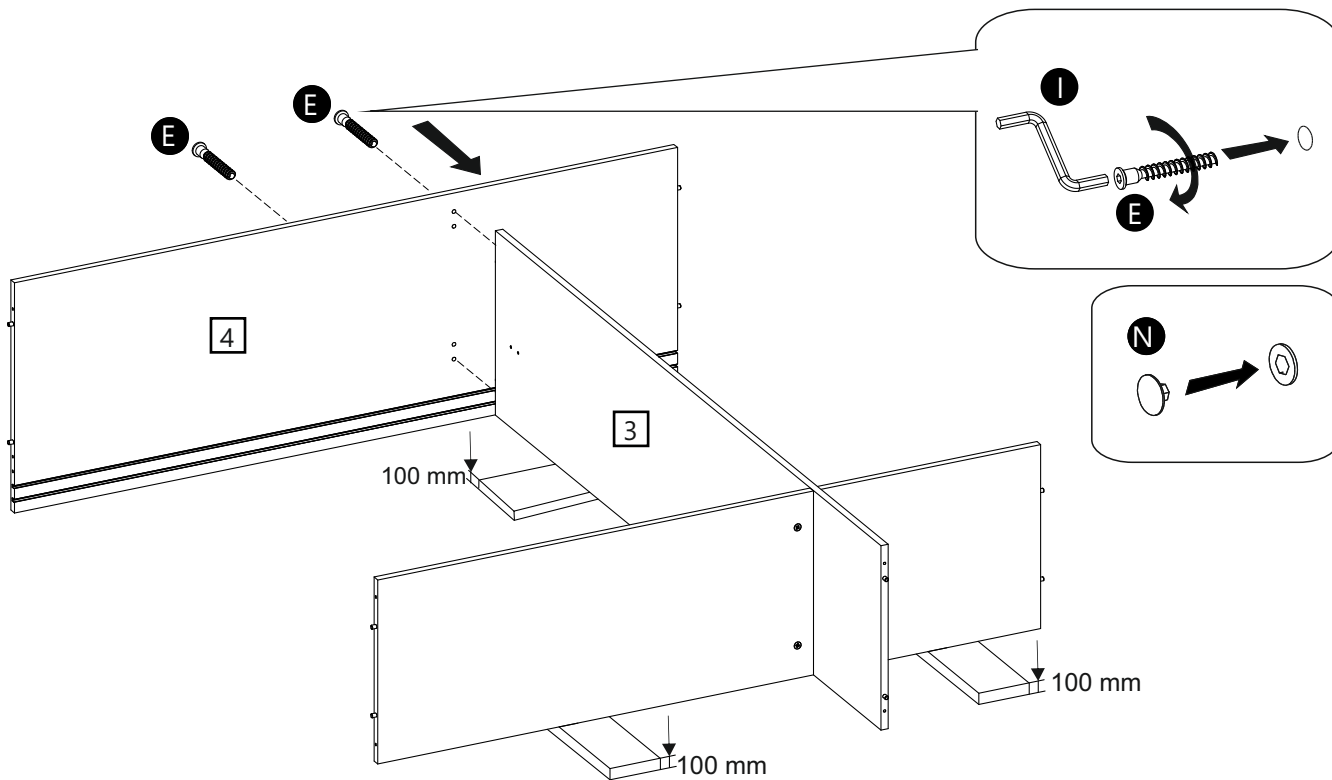
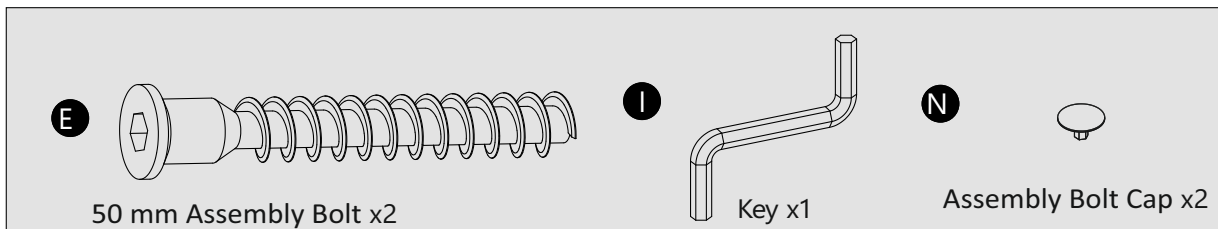
# 6



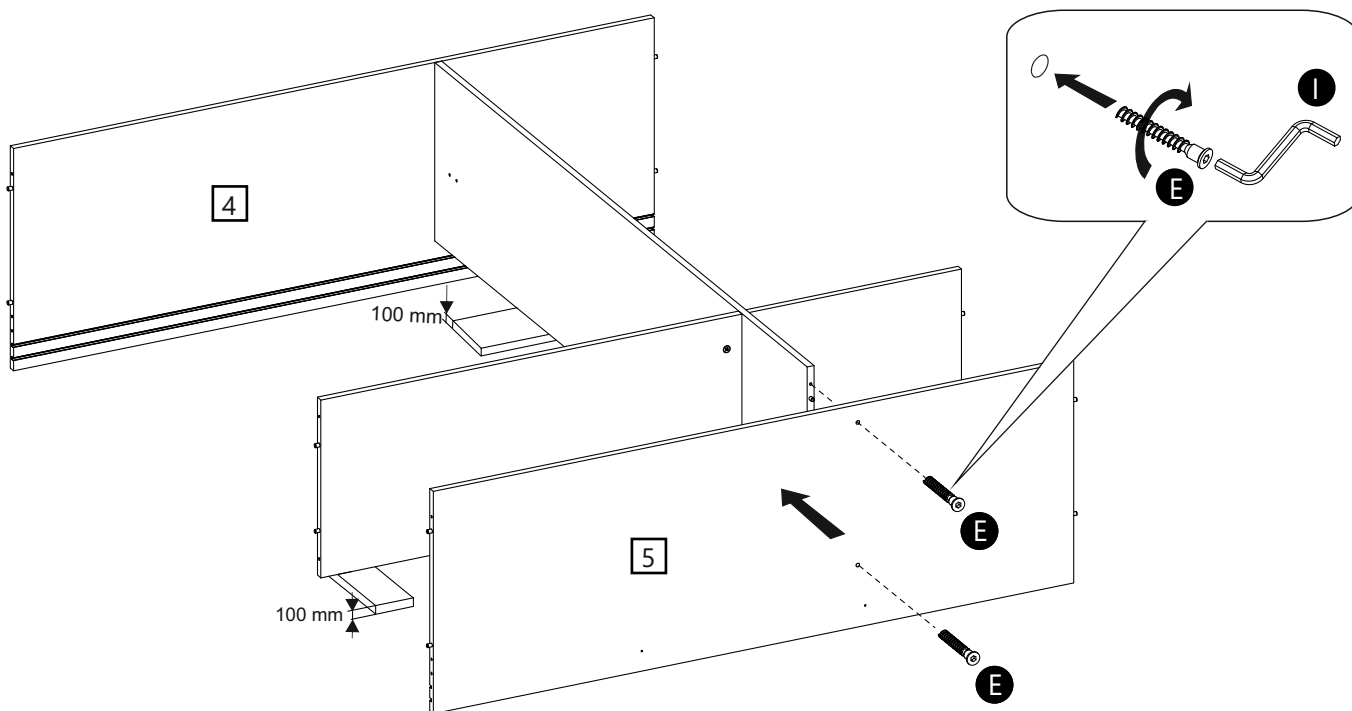
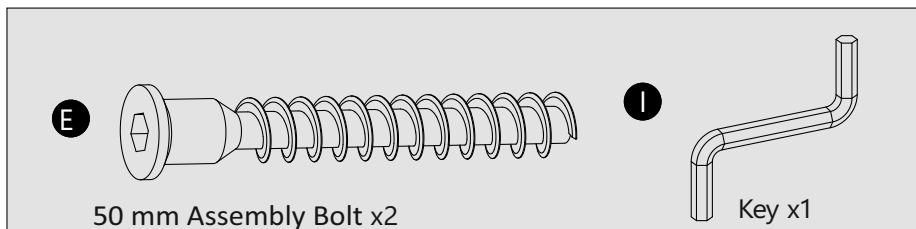
# 7



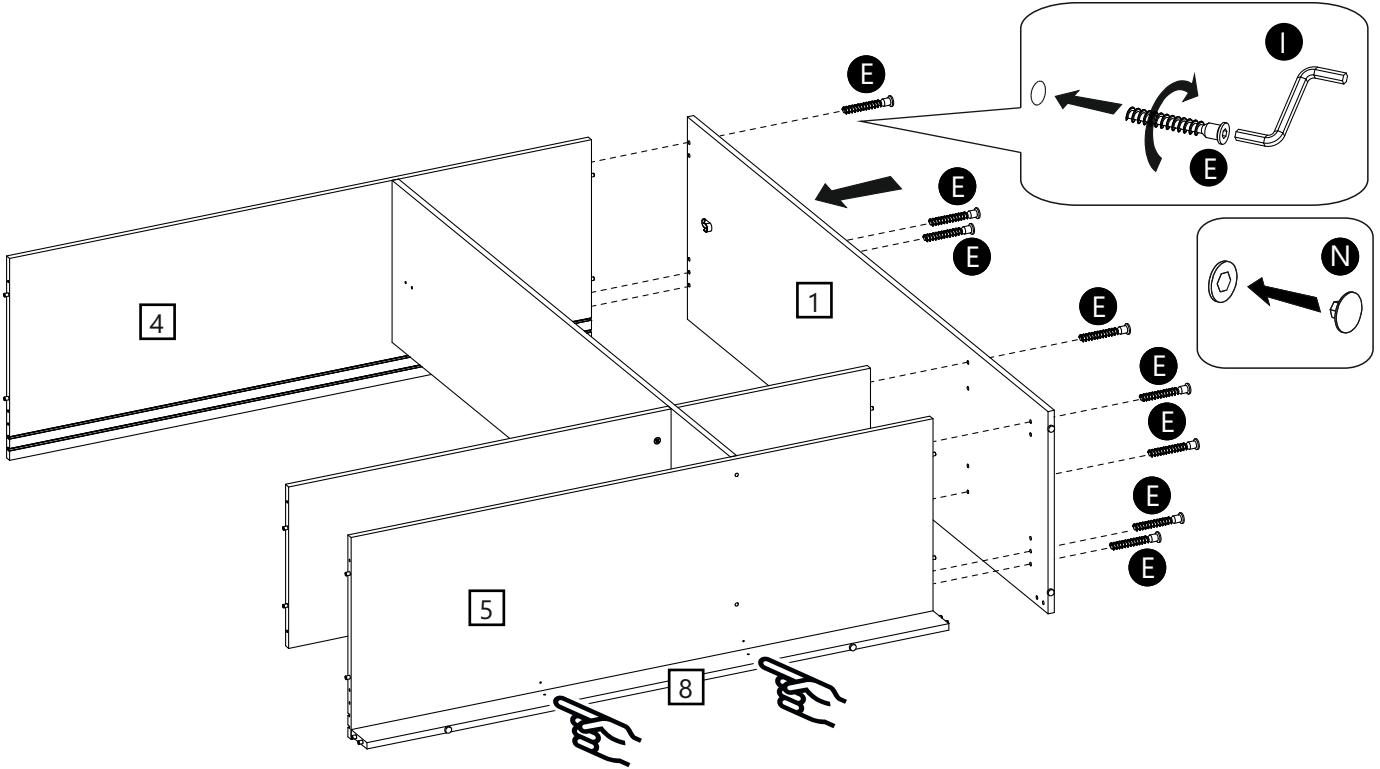
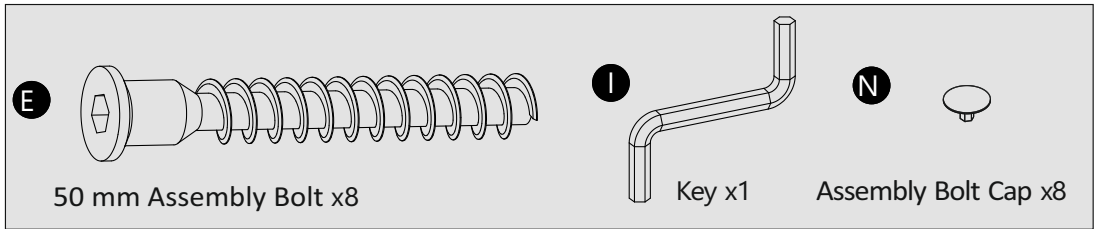
# 8



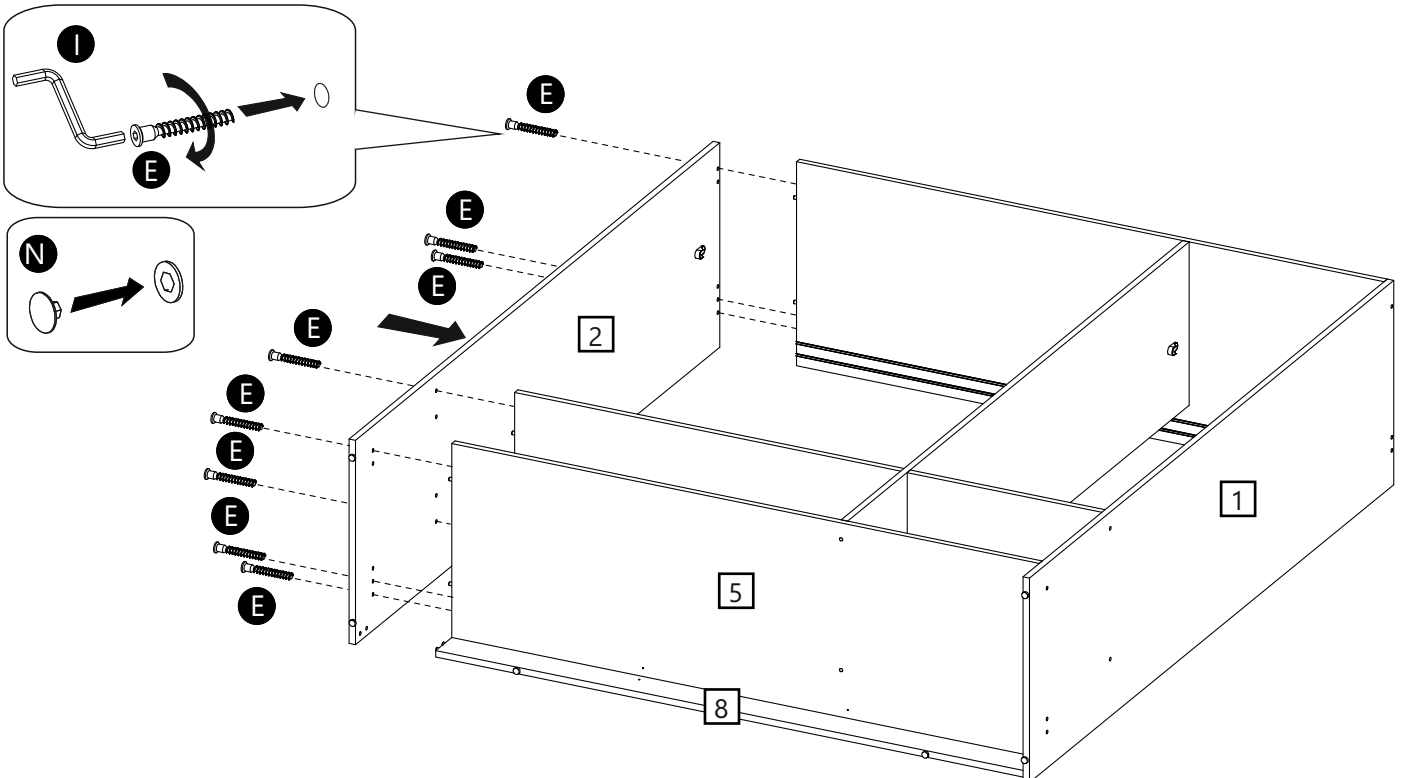
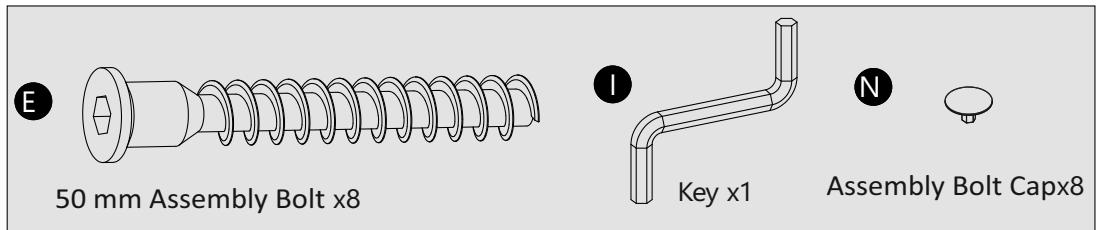
# 9



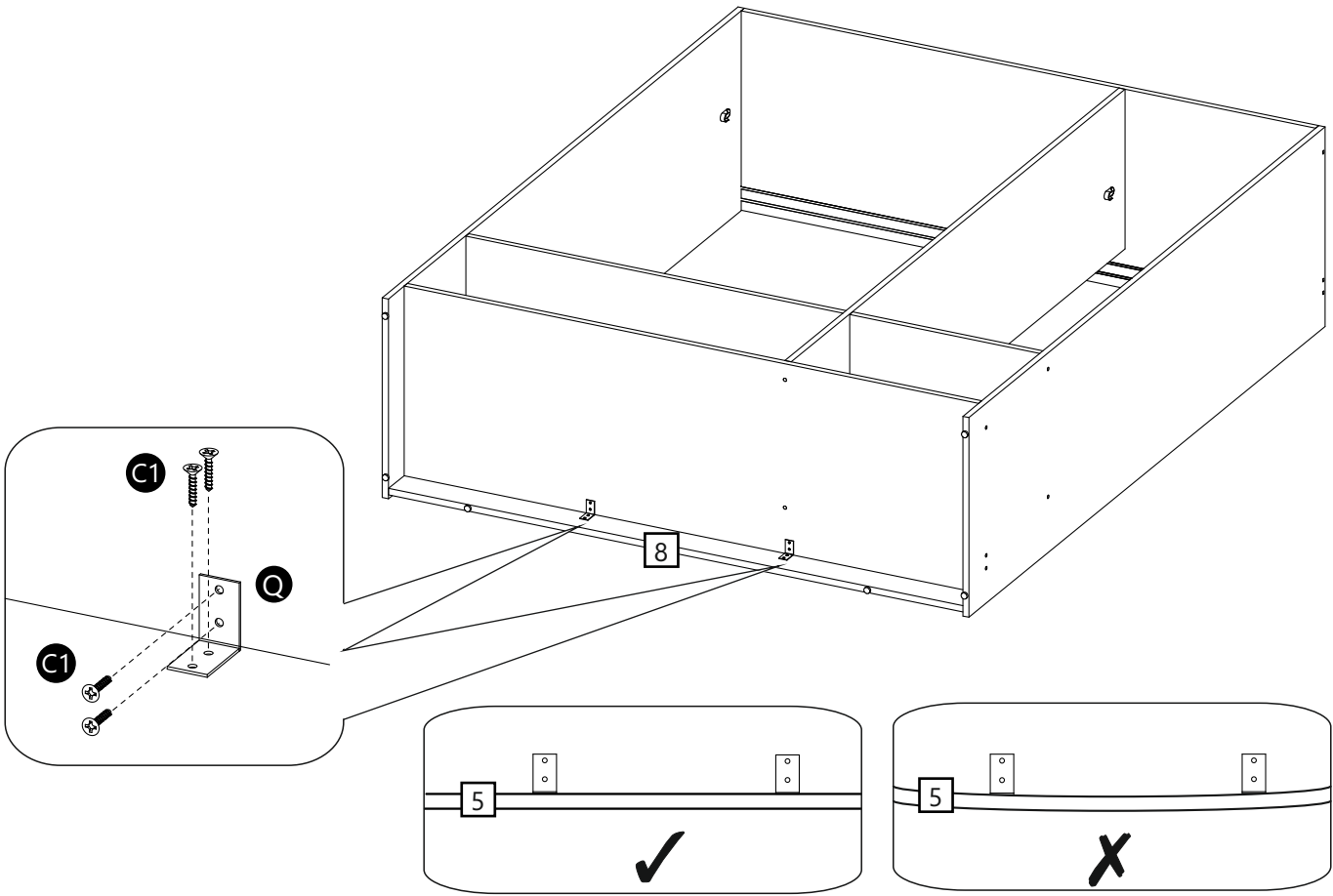
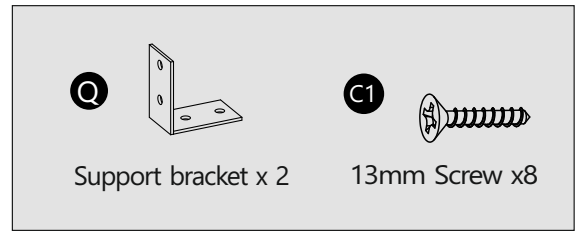
# 10



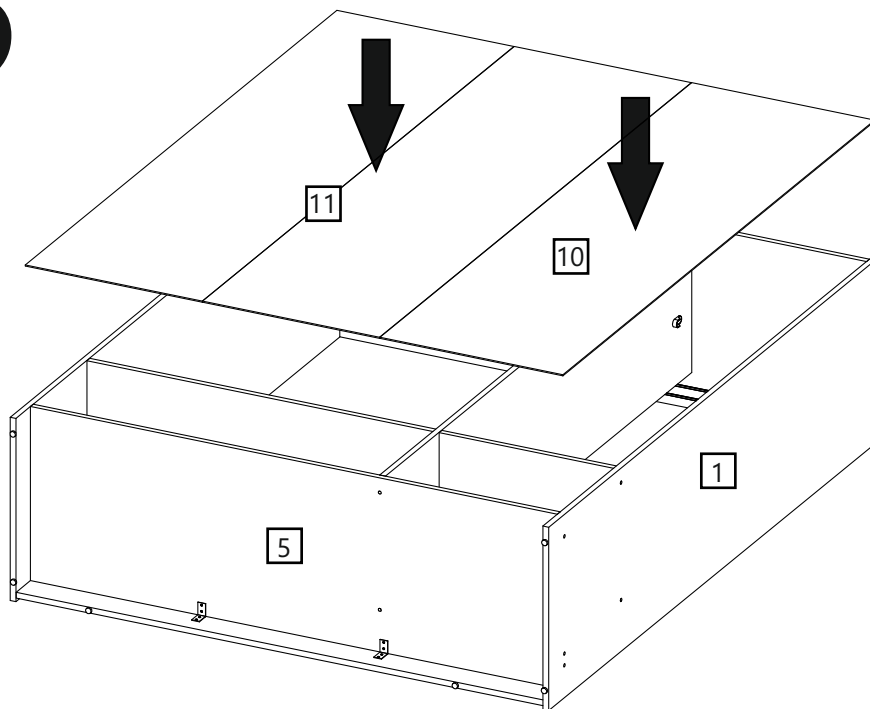
# 11



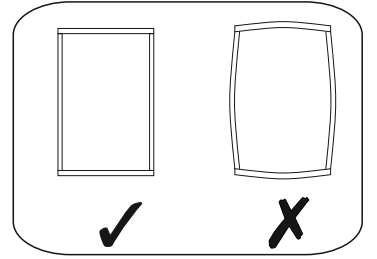
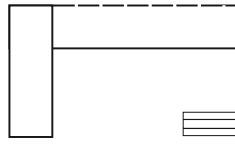
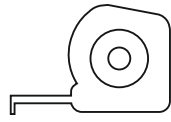
# 12



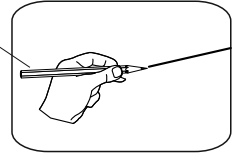
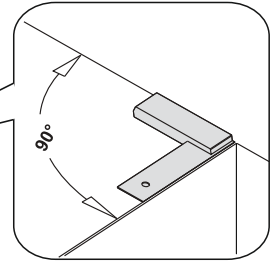
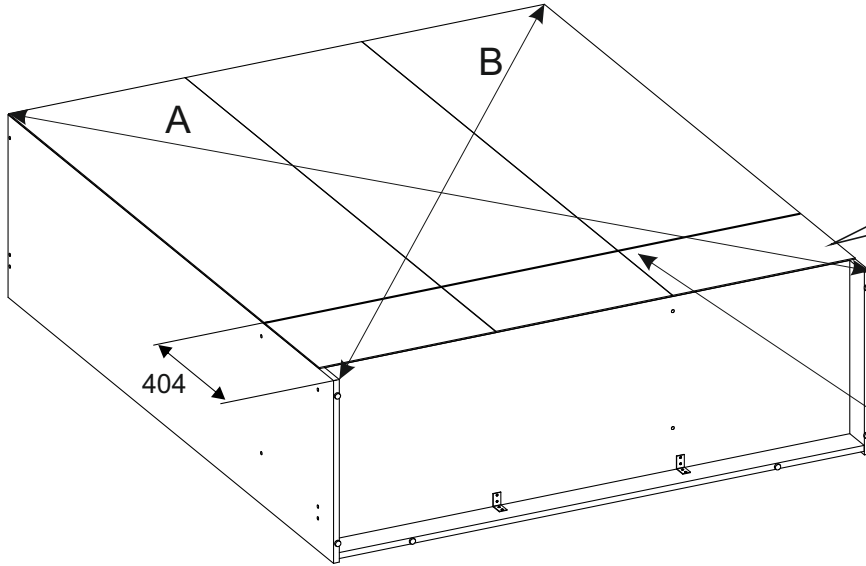
# 13



# 14



A=B



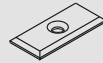
# 15

J

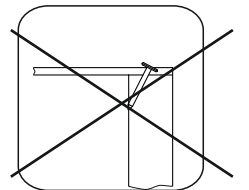
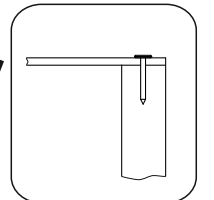
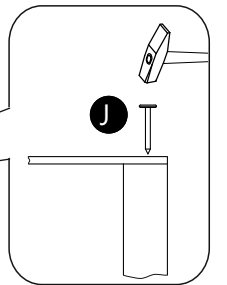
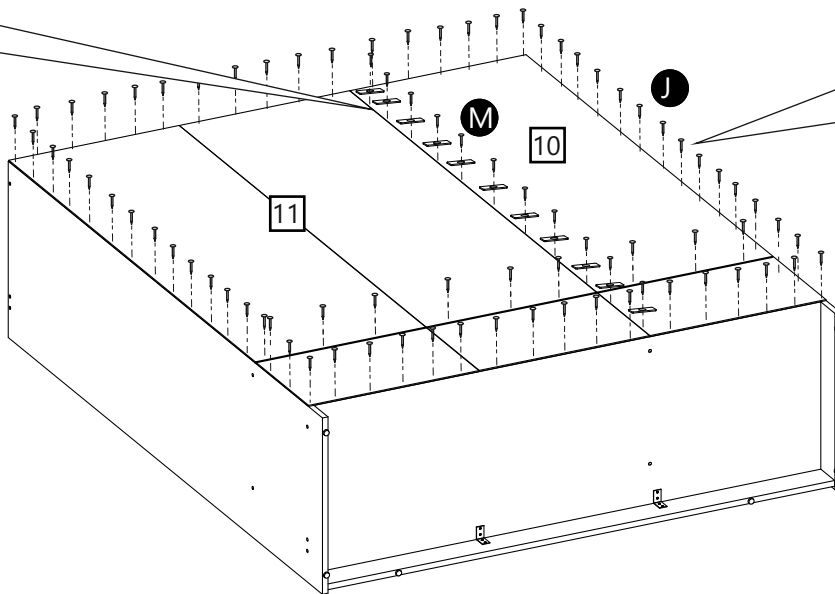
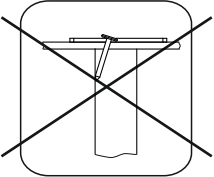
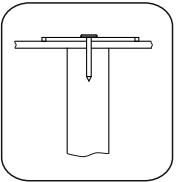
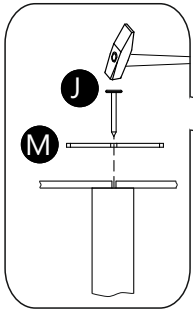


Nails x84

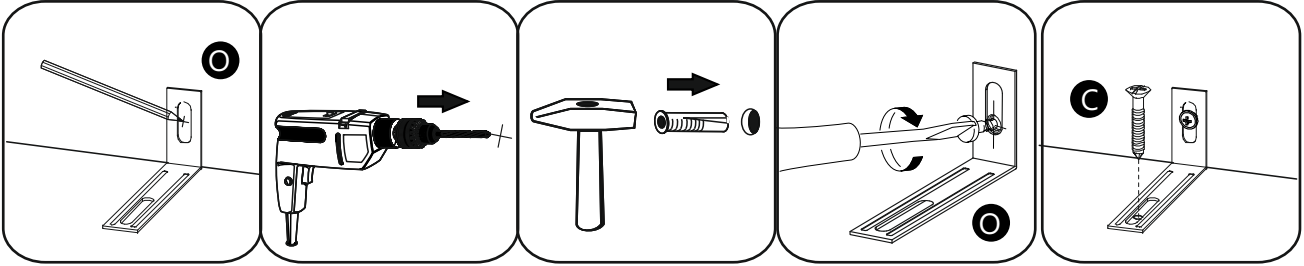
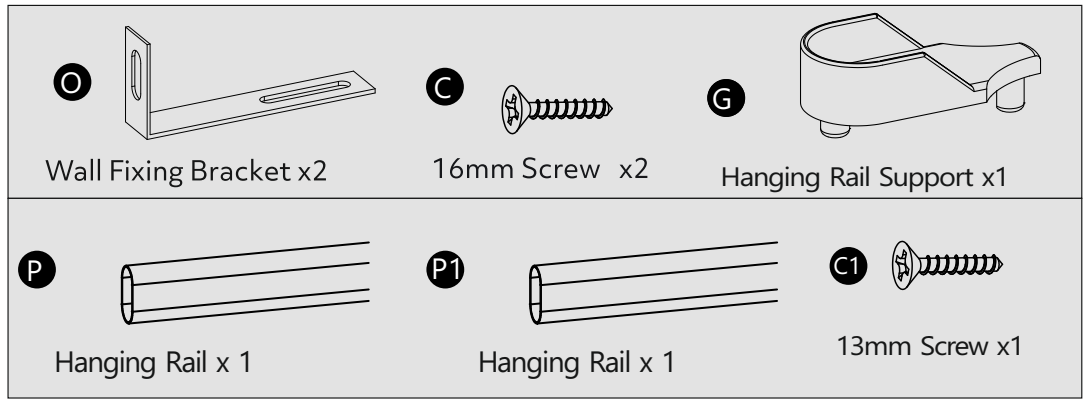
M



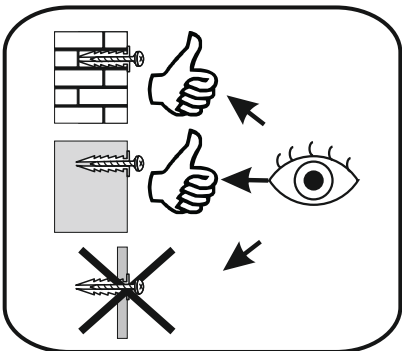
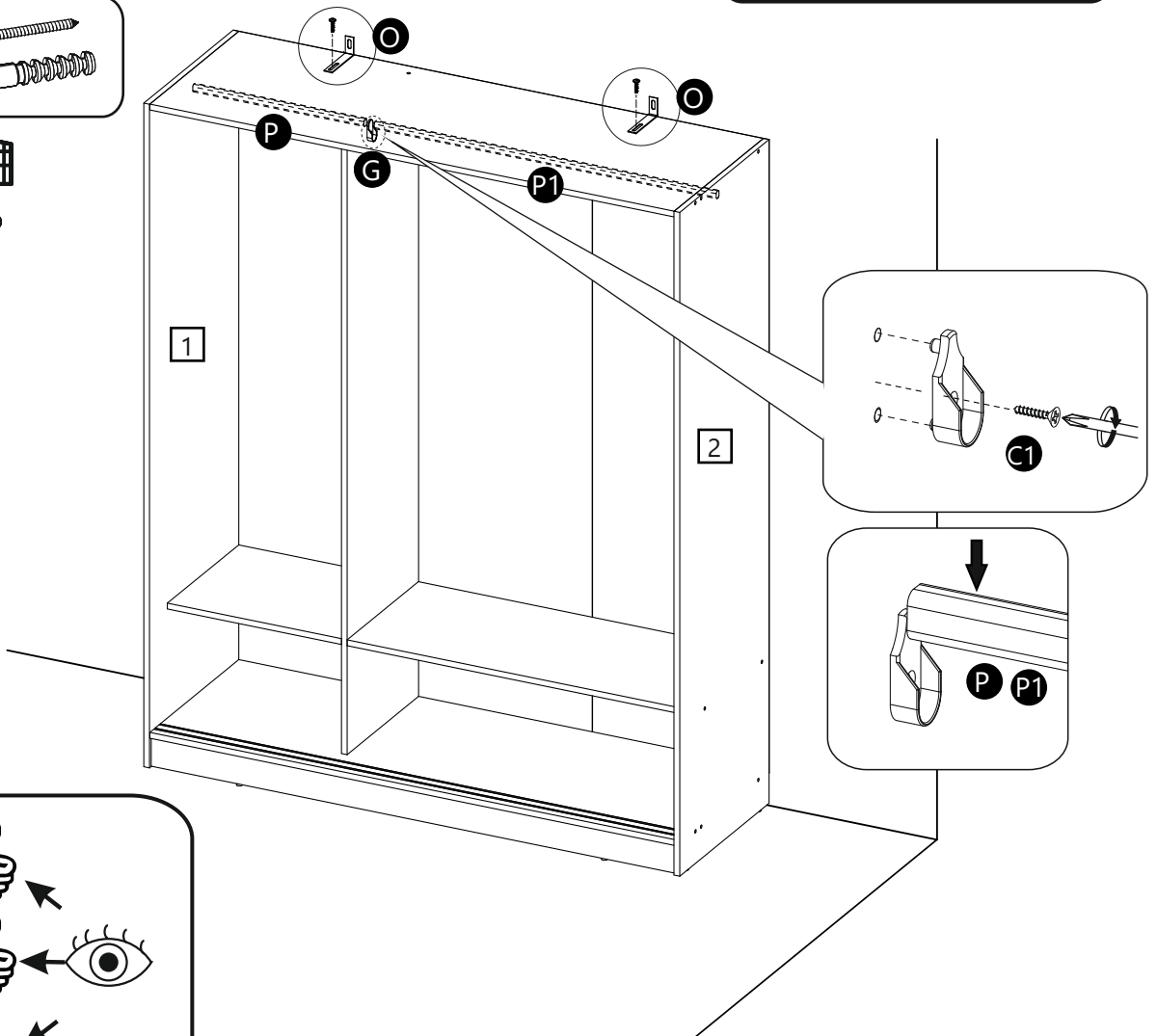
Back Support x11



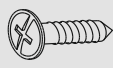
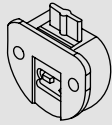
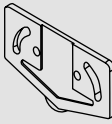
# 16

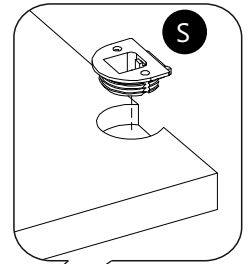
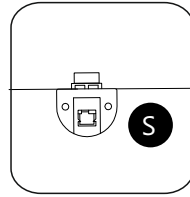
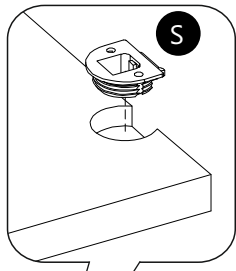


**WARNING!**  
IN ORDER TO PREVENT OVERTURNING  
THIS PRODUCT MUST BE USED WITH  
THE WALL ATTACHMENT DEVICE  
PROVIDED



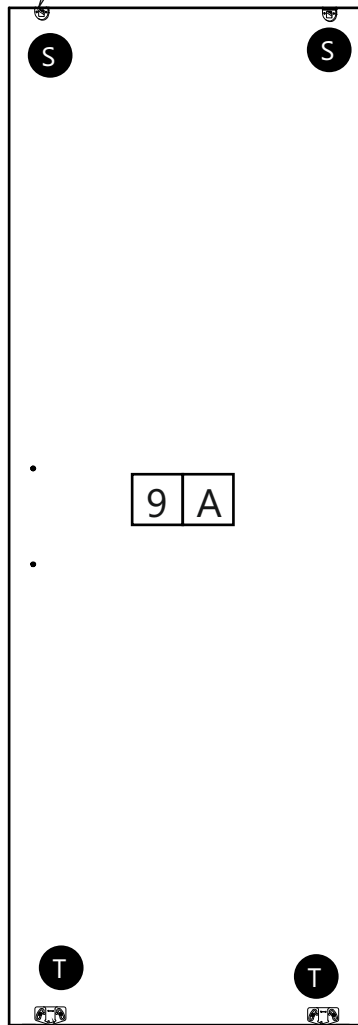
# 17

 F	 S	 T
13mm Screw x8	Top Door Bracket x 4	Bottom Door Guide x 4

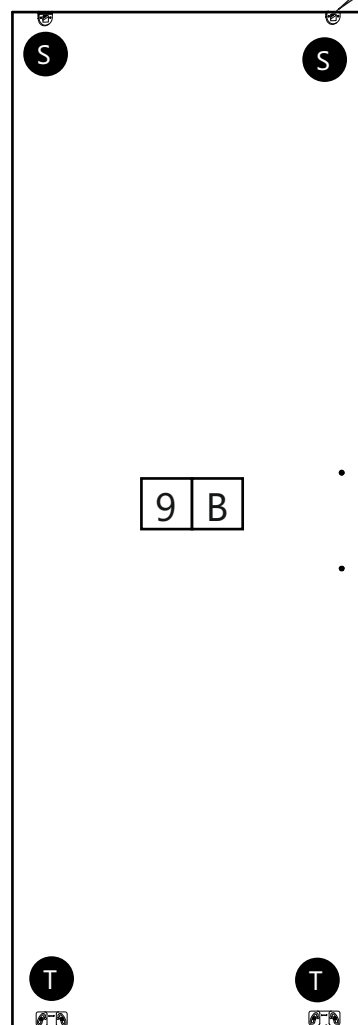


TOP

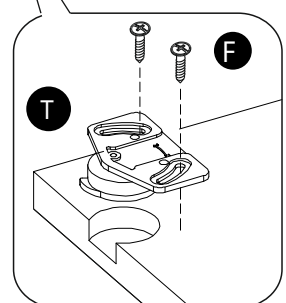
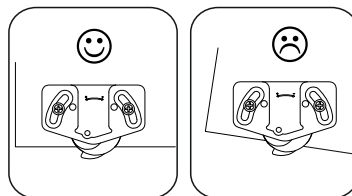
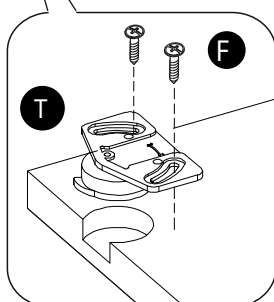
TOP



9 | A

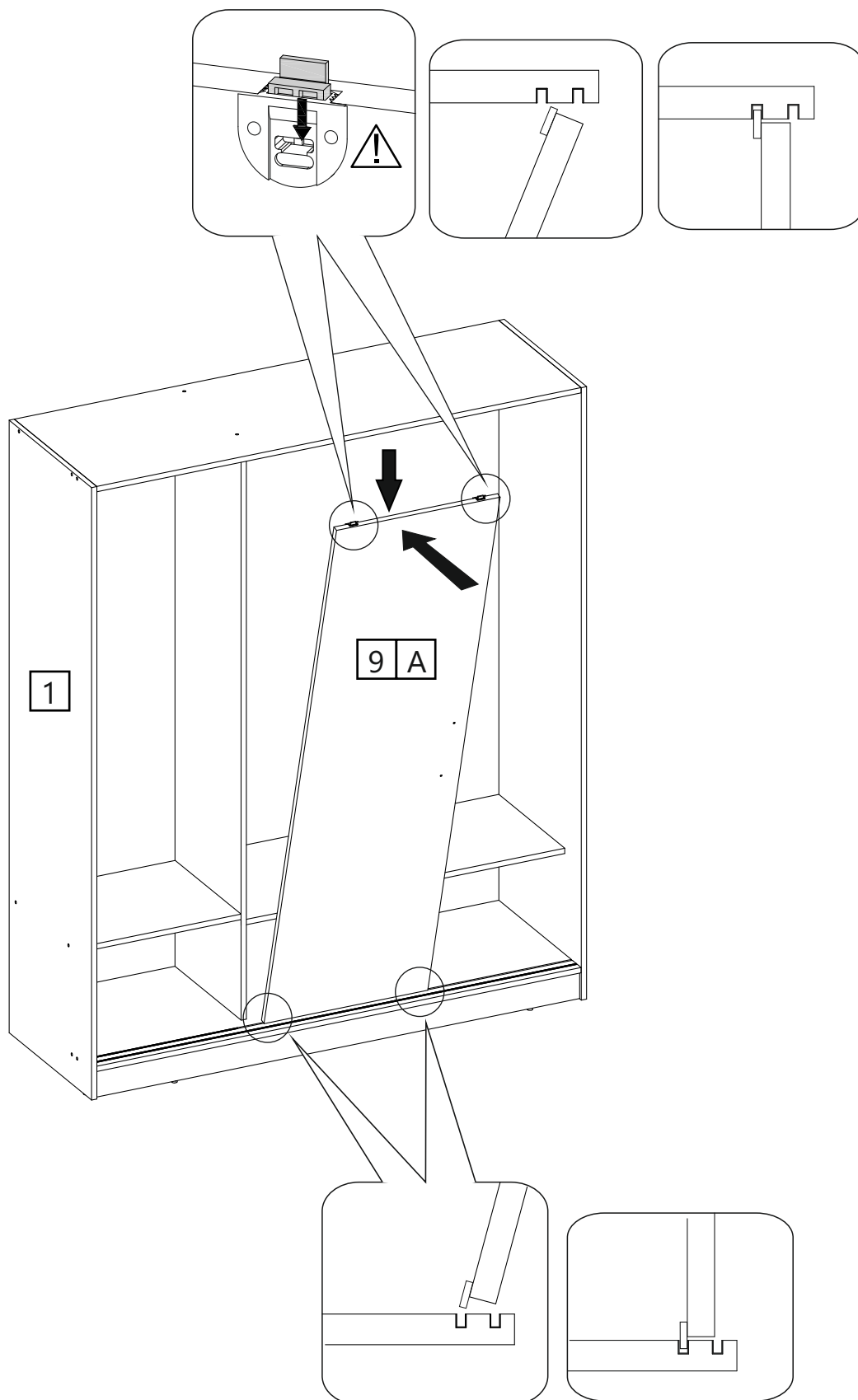


9 | B

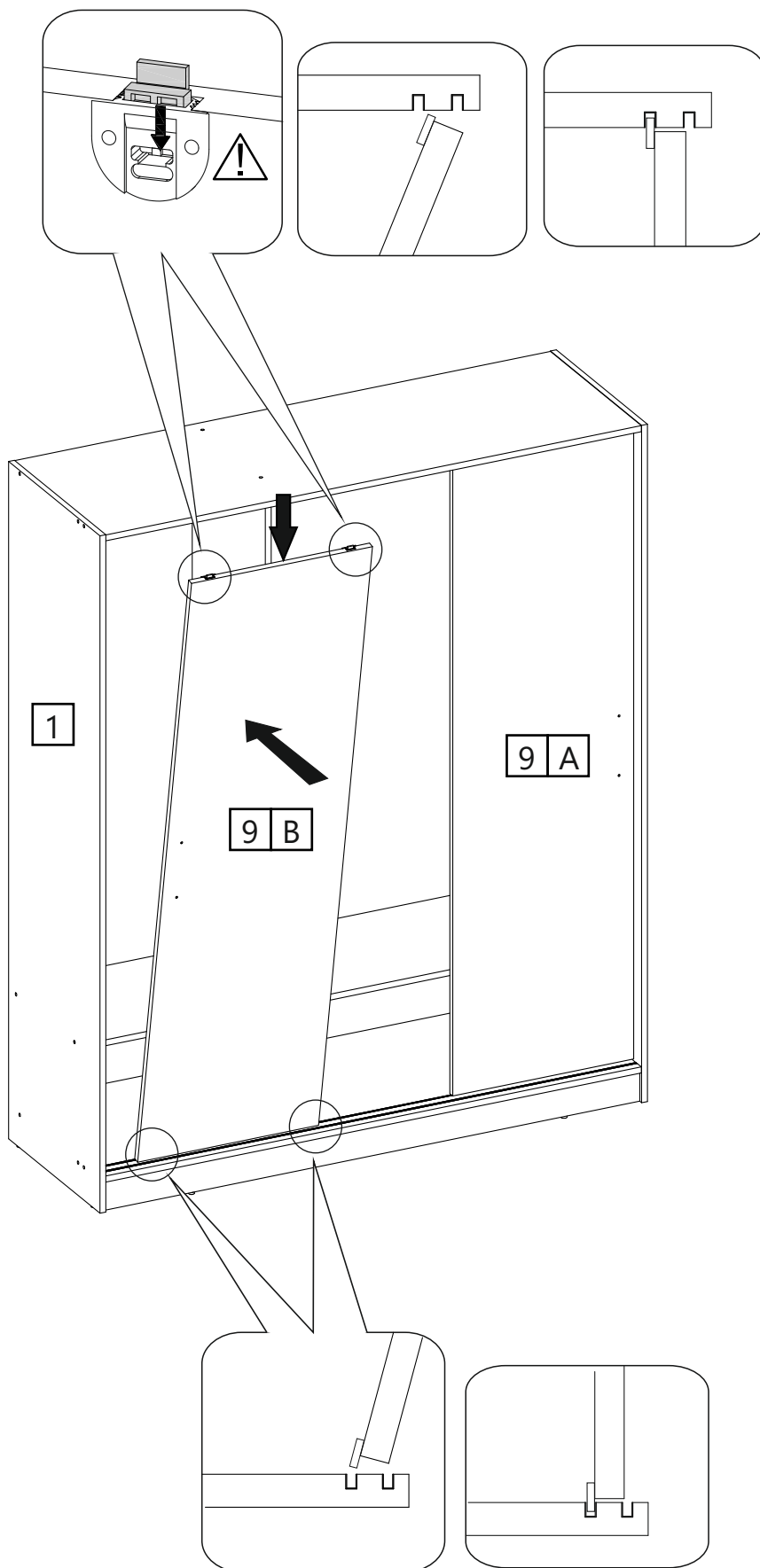




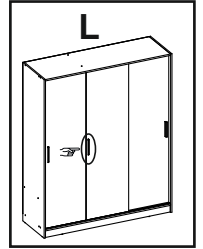
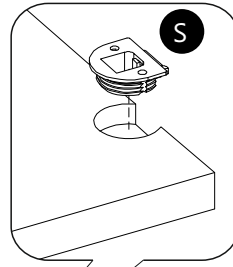
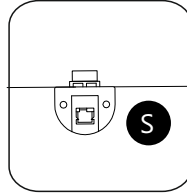
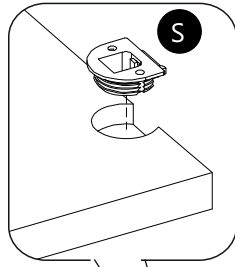
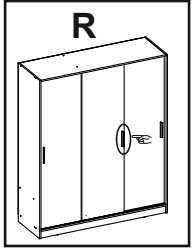
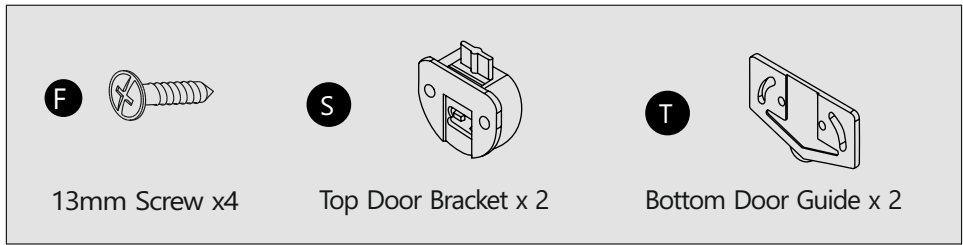
# 18



# 19

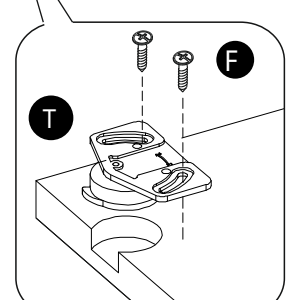
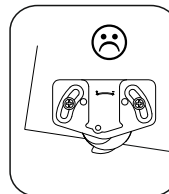
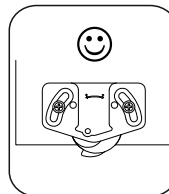
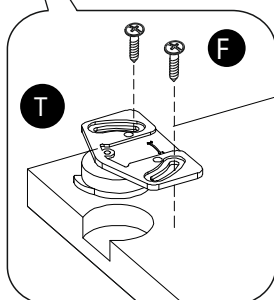
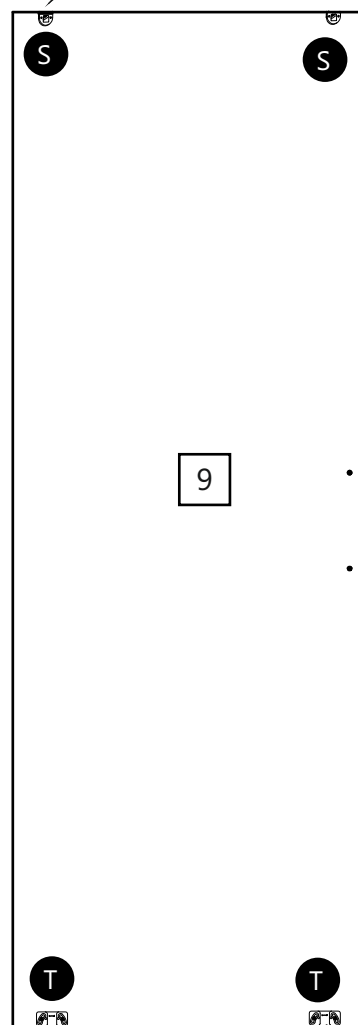
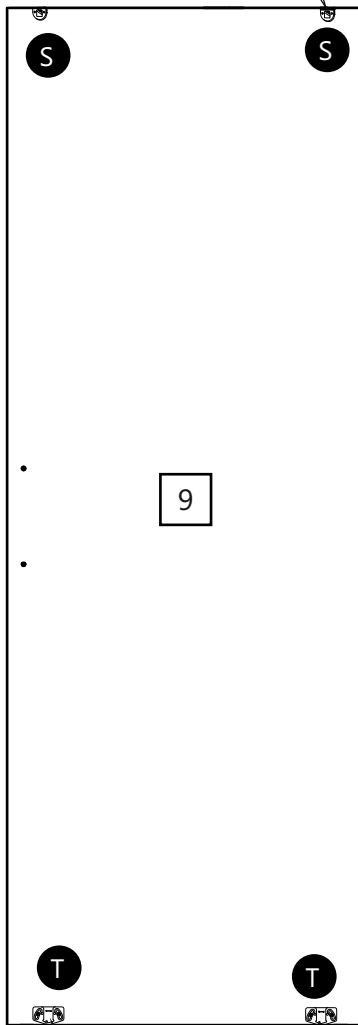


# 20

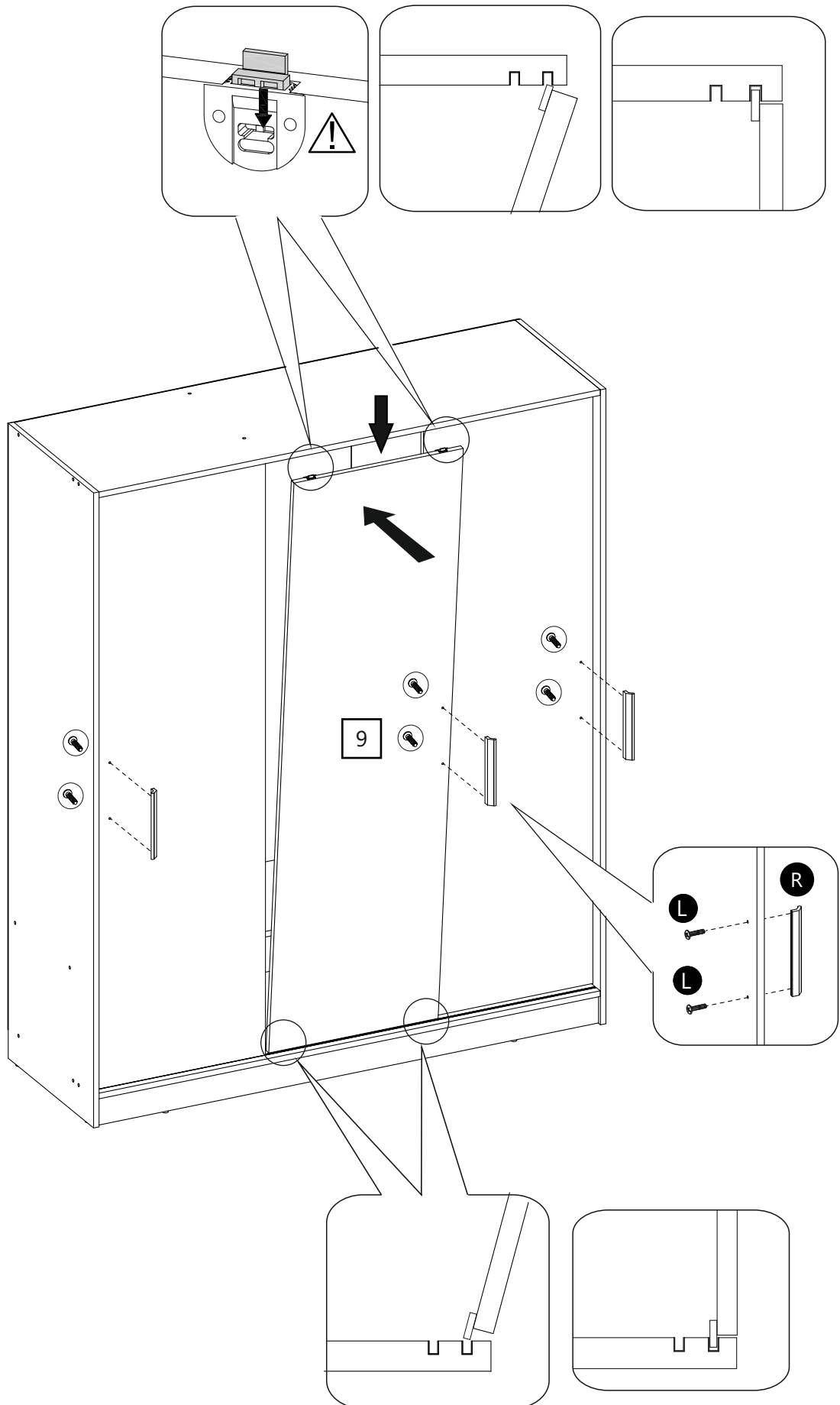
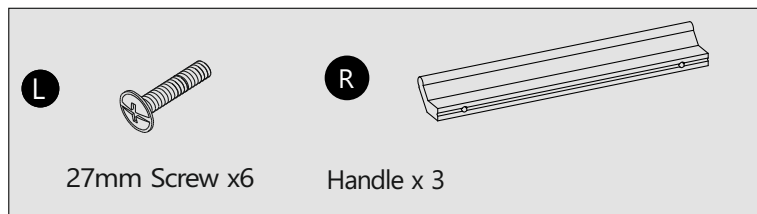


TOP

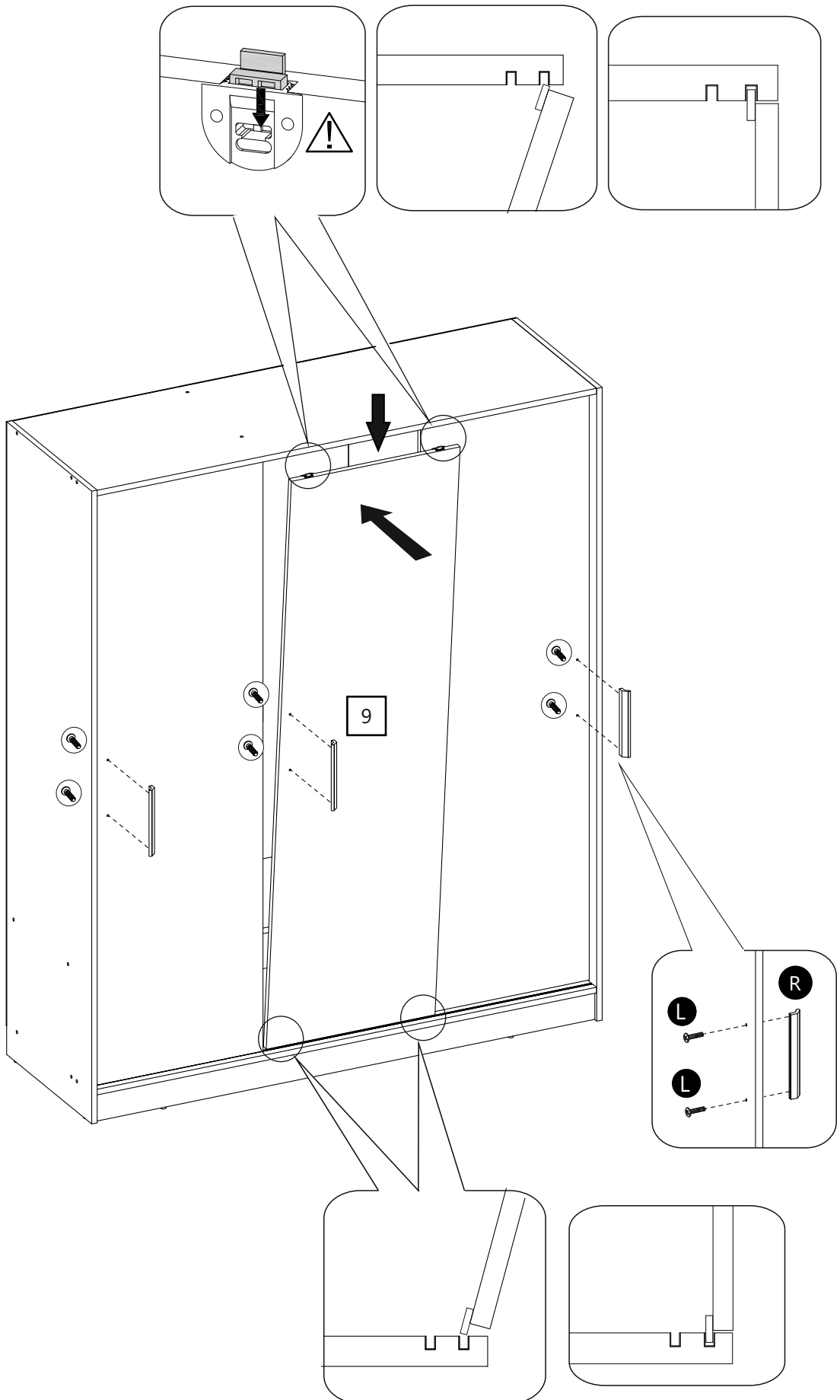
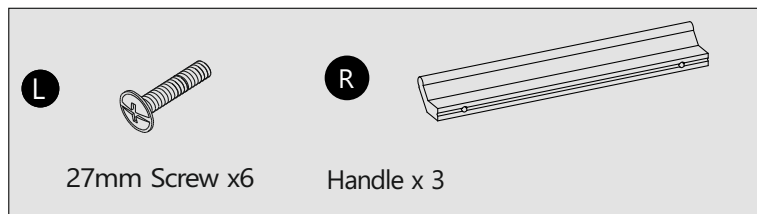
TOP



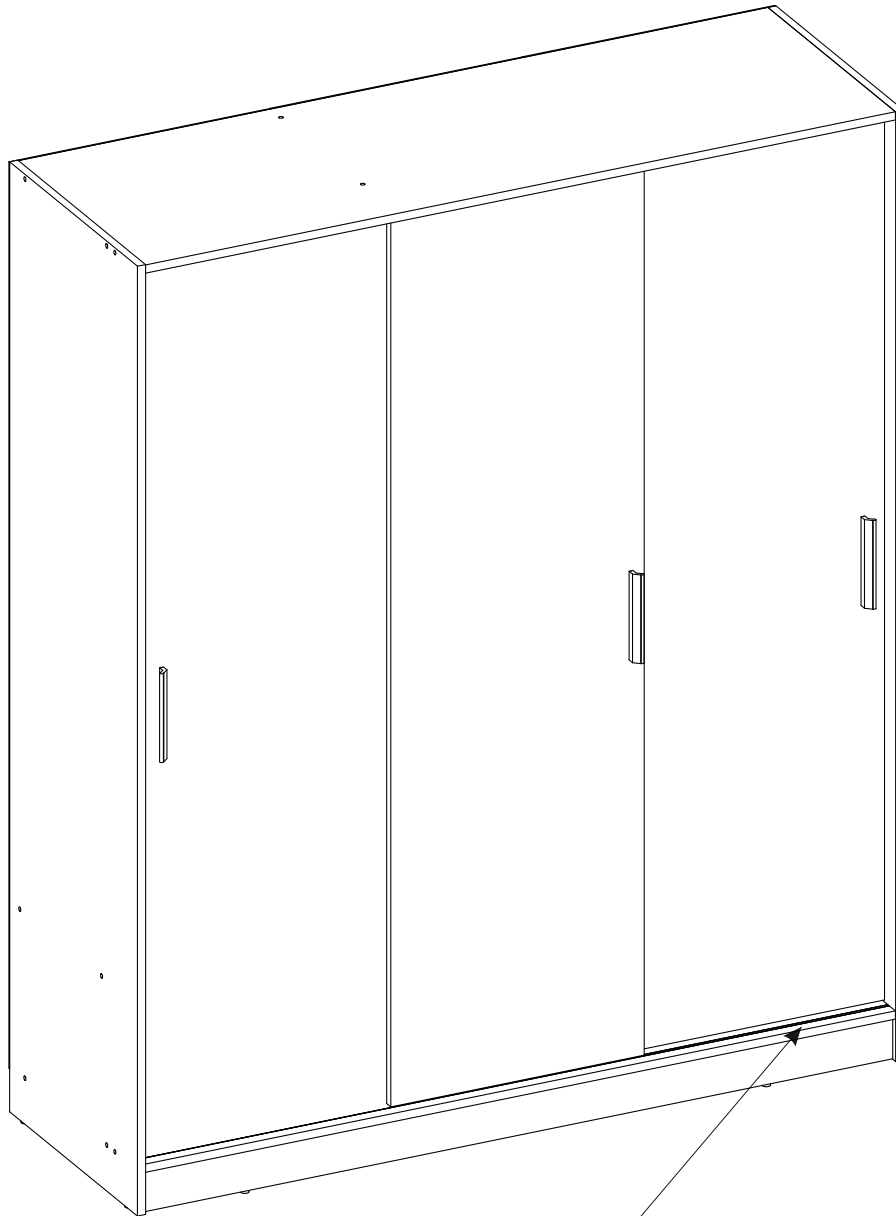
# 21



# 22



# 23



To ensure smooth operation of the sliding doors, always ensure the bottom tracks are free from any obstruction prior to opening or closing the doors.