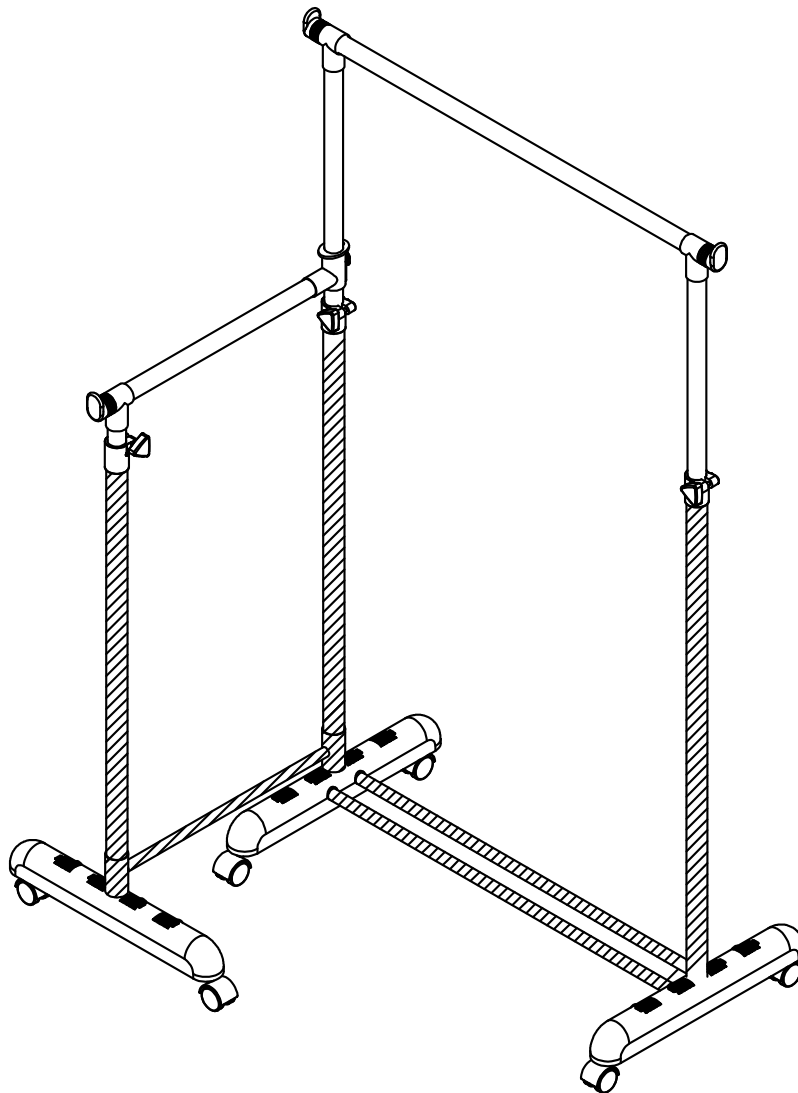


# Clothes Rail With Lower Swing Out Rail

Assembly Instructions - Please keep for future reference

359/1815



## Dimensions

Width - 84cm

Depth - 44cm

Height - 113-187.5cm

**Important** – Please read these instructions fully before starting assembly

If you need help or have damaged or missing parts, call the **Customer Helpline: 03456 400800**



# Safety and Care Advice

## Important – Please read these instructions fully before starting assembly

- Check you have all the components and tools listed on the following pages.
- Remove all fittings from the plastic bags and separate them into their groups.
- Keep children and animals away from the work area, small parts could choke if swallowed.
- Make sure you have enough space to layout the parts before starting.

- During assembly do not stand or put weight on the product, this could cause damage.
- Assemble the item as close to its final position (in the same room) as possible.
- Assemble on a soft level surface to avoid damaging the unit or your floor.
- Parts of the assembly will be easier with 2 people.



- To reduce the likelihood of damaging your product please ensure that your power drill is set on a low torque setting.

## Care and maintenance

- Only clean using a damp cloth and mild detergent, do not use bleach or abrasive cleaners.
- From time to time check that there are no loose screws on this unit.
- This product should not be discarded with household waste. Take to your local authority waste disposal centre.

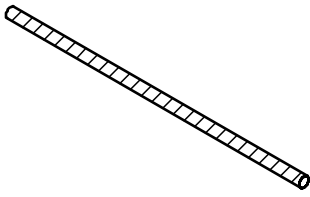
## Handy Hints

- Assemble all parts and bolts loosely during assembly, only once the product is complete should you fully tighten the bolts
- Regularly check and ensure that all bolts and fittings are tightened properly.

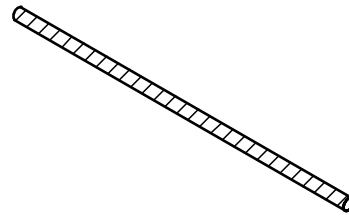
# Components - Parts

If you have damaged or missing components, call the **Customer Helpline: 03456 400800**

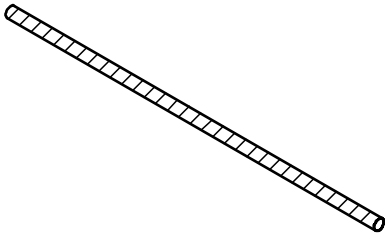
Please check you have all the fittings listed below



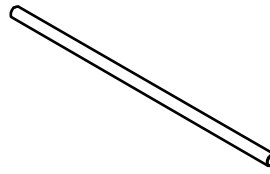
**1** Black Coated Tube x 1 (872 mm)



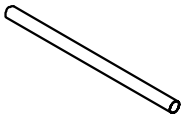
**2** Black Coated Tube x 1 (900 mm)



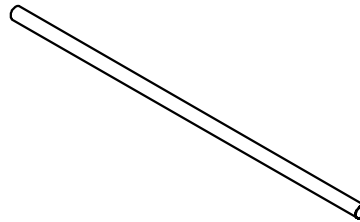
**3** Black Coated Tube x 1 (968 mm)



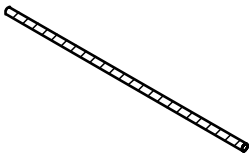
**4** Chrome Plated Tube x 2 (840 mm)



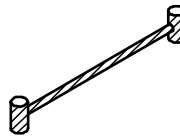
**5** Chrome Plated Tube x 1 (500 mm)



**6** Chrome Plated Tube x 2 (950 mm)



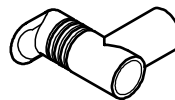
**7** Black Coated Tube x 2 (790 mm)



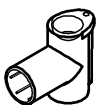
**8** Black Coated Tube x 1



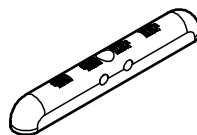
**9** Plastic Clipper x 3



**10** Pole Locker x 3



**11** Plastic Connector x 1



**12** Plastic Base x 3



**13** Castor without stopper x 6

# Assembly Instructions

## Step 1

Connect the Black Coated Tube **7** with Plastic Base **12**.

Import Note: Ensure that tubes are tightly connected with Plastic Base **12**.

See fig 1

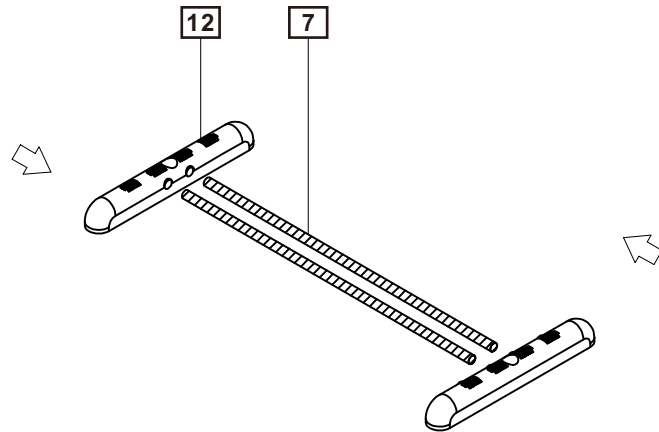


fig 1

## Step 2

Connect Black Coated Tube **1** and **2** along with another Black Coated Tube **8** and then insert them with Plastic Bases **12**.

Insert Black Coated Tube **3** to Plastic Base **12**.

Insert Plastic Clipper **9** through each Black Coated Tube **1**, **2** and **3**.

See fig 2

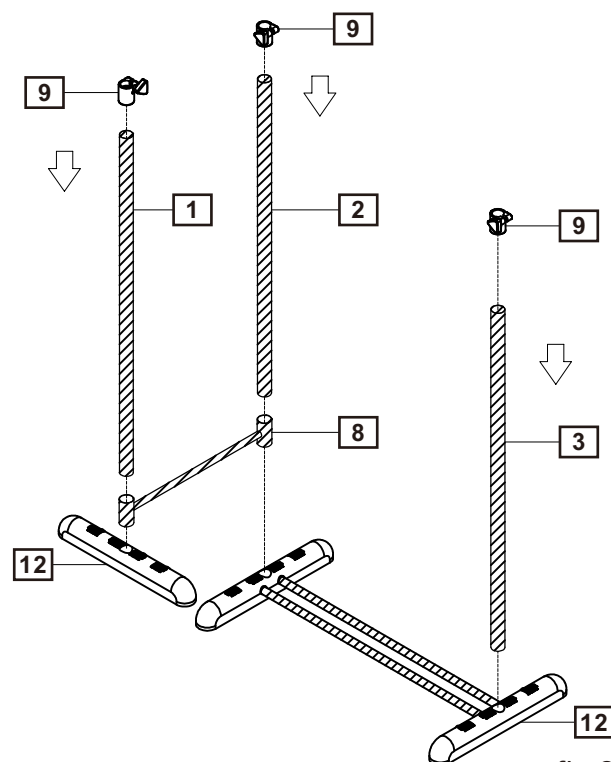


fig 2

# Assembly Instructions

## Step 3

Connect Pole Locker **10** along with Chrome Plated Tube **6** and **4**.

Insert Plastic Connector **11** to Chrome Plated Tube **6**.

Connect Chrome Plated Tube **6** with Black Coated Tubes **2** and **3**.

Insert Chrome Plated Steel Tube **4** into Black Coated Tube **1**.

See fig 3

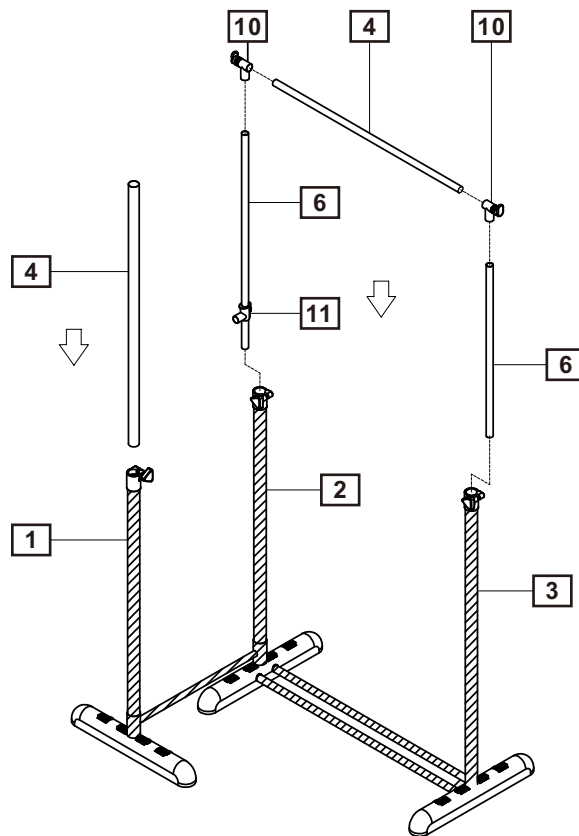


fig 3

## Step 4

Connect Chrome Plated Tube **5** to Plastic Connector **11** and insert Pole Locker **10** at the end.

Insert Castor **13** into the Plastic Base **12**.

See fig 4

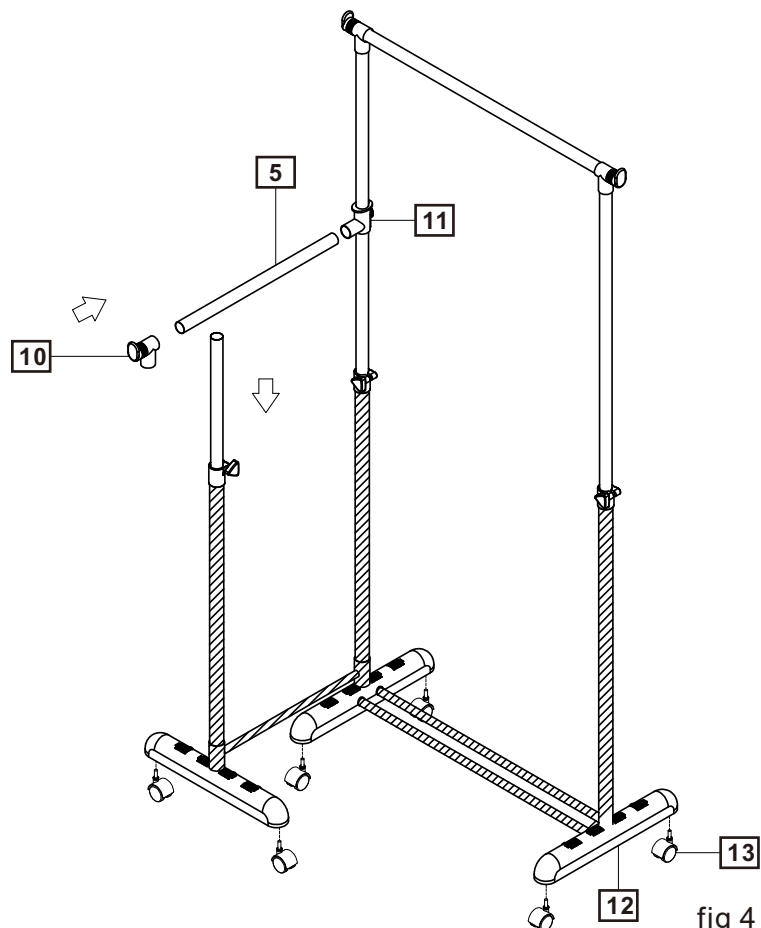


fig 4

# Assembly Instructions

## Step 5

After you have followed each step mentioned above, you can adjust the height to desired position by loosen Plastic Clipper **9** on each Black Coated Tube **1**, **2** and **3** and screw them tightly.

Finally, the assembly is complete.

See fig 5

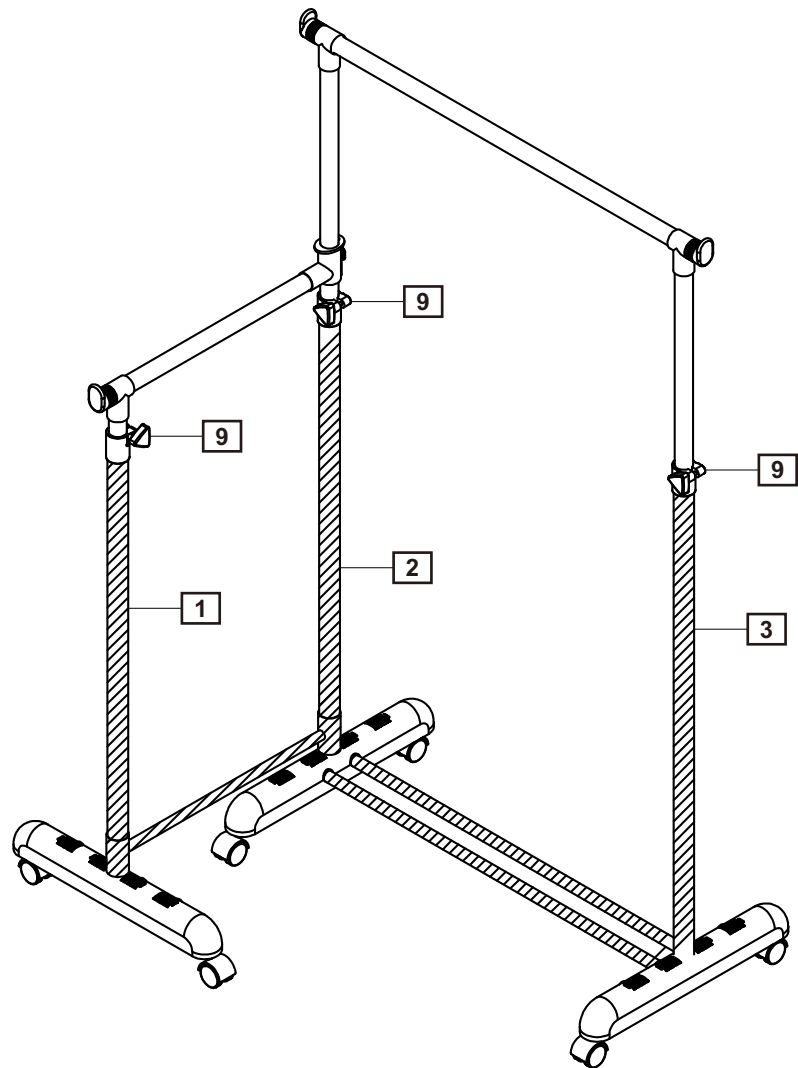


fig 5

**Important Note: The Maximun Safe Load for long rail is 15 kg and 5 kg for short rail. Evenly distributed.**

If you need help or have damaged or missing parts, call the **Customer Helpline: 03456 400800**