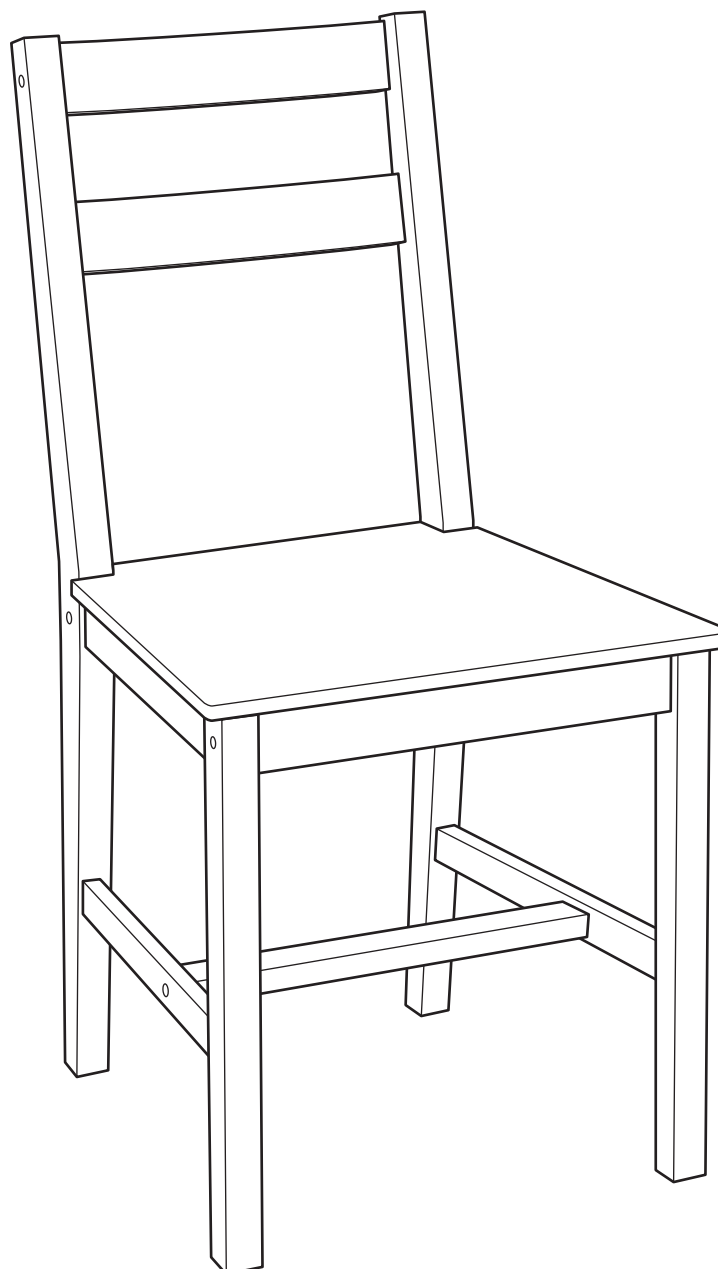


# Wow Raye Wooden Chair

Assembly Instructions - Please keep for future reference

322/5837

345/6307



## Dimensions

Width - 41.5cm  
Depth - 50cm  
Height - 85cm

**Important** - Please read these instructions fully before starting assembly

If you need help or have damaged or missing parts, call the **Customer Helpline:**  
**Argos = 0345 6400800**



# Safety and Care Advice

**Important** - Please read these instructions fully before starting assembly

- Check you have all the components and tools listed on the following pages.
- Remove all fittings from the plastic bags and separate them into their groups.
- Keep children and animals away from the work area, small parts could choke if swallowed.
- Make sure you have enough space to layout the parts before starting.
- During assembly do not stand

or put weight on the product, this could cause damage.

- Assemble the item as close to its final position (in the same room) as possible.
- Assemble on a soft level surface to avoid damaging the unit or your floor.
- Parts of the assembly will be easier with 2 people.
- Do not stand on the chair.
- Do not use this chair as step ladder.



• We do not recommend the use of power drill/drivers **for inserting screws**, as this could damage the unit. Only use hand screwdrivers.

- Unit weight: 3.04kgs.
- Maximum safe weight of user: 110kgs.

## Care and maintenance

- Only clean using a damp cloth and mild detergent, do not use bleach or abrasive cleaners.
- From time to time check that there are no loose screws on this unit.
- This product should not be discarded with household waste. Take to your local authority waste disposal centre.

## Handy Hints

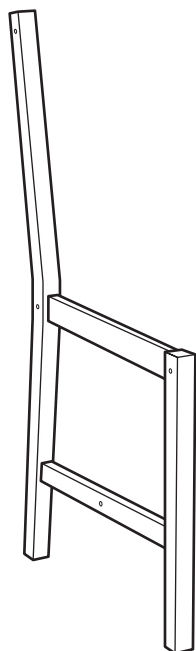
- Assemble all parts and bolts loosely during assembly, only once the product is complete should you fully tighten the bolts.
- Regularly check and ensure that all bolts and fittings are tightend properly.

# Components - Parts

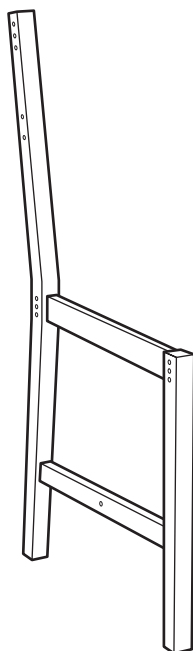
If you have damaged or missing components, call the **Customer Helpline: 0345 6400800**

Please check you have all the parts listed below

Note: The quantities below are the correct amount to complete the assembly of one chair.



**1** Left leg frame  
(43 x 85 x 3cm)



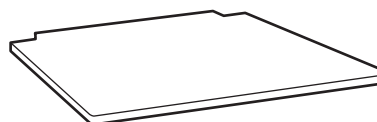
**2** Right leg frame  
(43 x 85 x 3cm)



**3** Back rest top rail  
(27 x 5 x 2.5cm)



**4** Back rest lower rail  
(27 x 5 x 2.5cm)



**5** Seat  
(41.5 x 41 x 1.3cm)



**6** Seat back rail  
(27 x 5 x 1.8cm)



**7** Seat front rail  
(34 x 5 x 1.8cm)

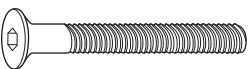

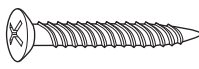
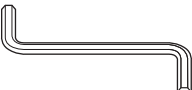


**8** Stretcher  
(32 x 2.8 x 1.8cm)

# Components - Fittings

Please check you have all the fittings listed below

Note: The quantities below are the correct amount to complete the assembly of one chair. In some cases more fittings may be supplied than are required.

<p><b>A</b> </p> <p>M6 x 70mm Bolt x 8</p>	<p><b>B</b> </p> <p>Wooden dowel x 16</p>	<p><b>C</b> </p> <p>Screw x 4</p>
<p><b>D</b> </p> <p>Allen key x 1</p>		

## Tools required



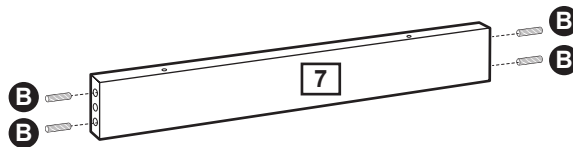
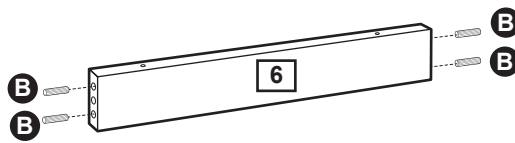
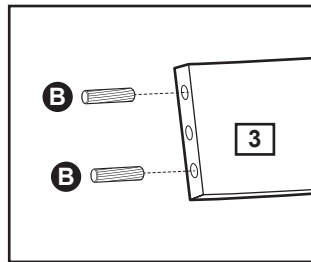
Crosshead screwdriver

# Assembly Instructions

## Step 1

### Fitting dowels

Insert wooden dowels **B** into holes on the backrest top rail **3**, backrest lower rail **4**, seat back rail **6** and seat front rail **7** as shown.



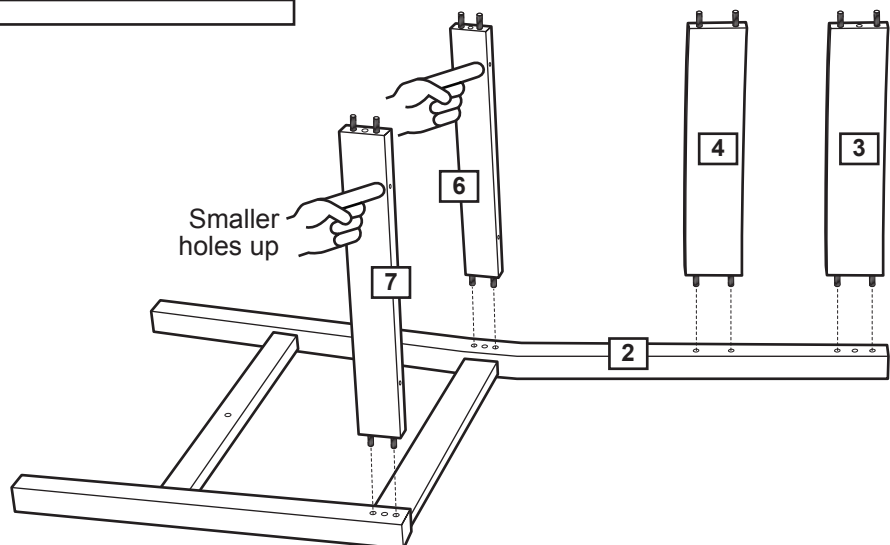
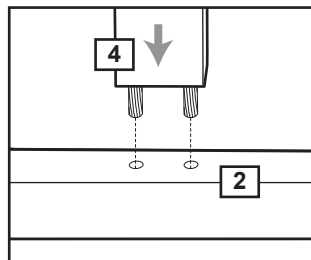
## Step 2

### Attaching back rest and rails

Position the backrest top rail **3**, backrest lower rail **4**, seat back rail **6** and seat front rail **7** on the right leg frame **2** and insert the wooden dowels into holes as shown.



**Important:** Make sure to position the front and back rails with the smaller screw holes up as shown.

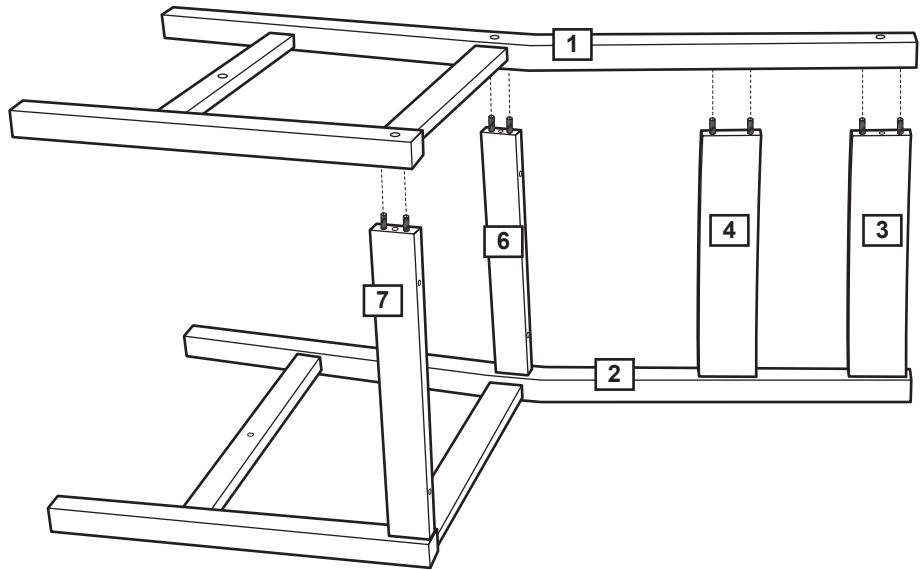


# Assembly Instructions

## Step 3

### Attaching left leg

Carefully position the left leg **1** as shown and with a help holding the rails and back rest, attach the left leg by inserting the wooden dowels into holes as shown.



## Step 4

### Securing the leg frames

**a:** Secure the leg frame **1** using bolts **A** as shown and tighten using allen key **D** but do not fully tighten at this stage.

Attach the stretcher **8** between the legs **1** & **2** as shown and secure using bolts **A**.

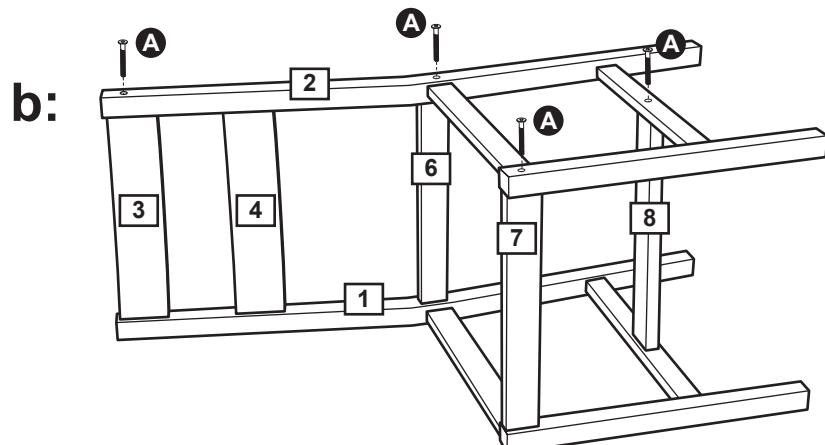
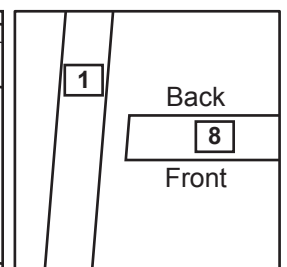
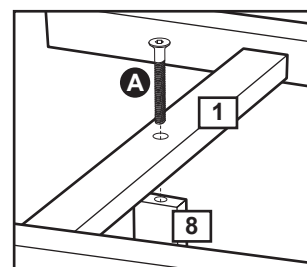
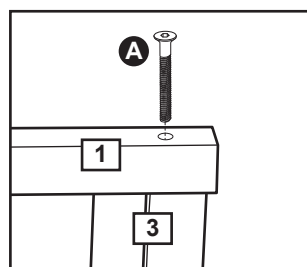
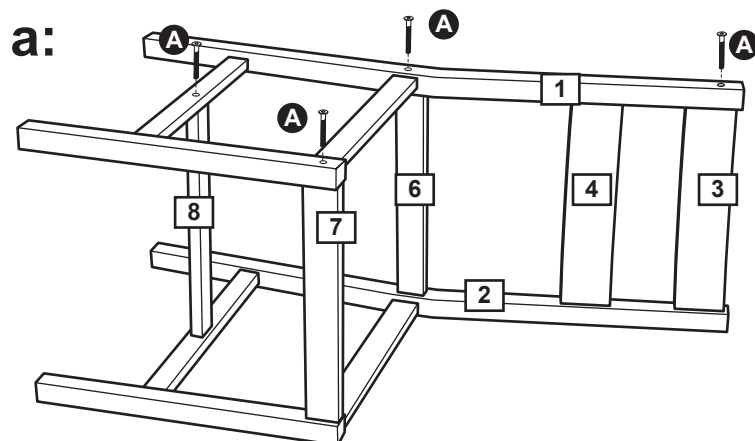
Fully tighten bolts using allen key **D**.



#### Important:

Make sure to position the stretcher **8** at an angle as shown in the inset diagram.

**b:** Carefully turn the chair frame on the other side to secure the leg frame **2** and the stretcher **8** using bolts **A** as shown and tighten using allen key **D**.



# Assembly Instructions

## Step 5

### Attaching seat

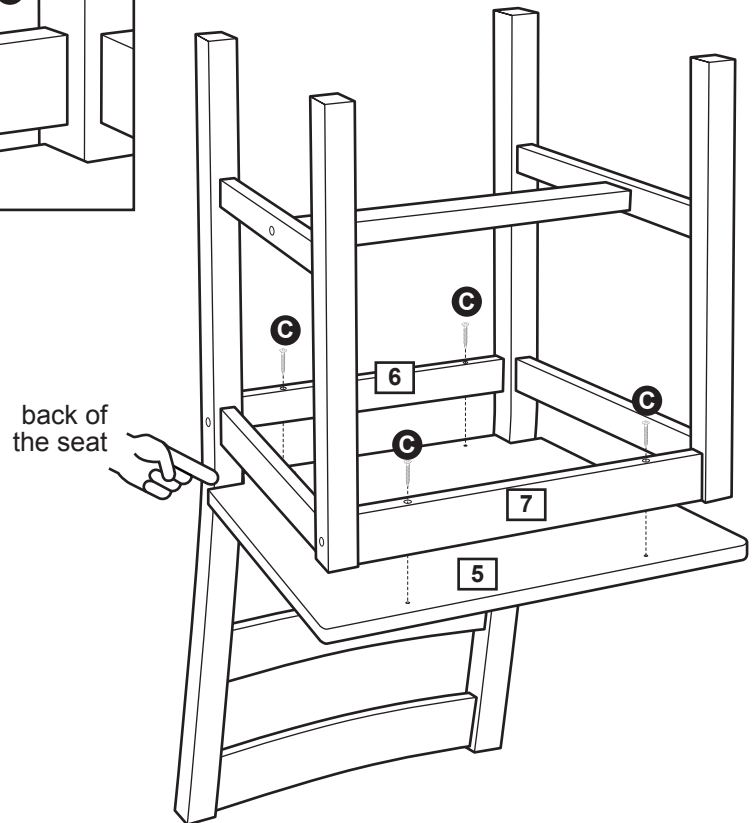
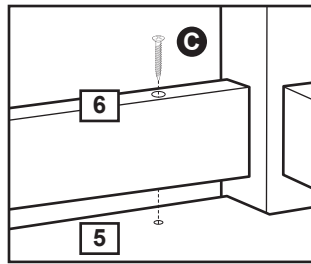
Position the seat **5** face down on a flat and raised surface such as a table.

Position the chair frame on the seat as shown then fix seat back rail **6** and seat front rail **7** to seat using screws **C**.

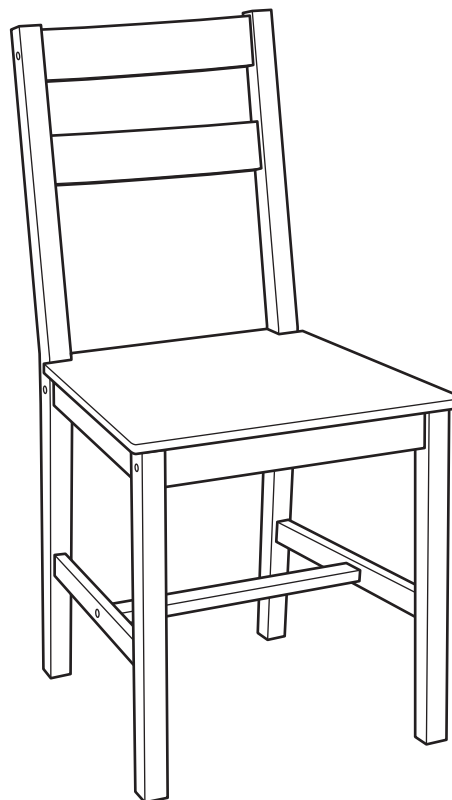
Tighten screws using a crosshead screwdriver.



**Important:**  
Make sure to correctly position the seat as shown in the diagram.



Carefully position the chair frame upright.



**Assembly is complete.**

If you need help or have damaged or missing parts, call the **Customer Helpline:**  
**Argos = 0345 6400800**

## Dear Customer

Please note that the product you have purchased is a natural living timber.

Just like nature itself, wood varies in shape and colour. Knots, vein patterns, resin pockets and colour differences contribute to giving the piece of furniture its beauty and form - a natural part of solid wood.

Although the tree has been cut down and dried, it is still alive and therefore will react to high and low temperatures, light, humidity, drought and time.

In cold and dry periods, the wood contracts which may lead to small cracks in the piece of furniture. The reverse happens in warm and humid periods where the wood expands and this may result in slight unevenness.

The colour of the wood also changes with time, particularly if the furniture is placed in a light place. This is a natural process and part of owning a piece of furniture made of solid wood.

Any flexing that has occurred during transport will re-correct itself once this product is correctly assembled.

Tighten all joints of the furniture after six months.

Please keep these instructions in a safe place for future use.