

cookworks

Personal Blender

Model No. UM1050S2N1-X



Care & Instruction Manual

For household and indoor use only

Please read these instructions before use and retain for future reference



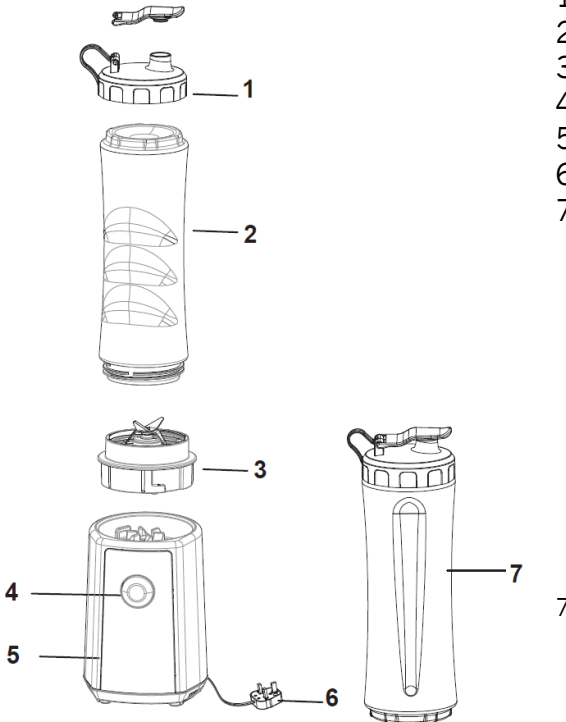
ELECTRICAL SAFETY

- You should only plug the appliance into a 220V-240V AC, 50Hz supply. Connecting it to other power sources may damage the appliance and will invalidate the guarantee.
- Switch off and unplug when not in use and before assembling, disassembling, changing accessories or cleaning the appliance.
- This appliance shall not be used by children. Keep the appliance and its cord out of reach of children.
- This appliance can be used by persons with reduced physical, sensory or mental capabilities or lack of experience and knowledge if they have been given supervision or instruction concerning use of the appliance in a safe way and understand the hazards involved.
- Children shall not play with the appliance.
- Keep motor housing, cable, and plug dry and away from areas where it is likely to get splashed. Never immerse in water.
- Do not cover or block the ventilation holes.
- Do not pull on the cable to disconnect from the mains supply.
- Do not operate the appliance if damaged or after it malfunctions. In the event the supply cord is damaged, in order to avoid a hazard it must only be replaced by a qualified service engineer, with a suitably approved part.
- This appliance must be positioned so that the plug is accessible and the plug socket is within easy reach of the power cord.

WARNING!

- This appliance is intended exclusively for use in domestic households. It is not suitable for commercial use.
- Only use with the parts supplied and fully assembled.
- Do not cover the personal blender and allow the motor housing it to cool fully before storing.
- All ingredients must be below 40°C when added to the blending jar.
- Never use hot liquids in the personal blender, always allow liquids to cool to room temperature before blending.
- Do not fill above maximum level marked (500ml).
- The blades are sharp; take care when removing from the blending jar and cleaning.
- This appliance can cause personal injury if misused.

PARTS

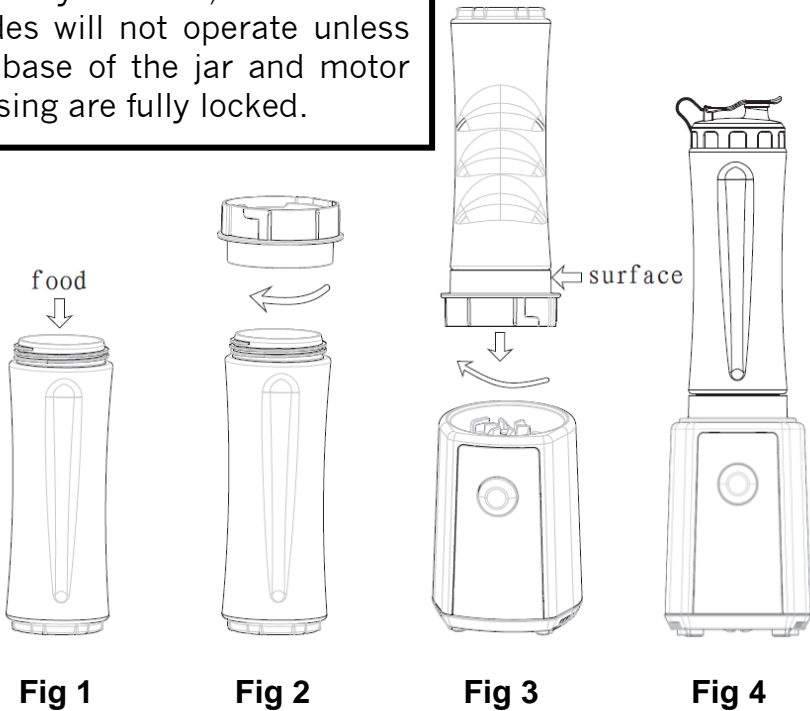


1. Lid with spout
2. Blending jar
3. Blade assembly
4. On/Off button
5. Motor housing
6. Power cord
7. Spare blending jar and lid

ASSEMBLY & USE

IMPORTANT:

Your blender is equipped with a safety feature, where the blades will not operate unless the base of the jar and motor housing are fully locked.



1. Remove the lid from the storage position at the end of the blending jar.
2. Clean all parts of the personal blender thoroughly before use.
3. Place the motor housing on a stable surface, fully unwind the cable and plug in.
4. Ensure all ingredients are at or below room temperature.
Never use hot ingredients.

ASSEMBLY & USE (CONTINUED)

5. Prepare the food (e.g. remove the peel, pips and stones from fruit, cores from pineapple etc.) and cut the fruit into 1-2cm pieces.
6. Place prepared fruit and/or vegetables into the blending jar (fig. 1).
7. Fit the blade assembly onto the jar and turn clockwise to secure (fig. 2). When fitting, grasp around the **side only** (fig. 5) – do not touch the blade or any part of the inner mechanism. Ensure the assembly is screwed on firmly; otherwise leakage or non-function may result.



Fig. 5

8. Invert the blending jar, align the black alignment mark (triangle symbol) on the blade assembly with the 'unlocked' padlock symbol and fit onto the motor housing. Turn clockwise firmly (fig. 3) until the alignment mark (triangle symbol) is **fully** aligned with the 'locked' padlock symbol. The blender is then ready to use (fig. 4).
9. Press and hold the ON / OFF button to start the blender working. Mix for a **maximum** of 1 minute.
10. Release the button to switch off; allow the blade to stop spinning before checking the consistency of the mix.

ASSEMBLY & USE (CONTINUED)

11. If the mix is not consistent, remove the blending jar from the motor housing and invert a few times before refitting and starting the blender operating again.
12. If satisfactory, remove the blending jar from the motor housing, invert the jar and twist the blade assembly anticlockwise and remove.
13. Screw the lid onto the blending jar for storage and transportation.
14. To stop or interrupt the blending process release the ON/OFF button or by turning off at the mains.

Notes:

- The motor housing is fitted with an interlock mechanism to prevent operation without the jar in place. **In the event the motor does not operate**, re-check steps 7 and 8 above have been followed correctly.
- For the best taste and nutritional value use fresh fruit and drink the juice soon after preparing.
- Peel foods with thick and bitter skins (e.g. citrus fruit, banana), remove seeds, pips and stones (e.g. melons, plums etc.) and hard cores (e.g. pineapple) to prevent damage to the blades and for smooth drinks.
- If using fruits with high starch or fibre content (e.g. bananas, mangos etc.) ensure a liquid (e.g. proprietary fruit juice) is added to aid blending.
- A few small ice cubes or frozen summer fruits may be added to the blending container for incorporation into the drink.
- This personal blender can also be used to make milkshakes, cocktails, batters etc.

CLEANING

Clean the personal blender after each use.

1. Switch off and unplug.
2. The inside of the personal blender can be rinsed between fruits or partially cleaned before carrying out a full clean. To rinse, fill the blending jar with a small quantity of water and operate the personal blender as normal. Discard the liquid.
3. The blades are sharp, take care when removing from the blending jar and cleaning. Rinse the blades (not the underside of the assembly) with hot water with a little washing up liquid. Rinse and wipe dry.
4. The blending jar and lid and stopper may be washed in hot water with a little washing up liquid. Rinse and wipe dry. The blending jar and lid are suitable for use in dishwashers, but the blade assembly is not.
5. Wipe the outside of the motor housing with a damp cloth; do not use detergent or abrasives as these may scratch the surface. Never immerse the motor housing, cable or plug in water.

TECHNICAL SPECIFICATION

Cookworks Personal Blender	
Model no	UM1050S2N1-X
Rated Voltage & Frequency	220 – 240V AC 50/60Hz
Rated Power Input	300W
Capacity	500ml
Maximum work time	1 minute
Class rating	2 (Double insulated)
BS 1362 fuse	3A
Product dimensions (external)	114 x 112 x 347 mm
Product weight (net)	1.27 kg approx.



RECYCLING ELECTRICAL PRODUCTS

You should now recycle your waste electrical goods and in doing so help the environment.

This symbol means an electrical product should not be disposed of with normal household waste. Please ensure it is taken to a suitable facility for disposal when finished with.

Visit www.recycle-more.co.uk, click on “bank locator” and enter your postcode to find your nearest recycling site.



PLUG / WIRING ADVICE

The wires in this mains lead are coloured in accordance with the following UK electrical code:

BLUE = NEUTRAL

BROWN = LIVE

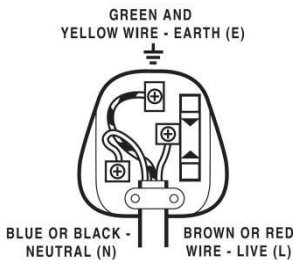
GREEN + YELLOW = EARTH

Non-rewireable plug

This appliance may be fitted with a “non-rewireable” plug. If you need to change the fuse in a “non-rewireable” plug, the fuse cover must be refitted. If the fuse cover is lost or damaged, the appliance must not be used.

Rewireable plug

The colours of the wires in the mains lead of this appliance may not correspond with the coloured markings identifying the terminals in a rewireable plug. **Rewireable plugs should only be replaced by a suitably competent person. If in doubt, consult a qualified electrician.**



The BLUE wire must be connected to the terminal marked with the letter N

The BROWN wire must be connected to the terminal marked with the letter L

The GREEN & YELLOW wire must be connecting to the terminal marked with the letter E or the earth symbol ⊕.

Produced in China.

Argos Limited, 489-499 Avebury Boulevard, Milton Keynes, MK9 2NW.

Argos (N.I.) Ltd, Forestside Shopping Centre, Upper Galwally, Belfast, United Kingdom, BT8 6FX.

Argos Distributors (Ireland) Limited, Unit 7, Ashbourne Retail Park, Ballybin Road, Ashbourne, County Meath, Ireland

www.argos.co.uk/cookworks

Tel: 0345 640 3030



PRODUCT GUARANTEE

This product is guaranteed against manufacturing defects for a period of



Year

This product is guaranteed for twelve months from the date of original purchase.

Any defect that arises due to faulty materials or workmanship will either be replaced, refunded or repaired free of charge where possible during this period by the dealer from whom you purchased the unit.

The guarantee is subject to the following provisions:

- The guarantee does not cover accidental damage, misuse, cabinet parts, knobs or consumable items.
- The product must be correctly installed and operated in accordance with the instructions contained in this manual. A replacement copy of this instruction manual can be obtained from www.argos-support.co.uk
- It must be used solely for domestic purpose.
- The guarantee will be rendered invalid if the product is re-sold or has been damaged by inexpert repair.
- Specifications are subject to change without notice.
- The manufacturer disclaims any liability for the incidental or consequential damages.
- The guarantee is in addition to, and does not diminish your statutory or legal rights.

Guarantor: Argos Ltd
489 - 499 Avebury Boulevard
Central Milton Keynes
MK9 2NW
www.argos-support.co.uk

