

MID BACK GAMING CHAIR BLK

Assembly Instructions - Please keep for future reference

608/8734

724/8353

703/7265

709/4909

H O
M E
BY ARGOS



Dimensions

Width-54cm
Depth-62cm
Height-95.5-107cm

Important – Please read these instructions fully before starting assembly

If you need help or have damaged or missing parts, call the Argos Aftersales Helpline 0345 640 0800



Safety and Care Advice

Important – Please read these instructions fully before starting assembly

- Check you have all the components and tools listed on pages 3 and 4.
- Remove all fittings from the plastic bags and separate them into their groups.
- Keep children and animals away from the work area, small parts could choke if swallowed.
- Make sure you have enough space to layout the parts before starting.

- Do not stand or put weight on the product during assembly, this could cause damage.
- Assemble the item as close to its final position (in the same room) as possible.
- Assemble on a soft level surface to avoid damaging the unit or your floor.
- Parts of the assembly will be easier with 2 people.



- We do not recommend the use of power drill/drivers **for inserting screws**, as this could damage the unit. Only use hand screwdrivers.
- Dispose of all packaging carefully and responsibly.

Care and maintenance

- From time to time check that there are no loose screws on this unit.
- To avoid any risk of suffocation to animals or children dispose of the plastic bags immediately.
- As with all surfaces clean with a damp cloth and mild detergent, do not use bleach or abrasive products.
- This product should not be discarded with household waste. Take to your local authority waste disposal centre.

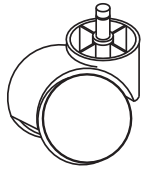
Safety during use

- Do not stand on this chair. Do not use this chair as a step ladder.
- Use this product only for seating one person at a time.
- Do not use this chair unless all bolts, screws and knobs are firmly secured.
- At least every 4 months, check all bolts, screws and knobs, to be sure they are tight.
- If parts are missing, broken or damaged or worn, stop use of this product until repairs are made & using factory authorized parts.
- Failure to follow these warnings could result in serious injury.

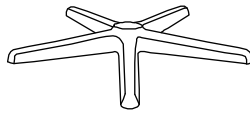
Note: if required the next page can be cut out and used as reference throughout the assembly. Keep this page with these instructions for future reference.

Components - Parts

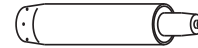
Please check you have all the parts listed below



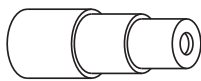
1 Castors X5



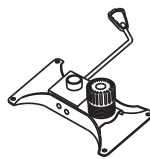
2 Base X1



3 Gas lift X1(120MM)



4 Gas lift cover X1



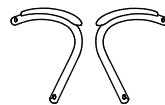
5 Seat plate X1



6 Backrest X1



7 Seat X1









8 Armrest X2

Components - Fittings

If you need help or have damaged or missing parts, call the Argos Aftersales Helpline 0345 640 0800

Please check you have all the fittings listed below.

Note: The quantities below are the correct amount to complete the assembly.
In some cases more fittings may be supplied than are required.

A  M6*20mmL*4	B  M8*30mmL*4	C  M8*35mmL*4
D  Φ6*Φ18mmL*4	E  Φ8*Φ18mmL*4	F  *4

Tools required



M6 Allen key (supplied)

Ruler - Use this ruler to help correctly identify the screws



Assembly Instructions

Step 1

Fitting the base

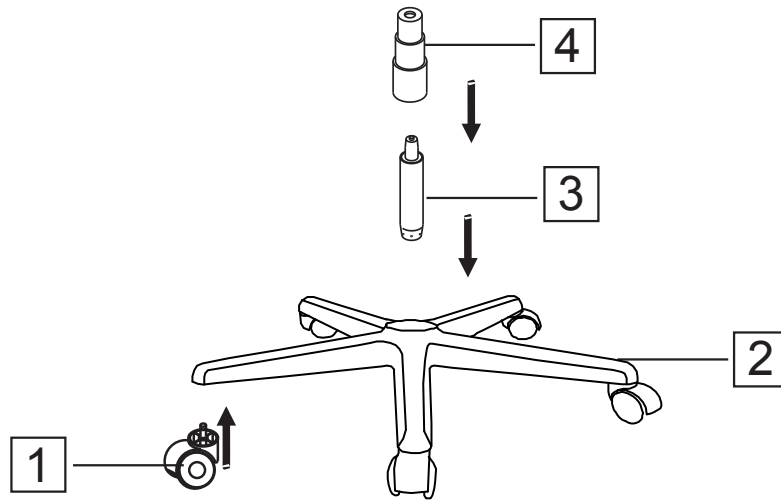
a: Push all the five castors **1** into the underside of the base **2**.

NOTE: Ensure all the castors are firmly located on the base.

b: Insert the gas lift **3** into the base **2**.

c: Put the gas lift cover **4** on the gas lift **3**.

NOTE: Ensure the gas lift is fully inserted and well fitted.

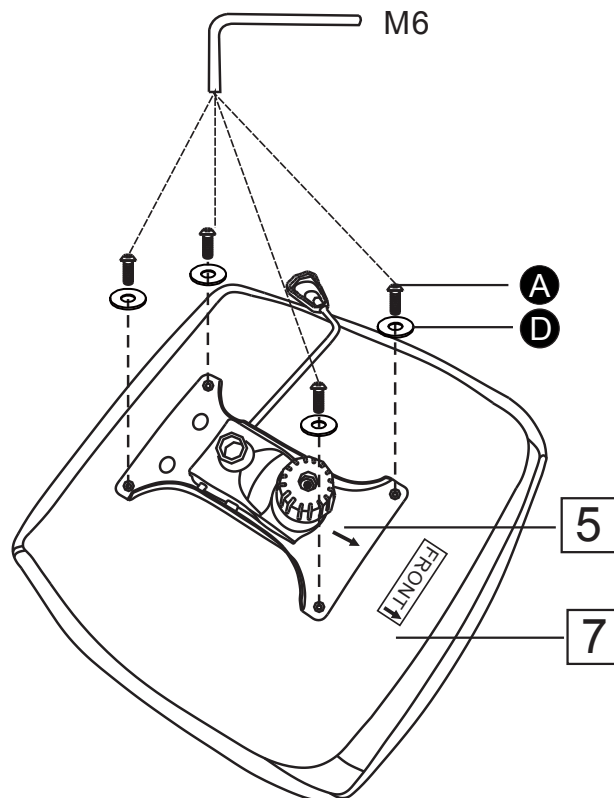


Step 2

Fitting the Seat Cushion

Use bolts **A** with washer **D** to fix the seat plate **5** onto the seat **7**.

NOTE: It would be useful to ask someone to help you at this stage.

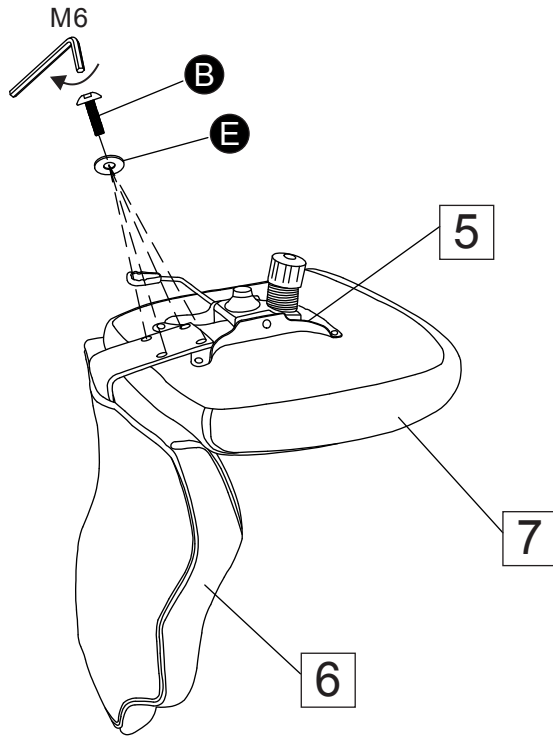


Assembly Instructions

Step 3

Fitting the backrest with seat

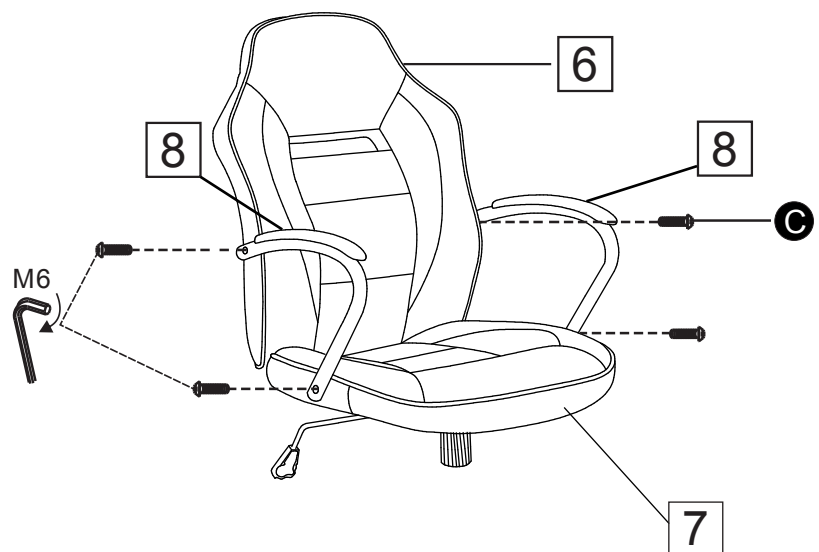
Use bolts **B** with washer **E** to fix the back **6** onto the seat plate **5**



Step 4

Fitting the armrest

Flip the armrest up and use bolts **C** to fix the armrest **8** on backrest **6** and seat **7**

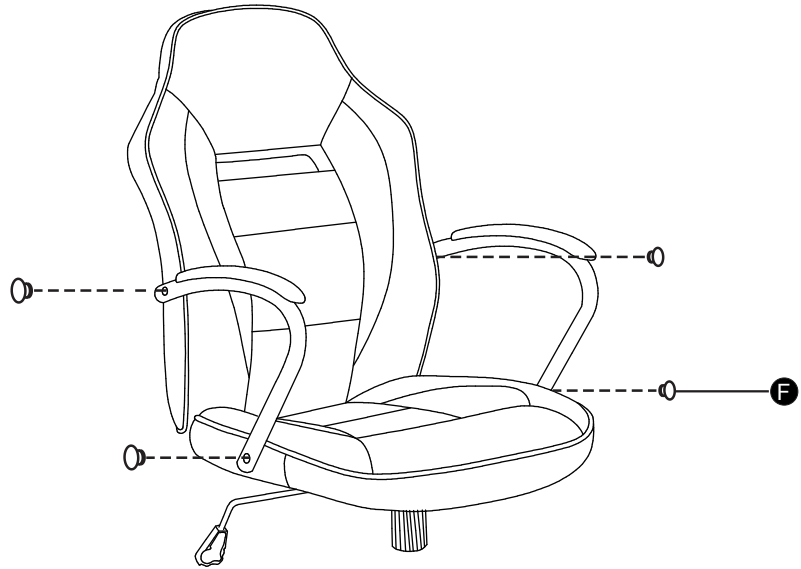


Assembly Instructions

Step 5

Fitting the armrest screw cap

Put the cap **F** into the hole of armrest **8**



Step 6

Fitting the Unit

Carefully locate the seat **7** onto the base unit.

Note: adding M6 Allen key is to help customer to prevent armrest loosen.



Assembly Instructions

Step 7

Finishing the Unit

Carefully place the unit in the desired location.

Assembly is complete.



If you need help or have damaged or missing parts, call the Argos Aftersales Helpline 0345 640 0800
489-499 Avebury Boulevard Milton Keynes Mk9 2NW, Argos Limited