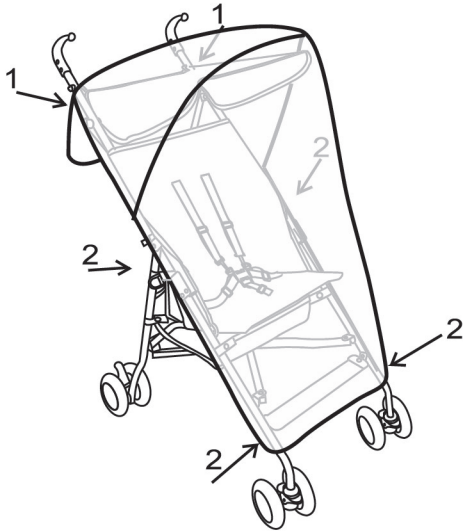


CUGGL UNIVERSAL RAINCOVER

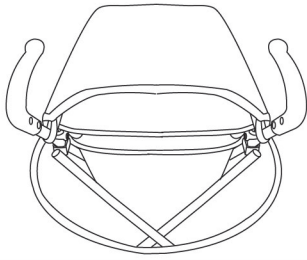


* High quality PVC resistant to cracking in cold weather

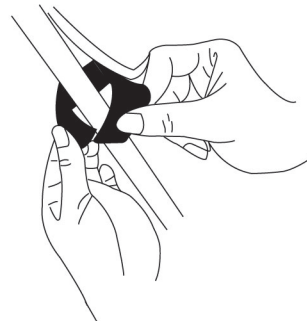
* All-in-one easy folding action

FITTING INSTRUCTIONS

1. Put the handle into the two holes of the rain cover.



2. Fix the Velcro to corresponding position of the tube.



IMPORTANT WARNING

This cover is for outdoor use only and should have adult supervision at all times when in use. The cover must be folded back if the child is to remain in the pushchair when taken indoors, and in warm sunny weather otherwise it could cause a hazard to the child's health.

Ensure your child's fingers are clear of the frame when folding back the raincover. The scissor action of folding can trap small fingers.

Customer Care Team

Produced in China. Argos Limited, 489.499 Avebury Boulevard, Milton Keynes, MK9 2NW. Argos(N.I.) Ltd, Forestside Shopping Centre, Upper Galwally, Belfast, United Kingdom, BT8 6FX
Argos Distributors(Ireland) Limited, Unit 7, Ashbourne Retail Park, BallybinRoad, Ashbourne, County Meath, Ireland
TEL 0345 640 2020
www.argos.co.uk/cuggl

CARE OF YOUR RAINCOVER

If storing the raincover in a boot during warm weather, remove from Pushchair and ensure nothing is placed on top of it, otherwise the frame may distort. Use water and a mild detergent.

To fit small pushchairs and buggies with or without adjustable backs. Please retain for future reference.