



VOLT XT ELECTRIC SCOOTER QUICK START GUIDE



info@hy-pro.co.uk
Hy-Pro Customer care line
Tel: 0800 731 0006
Made in China

BATTERY INFORMATION

Batteries have a capacity memory which is why the initial charge is very important for this product. The initial charge will be memorised, therefore ZINC would like to remind you:

PLEASE CHARGE YOUR SCOOTER for a minimum of 12hrs for the first time.

To prolong the life of the battery in this scooter, please ensure you charge your scooter every two weeks even if it has not been used.

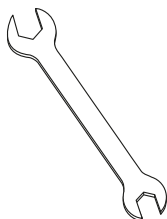
Before assembly:

1. Ensure you have all the required tools:

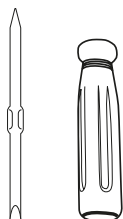


2 x 4mm
Hex wrench
(Included)

1 x 3mm
Hex wrench
(Included)



13mm spanner
17mm spanner
(Not included)



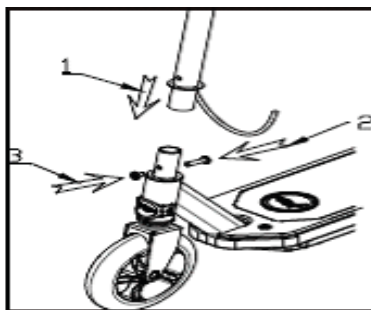
Phillips Screwdriver
(Not included)

Please retain for future reference



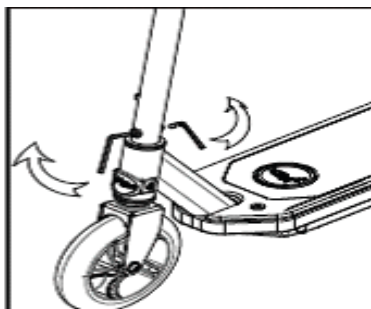
STEP 1

Align the steering post as shown below and push it onto the scooter base. Ensure the holes on the inner and outer tubes line up. The thumb trigger on the handlebars should be on the right hand side.



STEP 2

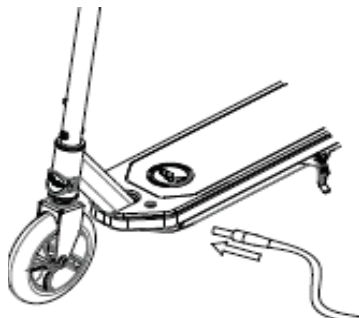
Insert a pair of socket hexagon round flat head nut and bolt into the lock hole, as indicated below, and tighten them using two 4mm hex wrenches.



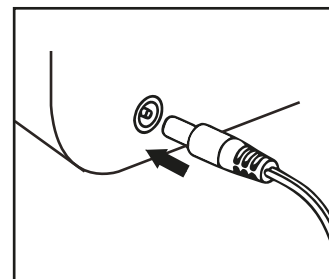
STEP 3

Charging the battery

Make sure power switch is in the OFF position before plugging in the charger. Insert charger into the charging port on the left side of the battery box.



STEP 4



Plug the charger into a wall power outlet. The light on the charger housing should illuminate. Red LED light indicates battery is charging and a green LED light indicates battery is fully charged.

The scooter MUST ALWAYS be switched OFF while being charged

Your electric scooter will not have a fully charged battery.

Initial battery charge time: 12 hours/ overnight, initial battery charge time and at least 5 hours should be allowed each time after.

Runtime: up to 60 minutes run time

Recharge time: at least 5 hours after the initial 12 hours charge time.

Warning! Controller will auto cut the circuit if overloaded / steep slope to protect the motor. The scooter will automatically recover after 30 seconds.

STEP 5

Replacing/tightening the accelerator grip

1. Unscrew and slide out the handle grip.
2. Replace the metal ring.
3. Insert the handle grip and align the holes.
4. Insert and tighten the screw.

