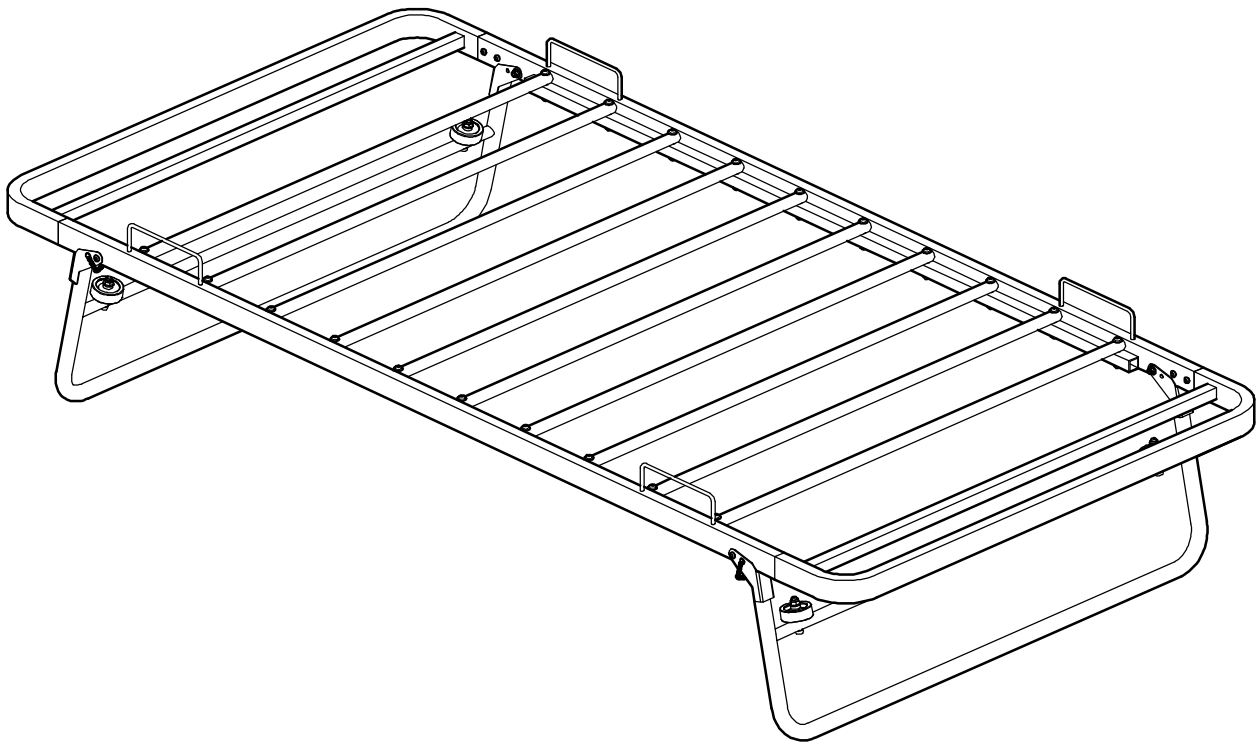


Atlas Guest Bed

Assembly Instructions - Please keep for future reference

665/7031

692/5024



Dimensions

Width - 93cm

Depth - 191cm

Height - 34cm

Important – Please read these instructions fully before starting assembly

If you need help or have damaged or missing parts, call the **Customer Helpline: 0845 6400800**



Safety and Care Advice

Important – Please read these instructions fully before starting assembly

- Check you have all the components and tools listed on pages 2 and 3.
- Remove all fittings from the plastic bags and separate them into their groups.
- Keep children and animals away from the work area, small parts could choke if swallowed.
- Make sure you have enough space to layout the parts before starting.

- As you unpack and prepare for assembly, clear an area for assembly. The parts should be placed on a carpeted or padded area to protect them from damage.
- Parts of the assembly will be easier with 2 people.
- Do not discard any of the packaging until you have checked that you have all the parts and pack of fittings.



- We do not recommend the use of power drill/drivers **for inserting screws**, as this could damage the unit. Only use hand screwdrivers.
- To ensure an easier assembly, we strongly advise that all fittings are only finger tightened during initial assembly. Only upon completion of the assembly should all fixing points be fully tightened.

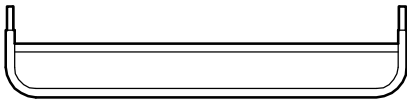
Care and maintenance

- Only clean using a damp cloth and mild detergent, do not use bleach or abrasive cleaners.
- From time to time check that there are no loose screws on this unit.
- This product should not be discarded with household waste. Take to your local authority waste disposal centre.

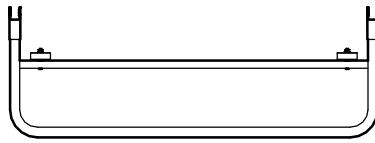
Components - Panels

If you have damaged or missing components, call the **Customer Helpline: 0845 6400800**

Please check you have all the panels listed below



1 End x 2 (93 x 21cm)



2 Leg x 2 (93.5 x 33.1cm)



3 Side rail (160 x 9cm)



4 Side rail (160x9cm)


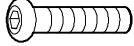
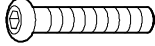







5 Slat x 10 (dia1.9x88.6cm)

Components - Fittings

Please check you have all the fittings listed below

Note: The quantities below are the correct amount to complete the assembly. In some cases more fittings may be supplied than are required.

A  17mm Bolt x 8	B  37mm Bolt x 4	C  48mm Bolt x 20
D  Plain washer x 44	E  Nut x 4	F  Cap nut x 20
G  Hex key x 1	H  Wrench x 1	

Ruler - Use this ruler to help correctly identify the screws

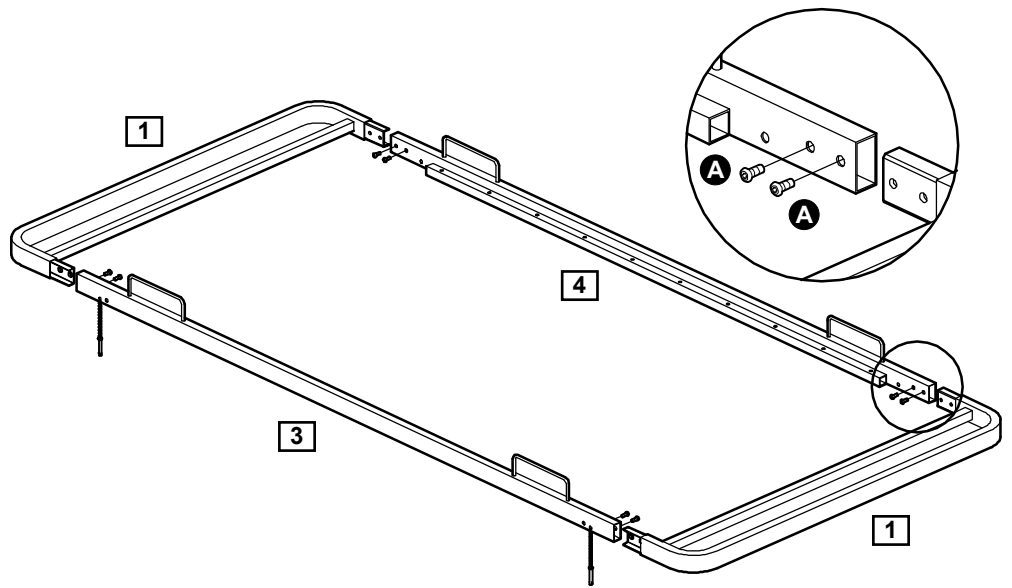


Assembly Instructions

Step 1

Assemble ends

Assemble ends **1** to side rails **3** and **4** using bolts **A**.



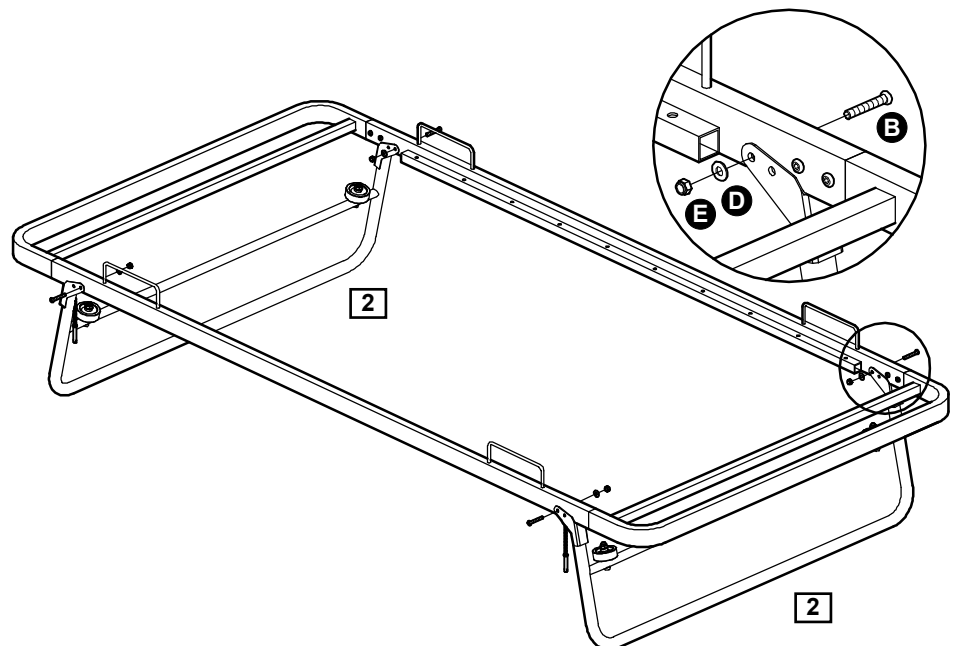
Step 2

Assemble legs

Two people are needed here.

Assemble legs **2** to side rails using bolts **B**, plain washers **D** and nuts **E**.

Note: Do not tighten bolts.



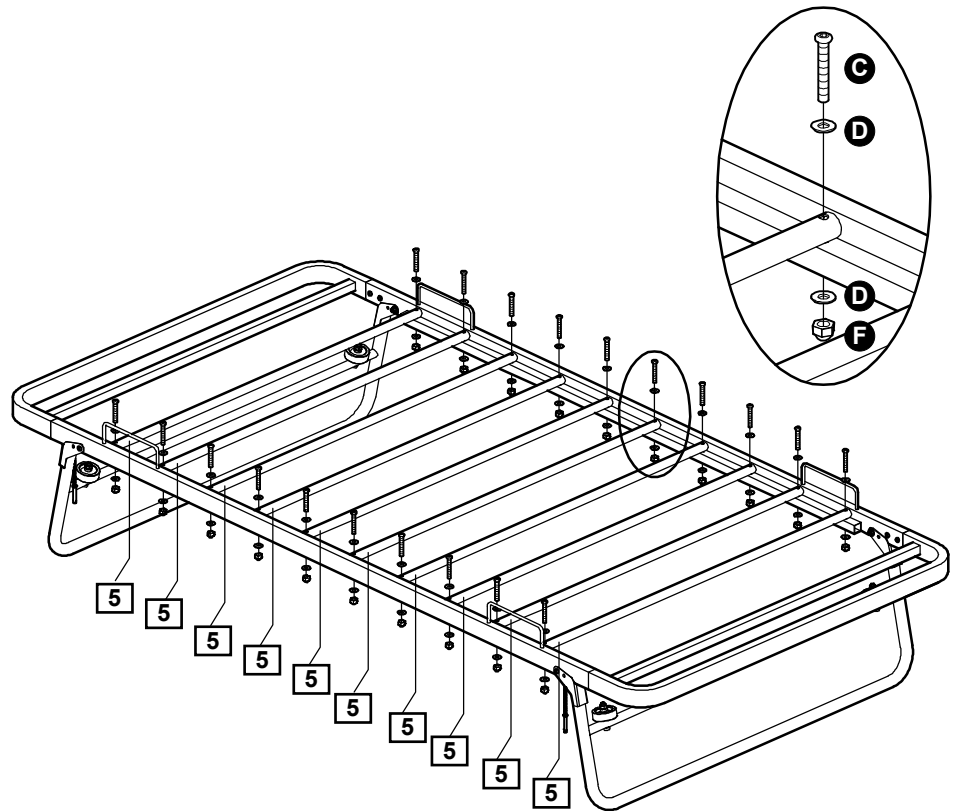
Assembly Instructions

Step 3

Assemble slats

Assemble slats **5** to the unit using bolts **C**, plain washers **D** and cap nuts **F**.

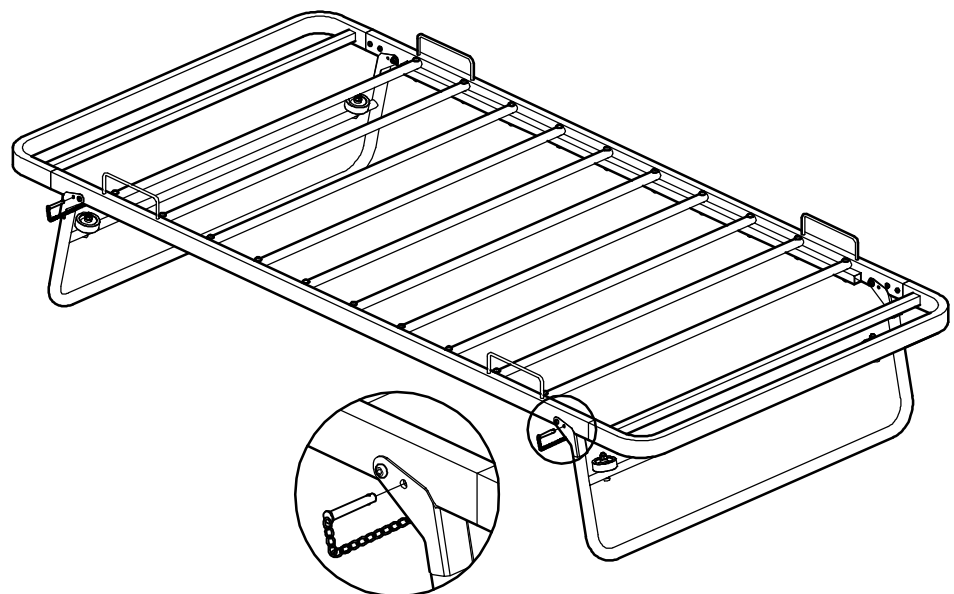
Note: Re-tighten all the bolts.



Caution:

Ensure the locking pins are inserted into the holes when in use. Failure to do so could cause a hazard.

Assembly is complete.



If you need help or have damaged or missing parts, call the **Customer Helpline: 0845 6400800**