

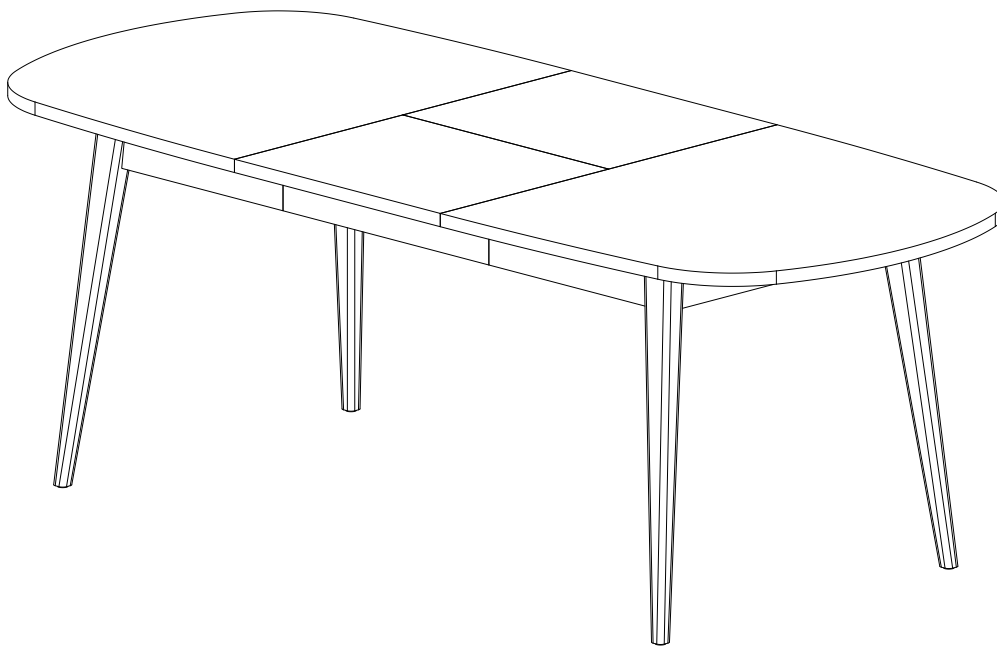
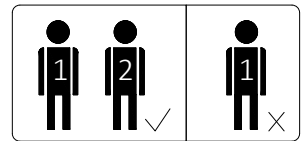
Etta Extending Dining Table

Assembly Instructions - Please keep for future reference

ETTA_ED-AW18-A

Dimensions

Width
-160(215)cm
Depth - 90cm
Height - 75cm



Important - Please read these instructions before assembly

If you need help or have damaged or missing parts, email:
customerservices@habitat.co.uk or call: 0344 499 4686

habitat 

Safety and Care Advice

Important - Please read these instructions fully before starting assembly

Check you have all the components and tools listed on the front cover and pages 3 - 4.

Remove all fittings from the plastic bags and separate them into their groups.

Keep children and animals away from the work area, small parts could choke if swallowed.

Make sure you have enough space to layout the parts before starting.

Do not stand or put weight on the product, this could cause damage.

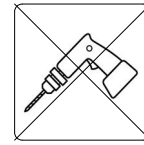
Assemble the item as close to its final position (in the same room) as possible.

Do not place furniture directly in front of radiators, fires or any other source of heat.



Parts of the assembly will be easier with 2 people.

Assemble on a soft level surface to avoid damaging the unit or your floor.



We do not recommend the use of power drill/drivers for inserting screws, as this could

damage the unit. Only use hand screwdrivers.

Dispose of all packaging carefully and responsibly.

General care

Take care when moving furniture - dragging it across the floor will loosen and damage the joints. Always lift and move.

From time to time check that there are no loose fittings. Tighten as necessary.

Avoid exposing your furniture to direct and prolonged periods of sunlight and heat sources as fading and cracking may occur.

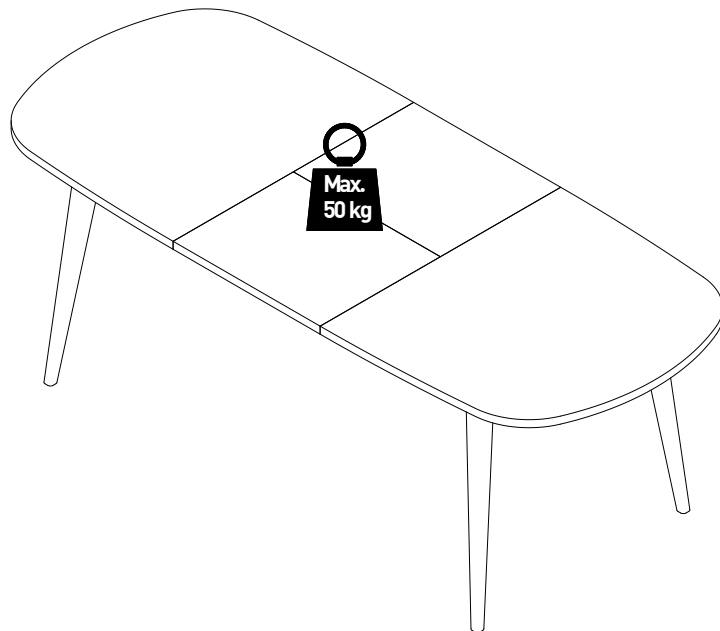
Take care to prevent sharp objects e.g. toys, buckles and heels from coming into contact with your furniture, and avoid contact with chemicals e.g. cosmetics or hair products which may permanently mark the surface.

Cleaning and care

Dust regularly with a clean dry cloth.
Wipe up any spills immediately with a damp cloth and then dry the surface with a clean dry duster.
Repeat this procedure for periodic cleaning.
Remove stubborn stains with a weak washing up liquid solution and a damp cloth and dry after with a clean cloth.
The use of furniture polish or spray is not necessary or recommended.
Never use abrasive or corrosive cleaning agents.
Always use place mats and coasters to protect the surface from moisture and heat.

Maximum weight limit

Important : Recommended maximum loading



General information

If for any reason you should have problems with your Habitat product, please contact the store from which you purchased it.

Please retain your receipt as proof of purchase.


If you have any comments or suggestions regarding this product, assembly instructions or service

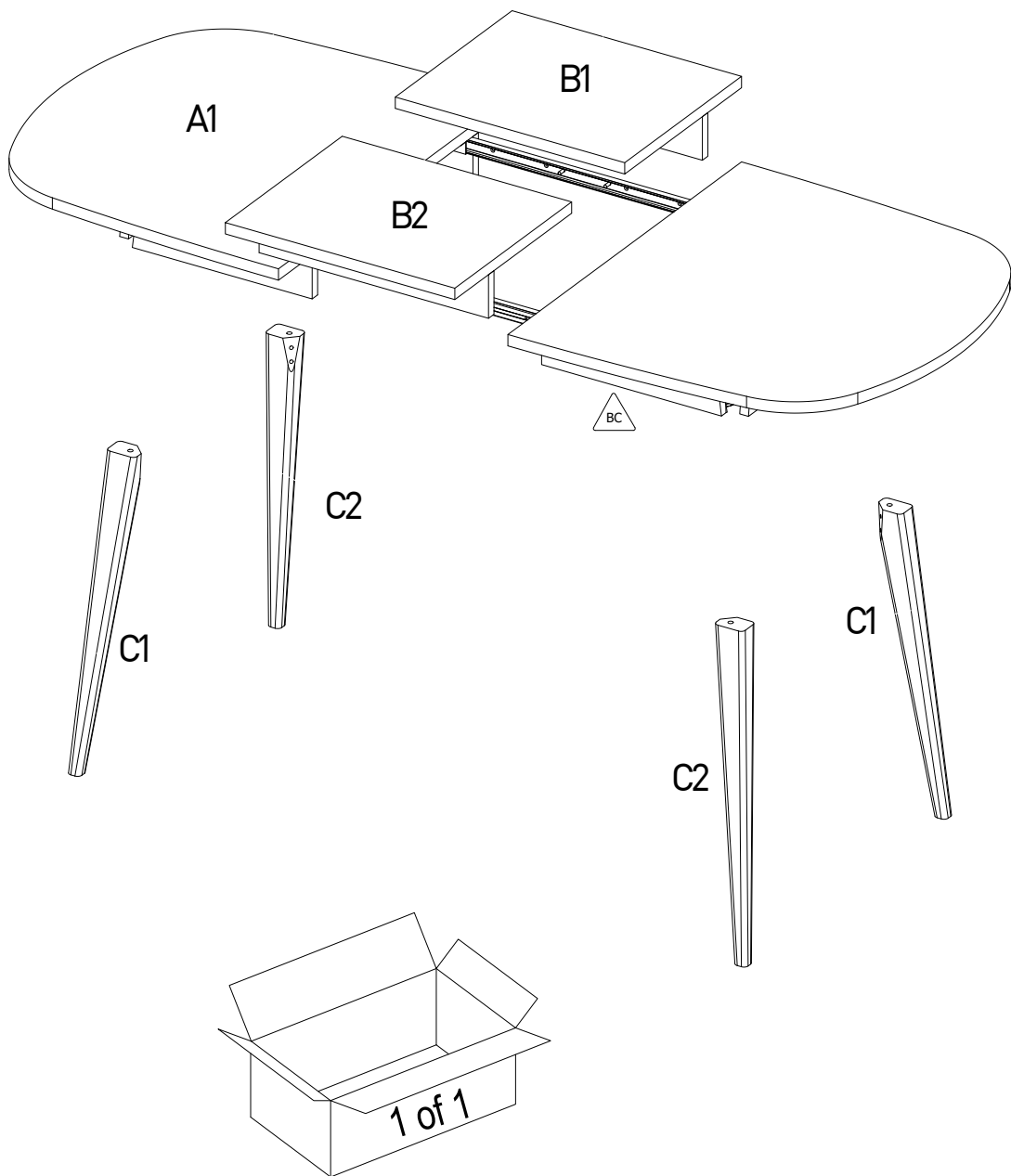
received, please contact the store or Habitat Head Office via its web site: www.habitat.co.uk or write directly to: **Habitat Retail Ltd. 489-499 Avebury Boulevard, Milton Keynes MK9 2NW**

Components - Panels

If you need help or have damaged or missing parts, email: customerservices@habitat.co.uk or call: 0344 499 4686

Please check you have all the panels listed below

 **BC Note:** There are 'Batch Code' labels where shown on the indicated items, these should be retained.

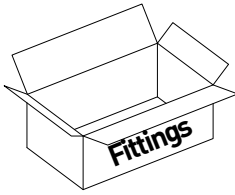


Components - Fittings

If you need help or have damaged or missing parts, email: customerservices@habitat.co.uk or call: 0344 499 4686

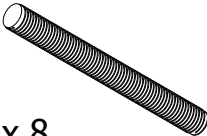


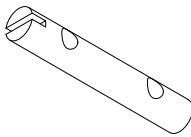


Please check you have all the panels listed below

Note: The quantities below are the correct amount to complete the assembly. In some cases more fittings may be supplied than are required.



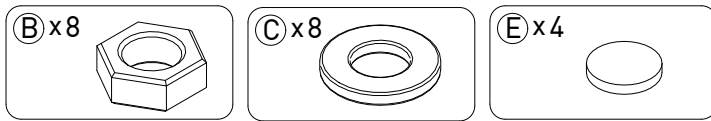
Ruler - To help correctly identify the fittings



<p>Ⓐ</p>  <p>Screws x 8 M8x60</p>	<p>Ⓑ</p>  <p>Nut x 8</p>	<p>Ⓒ</p>  <p>Washer x 8</p>
<p>Ⓓ</p>  <p>Nut x 4</p>	<p>Ⓔ</p>  <p>Felt x 6</p>	<p>Ⓕ</p>  <p>Key x 1</p>

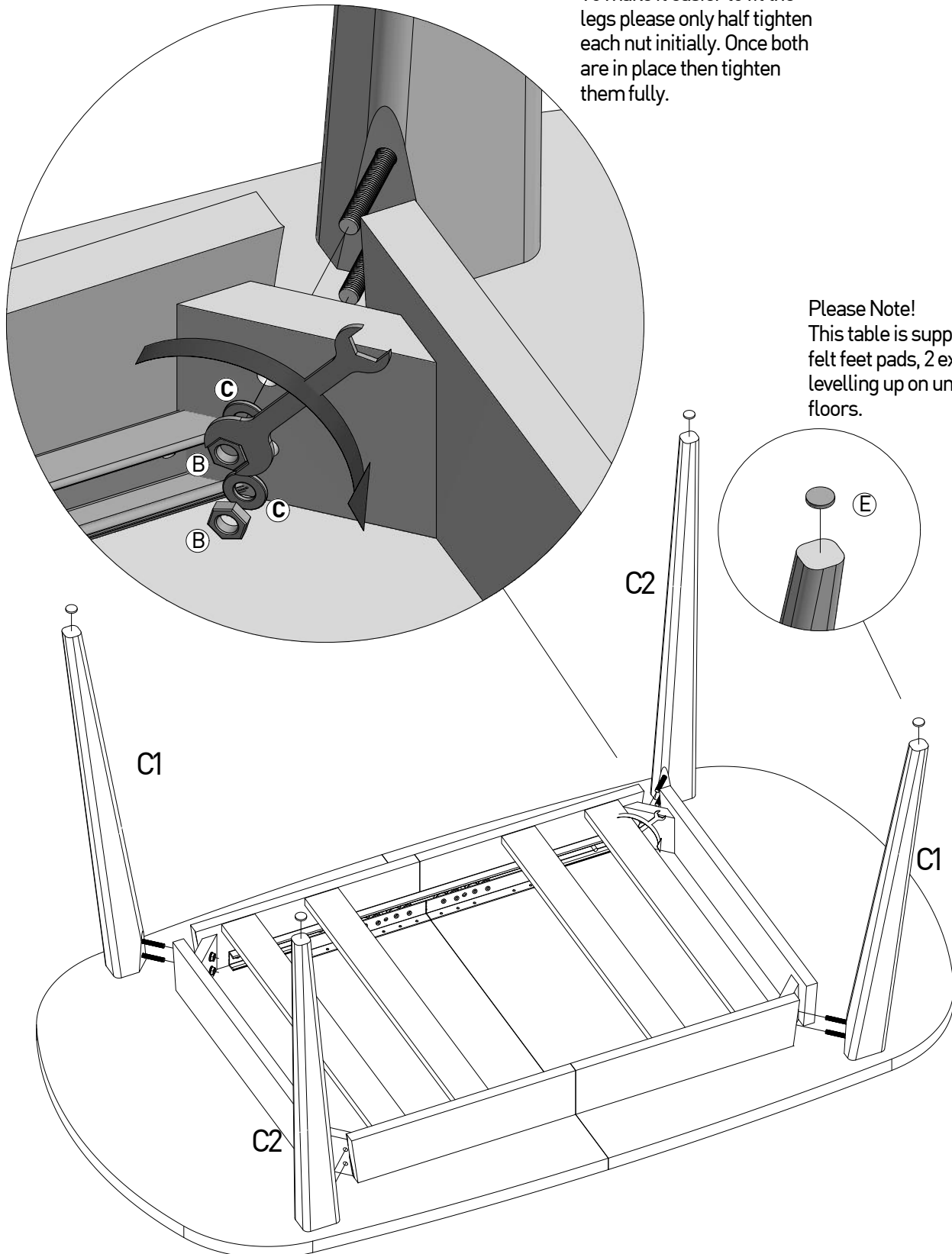
Assembly Instructions

Step 2



Please Note!
To make it easier to fit the legs please only half tighten each nut initially. Once both are in place then tighten them fully.

Please Note!
This table is supplied with 6 felt feet pads, 2 extra for levelling up on uneven floors.

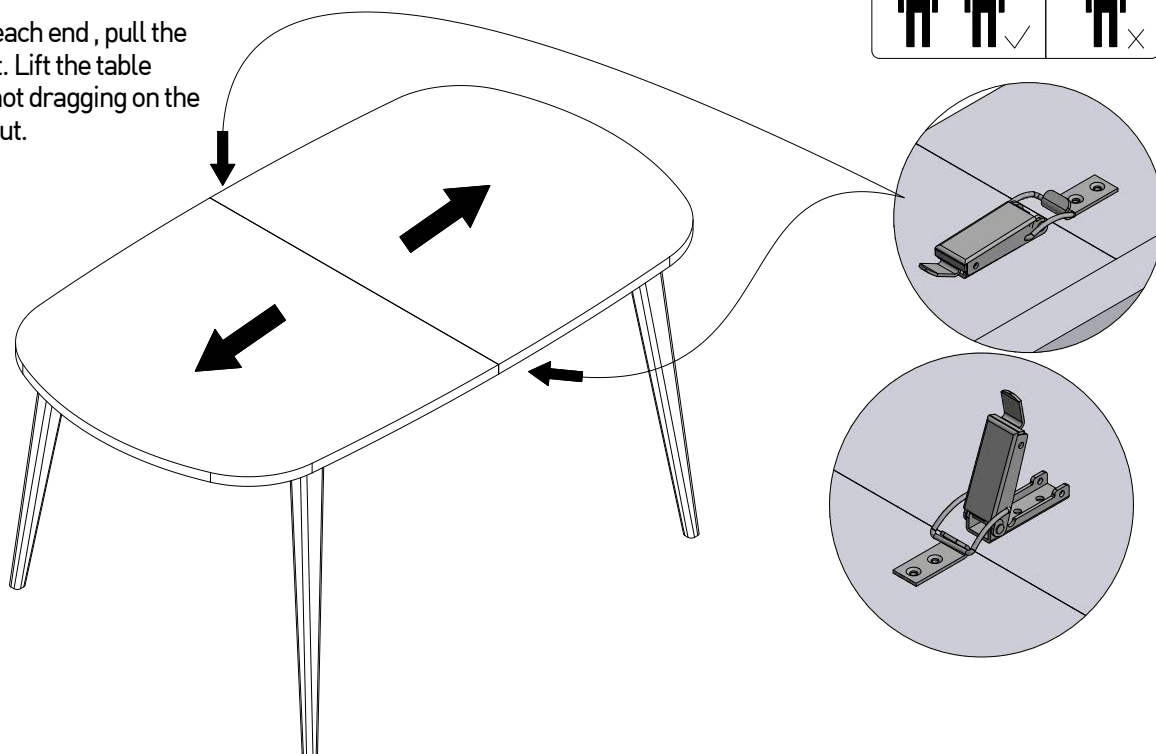
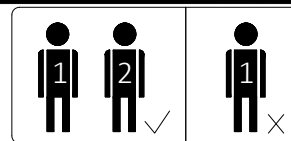


Assembly Instructions

Step 3 - Extending the table

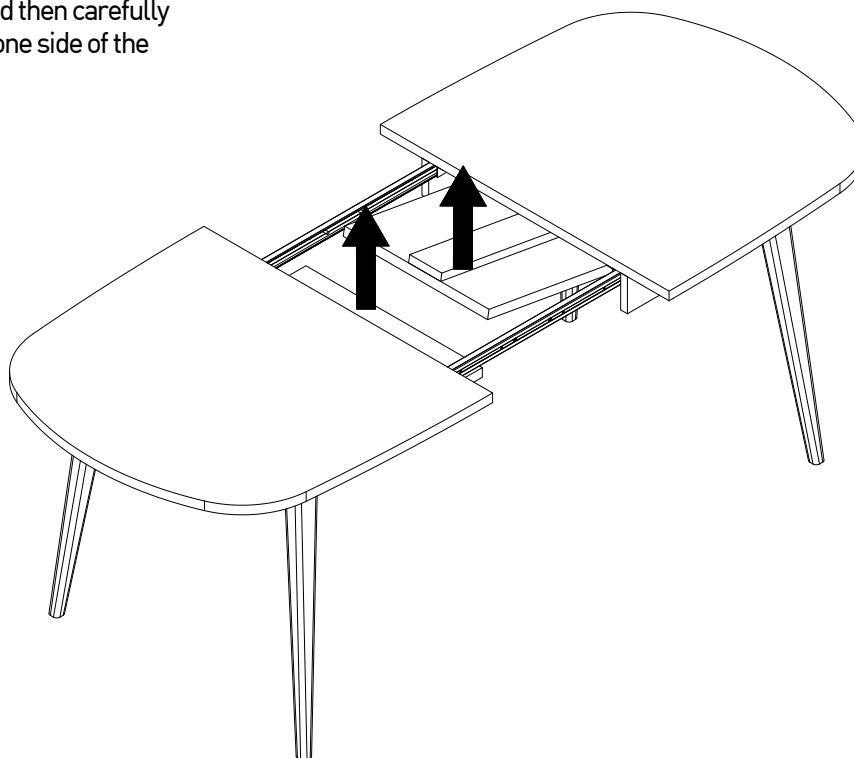
Undo the catches on each side of the table on the inside of the edge skirting

With one person at each end, pull the table out to extend it. Lift the table slightly so that it is not dragging on the floor as it is pulled out.



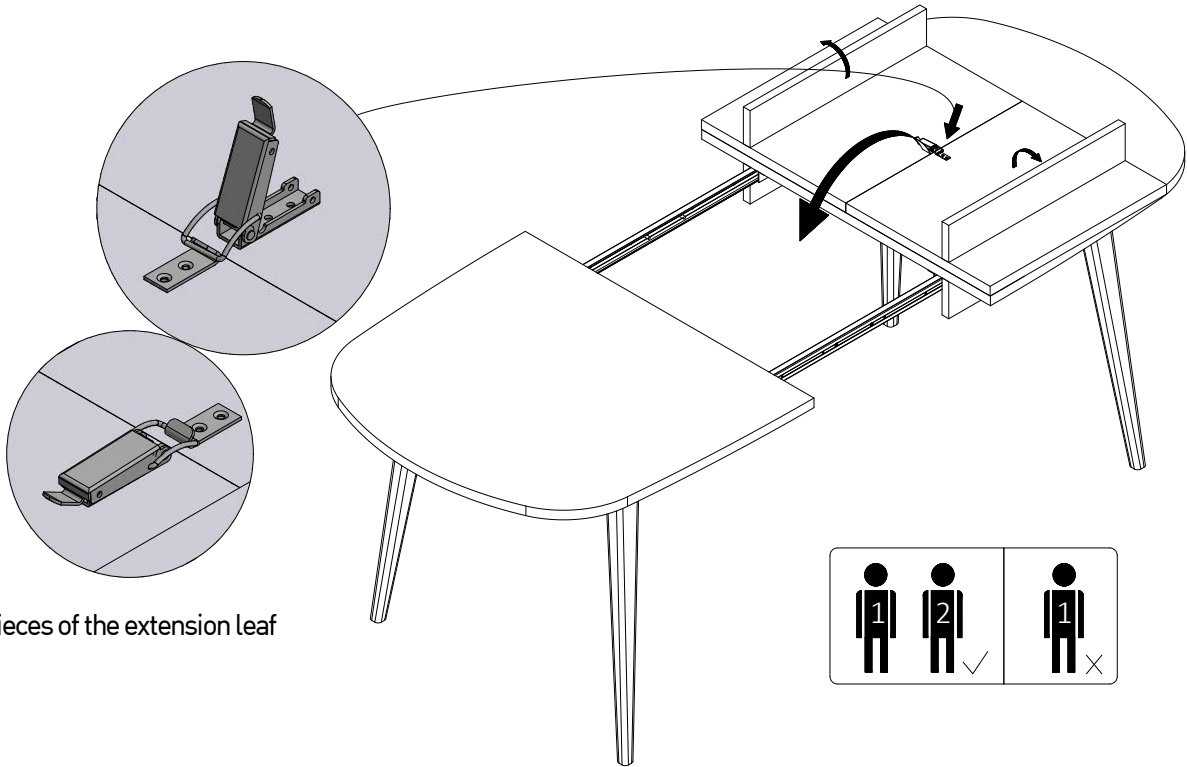
Step 4

Carefully remove the 2 pieces of the extension leaf from inside the table and then carefully place them upside down of one side of the table.

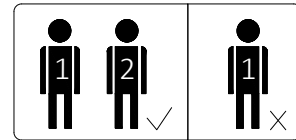


Assembly Instructions

Step 5



Clip the 2 pieces of the extension leaf together.



Step 6

2 people should then carefully turn the extension leaf over - supporting it in the middle where it is clipped, and then place it across the exposed metal extension mechanism, in between the 2 sides of the table top. Take care to place the extension leaf the correct way to line up the pins/holes on each side with the 2 sides of the table top.

Ensure that the hinged skirting on each side of the extension leaf are fully extended.

Using 2 people, gently push the table back together from each side, taking care to line up the pins/holes on each side of the extension including on each side of the hinged skirts.

Once the extension leaf has been fully engaged the clips on each side of the hinged skirting should be locked to hold the extension in place.

