

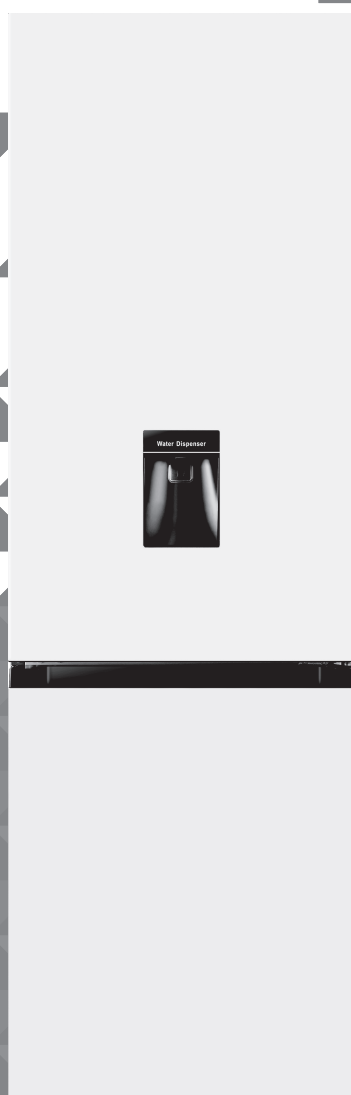
BUSH

Instruction manual

ME55180FFWTDB

ME55180FFWTDS

ME55180FFWTDW



You'll soon be enjoying your new Combi Fridge-Freezer. It all begins here, with your instructions. Don't worry, there's nothing too technical coming up. Just simple, step-by-step guidance to get you up and running quickly. Sound good? Then let's get started.

Help and Guidance

We're here to help you get the most from your Combi Fridge-Freezer. Should you require any guidance, a simple solution can often be found online at:

www.bush-support.com






If you still require further assistance, call one of our experts on 0345 257 7271.

ISSUE-3 28/03/2024

If you require any technical guidance or find that your product is not operating as intended, a simple solution can often be found in the Troubleshooting section of these instructions.

Contents

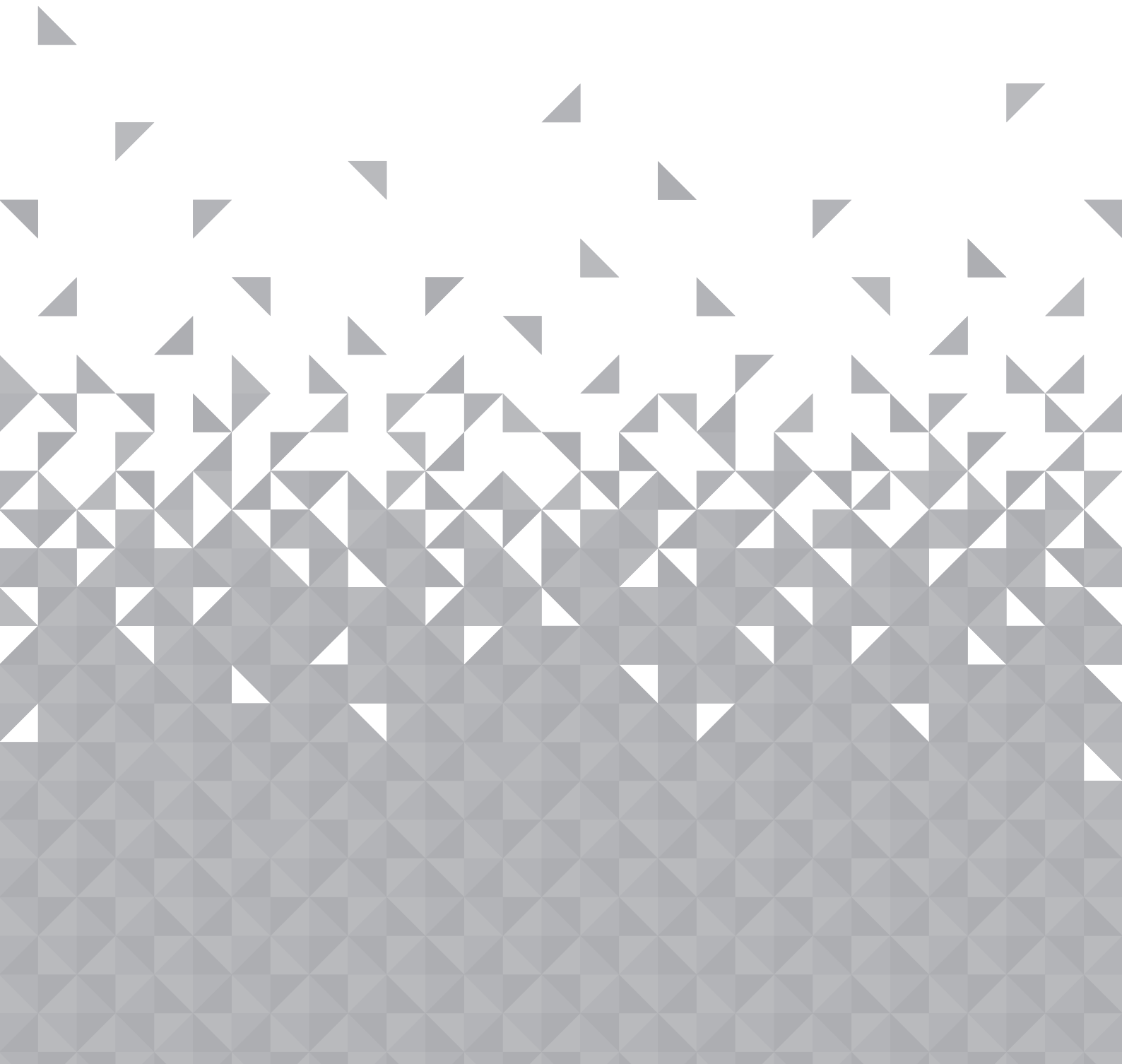
1	Safety information		
	Safety information	6	
	Food storage	11	
2	Getting to know your Combi Fridge - Freezer		
	Appliance description	15	
	Dimension	16	
3	Installing your Combi Fridge - Freezer		
	Transportation	18	
	Installation warnings & Instruction	18	
	Door reverse	20	
	Electrical connection	24	
4	Functions		
	Thermostat setting	26	
5	Using your Combi Fridge - Freezer		
	Accessories	30	
	Helpful hints and tips	33	
6	Care and maintenance		
	Cleaning	36	
	Defrosting	36	
	Light bulb replacement	37	
	Power failure	38	
	Technical specification	39	
	Disposal of the appliance	40	
7	Product support		
	Troubleshooting		42
	Help and assistance		44
	Guarantee		45

Icon	Type	Meaning
	WARNING	Serious injury or death risk
	RISK OF ELECTRIC SHOCK	Dangerous voltage risk
	FIRE	Warning; Risk of fire / flammable materials
	CAUTION	Injury or property damage risk
	IMPORTANT	Operating the system correctly

If you require any technical guidance or find that your product is not operating as intended, a simple solution can often be found in the Troubleshooting section of these instructions.

Safety Information

1





Safety information

Important - Please read these instructions fully before installing or operating

For your safety and correct usage, before installing and first using the appliance, read this user manual carefully, including its hints and warnings. To avoid unnecessary mistakes and accidents, it is important to make sure that all people using the appliance are thoroughly familiar with its operation and safety features. Save these instructions and be sure that they remain with the appliance if it is moved or sold, so that anyone using it throughout its life, will be properly informed on its usage and safety notices.

For the safety of life and property, keep the precautions of these user's instructions as the manufacturer is not responsible for damages caused by omission.



The installation of this appliance is best carried out by 2 people.

Safety for children and others who are vulnerable people



This appliance can be used by children aged from 8 years and above and persons with reduced physical, sensory or mental capabilities or lack of experience and knowledge if they have been given supervision or instruction concerning use of the appliance in a safe way and understand the hazards involved. Children shall not play with the appliance. Cleaning and user maintenance shall not be made by children without supervision.

Children aged from 3 to 8 years are allowed to load and unload refrigerating appliances.

- Keep all packaging away from children as there is risk of suffocation. Dispose of all packaging carefully and responsibly.
- If you are discarding the appliance, pull the plug out of the socket, cut the connection cable (as close to the appliance as you can) and remove the door to prevent children playing from suffering an electric shock or from closing themselves inside it.
- If this appliance, featuring a magnetic door seals, is to replace an older appliance having a spring lock (latch) on the door or lid, be sure to make the spring lock unusable before you discard the old appliance. This will prevent it from becoming a death trap for a child.
- To avoid the risk of entrapment and suffocation, do not allow children to play with the appliance.



General safety

- **WARNING** — This appliance is for domestic use only, do not use it for other purposes. Industrial or commercial use will void the guarantee. This appliance is designed for indoor use only and must be protected from rain, moisture and extreme temperature variations.
- **WARNING** — Do not store explosive substances such as aerosol cans with a flammable propellant in this appliance.
- **WARNING** — If the supply cord is damaged, it must be replaced by the manufacturer, its service agent or similarly qualified persons in order to avoid a hazard.
- **WARNING** — Keep ventilation openings, in the appliance enclosure or in the built-in



Safety information

Important - Please read these instructions fully before installing or operating

structure, clear of obstruction.

- **WARNING** — This appliance must be positioned on a firm level base.
- **WARNING** — Do not sit, stand or place any other heavy objects on top of the appliance. This could result in injury or damage to the appliance.
- **WARNING** — Cord entanglement hazard. The cable of the appliance can give rise to risks of entanglement, strangulation or tripping if not correctly placed. You must make sure that the electric cable is positioned safely.
- **WARNING** — Do not use mechanical devices or other means to accelerate the defrosting process, other than those recommended by the manufacturer.
- **WARNING** — Do not damage the refrigerant circuit.
- **WARNING** — Do not use electrical appliances inside the food storage compartments of the appliance.
- **WARNING** — The refrigerant and insulation blowing gas are flammable. When disposing of the appliance, do so only at an authorized waste disposal centre. Do not expose to flame.
- **WARNING** — Do not locate multiple portable socket-outlets or portable power supplies at the rear of the appliance.
- **WARNING** - Do not store liquids in glass containers in the freezer compartment as these may shatter.
- **WARNING** - This refrigerating appliance is not intended to be used as a built-in appliance.
- **WARNING** - In case there is an inflammable gas leaking, open the window for air

circulation and do not pull out the plug or turn the temperature knob. Do not touch the appliance until the valve of gas is turned off. Otherwise, sparks may happen.

Replacing the LED

- **WARNING**—The LED light must not be replaced by the user! If the LED light is damaged, contact the customer helpline for assistance.

Refrigerant

Your appliance is an environmental friendly product and it contains non CFC/HFC gas substances in the cooling system (Called R600a) and in the insulation (Called cyclopentane) which are potentially flammable if exposed to fire. Therefore, take care not to damage the cooling circuit/pipes of the appliance in transportation and in use.

- **WARNING** — Refrigerators contain refrigerant and gas in the insulation. Refrigerant and gas must be disposed of professionally as they may cause eye injuries or ignition. Ensure that tubing of the refrigerant circuit is not damaged prior to proper disposal.



WARNING!

Risk of fire/flammable materials.

- **WARNING** — During use, service and disposal the appliance, please pay attention to the symbol which is located on rear of appliance (rear panel or compressor) and with yellow or orange colour. It's risk of fire warning symbol. There are flammable



Safety information

Important - Please read these instructions fully before installing or operating

materials in refrigerant pipes and compressor. Please be far away fire source during use, service and disposal.

If the refrigerant circuit should be damaged:

- Avoid opening flames and sources of ignition.
- Immediately and thoroughly ventilate the room in which the appliance is situated.

It is dangerous to alter the specifications or modify this product in any way.

Any damage to the cord may cause a short circuit, fire, and/or electric shock.



Electrical safety

- The power cord must not be lengthened.
- Make sure that the power plug is not crushed or damaged. A crushed or damaged power plug may overheat and cause a fire.
- Make sure that you can access the main plug after the appliance is installed.
- Do not pull the main cable.
- If the power plug socket is loose, do not insert the power plug. There is a risk of electric shock or fire.
- You must not operate the appliance without the interior lighting lamp cover.
- The fridge is only applied with power supply of single phase alternating current of 220~240V/50Hz. If fluctuation of voltage in the district of user is so large that the voltage exceeds the above scope, for safety sake, be sure to apply A.C. Automatic voltage regulator of more than 350W to

the fridge. The fridge must employ a special power socket instead of common one with other electric appliances. Its plug must match the socket with ground wire.

- Never use an extension cord or a multiple socket connection.
- Do not splash water on the appliance. It may cause electrical parts to fail and result in an electric shock.

Daily use

- Do not store flammable gas or liquids in the appliance, There is a risk of an explosion.
- Do not operate any electrical appliances in the appliance (e.g. electric ice cream makers, mixers etc.).
- When unplugging always pull the plug from the mains socket, do not pull on the cable.
- Do not place hot items near the plastic components of this appliance.
- Do not place food products directly against the air outlet on the rear wall.
- Store pre-packed frozen food in accordance with the frozen food manufacture's instructions.
- The appliances manufactures storage recommendations should be strictly adhered to. Refer to relevant instructions for storage.
- Do not place carbonated or fizzy drinks in the freeze compartment as it creates pressure on the container, which may cause it to explode, resulting in damage to the appliance.
- Frozen food can cause frost burns if



Safety information

Important - Please read these instructions fully before installing or operating

consumed straight from the freezer compartment.

- Do not place the appliance in direct sunlight.
- Keep burning candles, lamps and other items with naked flames away from the appliance so that do not set the appliance on fire.
- The appliance is intended for keeping food stuff and/or beverages in normal household as explained in this instruction booklet. The appliance is heavy, care should be taken when moving it.
- Do not remove nor touch items from the freezer compartment if your hands are damp/wet, as this could cause skin abrasions or frost/freezer burns.
- Never use the base, drawers, doors etc. to stand on or as supports.
- Frozen food must not be refrozen once it has been thawed out.
- Do not consume ice popsicles or ice cubes straight from the freezer as this can cause freezer burn to the mouth and lips.
- To avoid items falling and causing injury or damage to the appliance, do not overload the door racks or put too much food in the crisper drawers.
- **WARNING** - Food needs to be packed into bags before it is put into the refrigerator. Liquids need to be stored in bottles or capped containers in order to avoid a spill, as the design structure of the product is not easy to clean.
- To avoid contamination of food, pay attention to the following instructions:
 - Opening the door for long periods can cause a significant increase of the tem-

perature in the compartments of the appliance.

- Clean regularly surfaces that can come in contact with food and accessible drainage systems.
- Clean water tanks if they have not been used for 48 h; flush the water system connected to a water supply if water has not been drawn for 5 days.
- Store raw meat and fish in suitable containers in the refrigerator, so that it is not in contact with or drip onto other food.
- Two-star frozen-food compartments are suitable for storing pre-frozen food, storing or making ice-cream and making ice cubes.
- One-, two- and three-star compartments are not suitable for the freezing of fresh food.
- If the refrigerating appliance is left empty for long periods, switch off, defrost, clean, dry, and leave the door open to prevent mould developing within the appliance.

Caution! **Care and cleaning**

- Before maintenance, switch off the appliance and disconnect the mains plug from the mains socket.
- Do not clean the appliance with metal objects, steam cleaner, ethereal oils, organic solvents or abrasive cleansers.
- Do not use sharp objects to remove frost from the appliance. Use a plastic scraper.



Safety information

Important - Please read these instructions fully before installing or operating

Installation important!

- For electrical connection carefully, follow the instructions given in this manual.
- Unpack the appliance and check if there are damages on it. Do not connect the appliance if it is damaged. Report possible damages immediately to the place you bought it. In this case retain packing.
- It is advisable to wait at least four hours before connecting the appliance to allow the cooling system to settle before first use or after any transportation.
- Adequate air circulation should be around the appliance, lacking this leads to overheating. To achieve sufficient ventilation, follow the instructions relevant to installation. Wherever possible the back of the product should not be too close to a wall to avoid touching or catching warm parts (compressor, condenser) to prevent the risk of a fire, follow the instructions relevant to installation.
- The appliance must not be located close to radiators or cookers.
- Make sure that the mains plug is accessible after the installation of the appliance.

Service

- Any electrical work required to do the servicing of the appliance should be carried out by qualified electrician or competent person.
- This product must be serviced by an authorized Service agent, and only genuine spare parts must be used. Installation by anyone other than an authorized agent

may cause your warranty to be void.

- Do not attempt to repair the appliance yourself. Contact the Customer Helpline: 0345 247 7271.



Safety information

Important - Please read these instructions fully before installing or operating

Food Storage

Getting the most from your appliance storing food.

The table below contains general guidelines on the storage of food in the refrigerator.

Compartment	Type of food
Fridge door rack	<ul style="list-style-type: none">• Foods with natural preservatives, such as jams, juice, drinks, condiments.• Do not store perishable foods.
Fridge glass shelf - top	<ul style="list-style-type: none">• Foods that do not need cooking, such as ready-to-eat foods, deli meats, leftovers.
Fridge glass shelf - middle	<ul style="list-style-type: none">• Dairy products, eggs.
Vegetable drawer / Crisper bin	<ul style="list-style-type: none">• Fruits, herbs and vegetables should be placed separately in the crisper bin.• Do not store bananas, onions, potatoes, garlic in the refrigerator.
Freezer drawer	<ul style="list-style-type: none">• Foods for long-term storage.• Top drawer for ice cream, frozen fruit, frozen baked goods.• Middle drawer for frozen vegetables, chips.• Bottom drawer for raw meat, poultry, fish.

Note:

Please store different foods according to the compartments or target storage temperature of your purchased products.

If the refrigerating appliance is left empty for long periods, switch off, defrost, clean, dry, and leave the door open to prevent mould developing within the appliance.

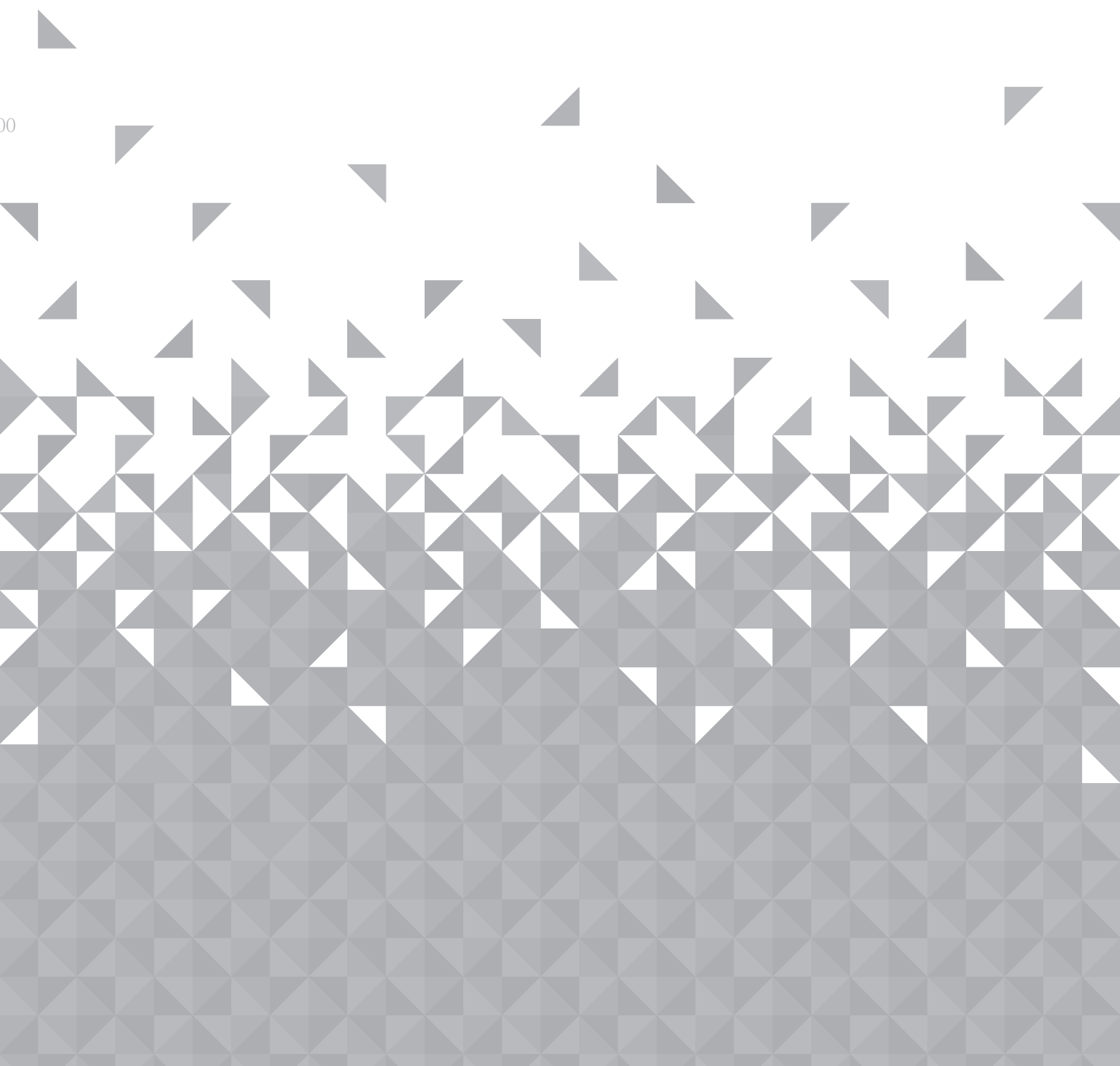


Safety information

Important - Please read these instructions fully before installing or operating

Getting to know your
Combi Fridge - Freezer

2



Getting to know your Combi Fridge-Freezer

You'll be up and running in no time

Ready? Let's begin...

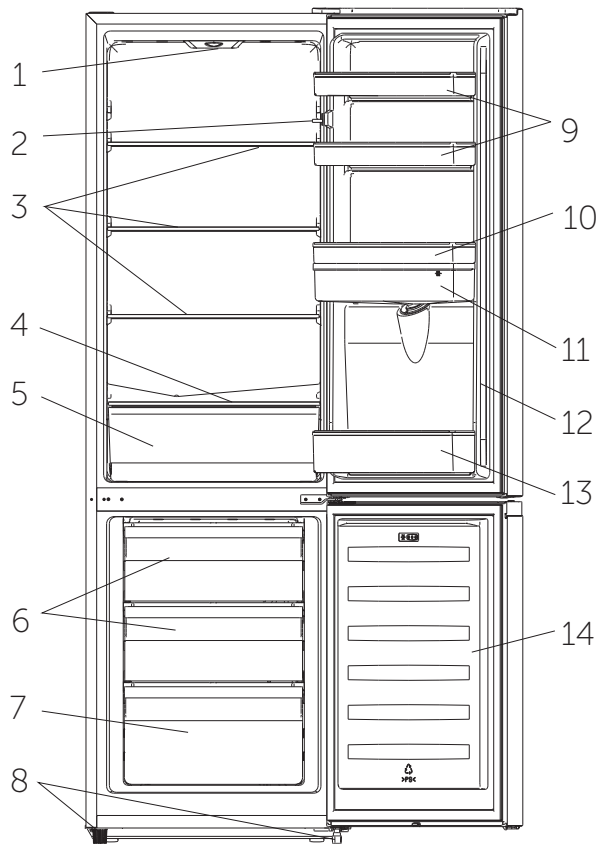
Please read these instructions carefully. They contain important information which will help you get the best from your Combi Fridge Freezer and ensure safe and correct installation and operation.

If you require any further assistance, our technical experts are happy to help. For full details, refer to the product support section at the end of these instructions.

Getting to know your Combi Fridge-Freezer

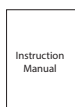
You'll be up and running in no time

Parts



- | | |
|---|-------------------------|
| 1. LED lighting | 7. Freezer lower drawer |
| 2. Door switch | 8. Adjustable foot |
| 3. Shelf | 9. Upper door rack |
| 4. Vegetable drawer cover
(or Crisper bin cover) | 10. Middle door rack |
| 5. Vegetable drawer
(or Crisper bin) | 11. Water tank |
| 6. Freezer upper & middle drawer | 12. Fridge door |
| | 13. Lower door rack |
| | 14. Freezer door |

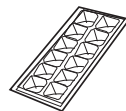
Accessories included



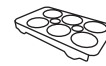
Instruction Manual



Upper Hinge Cover



Ice Tray



Egg Tray x 2

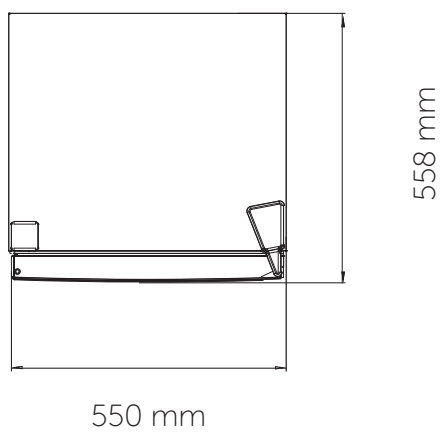
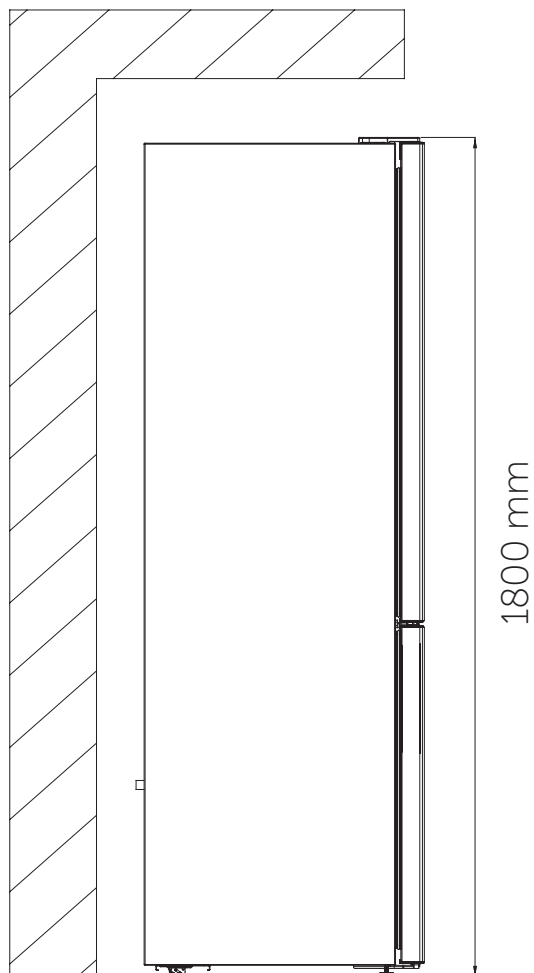
Note: Due to unceasing modification of our products, your refrigerator may be slightly different from this instruction manual, but its functions and using methods remain the same. To get more space in freezer, you can remove drawers (except the bottom freezer drawer), ice tray.

Note: To get the best energy efficiency of this product, please place all shelves, drawers on their original position as the illustration above.

Getting to know your Combi Fridge-Freezer

You'll be up and running in no time

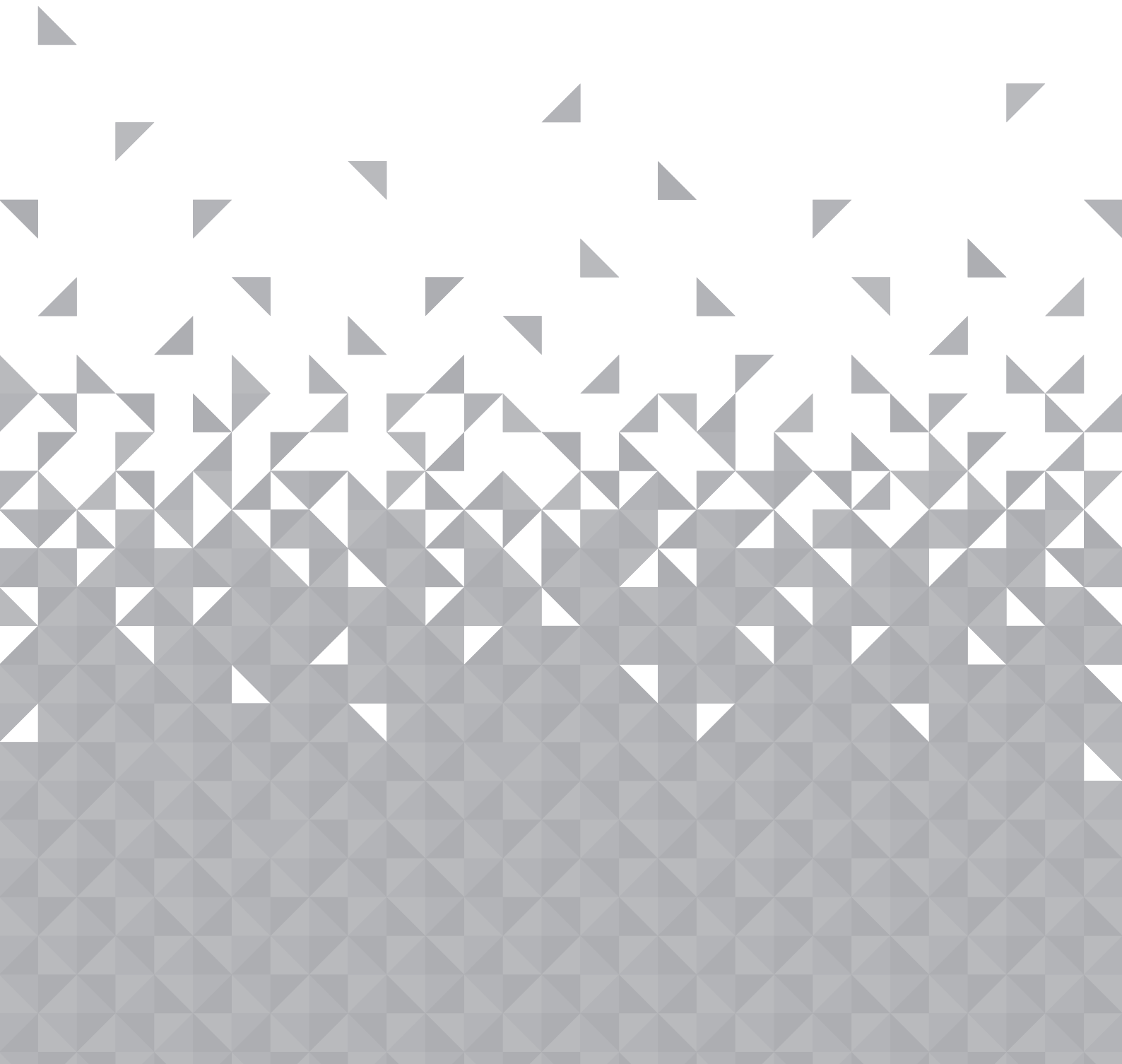
Dimension



If you require any technical guidance or find that your product is not operating as intended, a simple solution can often be found in the Troubleshooting section of these instructions.

Installing your
Combi Fridge - Freezer

3



Installing your Combi Fridge - Freezer

Bringing it all together

Transportation



Caution: 2 people are required to unpack and handle the appliance, it is recommended that gloves are worn.

- The appliance is equipped with two castors on the bottom side for easy movement. Move the appliance to the desired location and adjust the two front leveling feet to fix the appliance.
- The appliance should be transported only in an upright position. Do not tilt the appliance greater than 45 degrees. The packaging as supplied must be intact during transportation.
- After transporting the appliance, leave it for at least 4 hours before switching on to allow the cooling system to settle. Failure to comply could result in damage to the appliance.
- Do not move the appliance by pulling the door or handle as it may damage your flooring and wall coverings etc.
- Empty any water in the drain tray before moving.
- Make sure that the defrost water pipe at the back of the appliance is fixed to be plastic evaporating pan which is situated above the compressor, to avoid defrost water spillage on the floor.
- Ensure the supply cord is not caught under the appliance during and after moving.
- Carefully remove all packaging materials, dispose of correctly.

- The original packaging and foam may be kept for re-transportation (optional).
- Fasten your appliance with thick packaging, bands or strong cords and follow the instructions for transportation on the packaging.
- Remove all movable parts (shelves, accessories, vegetable bins, and so on) or fix them into the appliance against shocks using bands when re-positioning or transporting.



Always carry your appliance in the upright position.

Installation warnings

Before using your fridge freezer for the first time, please pay attention to the following points:

- The operating voltage for your fridge freezer is 220-240 V at 50Hz.
- The plug must be accessible after installation.
- Your fridge freezer may have an odour when it is operated for the first time. This is normal and the odour will fade when your fridge freezer starts to cool.
- Do not install the appliance in a moist or wet place. It should be installed on a smooth surface to avoid excessive vibration and noise.
- Before connecting your fridge freezer, ensure that the information on the data plate (voltage and connected load) matches that of the mains electricity supply. If in doubt, consult a qualified electrician.

Installing your Combi Fridge - Freezer

Bringing it all together

- Insert the plug into a socket with an efficient ground connection. If the socket has no ground contact or the plug does not match, we recommend you consult a qualified electrician for assistance.
- The appliance must be connected with a properly installed fused socket. The power supply (AC) and voltage at the operating point must match with the details on the name plate of the appliance (the name plate is located on the inside left of the appliance).
- We do not accept responsibility for any damages that occur due to ungrounded usage.
- Place your fridge freezer where it will not be exposed to direct sunlight.
- Your fridge freezer must never be used outdoors or exposed to rain.
- Your appliance must be at least 50 cm away from stoves, gas ovens and heater cores, and at least 5 cm away from electrical ovens.
- If your fridge freezer is placed next to a deep freezer, there must be at least 2 cm between them to prevent humidity forming on the outer surface.
- Do not cover the body or top of fridge freezer your fridge freezer.
- Clearance of at least 100 mm is required at the top of your appliance. Do not place anything on top of your appliance.
- Do not place heavy items on the appliance.
- Clean the appliance thoroughly before use (see Cleaning and Maintenance).

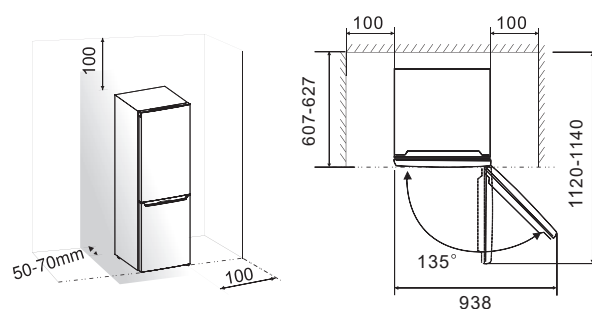
Leveling of appliance

For sufficient leveling and air circulating in the lower rear section of the appliance, the bottom feet may need to be adjusted, you can adjust them by your fingers or a suitable spanner.

Ventilation of appliance

In order to improve efficiency of the cooling system and save energy, it is necessary to maintain good ventilation around the appliance for the dissipation of heat. For this reason, sufficient clear space should be available around the refrigerator.

Suggest: It is advisable for there to be 50-70 mm of space from the back to the wall, at least 100 mm from its top, at least 100 mm from its side to the wall and a clear space upfront to allow the doors to open 135 °.



Note:

- Keep the appliance out of direct sunlight, rain or frost. Stand the appliance away from heat sources such as stoves, fires or heaters.
- This appliance performs well in the

Installing your Combi Fridge - Freezer

Bringing it all together

climate class from N to ST. It may not work properly if being left at a temperature above or below the indicated range for a long period.

Class	Temperature
SN	from +10 °C to +32 °C
N	from +16 °C to +32 °C
ST	from +16 °C to +38 °C
T	from +16 °C to +43 °C

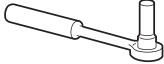





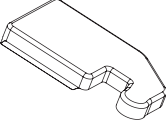
Note: If required you may lay the refrigerator on its back in order to gain access to the base, you should rest it on soft foam packaging or similar material to avoid damaging the backboard of the refrigerator.

Door reverse

The side at which the door opens can be changed, from the right side (as supplied) to the left side, if the installation site requires.

Warning! - When reversing the door, the appliance must not be connected to the mains. Ensure that the plug is removed from the mains socket.

Tools you will need.

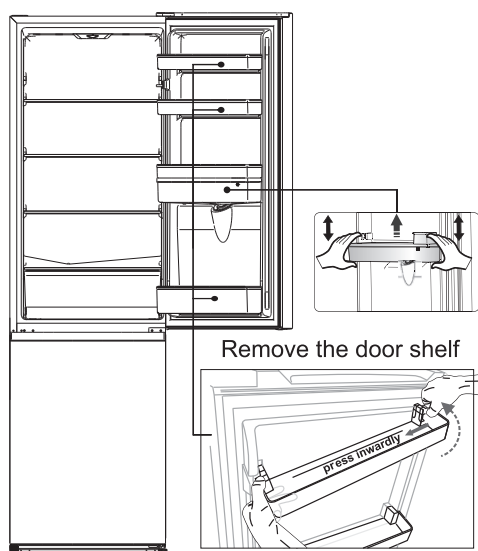
Not provided		
		
8mm socket wrench	Thin-blade screwdriver	Putty knife
		
Cross-shaped screwdriver	Monkey wrench	8mm wrench
Additional part (in the plastic bag)		
		
Left Hinge Cover		

Installing your Combi Fridge - Freezer

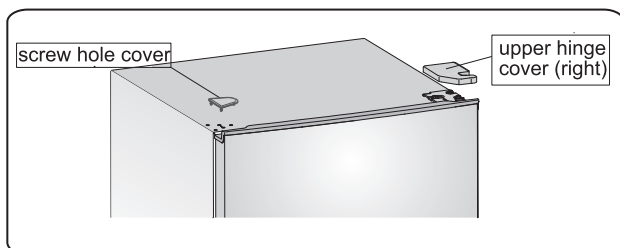
Bringing it all together

To reverse the door, the following steps are generally recommended.

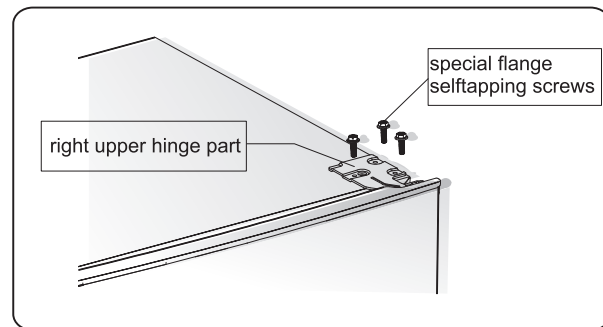
1. Stand the refrigerator upright. Open the upper door to take out all door racks (to avoid damage) and then close the door.



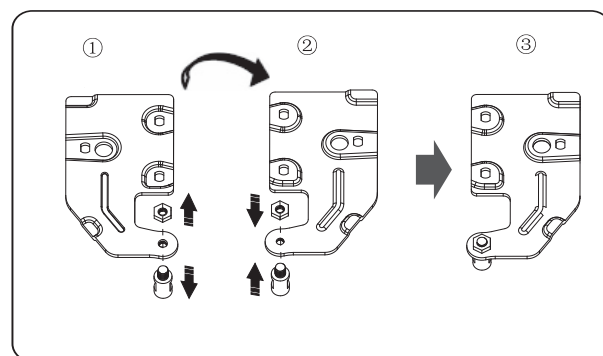
2. Use a putty knife or thin-blade screwdriver to prize the screw hole cover which is at the top left corner of the refrigerator, and the upper hinge cover which is at the top right corner of the refrigerator.



3. Unscrew the special flange self-tapping screws which are used for fixing the right upper hinge part by a 8 mm socket driver or a spanner (please support the upper door with your hand when doing it).

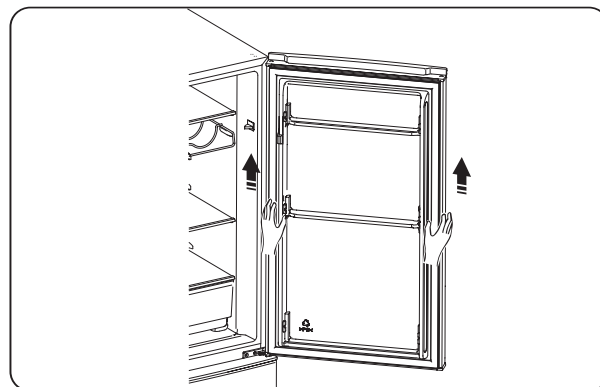


4. Remove the upper hinge axis, transfer it to reversed side and tighten securely, then put it in a safe place.



5. Remove the upper door from the middle hinge by carefully lifting the door straight up.

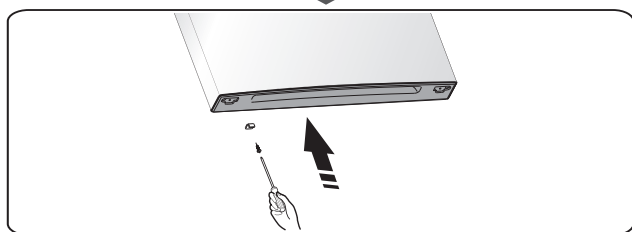
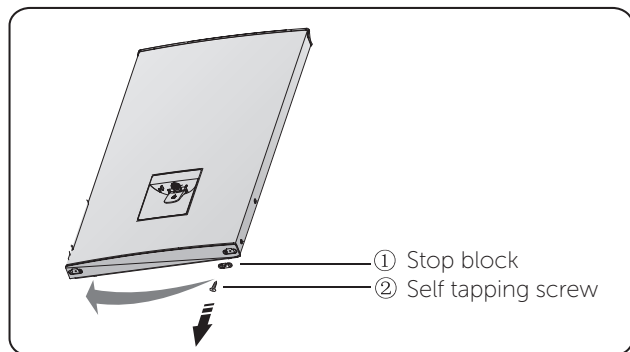
Note: When removing the door watch for washer(s) between the center hinge and the bottom of the upper door that may stick to the door. Do not lose.



Installing your Combi Fridge - Freezer

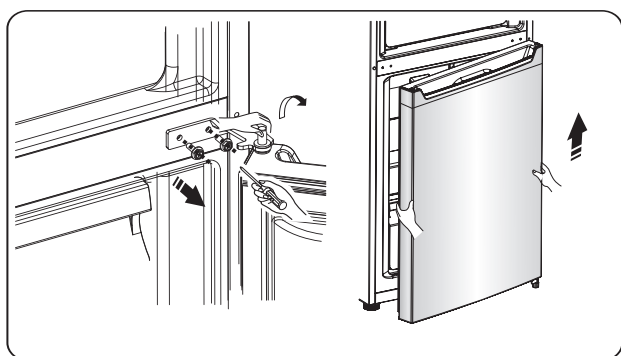
Bringing it all together

6. Place the upper door on a smooth surface with its panel upwards. Loose screw ② and part ①, then install them to the left side and tighten.

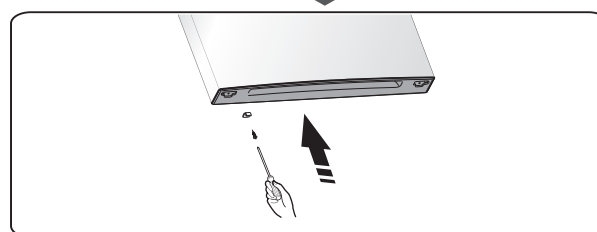
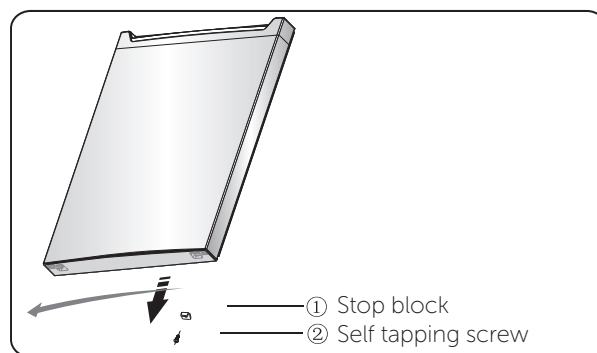


7. Unscrew the two special flange self-tapping screws which are used for fixing the middle hinge part, then remove the middle hinge part that hold the lower door in place.

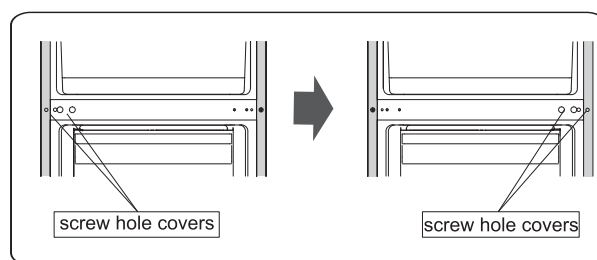
NOTE: When removing the door, watch for washer(s) between the lower hinge and the bottom of the door that may stick to the door. Don't lose it.



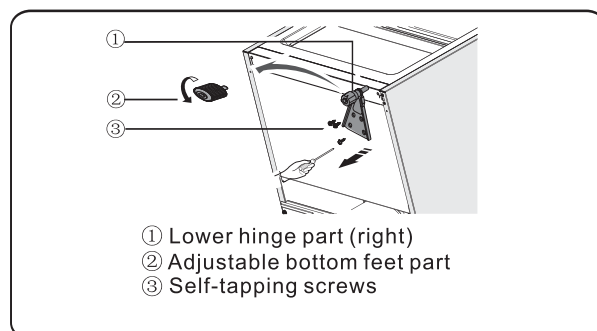
8. Place the lower door on a smooth surface with its panel upwards. Loose screw ② and part ①, then install them to the left side and tighten securely.



9. Change screw hole covers on middle cover plate from left to right (as shown in figure below).



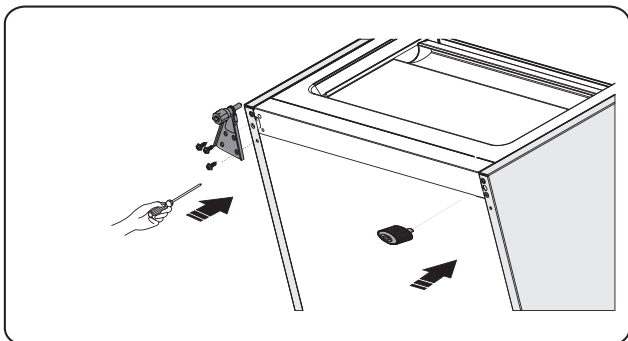
10. Lay the refrigerator on soft foam packaging or similar material. Remove both adjustable bottom feet parts, and remove the front feet board and the lower hinge part by unscrewing the special flange self-tapping screws.



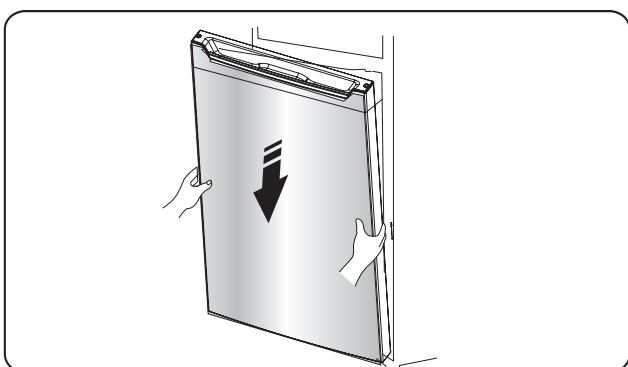
Installing your Combi Fridge - Freezer

Bringing it all together

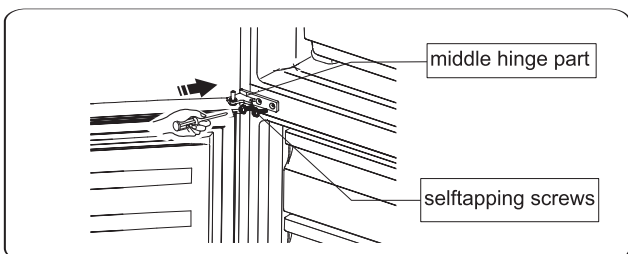
11. Replace the lower hinge part to the left side and fixing it with the special flange self-tapping screws. Replace the adjustable bottom feet parts to another side and fixing it.



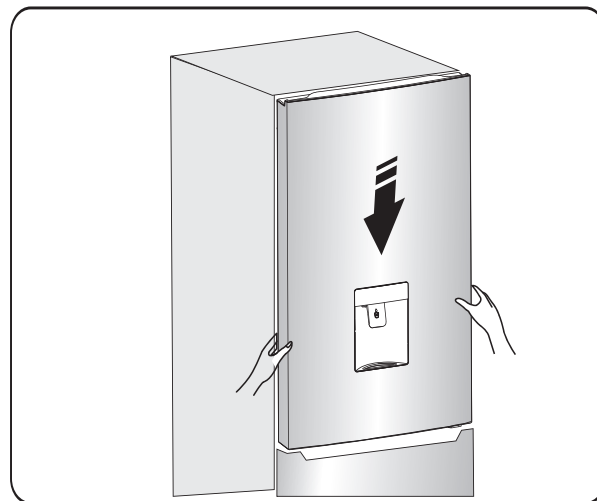
12. Transfer the lower door to the property position, adjust the lower hinge part, make the hinge axis into the lower hole of the lower door, then tight the bolts.



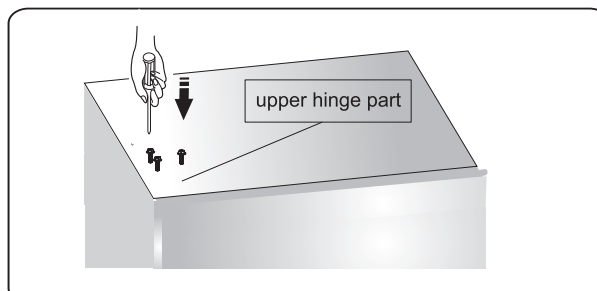
13. Upturn the middle hinge part the direction 180 degree, transfer it and adjust its position, make the middle hinge axis into the upper hole of the lower door, tight the bolts.



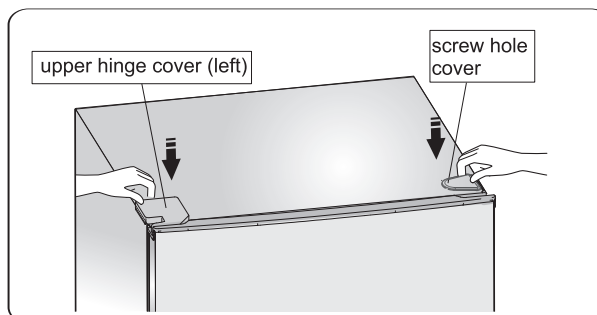
14. Transfer the upper door to the appropriate position. Secure the door's level, make the middle hinge axis into the lower hole of the upper door.



15. Transfer the upper hinge part and make the upper hinge axis into the upper hole of the upper door, and adjust the position of the upper door (please support the upper door with your hand when doing it), fixing the upper hinge part with the special flange self-tapping screws.



16. Install the screw hole cover on the top right corner of the refrigerator. Install the upper hinge cover (which is in the plastic bag) on the left corner. Put the other upper hinge cover into the plastic bag.




17. Open the upper door and install the door shelves, then close it.

Installing your Combi Fridge - Freezer

Bringing it all together

Electrical connection

 Any electrical work required to install this appliance **MUST** be carried out by a qualified electrician.

 **Warning:** this appliance must be earthed.

Before making any electrical connections, ensure that:

- Electrical safety is only guaranteed when the earth system of your house is in accordance with the related local regulations.
 - Do not damage the refrigerant circuit.
 - Do not bend, stretch or pull the supply cable to avoid electric shock.
 - Do not use electrical appliances inside the food storage compartments of the appliance, unless they are of the type recommended by the manufacturer.
 - Ensure the power socket is suitable for the maximum power of the fridge freezer (fuses in the power circuit must be 13 amp).
 - The supply voltage should be the same as that indicated in the rating label.
- The appliance should be earthed and in compliance with the applicable law.
- When installed, the power socket must be within easy reach.
 - If the socket outlets in your home are not suitable for the plug supplied with this unit check with a qualified electrician for replacement.
 - Do not use an extension cord, an adapter or a multiple socket connection.
 - The appliance must be connected to a 220-240 volt 50Hz AC supply by means of a three pin socket, suitably earthed and protected by a 13 amp fuse.
 - Should the fuse need to be replaced, a 13 amp fuse approved to BS1362 must be used.
 - The plug contains a removable fuse cover that must be refitted when the fuse is replaced. If the fuse cover is lost or damaged, the plug must not be used until a replacement cover has been fitted or

the plug is replaced.

- A damaged plug should be cut off as close to the plug body as possible, the fuse should be removed and the plug disposed of safely.

Plug replacement (UK & Ireland only)

Should you need to replace the plug, the wires in the power cable are coloured in the following way:

Blue - Neutral 'N'

Brown - Live 'L'

Green & Yellow - Earth 'E'

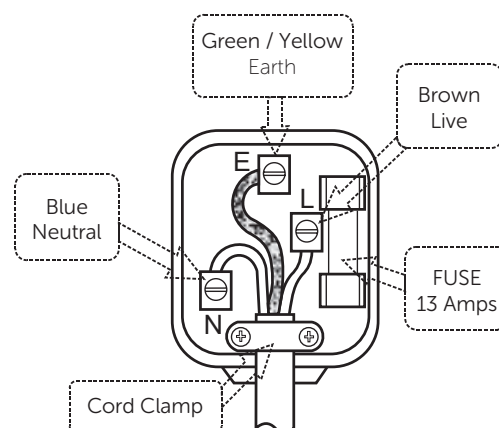
As the colours of the wires in the power cable may not correspond with the coloured markings identifying the terminals in your plug, and proceed as follows:

The green & yellow wire must be connected to the terminal in the plug that is marked with the letter E or by the earth symbol.

The blue wire must be connected to the terminal that is marked with the letter N.

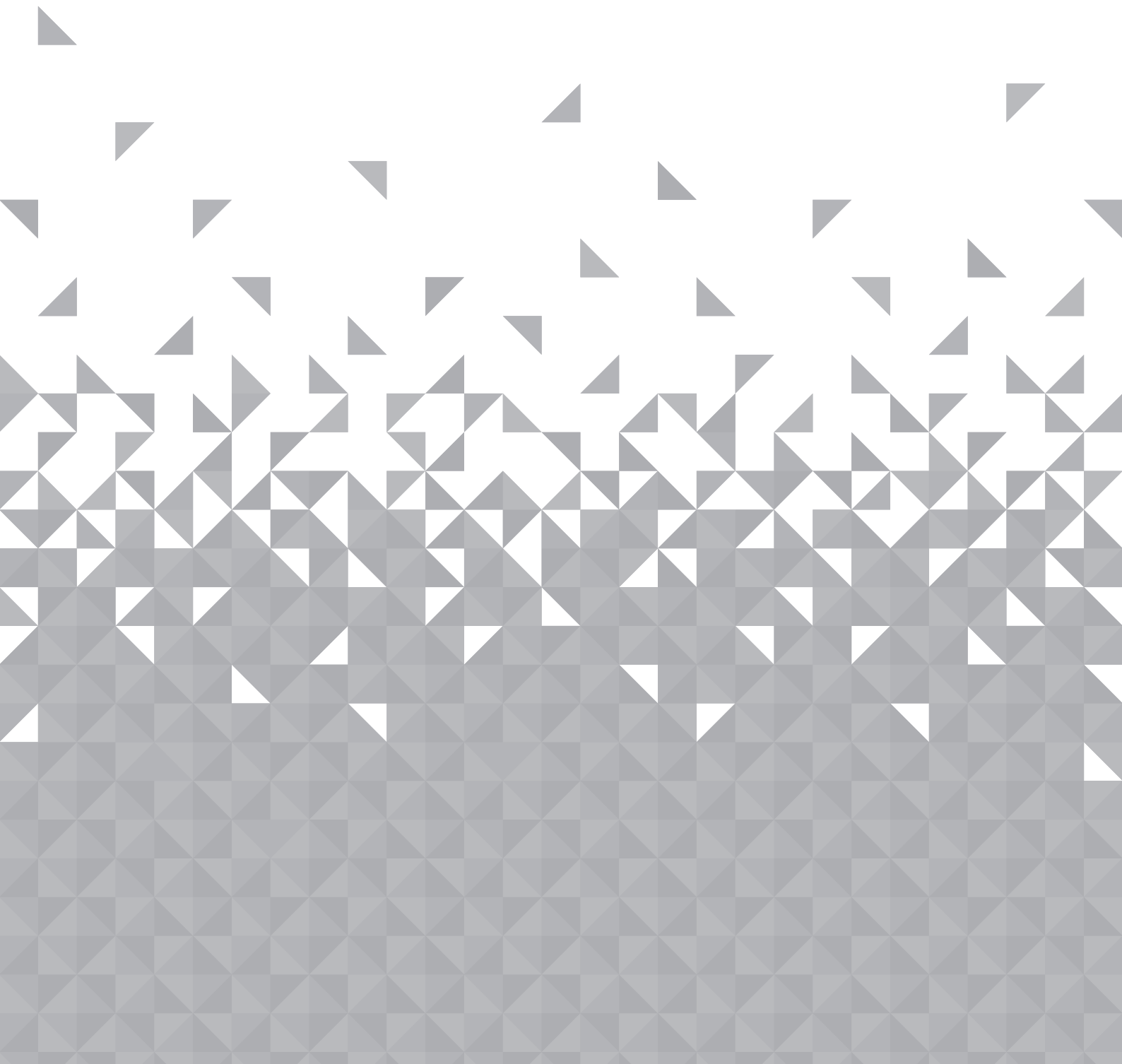
The brown wire must be connected to the terminal that is marked with the letter L.

If power supply cord is damaged, it must be replaced by the manufacturer or its service agent or a similar qualified person in order to avoid a hazard.



If you require any technical guidance or find that your product is not operating as intended, a simple solution can often be found in the Troubleshooting section of these instructions.

Functions 4

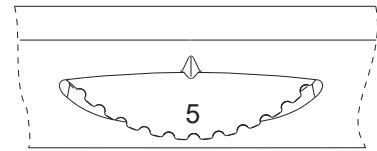


Functions

Simple everyday use

Starting up

Insert the plug of the connection lead into the plug socket with protective earth contact. When the refrigerator compartment door is opened, the internal lighting is switched on. After the fridge has been placed in position, wait for 5 minutes before electricity is supplied. Don't store anything until the temperature inside the fridge becomes low enough.



Recommended setting for daily use:
Setting 5

Thermostat setting

The temperature selector knob is located on the top of the refrigerator compartment.

Setting 0:

Off.

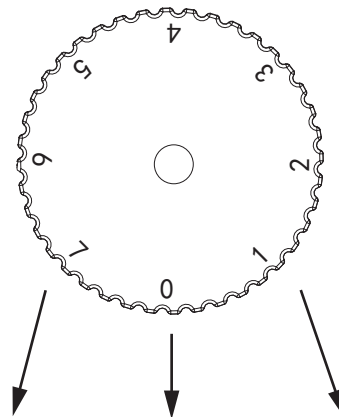
Clockwise rotate the knob to turn on the appliance.

Setting 1:

Highest temperature, warmest setting.

Setting 7 (end-stop):

Lowest temperature, coldest setting.



Coldest setting OFF Warmest setting

Temperature Setting Recommendation				
Ambient Temperature	Recommend	Setting	Fridge compartment (°C)	Freezer compartment (°C)
16°C (in winter)		4	4°C higher than setting 5	
	✓	5	0~4	-18~-24
	○	6	0~2°C lower than setting 5	
25°C (normal)		4	4°C higher than setting 5	
	✓	5	0~4	-18~-24
	○	6	4°C lower than setting 5	
38°C (in summer)		4	4°C higher than setting 5	
	✓	5	0~4	-16~-22
	○	6	0~2°C lower than setting 5	

Note: "O" means recommend to use only for short-term quick cooling, in case of high energy consumption and unexpected food freezing.

If you require any technical guidance or find that your product is not operating as intended, a simple solution can often be found in the Troubleshooting section of these instructions.

Functions

Simple everyday use

Temperature adjustment warnings

We do not recommend operating your appliance out of the stated temperature.

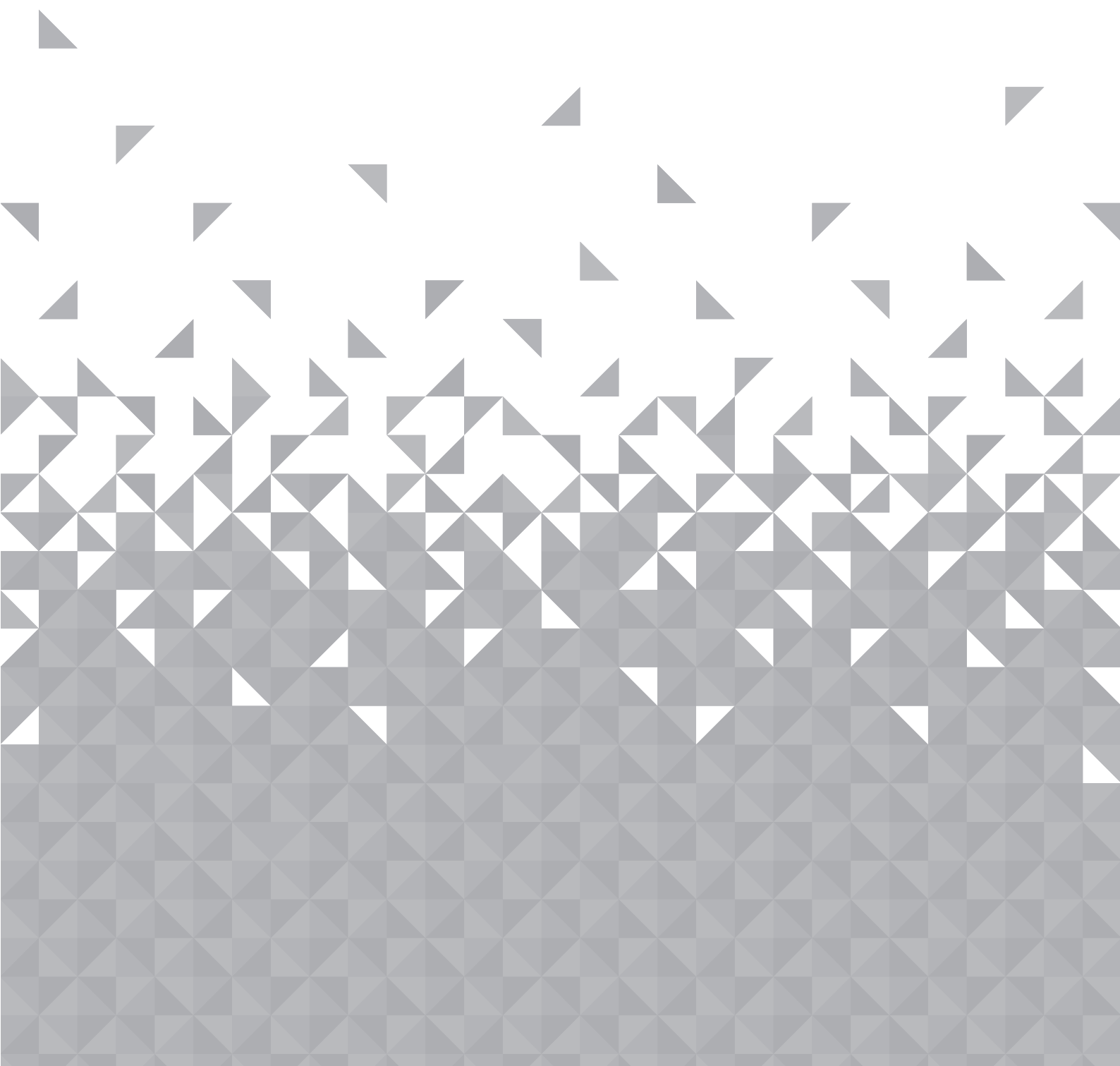
- Due to various factors such the frequency of door openings, the quantity of food kept inside the fridge and the ambient temperature in the location of your fridge, the actual temperature inside the appliance may not be consistent with the data in the table above. Please adjust the setting in time according to your actual needs.
- Normally we advise you select setting of 5. If you want the temperature higher or colder, please turn the knob to warmer or colder setting accordingly. When you turn the knob to colder, it can lead to higher energy efficiency, but it would also result in more energy consuming.
- High ambient temperatures (e.g. on hot summer days) and a cold setting (position 6 to 7) may cause the compressor to run continuously or even non-stop to maintain the low temperature in the appliance, which leads to more energy consuming.
- It is not recommended that you operate your fridge in environments colder than 16°C in terms of its efficiency.
- Do not start another adjustment while you are already making an adjustment.
- In order to allow your fridge to reach the operating temperature after being connected to mains, do not open the doors frequently or place large quantities of food in the fridge.
- Please note that, depending on the ambient temperature, it may take 24 hours for your fridge to reach the operating temperature.
- A 5 minute delay function is applied to prevent damage to the compressor of your fridge when connecting or disconnecting to mains, or when an energy breakdown occurs. Your fridge will begin to operate normally after 5 minutes.
- Your appliance is designed to operate in the ambient temperature (N/ST = 16°C - 38°C) intervals stated in the standards, according to the climate class displayed on the information label.



If you require any technical guidance or find that your product is not operating as intended, a simple solution can often be found in the Troubleshooting section of these instructions.

Using your Combi Fridge - Freezer

5



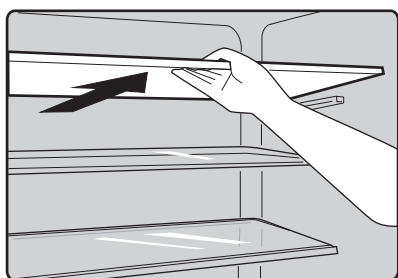
Using your Combi Fridge-Freezer

Getting the most from your appliance

Accessories

Movable shelves/trays

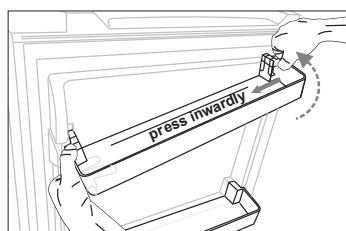
- Various glass, plastic storage shelves or wire trays are included with your appliance - different models have different combinations and different models have different features.
- The walls of the refrigerator are equipped with a series of runner so that themselves can be positioned as desired.



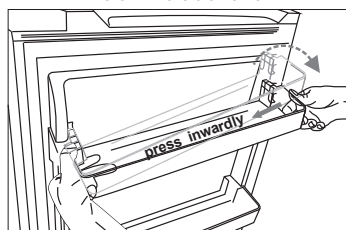
Positioning the door shelves

- To permit the storage of food packages of various sizes, the door shelves can be removed as you need.
- To remove or reinstall, gradually pull the shelf in the direction of the arrows until it comes free, then remove / reinstall as required.

Remove the door shelf



Install the door shelf



Vegetable drawer

- The drawer is suitable for storing fruit and vegetables.

Refrigerator compartment

- For storing the food that does not need to be frozen and different kinds of food.

Freezer compartment

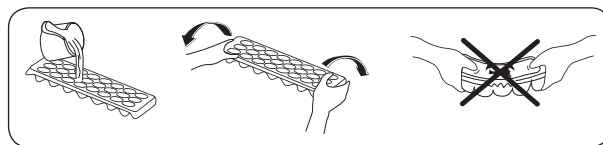
- For freezing fresh food and storing frozen and deep-frozen food for a long time.

Thawing food

- In the refrigerator compartment
- At room temperature
- In a microwave oven
- In a convection oven
- Food once thawed should be refrozen with the exception of special cases.

Ice Tray

- Fill the ice tray with water and place in the freezer compartment.
- After the water has completely frozen, you can twist the tray as shown below to remove the ice cubes.

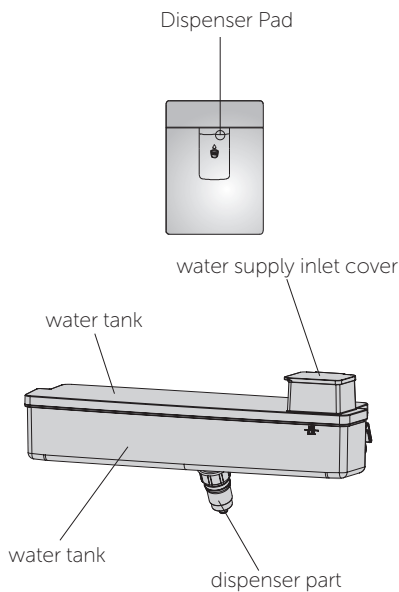


Using your Combi Fridge-Freezer

Getting the most from your appliance

Water dispenser

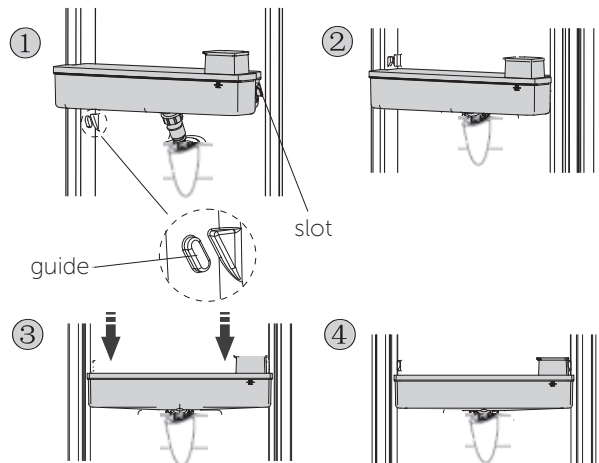
The water dispenser, located in the fridge door, is for storing drinking water. With this appliance you can obtain chilled water easily without opening the refrigerator. You should review of following tips.



Assembling

Before assembling, please drain the water inside the tank, and check whether the washer reversed or not.

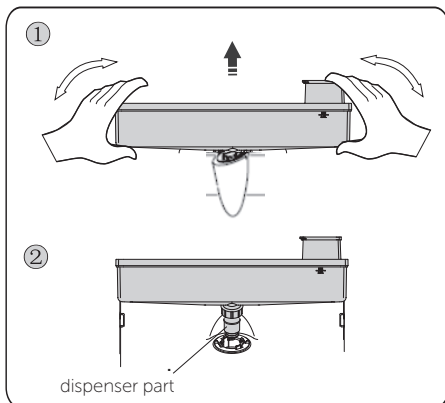
1. Insert the head into the hole.
2. Fit the tank along the guides on the door.
3. Press down two side of the tank.
4. When you hear a click sound, that means the installation is completed.



Before using

Before using this appliance for the first time, you should use it based on following instructions:

1. Hold the two sides of the water tank tightly, then pull up the water tank by shaking up and down.
2. Unscrew the head, then clean it and the inside of water tank.

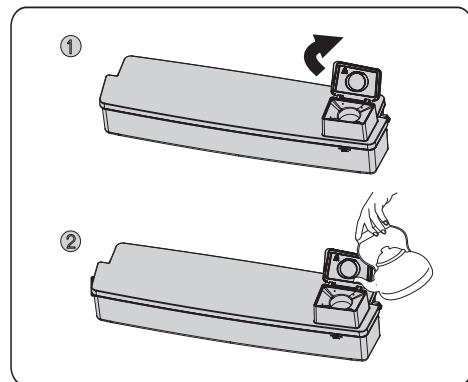


Warning!

1. Be careful not to press on the head;
2. When fitting the water tank, ensure the head inserted into the hole first.

Filling water

1. Open the water supply inlet cover from the left side.
2. Fill with water.



Using your Combi Fridge-Freezer

Getting the most from your appliance

Caution!

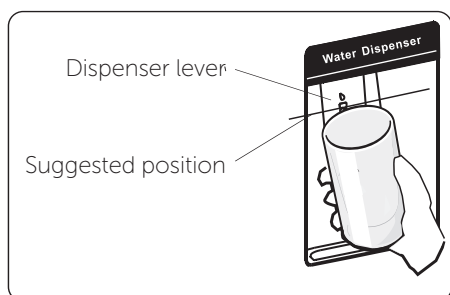
- Fill with water up to 2.5L (which is suggested), and not above the level. Otherwise, it may overflow even when the cap cover is close.
- Other beverage (milk, juice, carbonated beverage etc) is not suggested to be used than potable water. Especially beverage including grain must not be used (may result in failure).
- Hot water can not be filled into the water tank directly.

Warning!

Don't touch other parts of the appliance when filling water, it may cause the water leakage.

Receiving Water

You should use the correct cups to receive water underneath the water dispenser.



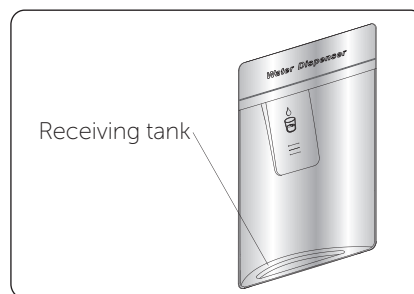
Warning!

Don't push the dispenser lever forward without cup, it may cause the water leak from the dispenser.

Cleaning

1. Put the water tank out of the door carefully, and then wash the tank cap cover, cover bucket, and the valve lightly in water.
2. After you have finished cleaning the appliance, you should dry it by natural drying or using the dryer.

3. You should clean the receiving tank with dry towel regularly to avoid overflowing.



Using your Combi Fridge-Freezer

Getting the most from your appliance

Helpful hints and tips

Energy saving tips

- Place your fridge away from direct sunlight, your oven or any other heat sources. Allow 10 cm clear space on both sides and above, and at least 5 cm behind.
- Cover all food stored, and arrange it so that cold air can circulate freely.
- Higher cold setting will use more energy. Do not set to maximum cold if it is not necessary.
- Cool the hot/warm food to room temperature before put them into your fridge.
- Frequently open and close door would cause internal temperature rise and it will consume more energy.
- Close the doors properly, and make sure the seals and hinges are airtight. Check the seals by putting a sheet of paper between the door and the main body of the fridge. If the paper moves, your seals need replacing.
- Defrost regularly if your refrigerator is not a frost-free or cyclic defrost model. Accumulated ice layer should not be more than 5 mm thick.
- The preset combination of drawers, baskets and shelves have already set in the most efficient use of this product.

Hints for refrigeration

- Do not place hot food directly into the refrigerator or freezer, the internal temperature will increase resulting in the compressor having to work harder and will consume more energy.
- Do cover or wrap the food, particularly if it has a strong flavor.
- Place food properly so that air can circulate freely around it.
- Meat (all types) Wrap in polythene food: wrap and place on the glass shelf above the vegetable drawer. Always follow food storage times and use by dates suggested by manufacturers.

- Cooked food, cold dishes, etc. should be covered and may be placed on any shelf.
- Fruit and vegetables should be stored in the special drawer provided.
- Butter and cheese should be wrapped in airtight foil or plastic film wrap.
- Milk bottles should have a lid and be stored in the door racks.

Hints for freezing

- When first starting-up or after a period out of use. Before putting the food in the compartment, let the appliance run at least 2 hours on the higher settings.
- Prepare food in small portions to enable it to rapidly and completely frozen and to make it possible to subsequently thaw only the quantity required.
- Wrap up the food in aluminum foil or polyethylene (plastic) and make sure that the packages are airtight.
- Do not allow fresh, unfrozen food to touch food that is already frozen, thus avoiding a rise in the temperature of latter.
- Iced products, if consumed immediately after removal from the freezer compartment can possibly cause skin to become freezer burnt.
- It is recommended to label and date each frozen package in order to keep track of the storage time.

Hints for the storage of frozen food

- Make sure that commercially frozen food was stored by the retailer.
 - Once defrosted, foods deteriorate rapidly and can not be re-frozen.
 - Do not exceed the storage period indicated by the food manufacturer.
- Note: If the appliance contains related accessories and functions.

Using your Combi Fridge-Freezer

Getting the most from your appliance

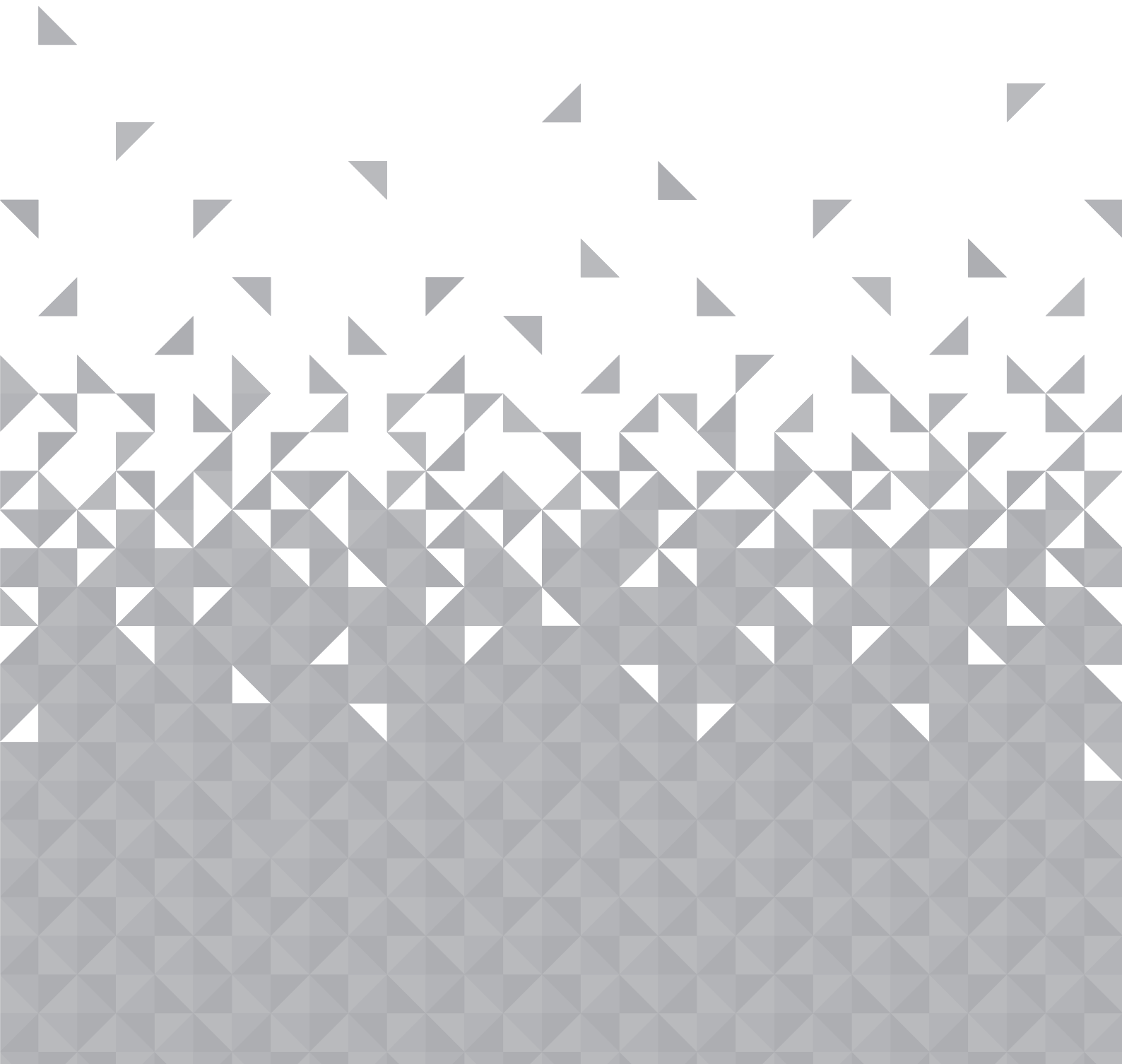
Useful information

The following guide lines and recommendations are suggested to obtain the best results and storage hygiene.

- Frequent door openings can cause internal temperature to rise so the doors should be closed as soon as possible after use.
- For hygiene reasons, it is always a good practice to pack, wrap and cover the food before storing.
- Use a polythene bag to store raw meat and place on the lowest shelf. Avoid contact with cooked food to prevent contamination. For safety reason, - store raw meat for two to three days only.
- Cooked dishes must be stored in airtight covered containers.
- Food should cool to room temperature.
- Most vegetables should be blanched and chilled before freezing.
- Bottles can be placed in the door section.
- Some fruits and vegetables like pineapples, melons, tomatoes, and cucumbers should be wrapped in polythene bags.
- Do not leave frozen food at room temperature to thaw, You could defrost the food by putting it in the fridge to thaw slowly, Make sure you avoid defrosting food dropping food juices on to other food.
- A high temperature setting may accelerate food to turn bad, hence increase food waste. Therefore for optimum food preservation, a middle temperature setting (5) is generally the most safe and suitable.

Care and Maintenance

6



Care and maintenance

Looking after your appliance

Cleaning

Important: Always unplug the appliance from the power socket during cleaning and maintenance.

- Never use any sharp instruments or abrasive substances, soap, household cleaner, detergent or wax polish for cleaning.
 - Use luke warm water to clean the cabinet of the appliance and wipe it dry.
 - Never clean the appliance with flammable fluids. It could cause damage and a fire hazard.
 - Clean the exterior of the appliance and door seal with a damp cloth and dry it through.
 - Avoid water going into the temperature control box. Clean with a dry cloth only.
 - Shelves are all removable for cleaning purpose.
 - Dusts behind the refrigerator and on the ground shall be timely cleaned to improve the cooling effect and energy saving.
 - The interior of the refrigerator should be cleaned regularly to avoid odor.
 - Check the door gasket regularly to make sure there are no debris.
 - Please turn off the power before cleaning remove all food, shelves, drawers, etc.
 - Clean the door gasket with mild soap and water.
 - Use a soft cloth or sponge to clean the inside of the refrigerator, with two tablespoons of baking soda and a quart of warm water. Then rinse with water and wipe clean, and open the door and dry it naturally before the power is turned on.
 - For areas that are difficult to clean in the refrigerator (such as narrow sandwiches, gaps or corners), it is recommended to wipe them regularly with a soft rag soft brush, etc. And when necessary, combined with some auxiliary tools (such as thin sticks) to ensure no contaminant accumulation in these areas.
- *Do not use soap, detergent, scrub powder, spray cleaner, etc., as these may cause odors in the interior of the refrigerator.

- Clean the door racks, shelves and drawers with a mild detergent and dry with a soft cloth.
- Wipe the outer surface of the refrigerator with a soft cloth dampened with soapy water, detergent, etc., and then wipe dry.
- Do not use hard brushes, clean steel balls, wire brushes, abrasives, such as toothpastes, organic solvents (such as alcohol, acetone, banana oil, etc.), boiling water, acid or alkaline items clean refrigerator considering that this may damage the fridge surface and interior.
- Do not rinse with water so as not to affect the electrical insulation property.

Defrosting

Defrosting in the fridge compartment

- It is operated by switching the thermostat to lower setting or off. Water from the defrosting process will automatically be drained into a drip tray through a drain pipe at the back of the appliance.

Defrosting in the freezer compartment

- Defrosting in the freezer chamber is operated manually. Before defrosting, take the food out.
- Take the ice tray and drawers out or put them into the fresh food compartment temporarily.
- Set the knob of the temperature regulator to the "0" (where the compressor will stop working) and leave the freezer door open until ice and frost dissolve thoroughly and accumulate at the bottom of the freezer chamber. Wipe out the water with soft cloth.
- In order to speed up the process of defrosting, you may put a bowl of warm water (about 50°C) into the freezer chamber and scrape away the ice and frost with a defrosting spatula. After doing so, be sure to set the knob of the temperature regulator to the original position.
- It is not advisable to heat the freezer chamber

Care and maintenance

Looking after your appliance

directly with hot water or hair dryer while defrosting to avoid deformation of the inner case.

- It is also not advisable to scrape off ice and frost or separate foods from the containers which have been congealed together with the food with sharp tools or wooden bars, so as not to damage the inner casing or the surface of the evaporator.



Warning!

To switch off the appliance before defrosting, turn the temperature regulator to the "0" position.



Notice!

The appliance should be defrosted at least once a month. During its usage, if the door has been used in extreme humidity, we advise the user to defrost every two weeks.

Taking the appliance out of service

- Empty the appliance.
- Pull out the power plug.
- Clean thoroughly (see section: Cleaning and Care).
- Leave the door open to prevent odors.

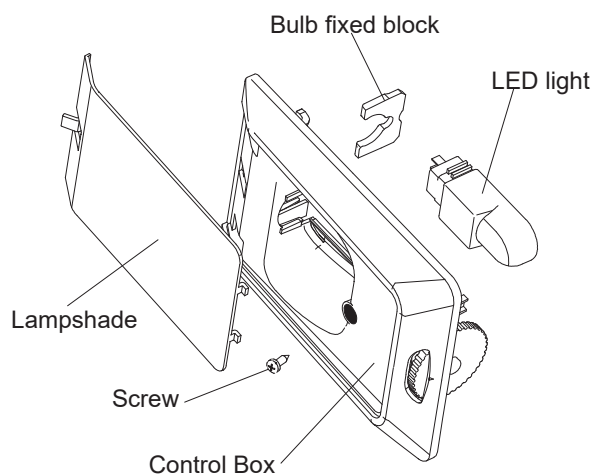
Light bulb replacement

This appliance is equipped with LED light bulb. It can be used for long time. In case ,the LED bulb is blown, it must be replaced by the qualified person to avoid any hazard. Contact the service agent at 0345 257 7271.

Before changing the LED light, switch off the appliance and unplug it, or pull the fuse or the circuit breaker.

Light data: 220-240 V, max. 1.5 W

1. To switch off the appliance, set the temperature regulator to position "0".
2. Unplug the mains plug.
3. Press the Lampshade. And slide it backwards.
4. To change the LED light, undo the screw.
5. Remove the bulb fixed block, change the defective LED light .
6. Refit the bulb fixed block, the LED light cover and the screw.
7. Put the refrigerator back into operation.



Care and maintenance

Looking after your appliance

Power failure

In case there is a power failure, you should take the following actions:

If it lasts less than 24 hours, keep the doors closed. This will allow the stored food to stay cold as long as possible. If it lasts more than 24 hours, it is advised to empty the freezer compartment and temporarily store the food in a portable freezer or using artificial ice packs. Try to stay cold for as long as possible.

Remarks: Full appliance will stay cold longer than a partially filled one. If ice crystals are still visible on the food, it may be frozen again, although flavour and aroma may be affected. If food is found to be in a poor condition, it is best to throw it away.

Short vacation

There is no need to disconnect the appliance from the mains if you will be away for two to three weeks. Use up the perishable food.

Long vacation

Remove all the food if you are away for three weeks or more. Unplug the appliance and leave the doors open to provide air circulation to prevent odour and mould.

Moving your appliance

Refer to section "Transportation" under "installation".

Care and maintenance

Looking after your appliance

Technical specification

Brand	BUSH
Model	ME55180FFWTDB
	ME55180FFWTDS
	ME55180FFWTDW
Energy Efficiency class	E
Annual Energy Consumption (kWh/a)	210
Fresh Food Compartment volume (litres)	197
Freezer 4-start Compartment Volume (litres)	71
Total Volume (litres)	268
Frozen food compartment rating	✱***
Climate class	N / ST
Operating noise level dB(A)	39
Product Dimensions(mm)(W*D*H)	550x558x1800
Defrosting type	Manual defrost
Temperature range for fridge compartment	0~8°C
Temperature range for freezer	≤-18°C

The model information can be retrieved using the QR-code reported in the energy label. The label also includes the model identifier that can be used to consult the portal of the registry at <https://eprel.ec.europa.eu>.

This product contains a LED lamp which does not meet the definition of light source/control gear defined in regulation (EU) 2019/2020.

We apologize for any inconvenience caused by any minor inconsistencies in these instructions, which may occur as a result of product improvements and development.

Disposal of the appliance


It is prohibited to dispose of this appliance as household waste.

Before disposal of the appliance

1. Pull out the mains plug from the mains socket.
2. Cut off the power cord and discard with the mains plug

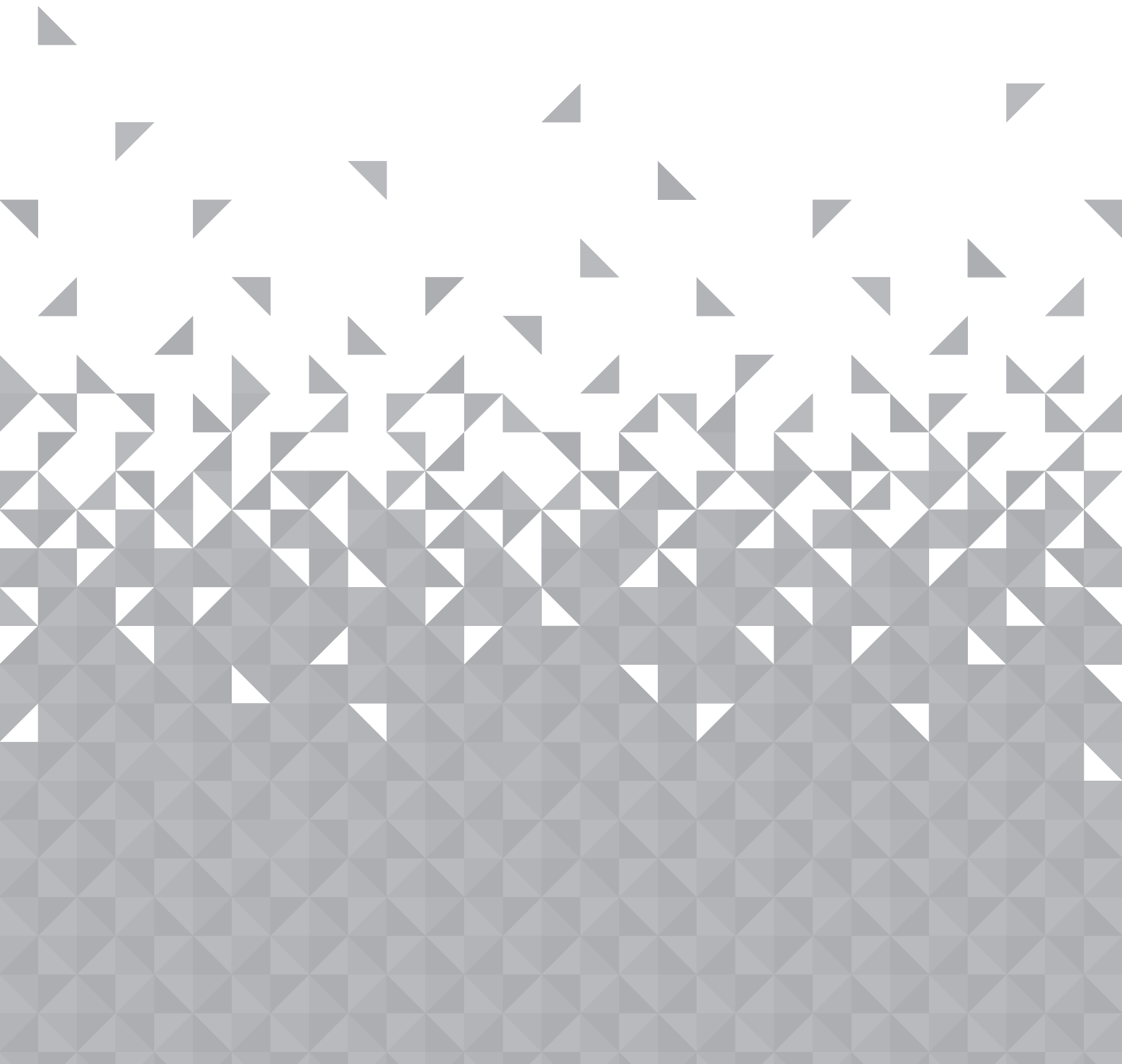
Warning!

- Refrigerators contain refrigerant and gases in the insulation. Refrigerant and gases must be disposed of professionally as they may cause eye injuries or ignition. Ensure that tubing of the refrigerant circuit is not damaged prior to proper disposal.
- Doors and lids of the refrigeration appliance should be removed before disposal in the landfill to avoid children or animals getting trapped inside.
- Remember: Old fridges must be disposed of carefully - older models contain CFC gases that are harmful - if in doubt, contact your local council for details on how to dispose of an old fridge .

Correct Disposal of this product	
	<p>This symbol on the product or in its packing indicates that this product may not be treated as household waste. Instead, it should be taken to the appropriate waste collection point for the recycling of electrical and electronic equipment. By ensuring this product is disposed of correctly, you will help prevent potential negative consequences for the environment and human health, which could otherwise be caused by the inappropriate waste handling of this product. For more detailed information about the recycling of this product, please contact your local council your household waste disposal service, or the shop where you purchased the product.</p>

Product Support

7



Product support

Help is always at hand

Troubleshooting

If you have a problem with your product, these questions may be able to assist you.

Question: Appliance does not work.

Answer:

Appliance is not switched on- Switch on the appliance.

Mains plug is not plugged in or is loose. - Insert mains plug.

Fuse has blown or is defective - Check fuse,replace if necessary.

Socket is defective - Mains malfunctions are to be corrected by an electrician.

Question: Appliance cools too much.

Answer:

Temperature is too cold. - Adjust the setting to a warmer setting.

Question: The food is too warm.

Answer:

Temperature is not properly adjusted. - Adjust the setting to a cooler setting.

Door was open for an extended period. - Open the door only as long as necessary.

A large quantity of warm food was placed in the appliance. - Adjust the setting to a cooler setting. Cool warm food before placing in the refrigerator.

The appliance is near a heat source. - Position the refrigerator away from a heat source.

Question: Interior light does not work.

Answer:

The LED bulb is blown. - Replace the LED bulb by the assistance of qualified person to avoid any hazard.

Contact the service agent at 0345 257 7271.

Question: Heavy build up of frost, possibly also on the door seal.

Answer:

Door seal is not air tight. - Carefully warm the leaking sections of the door seal with a hair dryer (not hotter than approx 50°C). At the same time shape the warmed door seal by hand such that it sits correctly.

Question: Water on the floor or on storage shelves.

Answer:

Water drain hole is blocked. - Remove food residue or ice from the entrance of the drain hole.

Product support

Help is always at hand

Question: Appliance is making unusual noises.

Answers:

Appliance is not level. - Readjust the front leveling feet.

Appliance is in contact with wall or other objects. - Push appliance away a short distance.

A part at the back of the appliance, e.g. a tube, is in contact with another appliance part or wall. - Gently bend this part away carefully if necessary.

Question: Water flow from the water dispenser is abnormal.

Answer: Check that if the tank is well installed and the water volume is too low.

Question: Dripping occurs at the water dispenser.

Answer: Check that if the tap and the tap gaskets are well assembled.

Product support

Help is always at hand

Help and assistance

If you require any technical guidance or find that your Combi Fridge-Freezer is not operating as intended, a simple solution can often be found in the **Troubleshooting** section of these instructions or online at www.bush-support.com.

If you still require further assistance, call one of our experts on **0345 257 7271***. To help give us give you a fast and efficient service please have the following information ready:

Model Ref.	<input type="text"/>	You can find these on the rating plate - a small information panel (usually a sticker or metal plate) on the rear of your appliance.
Serial number	<input type="text"/>	
Date of purchase	<input type="text"/>	This will be shown on your receipt.

Local call rates applies*

Lines open 8am-7pm Monday to Saturday and 10am-4pm Sunday.

*Calls to Argos enquiry lines may attract a charge and set up fee from residential lines depending on your call plan/tariff . Mobile and other providers costs may vary, see www.bt.com/pricing for details.

For Security and training purposes, telephone calls to and from customer service centres maybe recorded and monitored. Calls from Republic of Ireland will attract international call charges.



This appliance complies with the following EEC directives:
2014/35/EU Low voltage directive
2014/30/EU EMC directive

Spare Parts Supply

To order spare parts, please contact our customer helpline: **0345 257 7271**. The original spare parts for some specific components are available for a period of 7 or 10 years, based on the type of component, from the placing on the market of the last unit of the model.

If you require any technical guidance or find that your product is not operating as intended, a simple solution can often be found in the Troubleshooting section of these instructions.

Product support

Help is always at hand



Call us now and activate your 12 month guarantee

Thank you for choosing Bush. Your new product is guaranteed against faults and breakdowns for 12 months. Don't forget to register it with us today so we can provide you with our best possible after-sales service and useful updates.

www.bushregistration.co.uk

FREEPHONE*

0800 597 8548

Lines are open 8am - 8pm, 365 days a year. *Calls may be recorded and monitored

Your Bush Guarantee

This product is guaranteed for twelve months from the date of original purchase. Any defect that arises due to faulty materials or workmanship will be repaired free of charge (or if applicable the product will be replaced or the purchase price refunded) where possible during this period by the dealer from who your purchased the unit.

The guarantee is subject to the following provisions:

- The guarantee does not cover accidental damage, misuse, cabinet parts, knobs or consumable items.
- The product must be correctly installed and operated in accordance with the instructions contained in the manual.
- It must be used solely for domestic purposes. The guarantee will be rendered invalid if the product is re-sold or has been damaged by inexpert repair.
- Specifications are subject to change without notice.
- Bush disclaim any liability for loss or damage arising from the breakdown of the product.
- This guarantee is in addition to and does not diminish your statutory or legal rights.

Important Data Protection Information

To find out how we and Domestic & General Insurance, please refer to the guarantee registration material or visit www.bushregistration.co.uk.

BUSH

Produced in China for
Argos Limited, London, EC1N 2HT, UK.
Argos (N.I.) Ltd., Forestside Shopping Centre,
Upper Galwally, Belfast, BT8 6FX, UK.

Contact:
www.argos-support.co.uk

Helpline: 0345 257 7271