

HOW TO INSTALL YOUR STANDARD SIZED SLIDING DOORS

Read carefully through these instructions before you start

PLEASE READ before starting assembly. Carefully open the packs supplied and check the contents against the parts and fittings check list. Do Not dispose of the packaging until you are certain that you have all the necessary parts for the assembly. The manufacturer reserves the right to alter specifications without prior notice.

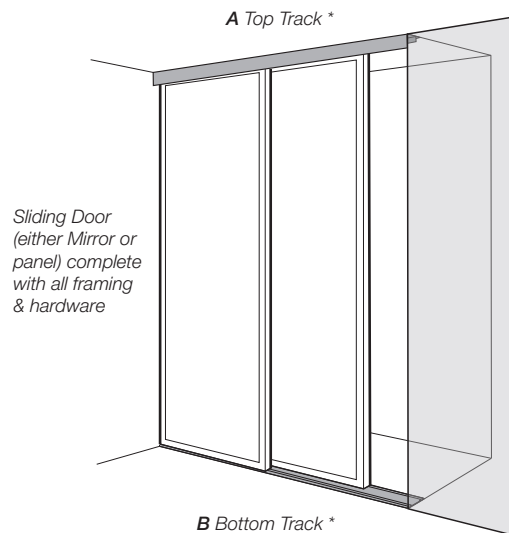
IMPORTANT NOTES:

1. Please ensure that the packaging is disposed of in a safe environmentally friendly way.
2. There are small components used in the construction of the door frame. These loose items should be kept away from young children whilst assembling.
3. Protect the high finish of the tracks by using a suitable material on the working surface during assembly.
4. We recommend that two people carry out this assembly.
5. Make sure there are no pipes or cables where you are drilling.

Identify and, if necessary, construct the correct opening width for your doors using the table below and instructions A to E shown on the back page.

All Doors are made to fit a standard opening height of **2260mm**. A higher ceiling can be reduced using Spacer Blocks or Opening Height Reducers as shown in section E on the back page.

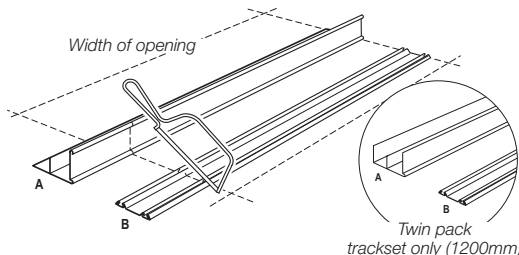
We provide these components with your Wardrobe Doors and Track-Set. Components marked with * are supplied in the Track-Set. The Top Guides and Bottom Wheels are pre-fitted to the Wardrobe Doors.



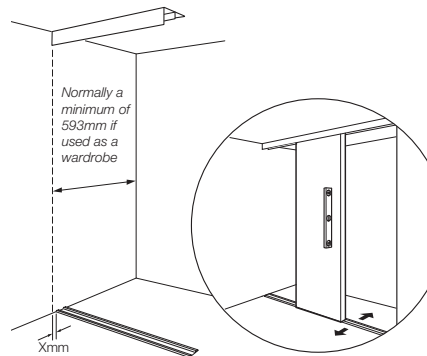
You will also need: Pozidrive screwdriver, Hacksaw, Tape measure, Bradawl, Spirit level, Electric drill, Drill bits and suitable wall plugs.



1 Sizing the Tracks
Measure the width of the top of your opening. Using a set square mark a straight line across the Top Track A. Measure the width of the base of your opening. Mark a corresponding line across the Floor Track B. Cut the tracks using a fine tooth hacksaw



2 Installing the Tracks
Top Track - Position the Track into the top of the opening. Mark where holes need to be drilled in the track (we recommend a fixing at each end and centre then at approx 500mm intervals in between). Drill and plug the header/ceiling in line with the holes drilled in the track and fix the top track using the long screws provided (see back page for suggestions).



Floor Track - Position the track on the floor of the opening. Mark where holes need to be drilled in the track (we recommend a fixing at each end and centre then at regular intervals in between). Before permanently fitting the floor track to your floor, fit the door into place and using a spirit level adjust the Floor Track so the door becomes vertical.

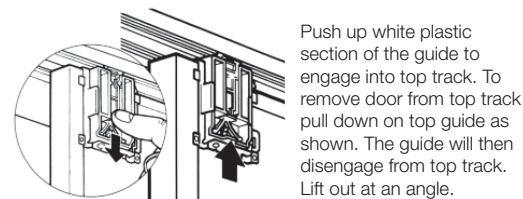
3 Positioning the Doors
(Not Applicable to Twin pack doors)

Position your doors in the appropriate combinations shown below, to allow for overlapping.



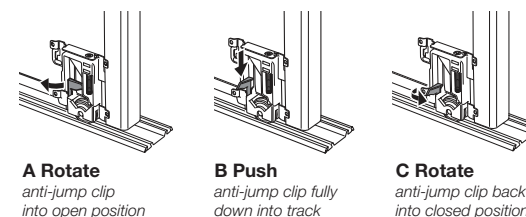
4 Installing the Doors
Always locate the back door/s first. Angle the door and insert the top of the door into the top track. Straighten the door and lower the bottom wheels into the Floor Track grooves.

5 Engaging the Top Guide
(Not Applicable to Twin pack doors)



6 Adjusting the Doors
Align the doors so the end doors are plumb to the side walls. Adjust the bottom wheels using a pozidrive screwdriver, altering the height and angle of each door. Turn the screw clockwise to raise the door and anti-clockwise to lower the door.

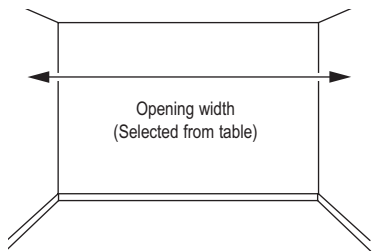
7 Engaging Anti-jump Clips
Clips must be engaged to ensure doors do not leave tracks.



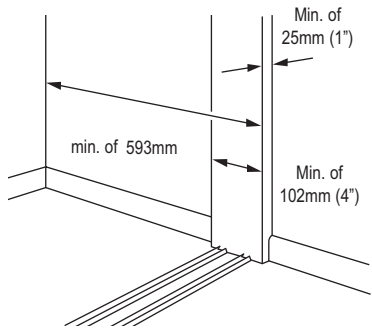
To disengage anti-jump clip just reverse procedure.
Note: In the unlikely event of anti-jump clip becoming detached during engagement, simply snap it back into original position shown on drawing A.

HOW TO CONSTRUCT YOUR OPENING WIDTH

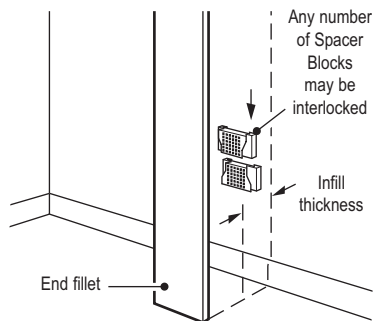
A Fitting to the wall



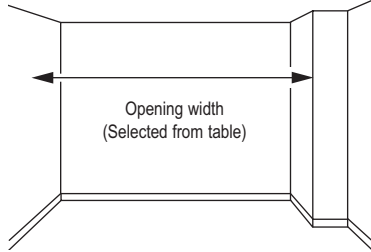
The use of end filllets is recommended to allow the doors to slide flush where an existing skirting board is fitted. Remove a section of the skirting and fit an end fillet.



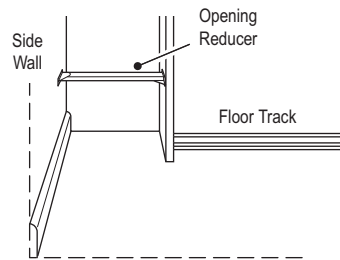
To reduce your opening width by up to 127mm / 5" on each side use Spacer Blocks together with the end fillet and appropriate infill. Detailed instructions are provided with each Spacer Block pack.



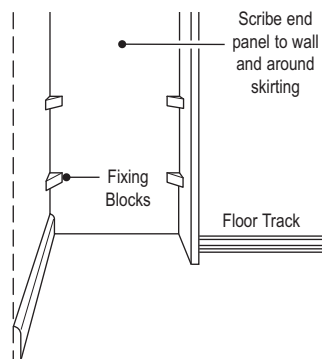
B Fitting Wall to side fillet



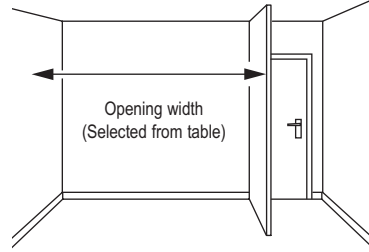
To reduce your opening width from between 127 - 457mm / 5 - 18" on each side you can use Opening Reducers fixed to the side wall. Detailed instructions are provided with each Opening Reducer.



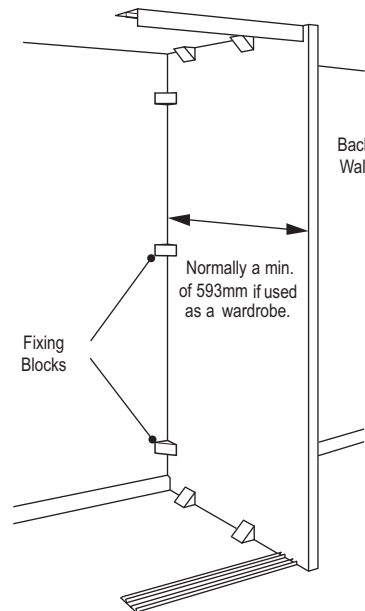
To reduce your opening by more than 457mm / 18" on each side you can construct an 'L' section using an end panel and end fillet. Jointed together with Fixing Blocks and scribed to fit the wall and skirting.



C Fitting Wall to end panel

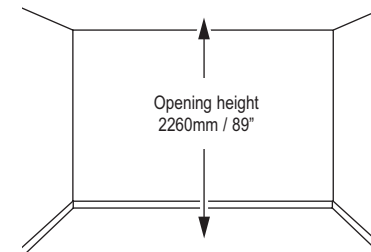


To stop the doors short of an obstruction such as a window or door, construct a return end panel from melamine faced chipboard. Cut to fit the exact ceiling height and scribe back edge to fit rear wall and skirting. Fix return end in position with Fixing Blocks equally spaced.



HOW TO CONSTRUCT YOUR OPENING HEIGHT

D Fitting Floor to Ceiling Height 2260mm

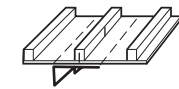


The Top & Bottom Tracksets can be fitted directly to your ceiling and floor using appropriate fixing, which you can buy from any good DIY center.

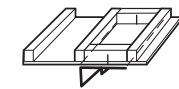
If in doubt about the strength of the fixings, use the methods below. Irregularities of plus or minus 12mm are automatically compensated by the top guide.



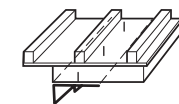
A For tracks running at right angles to the joists, make holes in the track in line with the joists to screw into the joists.



B For tracks running in line with the joists, make holes at regular intervals in the track and screw into the joists.



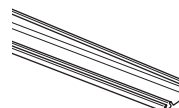
C For tracks between joists; fix noggins between the joists and screw into the noggins.



D For lathe and plaster; fix cantilever battens directly to the ceiling and screw into these.

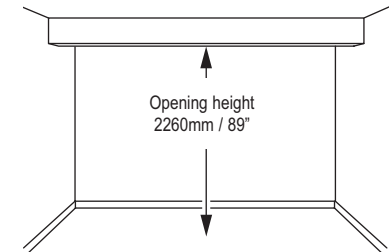


E For tracks fixing to a solid ceiling; drill and screw directly to the ceiling.

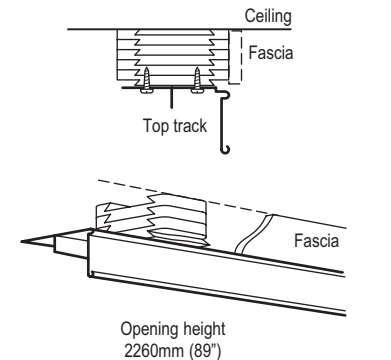


F Fix floor track directly on top of the carpet or floor covering using the short screws provided or double sided tape.

E Fitting Floor to Ceiling Height Over 2260mm



If your ceiling height is between 2272 - 2399mm / 89 1/2" - 94 1/2" use Spacer Block to reduce it to 2260mm / 89". Detailed instructions are provided with each Spacer Block pack.



For ceilings between 2399 - 2729mm / 94 1/2" - 107 1/2" use Opening Reducers. Detailed fixing instructions are provided with each Reducer pack.

