

Joshua Corner Sofa

Assembly Instructions - Please keep for future reference

625/9082

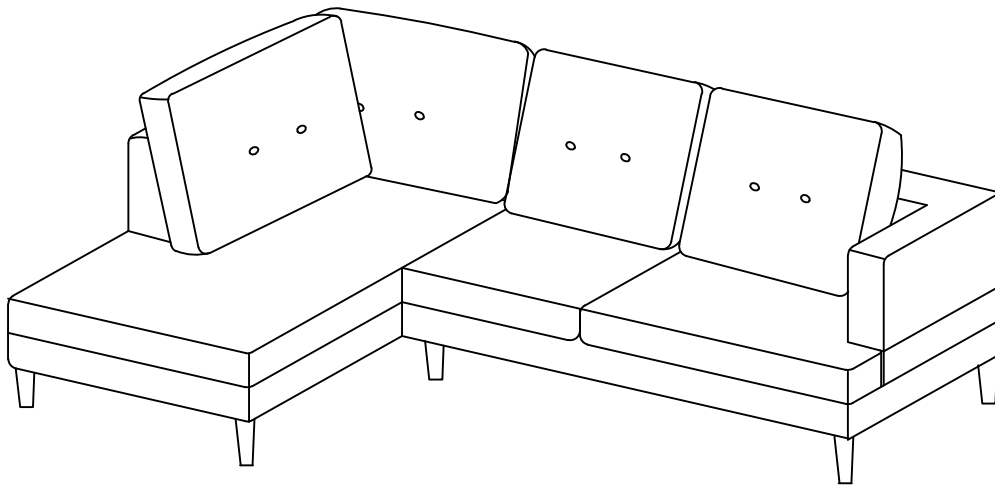
620/5737

607/6667

608/9647

654/7907

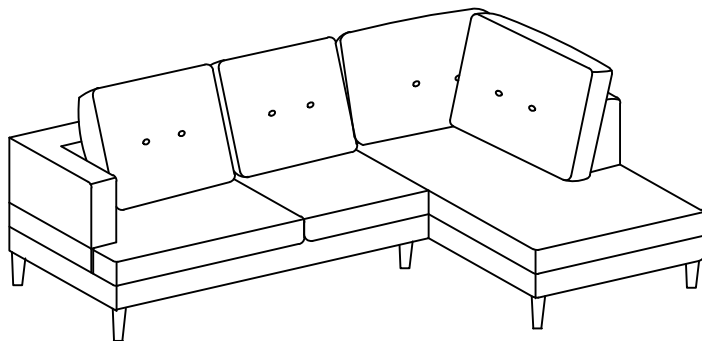
631/7333



608/9647

654/7907

631/7333



625/9082

620/5737

607/6667

Dimensions

Width - 200cm
Depth -137cm
Height -90cm

Important - Please read these instructions fully before starting assembly

If you need help or have damaged or missing parts, call the **Customer Helpline: 0345 6400 800**



Safety and Care Advice

Important - Please read these instructions fully before starting assembly

Check you have all the components and tools listed on pages 2.

Remove all fittings from the plastic bags and separate them into their groups.

Keep children and animals away from the work area, small parts could choke if swallowed.

Make sure you have enough space to layout the parts before starting.

Assemble the item as close to its final position (in the same room) as possible.

Assemble on a soft level surface to avoid damaging the unit or your floor.

Assembly requires 2 people.



We do not recommend the use of power drill/drivers **for inserting screws**, as this could damage the unit. Only use hand screwdrivers and Allen keys.

Dispose of all packaging carefully and responsibly.

Cleaning Guidance

Minor stains and spillages should be removed immediately from cushion fabric, by wiping over lightly with a damp cloth and mild soapy water.

Light marking can also be removed using this method.

To remove more stubborn stains or marking, a good quality proprietary domestic fabric cleaner can be used, although it should first be tested on and inconspicuous area of the fabric.

Care and maintenance

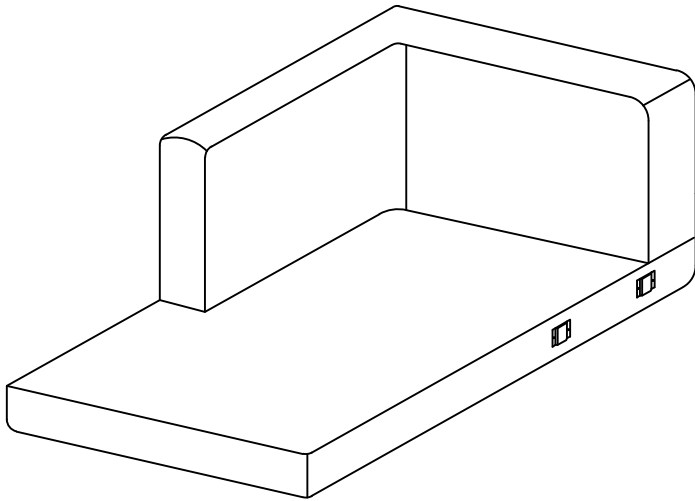
From time to time check that there are no loose screws on this unit.

This product should not be discarded with household waste. Take to your local authority waste disposal centre.

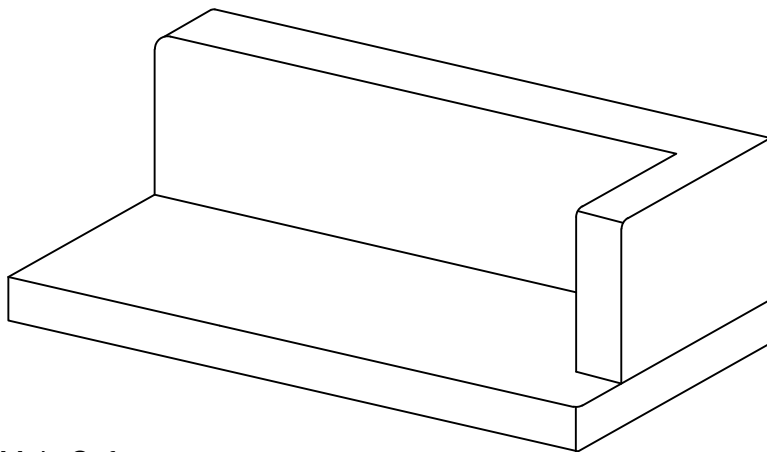
Components - Parts

If you have damaged or missing components.
call the **Customer Helpline**: 0345 6400 800

Please check you have all the parts listed below



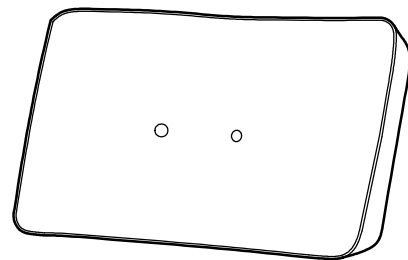
1 Sofa Return
(137 x 78 x 26cm)



2 Main Sofa
(123 x 78 x 26cm)



3 Leg x 8
(30 x 50 x 275cm)

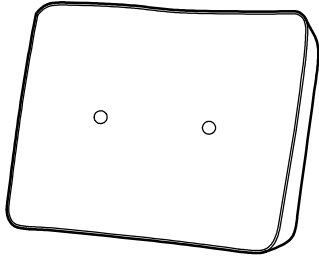


4 Large Back Cushion x 2
(67 x 43 x 15cm)

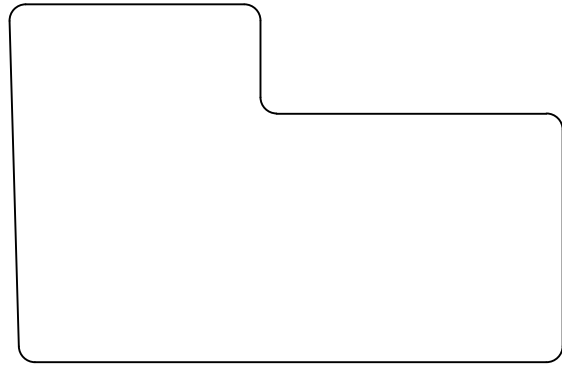
Components - Parts

If you have damaged or missing components.
call the **Customer Helpline:** 0345 6400 800

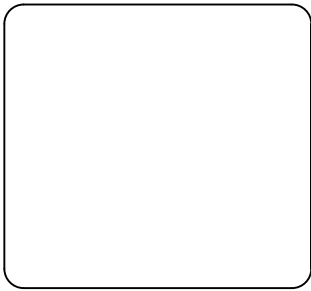
Please check you have all the parts listed below



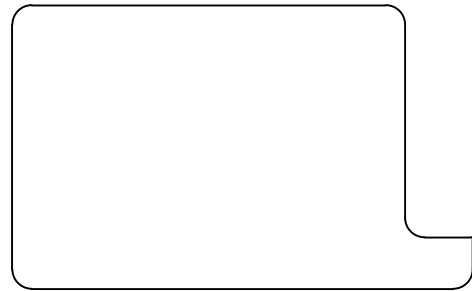
5 Small Back Cushion x 2
(55 x 43 x 15cm)



6 Return Seat Cushion x 1
(122 x 78 x 12cm)



7 Sofa Seat Cushion (small) x 1
(55 x 65 x 12cm)



8 Sofa Seat Cushion (large) x 1
(67 x 65 x 12cm)

Assembly Instructions

Step 1

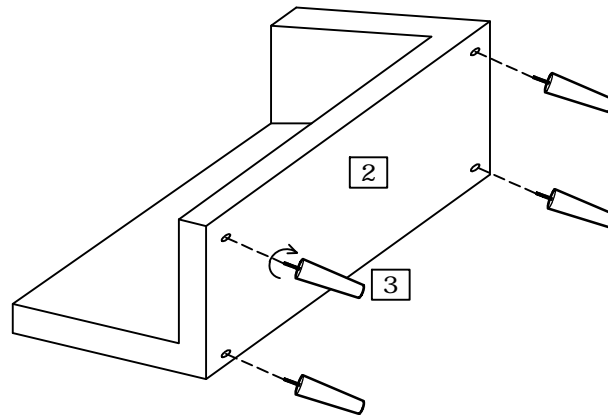
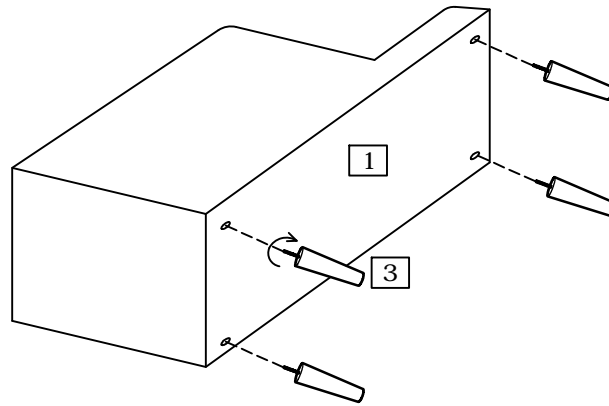
Attaching legs

With help, carefully turn sofa return **1** and main sofa **2** onto their backs.

Warning: The sofa is heavy. Lift with care.

Screws legs **3** into the sofa return and main sofa as shown.

Note: Ensure they are fully screwed in, but do not overtighten!



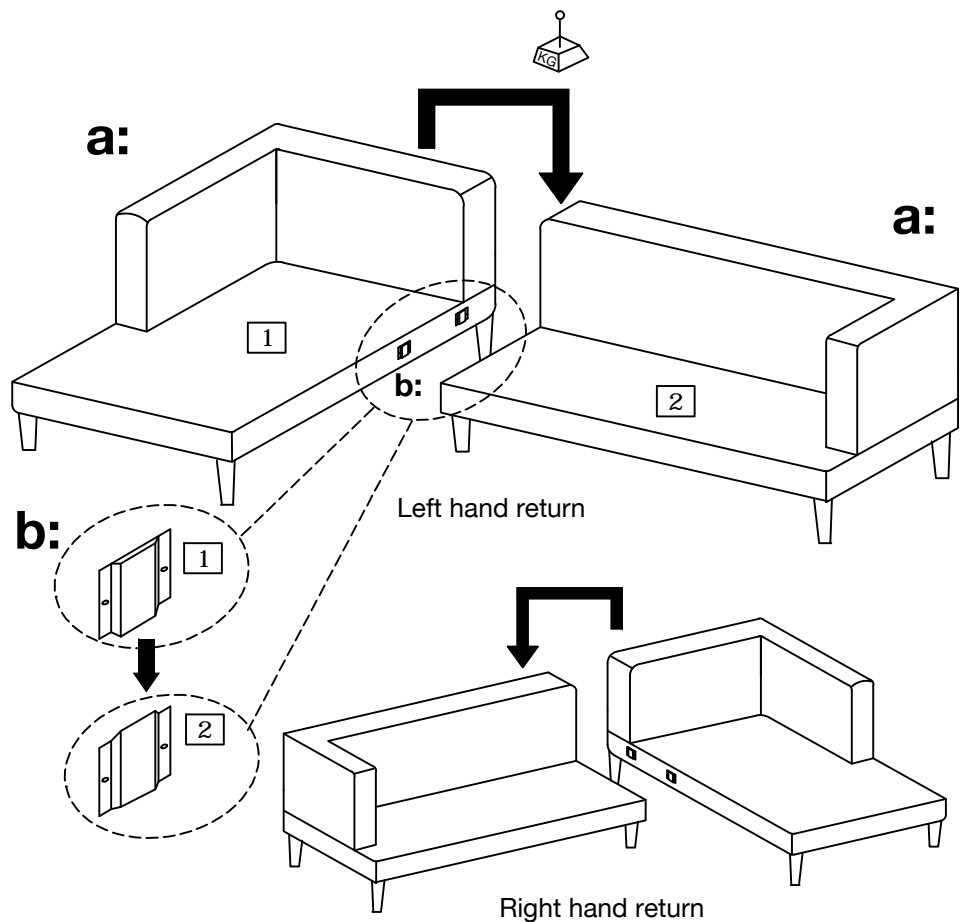
Step 2

Joining together

a: With help, carefully turn both sofas into the upright standing position.

b: With help, carefully connect both sofas together by engaging the metal brackets together as shown, and pushing firmly down.

Warning: The sofa is heavy. Lift with care.



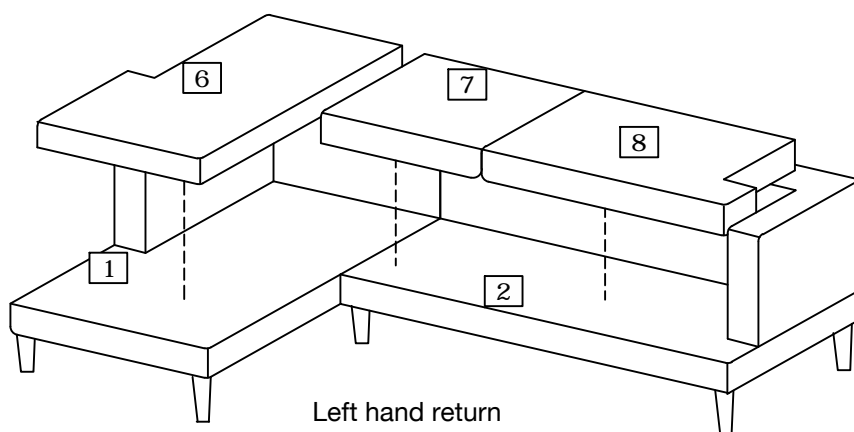
Assembly Instructions

Step 3

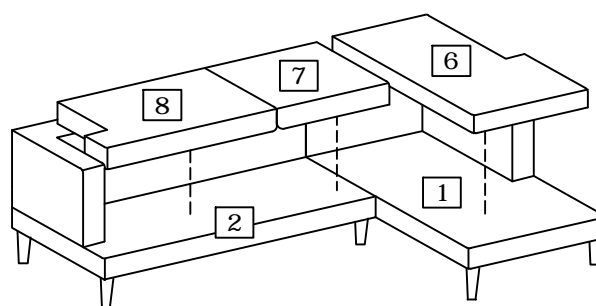
Placing seat cushions

Place return seat cushion **6** onto the sofa return **1**.

Small and large cushions **7** and **8** are located onto main sofa **2** as shown.



Left hand return



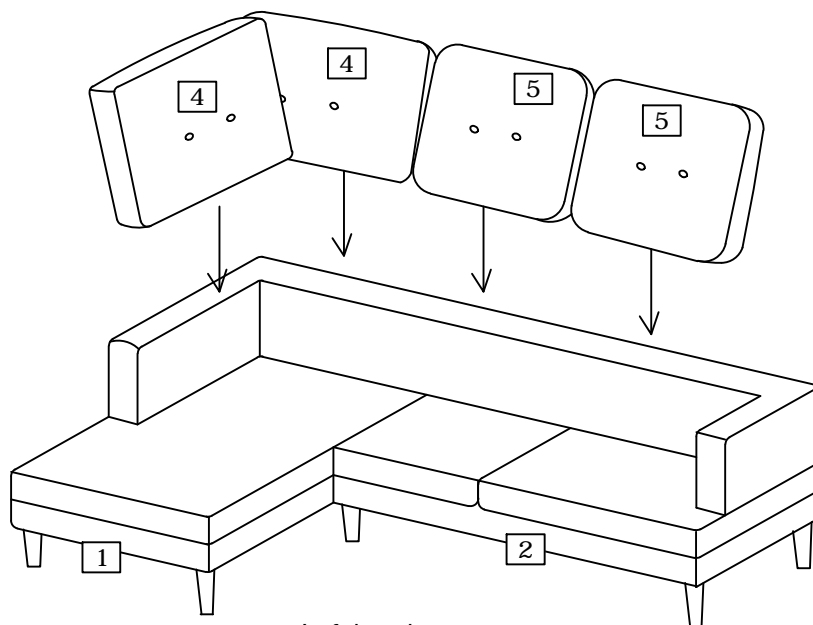
Right hand return

Step 4

Placing back cushions

Place large back cushions **4** onto the sofa return **1** as shown.

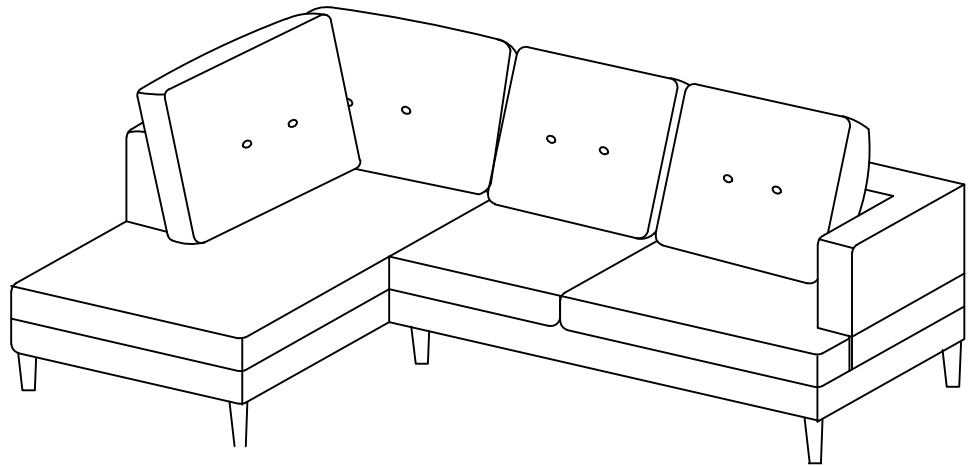
Place small back cushions **5** onto the main sofa **2**.



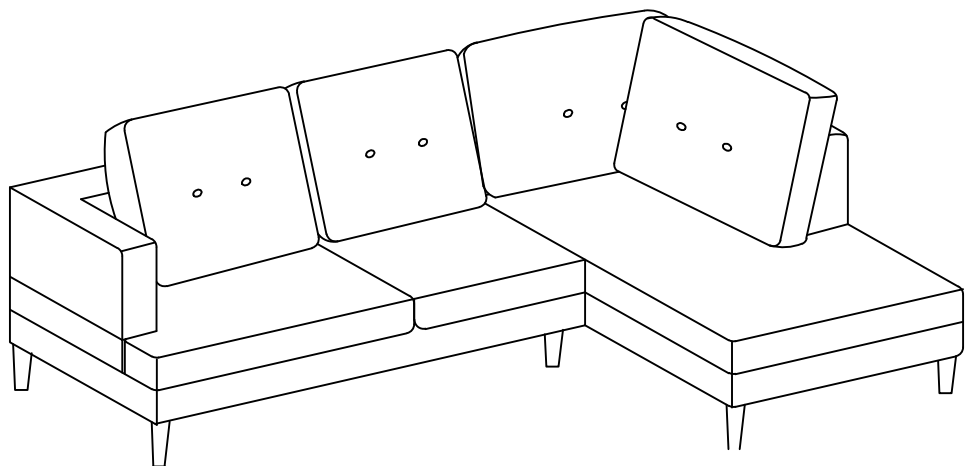
Left hand return

Assembly Instructions

Step 5



Left hand return



Right hand return

Assembly is complete.

If you need help or have damaged or missing parts, call the **Customer Helpline: 0345 6400 800**
Home Retail Group, 489-499 Avebury Boulevard, Saxon Gate West, Central Milton Keynes, MK9 2NW