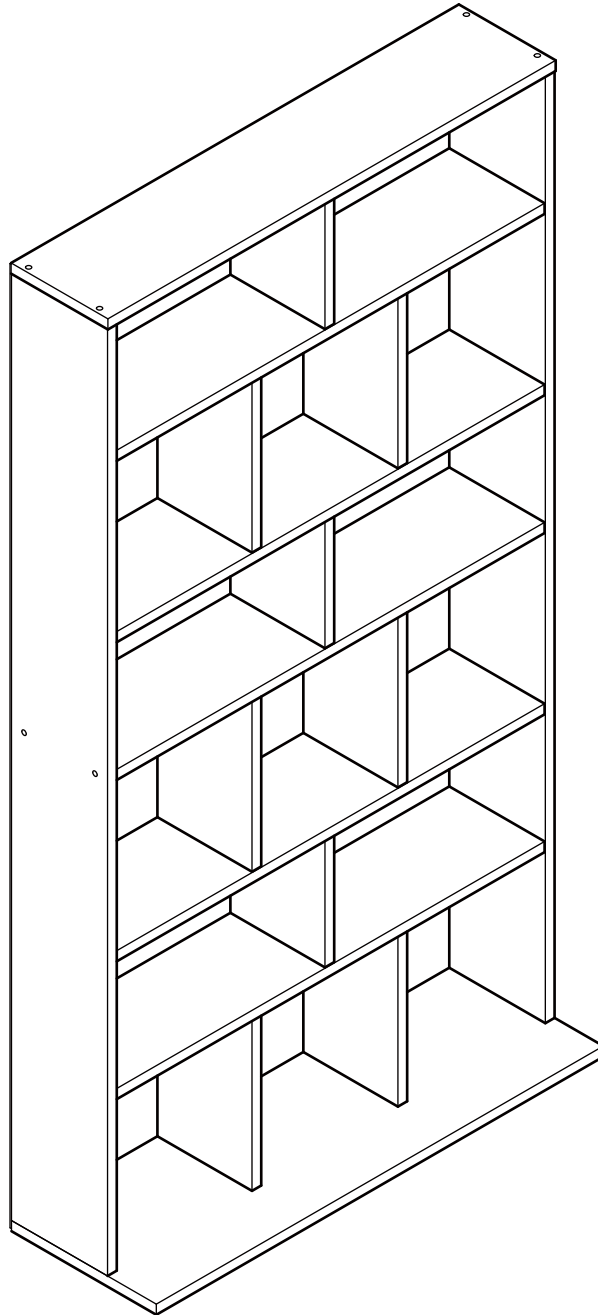


HM Wide Media Unit

457/2156

651/5070



Care & Instruction Manual

Please read and retain these instructions for future reference



Safety and Care Advice

Important – Please read these instructions fully before starting assembly

- Check you have all the components and tools listed on the following pages.
- Remove all fittings from the plastic bags and separate them into their groups.
- Keep children and animals away from the work area, small parts could choke if swallowed.
- Make sure you have enough space to layout the parts before starting.

- During assembly do not stand or put weight on the product, this could cause damage.
- Assemble the item as close to its final position (in the same room) as possible.
- Assemble on a soft level surface to avoid damaging the unit or your floor.
- Parts of the assembly will be easier with 2 people.



- To reduce the likelihood of damaging your product please ensure that your power drill is set on a low torque setting.

Care and maintenance

- Only clean using a damp cloth and mild detergent, do not use bleach or abrasive cleaners.
- From time to time check that there are no loose screws on this unit.
- This product should not be discarded with household waste. Take to your local authority waste disposal centre.

Handy Hints

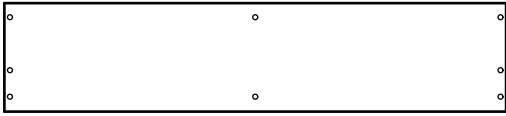
- Regularly check and ensure that all bolts and fittings are tightened properly.

Note: if required the next page can be cut out and used as reference throughout the assembly. Keep this page with these instructions for future reference.

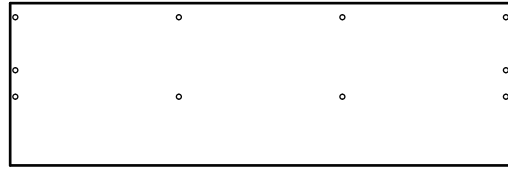
Components - Panels

If you have damaged or missing components, call the Customer Helpline: Argos = 0345 6400800

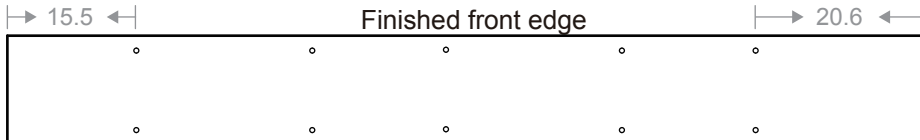
Please check you have all the panels listed below



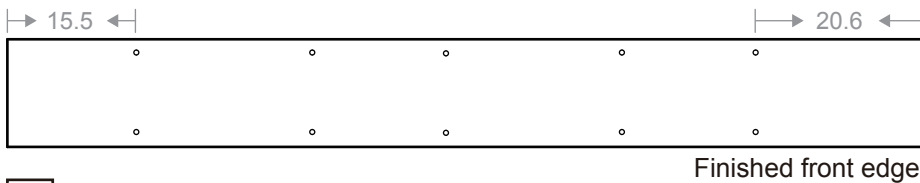
1 Top panel (60.6 x 13.1cm)



2 Bottom panel (60.6 x 19.6cm)



3 Right side panel (111 x 13cm)



4 Left side panel (111 x 13cm)



5 Middle Shelf (use screw) (58 x 12.9cm)



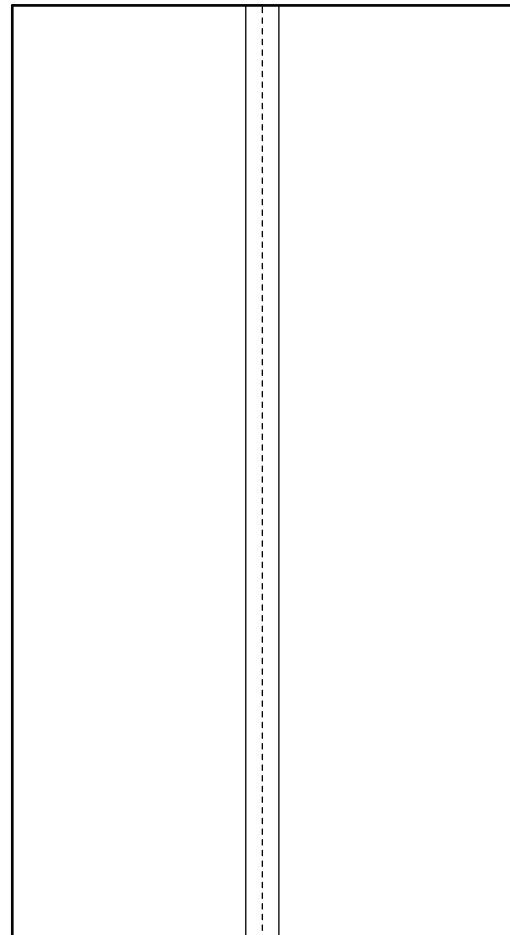
6 Shelf x 4 (use dowel) (58 x 12.9cm)



7 Small support x 3 (14.9 x 12.8cm)



8 Large support x 6 (20 x 12.8cm)



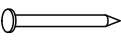


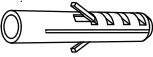




9 Back panel (60 x 113cm)

Components - Fittings

Please check you have all the fittings listed below

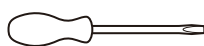
Note: The quantities below are the correct amount to complete the assembly. In some cases more fittings may be supplied than are required.

A  40mm Screw x 12	B  30mm Dowel x 56	C  Nail x 22
D  Screw cover x 8	E  14mm Screw x 2	F  Wall plug x 2
G  Wall strap x 2	(This screw is included in the wall strap bag)  x 2	

Tools required



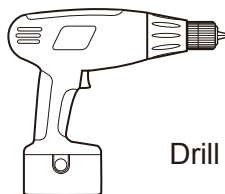
Phillips screwdriver
(medium & large)



Flatblade screwdriver
(medium)



7mm Suitable drill bit
(for use with wall plug)



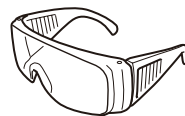
Drill



Small
hammer

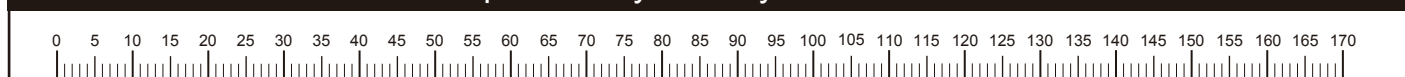


Ruler/tape
measure



Eye protection
(when using a
hammer or glue)

Ruler - Use this ruler to help correctly identify the screws



The screws length is measured from the head to the point (30mm screw shown).

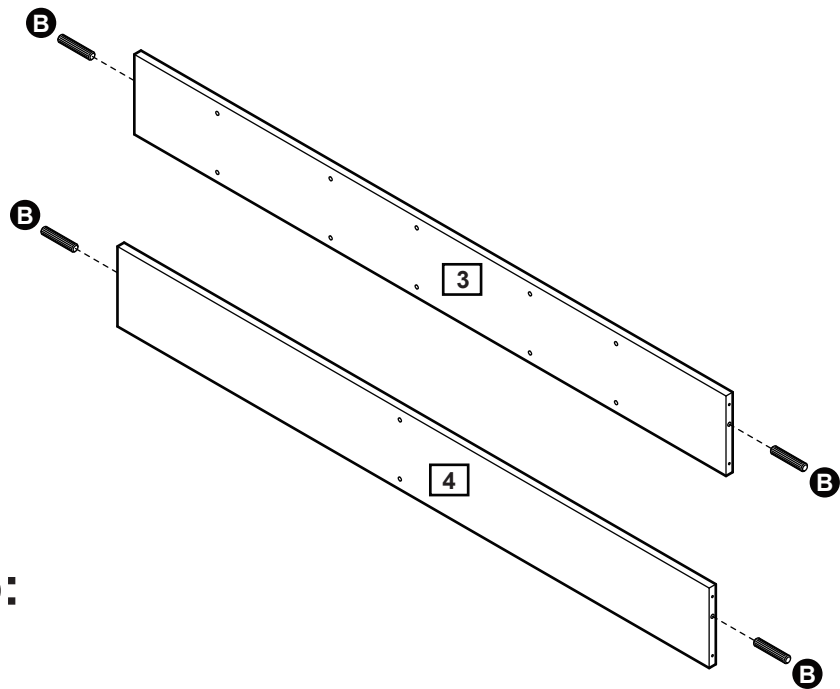
Assembly Instructions

Step 1

Insert dowels

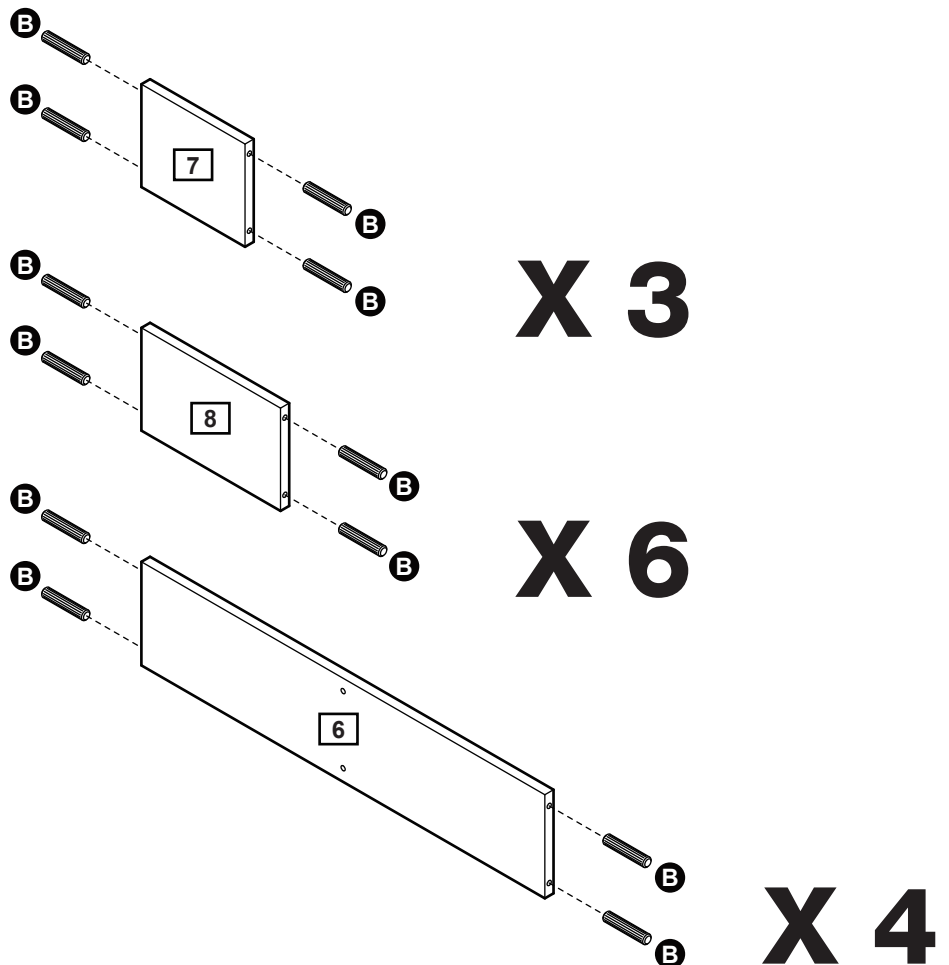
a: Insert Dowels **B** into Right side panel **3** and Left side panel **4**.

a:



b: Insert Dowels **B** into Small support **7**, Large support **8** and Shelf **6**.

b:



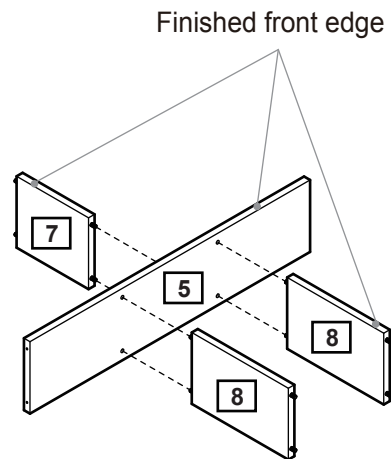
Assembly Instructions

Step 2 - continued

Attaching panels

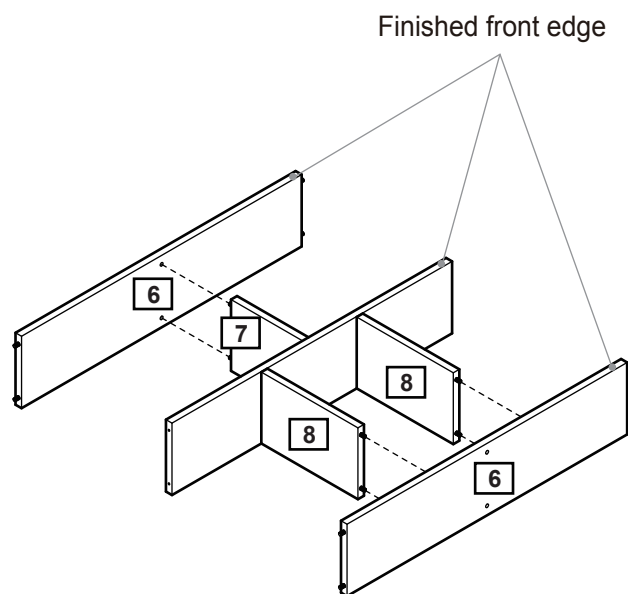
a: Position Small support **7**, Large supports **8** onto Middle shelf **5**.

a:



b: Position Shelves **6** onto unit.

b:



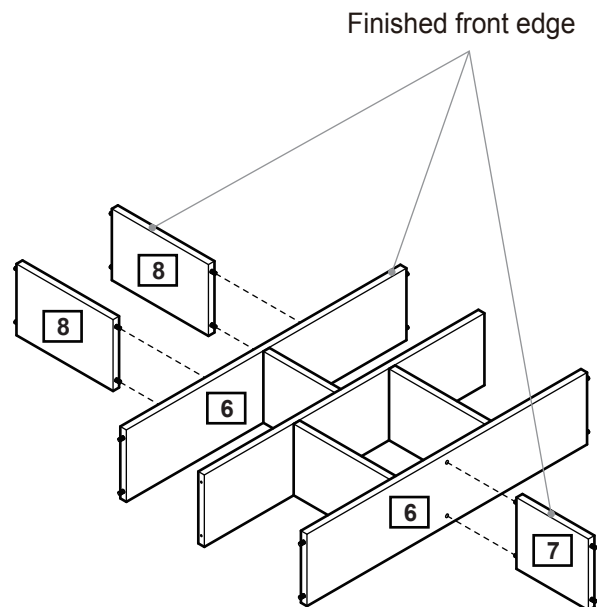
Continued on next page.

Assembly Instructions

Step 2 - continued

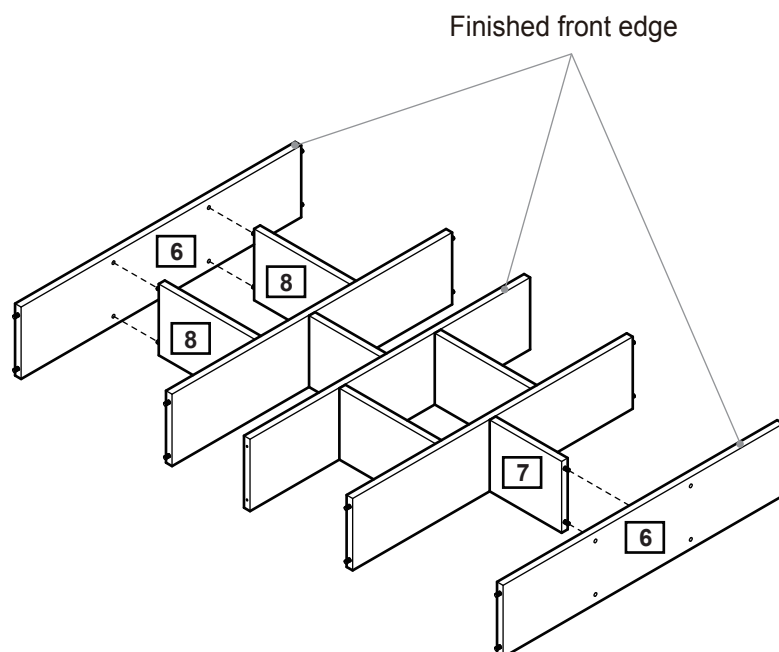
c: Position Small supports **7** onto unit.

c:



d: Position Shelves **6** onto unit.

d:



Continued on next page.

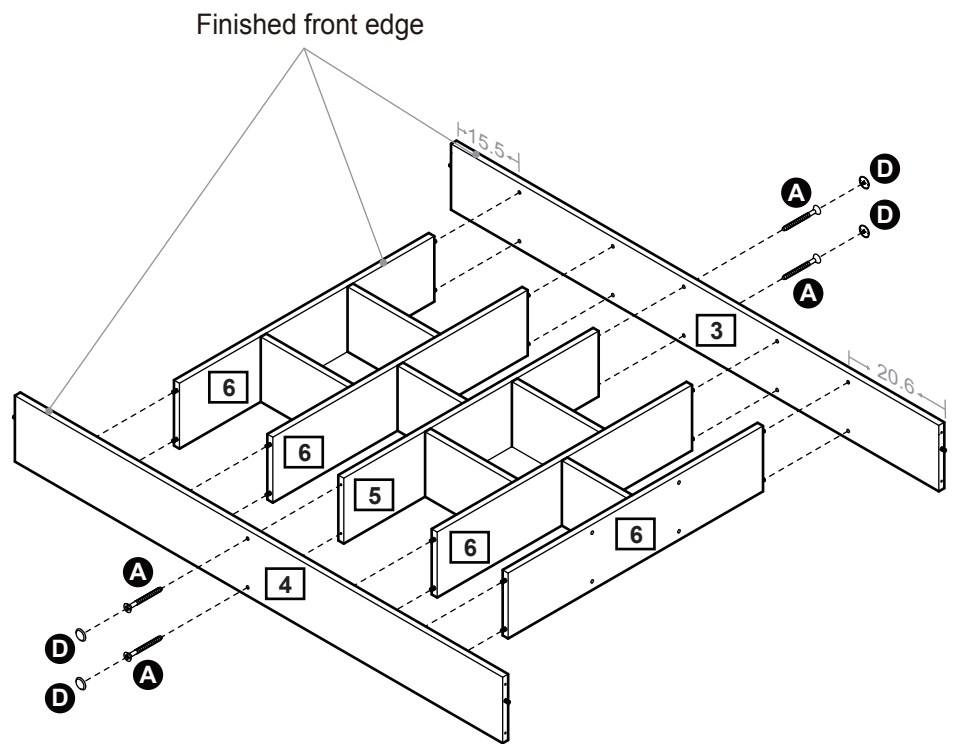
Assembly Instructions

Step 2 - continued

e: Use Screws **A** to fix Right side panel **3** and Left side panel **4** onto unit.

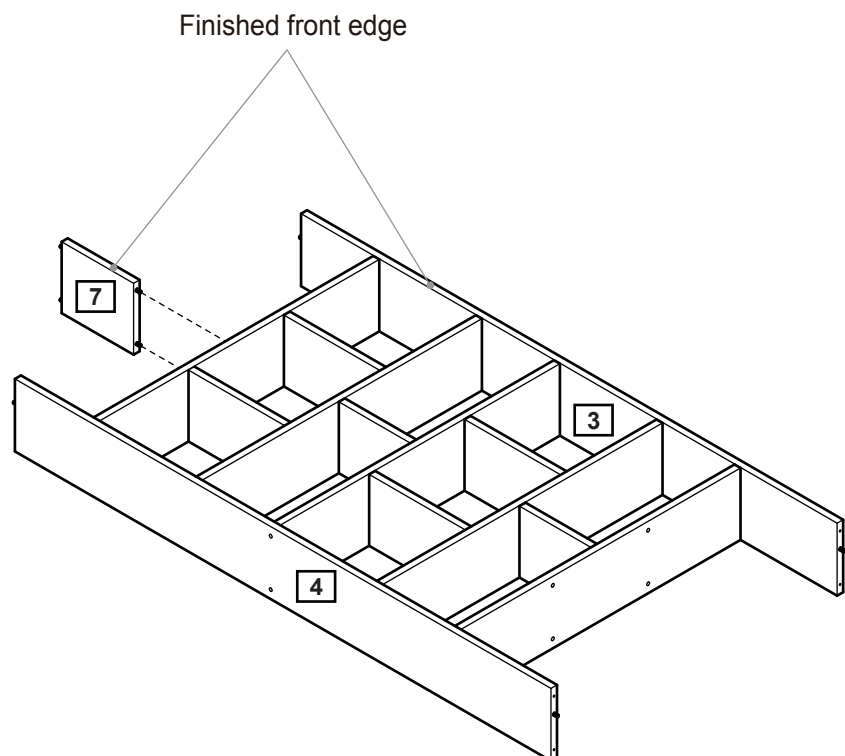
Use Screw covers **D** to cover the screw heads.

e:



f: Position Small support **7** onto unit.

f:



Continued on next page.

Assembly Instructions

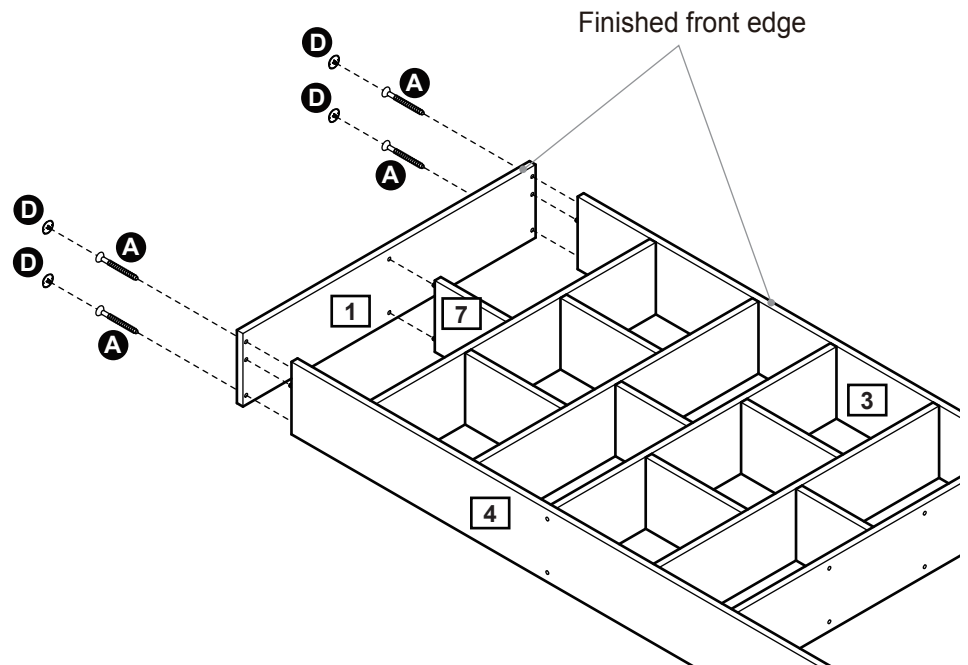
Step 3

Attaching Top and Bottom panel

a: Use Screws **A** to fix Top panel **1** onto unit.

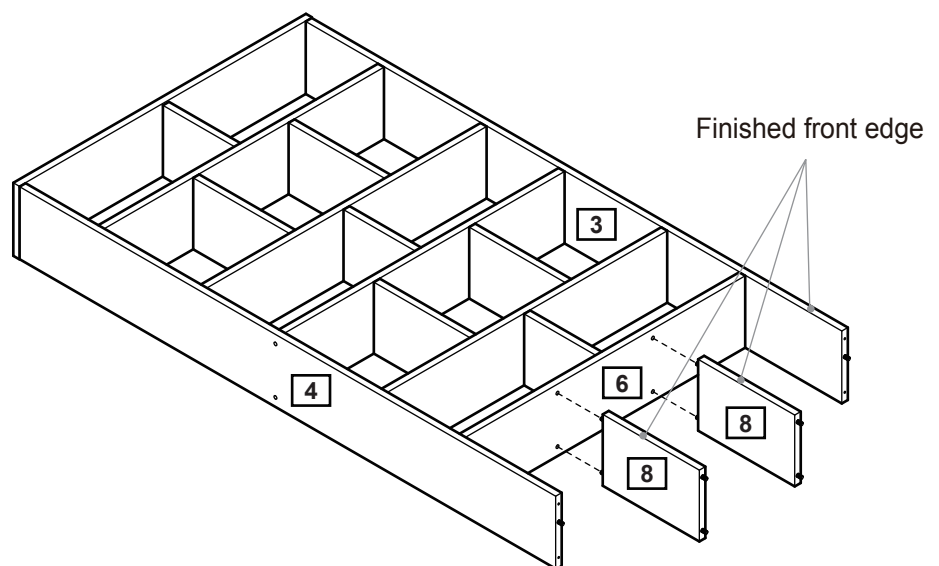
Use Screw covers **D** to cover the screw heads.

a:



b: Position Large supports **8** onto unit.

b:



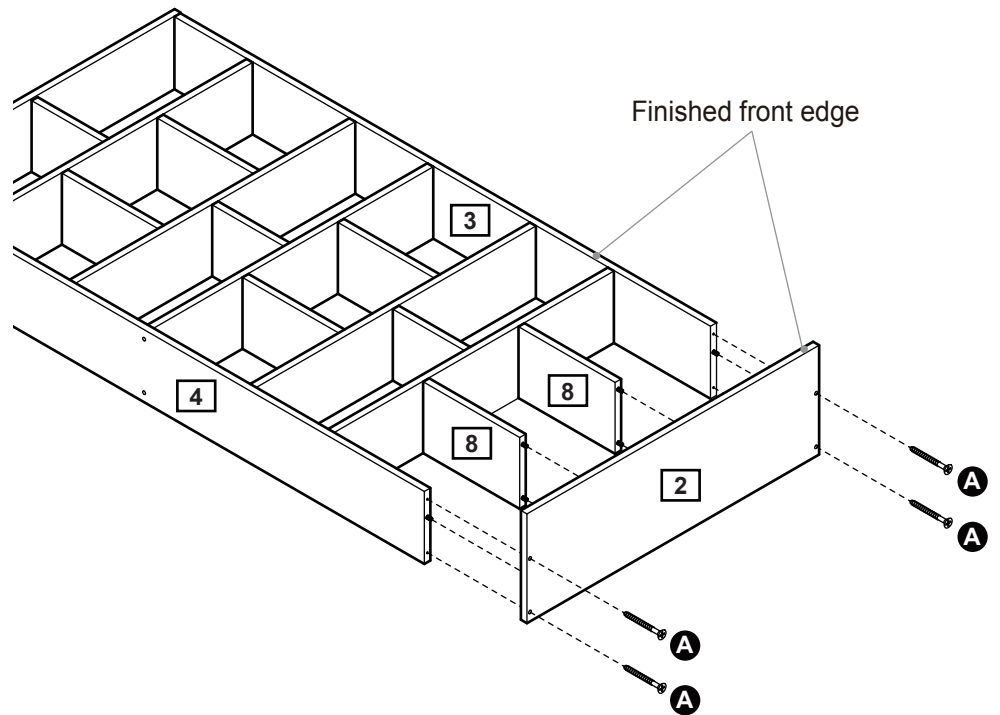
Continued on next page.

Assembly Instructions

Step 3 - continued

a: Use Screws **A** to fix Bottom panel **2** onto unit.

d:



Step 4

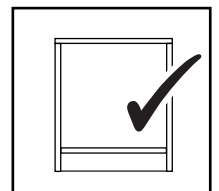
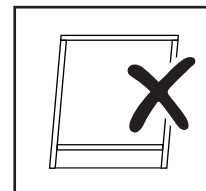
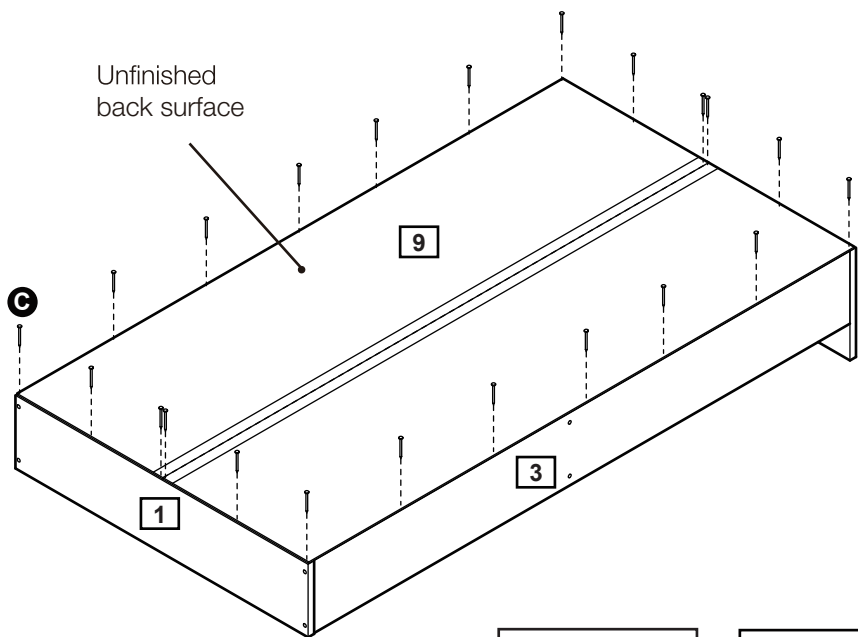
Fixing back panel

Attach back panel **9** using nails **C**.



Important:
The unit **MUST** be 'square' when back is attached.

a:



Assembly Instructions


Step 5

Fixing to wall

 **Warning:** In order to prevent overturning, this product must be used with the wall attachment device provided.


Use Screws(2 pcs) **E** to fix Wall straps(2 pcs) **G** onto the unit.

With help, move this product into position.

 **Warning:** This product is heavy.
Lift with care.

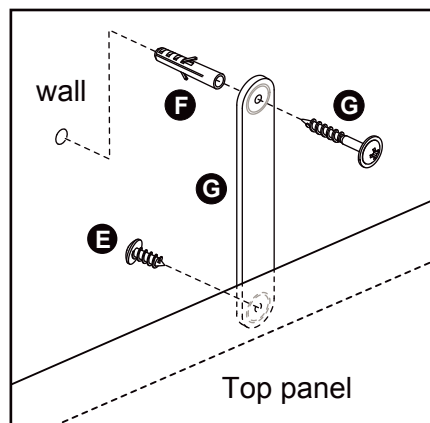
Mark fixing hole on wall and remove this product.

Drill 2 holes and insert Wall pulgs(2 pcs) **F**.

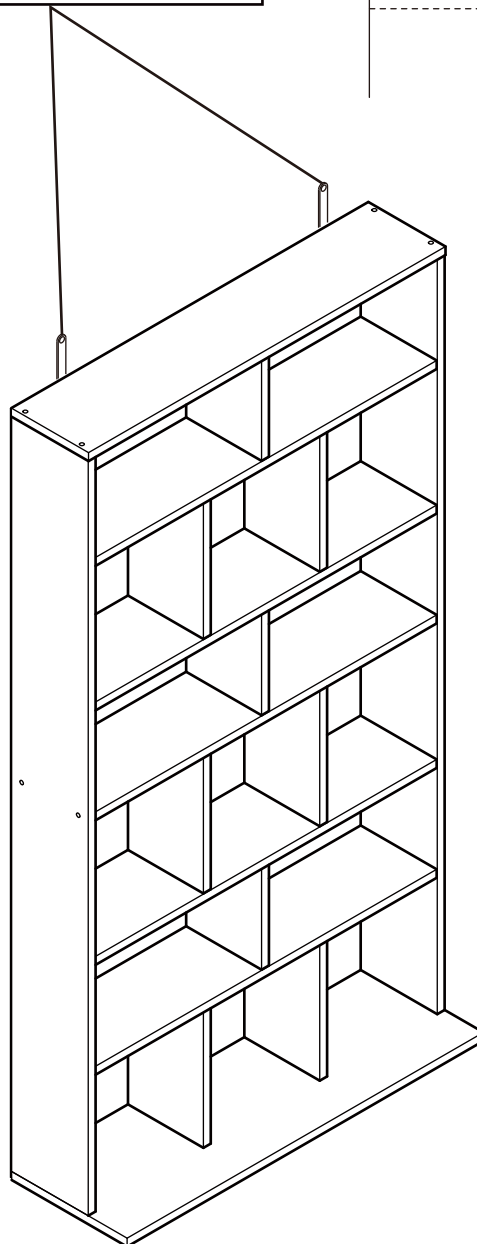
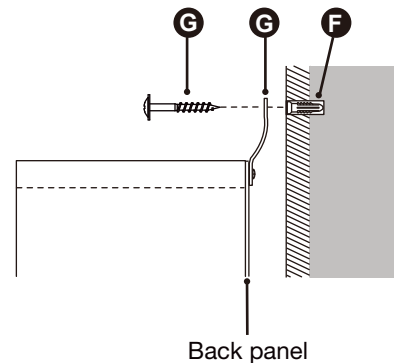
 **Warning:** Before drilling, check wall for hidden pipes and cables.

Reposition this product and fix wall straps using Screws(2 pcs) **G**.

Assembly is complete.



Note: Wall plugs supplied are for solid wall only.
The correct type of fixing must be used for your wall, seek professional advice if in doubt



If you need help or have damaged or missing parts, call the **Customer Helpline: Argos = 0345 6400800**
Produced in Indonesia for Argos Limited, 489-499 Avebury Boulevard, Milton Keynes, MK9 2NW
www.argos.co.uk

A Guide to - Wall Mounting & Fixings

Important note:

If plastic wall plugs are supplied with your product:



- these are only suitable for use in masonry walls.

If you are in any doubt about the correct wall plugs for your wall, seek professional advice.


Failure of the product due to using incorrect fixings is the responsibility of the installer.



Important: When drilling into walls always check that there are no hidden wires or pipes etc.

Make sure that the screws and wall plugs being used are suitable for supporting your unit. Consult a qualified tradesperson if you are unsure.

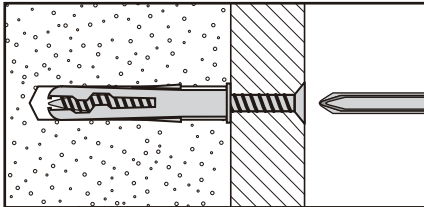
Hints:

- 1: General rule:**  Always use a larger screw and wall plug if you are not sure.
- 2:** Ensure you use the recommended drill bit to match the wall plug and hole size.
- 3:** Ensure you drill the hole horizontally, do not force the drill or enlarge the hole.
- 4:** Take extra care when drilling high walls, ceilings and ceramic tiles. Ensure wall plugs are inserted beyond the thickness of the ceramic tiles to avoid the tiles splitting or cracking.
- 5:** Ensure wall plugs are well fitted and are a tight fit in the drilled hole.

Types of walls

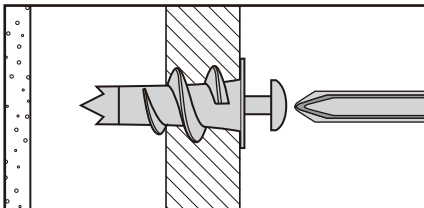
You can use one of the following types of wall plug if your walls are made of brick, breeze block, concrete, stone or wood.

No.1 "General Purpose" wall plug



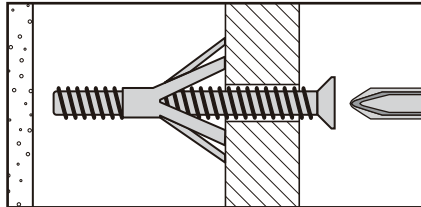
Generally aerated blocks should not be used to support heavy loads, use a specialist fitting in this case. For light loads, general purpose wall plugs can be used.

No.2 "Plasterboard" wall plug



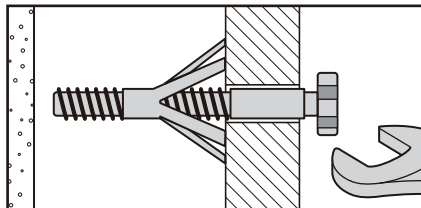
For use when attaching light loads on to plasterboard partitions.

No.3 "Cavity Fixing" wall plug



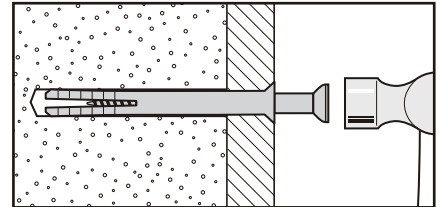
For use with plasterboard partitions or hollow wooden doors.

No.4 "Cavity Fixing-Heavy Duty" wall plug



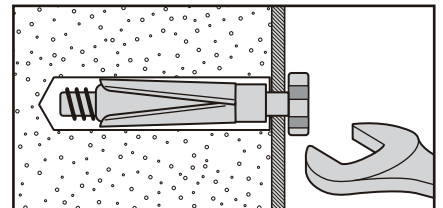
For use when fitting or supporting heavy loads such as shelving, wall cabinets and coat racks.

No.5 "Hammer Fixing" wall plug



For use with walls stuck with plasterboard. The hammer fixing allows it to be fixed to the wall rather than the plasterboard. Always check the fixing is secure to the retaining wall.

No.6 "Shield Anchor" wall plug Heavy loads



For use with heavier loads such as TV & HiFi speakers and satellite dishes etc.



Care & Maintenance

Safety: Always check the fitting and location to ensure your safety in and around the home.

Fitting: From time to time check the fitting to ensure the wall plugs or screws do not become loose.