

# Atlantic 4 Seater Patio Set -Table

Assembly Instructions - Please keep for future reference

651/1548



## Dimensions

Width - 80cm  
Depth - 80cm  
Height - 71cm

**Important** – Please read these instructions fully before starting assembly

If you need help or have damaged or missing parts, call the Customer Helpline: 03456 400800  
For further assistance please visit <http://www.argos-support.co.uk/>



# Safety and Care Advice

**Important** Please read these instructions fully before starting assembly

- This product is manufactured from toughened safety glass. In the unlikely event that the glass fails it will break in to a large number of small fragments that may be spread over a wide area. This is a feature of toughened glass, designed to remove the risk of injury from glass breaking into large shards.
- If the glass is chipped or broken, stop using the product and consult the manufacturer or supplier.
- Check you have all the

components and tools listed on page 2.

- Remove all fittings from the plastic bags and separate them into their groups.
- Keep children and animals away from the work area, small parts could choke if swallowed.
- Make sure you have enough space to layout the parts before starting.
- Do not stand or put weight on the parts during assembly, this could cause damage.

- Assemble on a soft level surface to avoid damaging the unit or your floor.
- Dispose of all packing carefully and responsibly.
- Do not sit or stand upon horizontal glass surface.
- Do not place very hot or very cold items on the glass unless adequately thick tablemats are used to prevent such items from coming into contact with the glass.
- **Warning:** The unit weights approximately 10.7kgs.

**Please lift with care.**

## Care and maintenance

- This product has been designed for careful domestic outdoor use.
- Wash frame parts with mild soap and water, rinse thoroughly, and dry frame completely. Do not use bleach, acid, or other solvents on the frame parts.
- Wash glass with mild

soap and water, rinse thoroughly, and dry glass completely

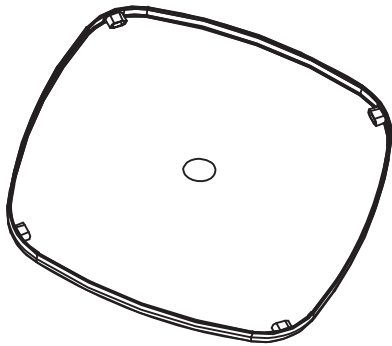
- When using a parasol with this table, always use a parasol base.
- When moving the table, remove the umbrella. Do not drag.
- We recommend the use of furniture covers when not in use.
- Do not use the glass as

chopping surface. Do not strike the glass with hard or pointed items.

- In order to prolong the life and beauty of your table, we recommend it be stored in a dry and protected area during off season periods.
- Do not use washing powders or any abrasive substances which may scratch the surface.

# Components - Parts

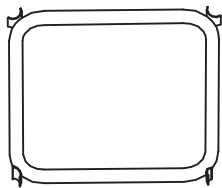
Please check you have all the parts listed below



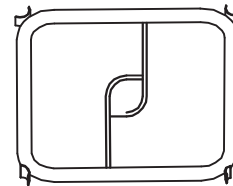
**1** Table top x 1



**2** Table leg x 4



**3** Center connector x 1











**4** Center connector with ring x 1

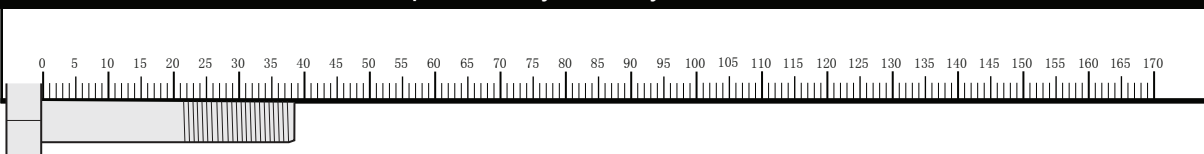
# Components - Fittings

Please check you have all the fittings listed below

**Note:** The quantities below are the correct amount to complete the assembly.

<p><b>A</b> </p> <p>52mm Screw x 8</p>	<p><b>B</b> </p> <p>Plastic cap x 8</p>	<p><b>C</b> </p> <p>Metal washer x 16</p>
<p><b>D</b> </p> <p>Nut x 8</p>	<p><b>E</b> </p> <p>Plastic nut cap x 8</p>	<p><b>F</b> </p> <p>Allen key x 1</p>
<p><b>G</b> </p> <p>Spanner x 1</p>	<p><b>H</b>  (Have already fixed on the leg tube)</p> <p>Plastic support x 4</p>	

**Ruler** - Use this ruler to help correctly identify the screws



# Assembly Instructions

## Step 1

### Assembly frame

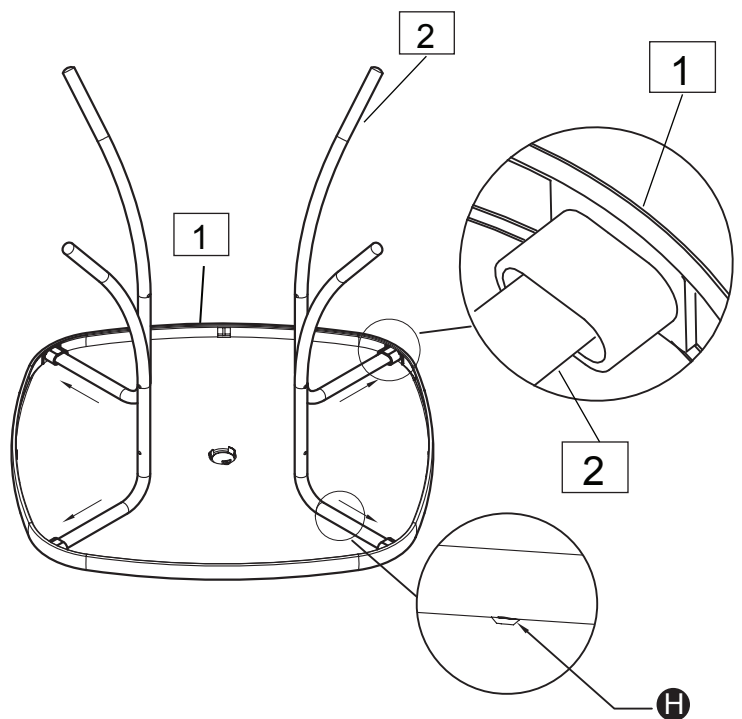
Suggest to complete this product assembly by two person.

Place the table top **1** on a non-abrasive surface, such as carpet, with the underside facing up. Insert the legs **2** into the plastic holders attached on the back of the table top rim **1**.



#### Important:

Make sure the plastic support **H** not detached from leg tube.



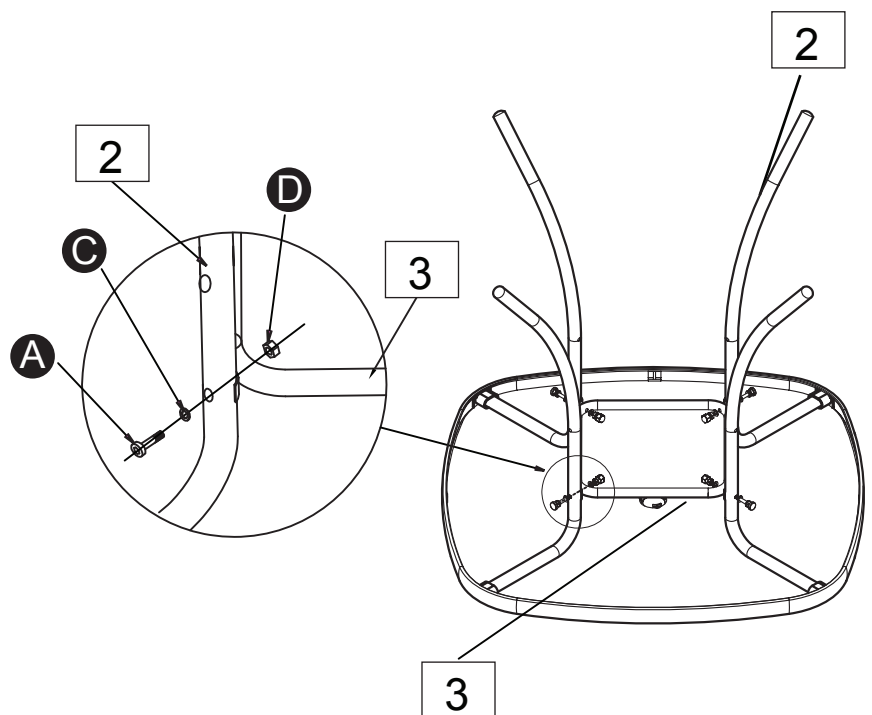
## Step 2

Mount and align the center connector **3** to the middle of the legs **2**, then fasten them by using metal washers **C** and screws **A** and nuts **D**.



#### Important:

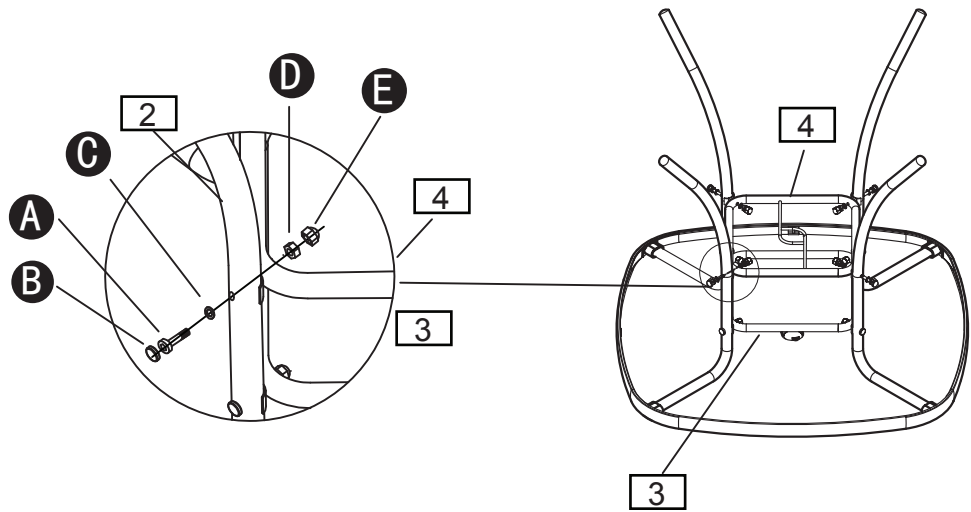
Do not fully tighten all screws until assembly is complete.



# Assembly Instructions

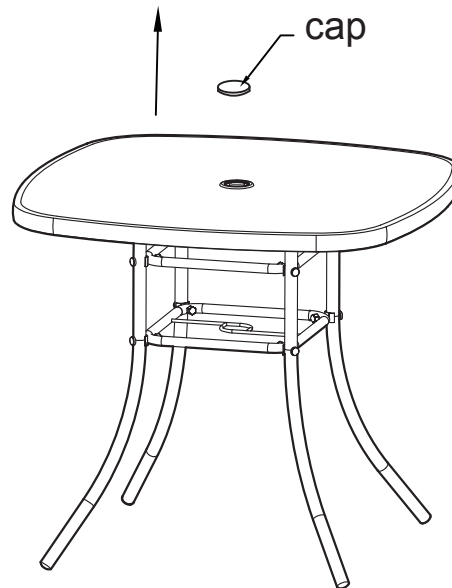
## Step 3

Repeat step 2 to install the center connector with ring **4**. Tighten all the screws **A** and seal them with caps **B** & **E**.



## Step 4

Turn the table top **1** to its upright position and please remove the cap if you want to insert parasol.



**Assembly is complete.**



## Warning:

The parasol must be placed into the parasol's base if the table set need to match a parasol.

If you need help or have damaged or missing parts, call the **Customer Helpline: 03456 400800**  
For further assistance please visit <http://www.argos-support.co.uk/>  
Argos Limited  
489-499 Avebury Boulevard Saxon Gate West Central Milton Keynes Bucks, MK9 2NW

# Glass Guidelines

---

During assembly do not lay the glass directly onto hard or rough surfaces. We recommend laying the glass on a blanket or cardboard during assembly. You could even use the box.

When lifting or moving the product, ask for someone to lend a hand, trying to move a product on your own can lead to accidents.

Do not use furniture if any parts are missing or broken. Contact your retailer immediately.

Do not place very hot or very cold items, such as saucepans or barbecues, directly on the glass surface. Extreme temperature differences over small areas can damage glass.

Do not sit or stand upon the glass surface.

Do not strike the glass with hard or pointed items, or use the glass as a chopping surface.

Do not drag rough or heavy objects over the top of the glass.

We recommend using place mats, coasters and table cloths to help protect against scratches and accidentally dropped items.

Clean the glass regularly to make sure there are no grit on the top.

Do not clean glass with washing powders or any other substances containing abrasives, since these substances can scratch glass.

For tables that can be used outdoors, if your table has a parasol, make sure the edge of the parasol cut-out has a protector in place. In addition always use a weighted parasol base, and remove the parasol in windy conditions. Parasols can put pressure on the table top or even blow the table over in windy weather.

For tables that can be used outdoors it is advised that the table is kept covered when not in use to protect the glass from the weather and accidental damage.