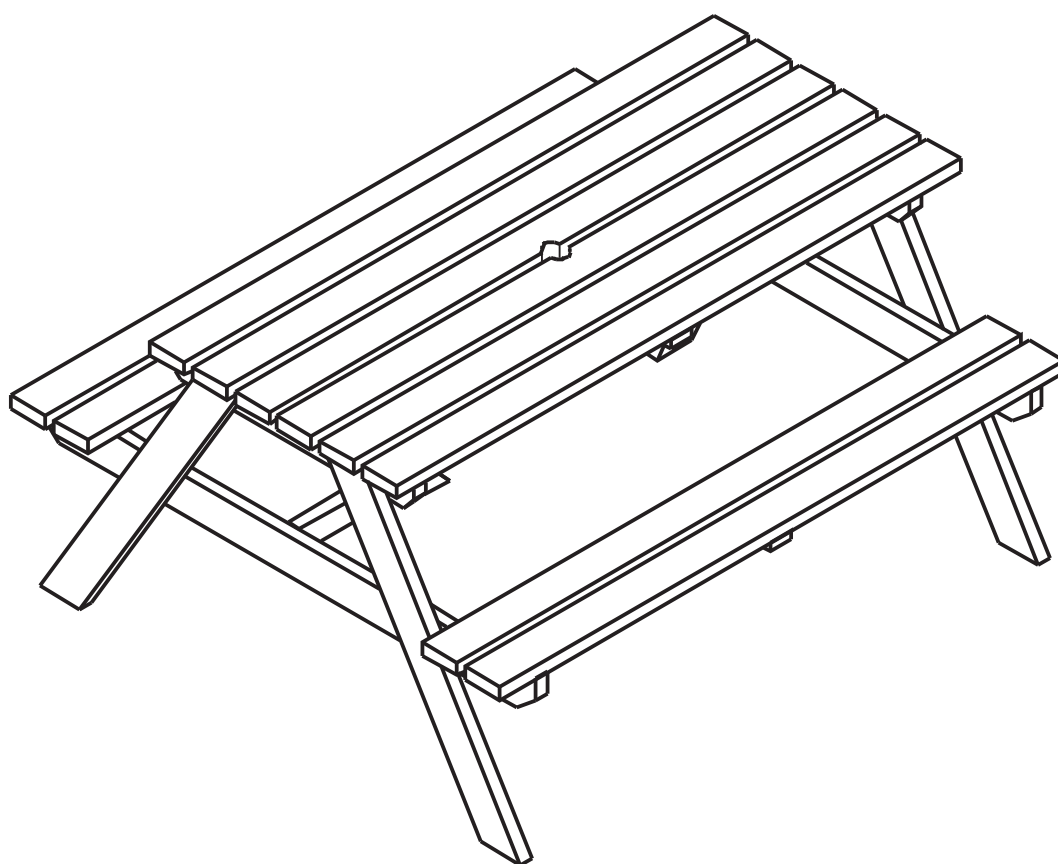


Pine Picnic Bench

Assembly Instructions - Please keep for future reference

650-4225



Dimensions

Width - 130,5cm
Depth - 148cm
Height - 71,4cm

Important – Please read these instructions fully before starting assembly

If you need help or have damaged or missing parts, call the **Customer Helpline: 08450778888**


Conditions for use of the product - general contract agreements

Argos Limited, Avebury
489-499 Avebury Boulevard
Central Milton Keynes
MK9 2NW



Safety and Care Advice

Important – Please read these instructions fully before starting assembly

- Check you have all the components and tools listed on pages 2 and 3.
 - Remove all fittings from the plastic bags and separate them into their groups.
 - Keep children and animals away from the work area, small parts could choke if swallowed.
 - Make sure you have enough space to layout the parts before starting.
 - Do not stand or put weight on the product, this could cause damage.
 - Assemble the item as close to its final position (in the same room) as possible.
 - Assemble on a soft level surface to avoid damaging the unit or your floor.
 - Parts of the assembly will be easier with 2 people.
- 
- We do not recommend the use of power drill/drivers **for inserting screws**, as this could damage the unit. Only use hand screwdrivers
 - Dispose of all packaging carefully and responsibly.

Care and maintenance

- From time to time check that there are no loose screws on this unit.
- This product should not be discarded with household waste. Take to your local authority waste disposal centre.

Important – Please read these instructions fully before starting assembly

If you need help or have damaged or missing parts, call the **Customer Helpline: 08450778888**

Components - Panels

If you have damaged or missing components, call the **Customer Helpline: 08450778888**

Please check you have all the panels listed below

Box 1



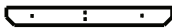
1 4x Table and Seat slats
(1480 x 90 x 25 mm)



3 2x diagonal brace
(495 x 65 x 25 mm)



4 2x leg
(857 x 90 x 25 mm)



5 2x table brace
(645 x 65 x 25 mm)

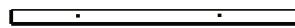


9 2x table centre slats
(1480 x 90 x 25 mm)

Box 2



1 4x Table and Seat slats
(1480 x 90 x 25 mm)



2 Centre rail
(1271 x 65 x 25 mm)



4 2x leg
(857 x 90 x 25 mm)



6 2x seat braces
(1300 x 90 x 25 mm)



7 2x seats cleats
(196 x 65 x 15 mm)







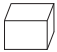


8 table cleat
(640 x 65 x 15 mm)

Components - Fittings

Please check you have all the fittings listed below

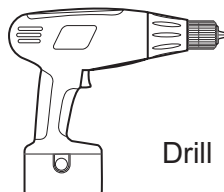
Note : The quantities below are the correct amount to complete the assembly. In some cases more fittings may be supplied than are required.

<p>A</p>  <p>Zinc plated Bolt Ø 8 x L45 mm - 14 pcs</p>	<p>B</p>  <p>Zinc plated washer - 14 pcs</p>	<p>C</p>  <p>Zinc plated nut - 14 pcs</p>
<p>D</p>  <p>Wood Screws Ø 3.5 x 45 mm - 40 pcs</p>	<p>E</p>  <p>Wood Screws Ø 3.5 x 30 mm - 20 pcs</p>	<p>F</p>  <p>Wood Screws Ø 4.5 x 60 mm - 8 pcs</p>
<p>G</p>  <p>Wooden spacer - 2 pcs</p>		

Tools required



Phillips screwdriver medium

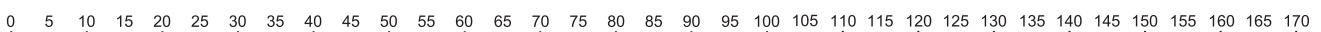


Drill



Ruler/tape measure

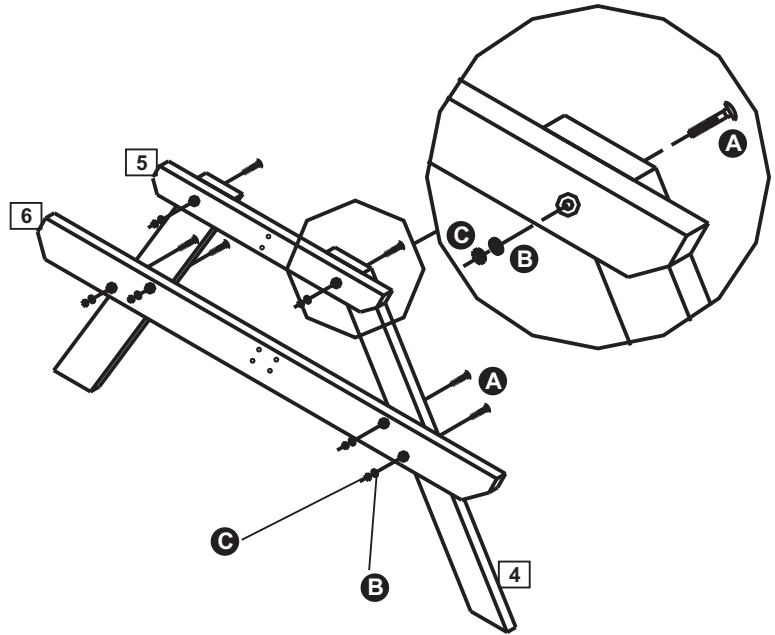
Ruler - Use this ruler to help correctly identify the screws



Assembly Instructions

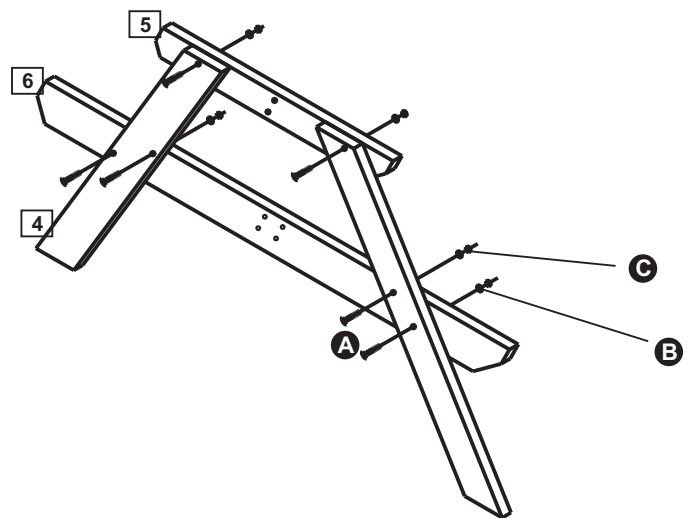
Step 1

Place 2 legs **4**, a table brace **5** and a seat brace **6** on a flat clean surface. Connect the table brace and the seat brace to the legs using bolts **A**, washers **B** and nuts **C** as shown in the picture.



Step 2

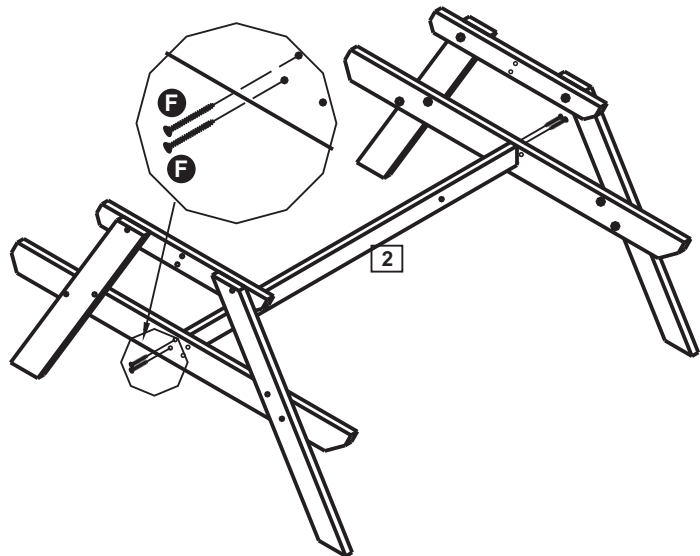
Repeat the above described process for the remaining 2 legs, table brace and seat brace.



Assembly Instructions

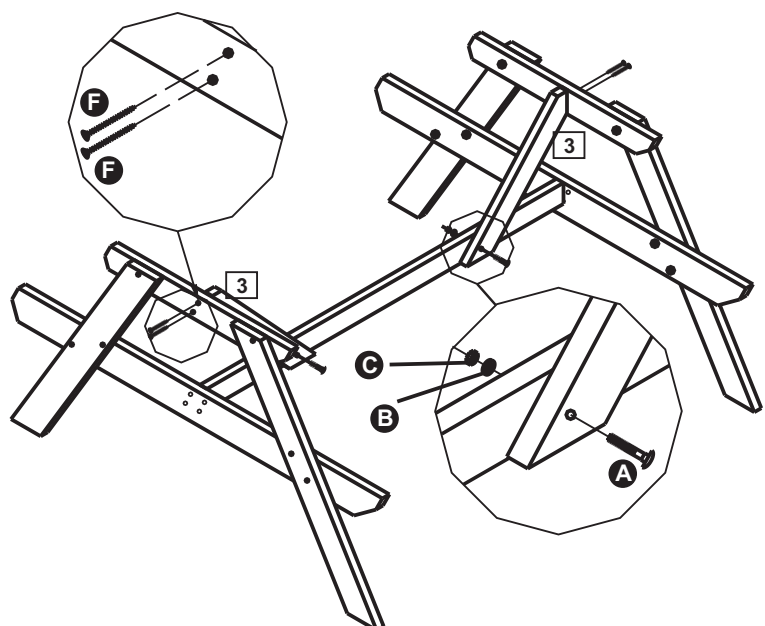
Step 3

Attach the center rail **2** to the assembled sides using 2 wood screws **F** at each end, as shown in the picture.



Step 4

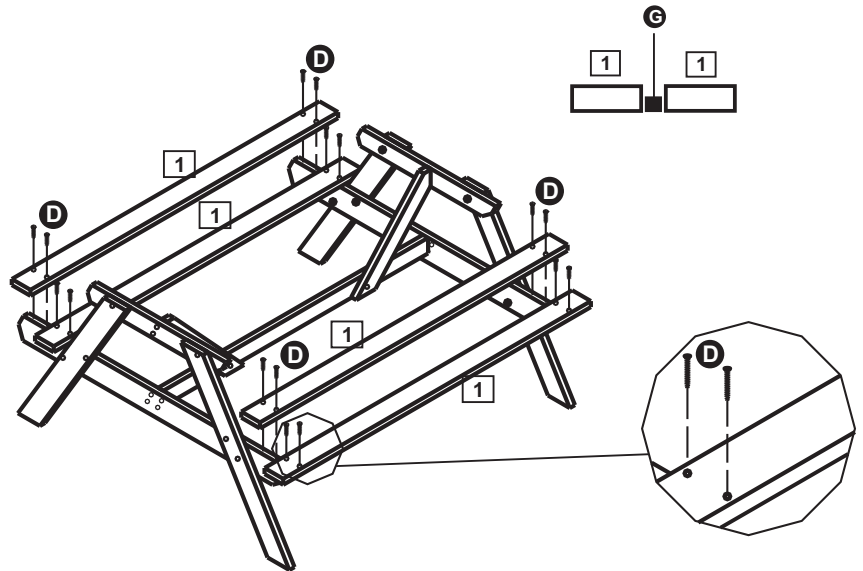
Attach the diagonal brace **3** to the center rail using bolt **A**, washer **B** and nut **C**, and to the seat brace using furniture screw **F** as shown in the picture. Repeat this process for the other side of the bench.



Assembly Instructions

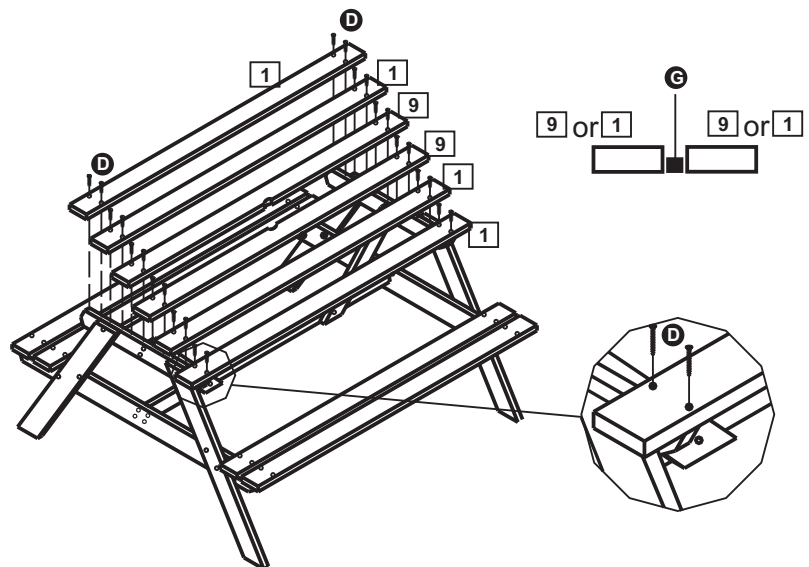
Step 5

Using the wooden spacer **G** provided place the seat slats **1** onto the seat braces ensuring that the outer slats are level with the edge of the braces and secure using the wood screws **D** as shown in the picture.



Step 6

Using the wooden spacer **G** provided place the table slats **1** - 4 pcs and table slats **9** - 2 pcs onto the frame ensuring that the outer slats are level with the edge of the table braces and secure using the wood screws **D** as shown in the picture.

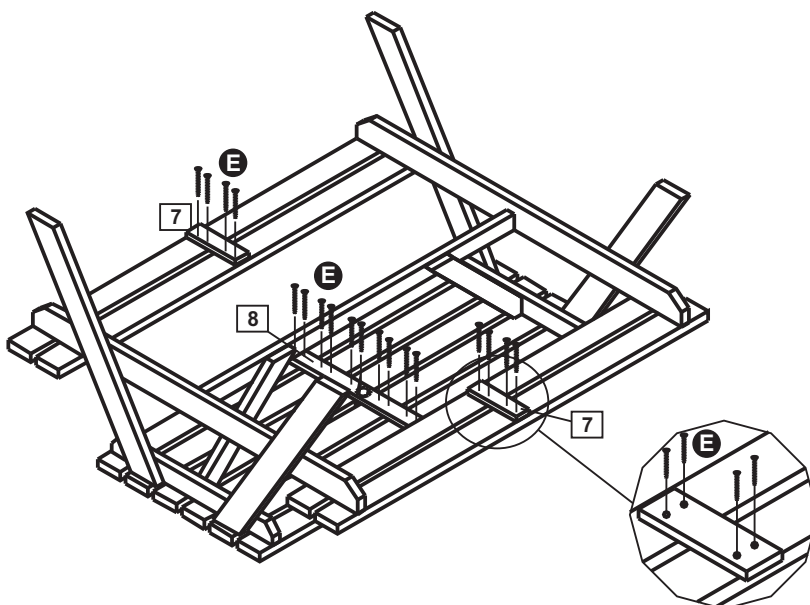


Assembly Instructions

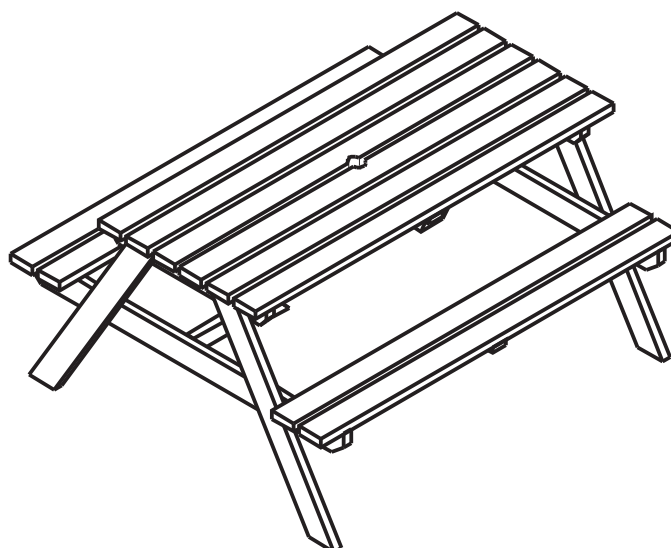
Step 7

Turn the table upside down (**we suggest two people perform this operation**) and attach the seat cleat **7** to the seat slats using wood screw, repeat this process for the other side. Then attach the table cleat **8** to the table slats using wood screws **E** as shown in the picture.

Place the table in an upright position (**we suggest two people perform this operation**).



Step 8



Assembly is complete.