

SPORTSPOWER

SKYRING Trampoline Anchor to fit 8ft And 10ft Trampolines

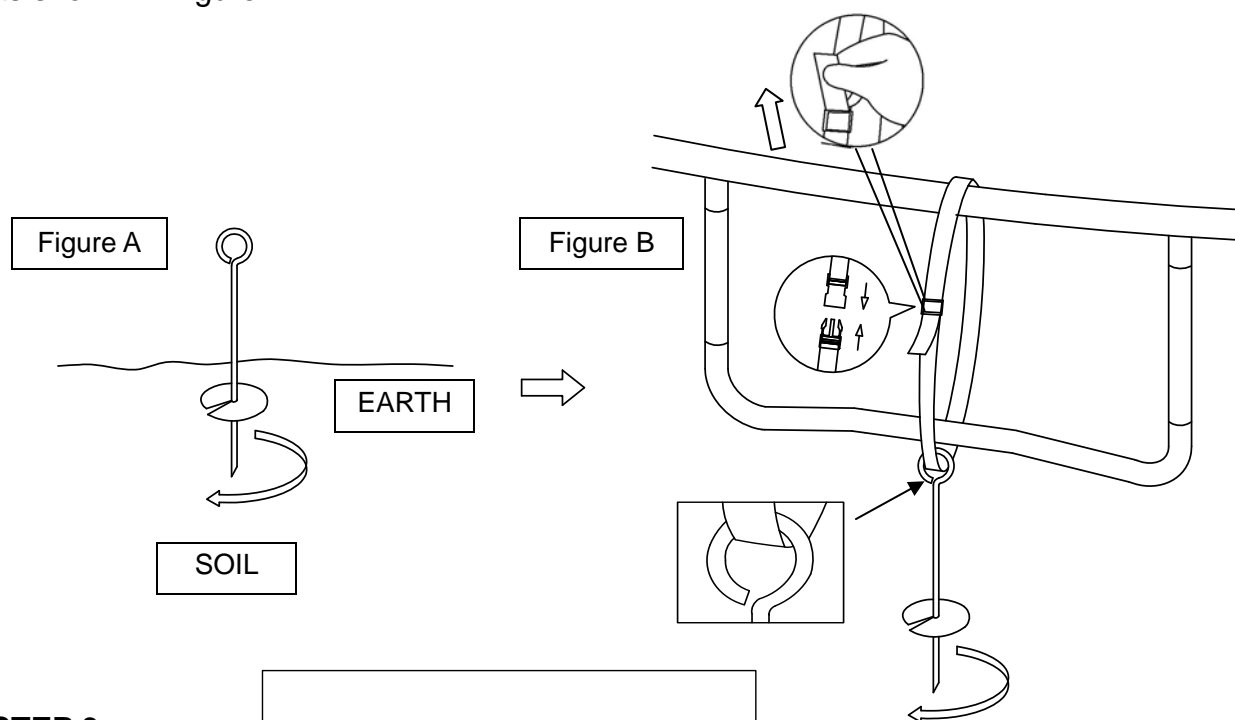
NOTE: The Anchor Kit will help to secure the trampoline to the ground. In windy conditions we recommend to secure the trampoline (and enclosure) so it will not blow away

STEP 1

Screw the Anchor into the soil as shown in Figure A .

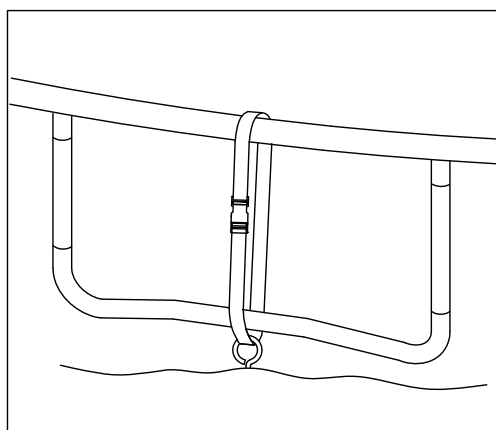
STEP 2

Attach the LONG strap over the main frame and leg of the trampoline and loop it through the anchor as shown in Figure B.



STEP 3

Finished view.



For Customer Service, please call (+44) 03300 904420 or visit www.sportspowerfit4kids.com

Monday – Friday 8:00 AM – 5:00 PM

Sportspower Ltd.

20/F, Parkview Centre, 7 Lau Li Street, Causeway Bay, Hong Kong

Corporate Office: us toll free 1-800-497-6106

SP-19-SFB10KIT-ARGOS-17001