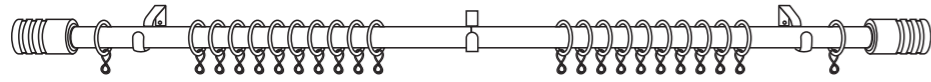


# 25/28mm metal curtain pole

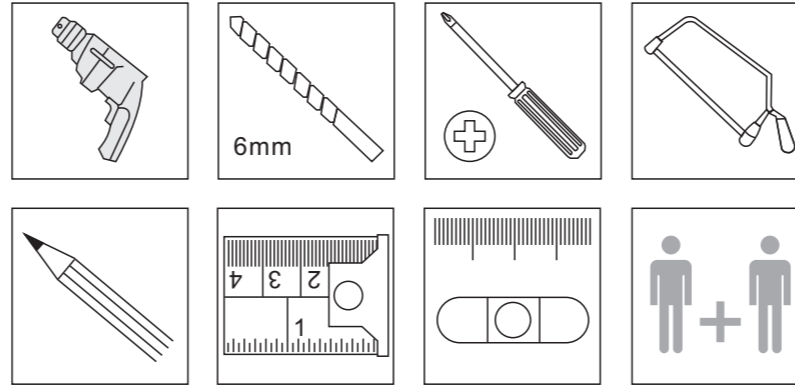


## Your Product

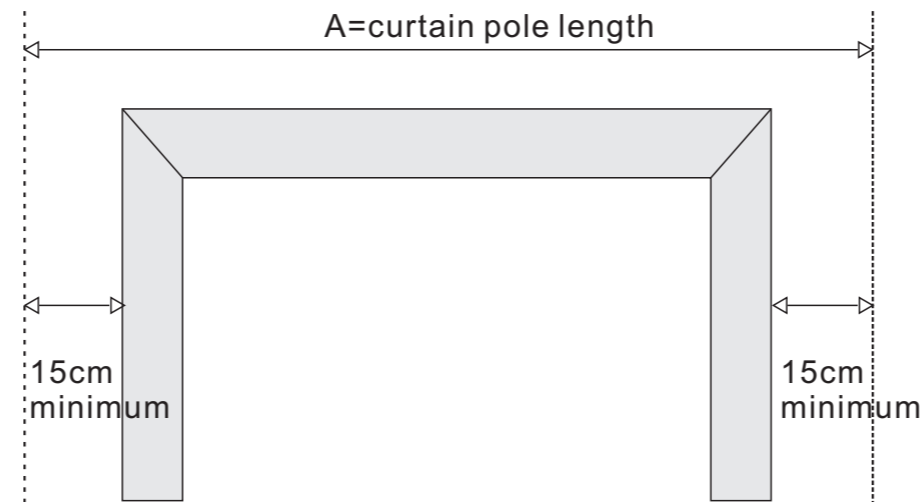
	Picture	Fitting parts	Up to 1.1m	1.1m to 2m	2m to 3m
A		25mm pole	1	1	2
B		28mm pole	0	1	1
C		Bracket	2	3	3
D		Finial	2	2	2
E		Ring	12	20	30
F		28mm Plastic insert	0	1	2
G1		Wall plug	4	6	6
G2		Screw	4	6	6

**Note:** Actual finials and rings may differ from illustration; Wall plugs & screws provided are suitable for solid walls only. For any other type of wall or ceiling ensure correct wall plugs & screws are used. If in doubt, seek professional advice.

## You will need



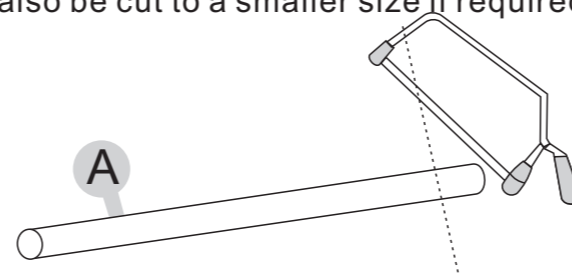
### 1



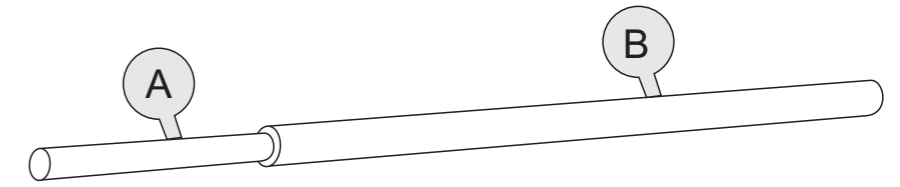
For larger windows and thicker curtains, this dimension can be increased so the curtains don't obstruct the windows when open.

### 2 Choose the pole and accessories according to the window size.

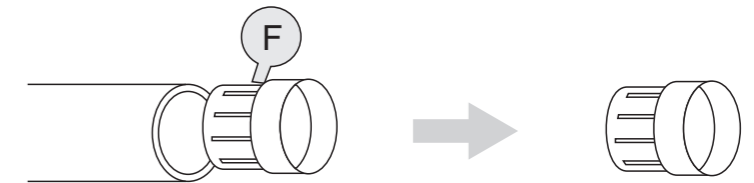
(1) Up to 1.1m: Use pole A only, this can also be cut to a smaller size if required.



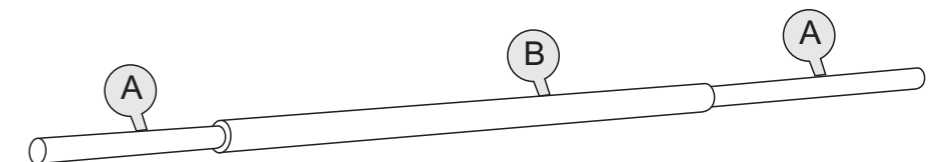
### (2) Window from 1.1m to 2m



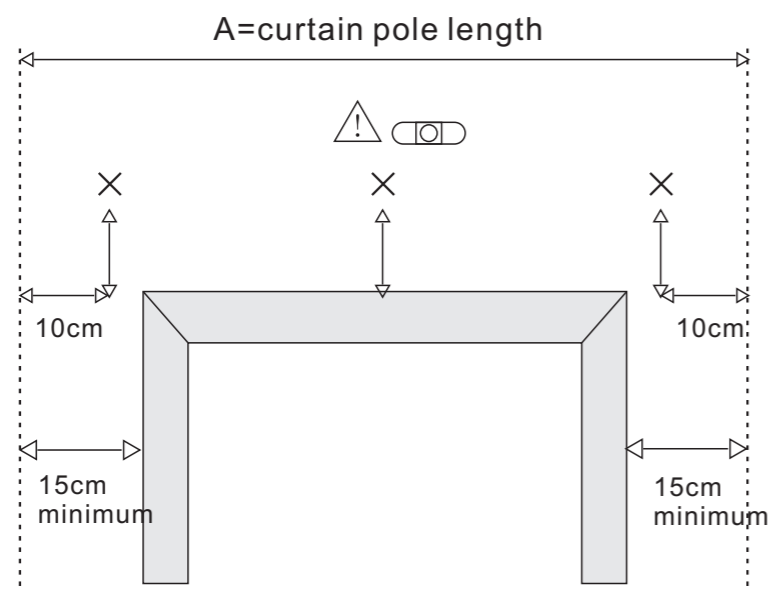
a. Remove one plastic insert from pole B



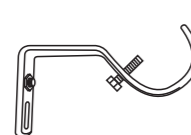
### (3) Window from 2m to 3m

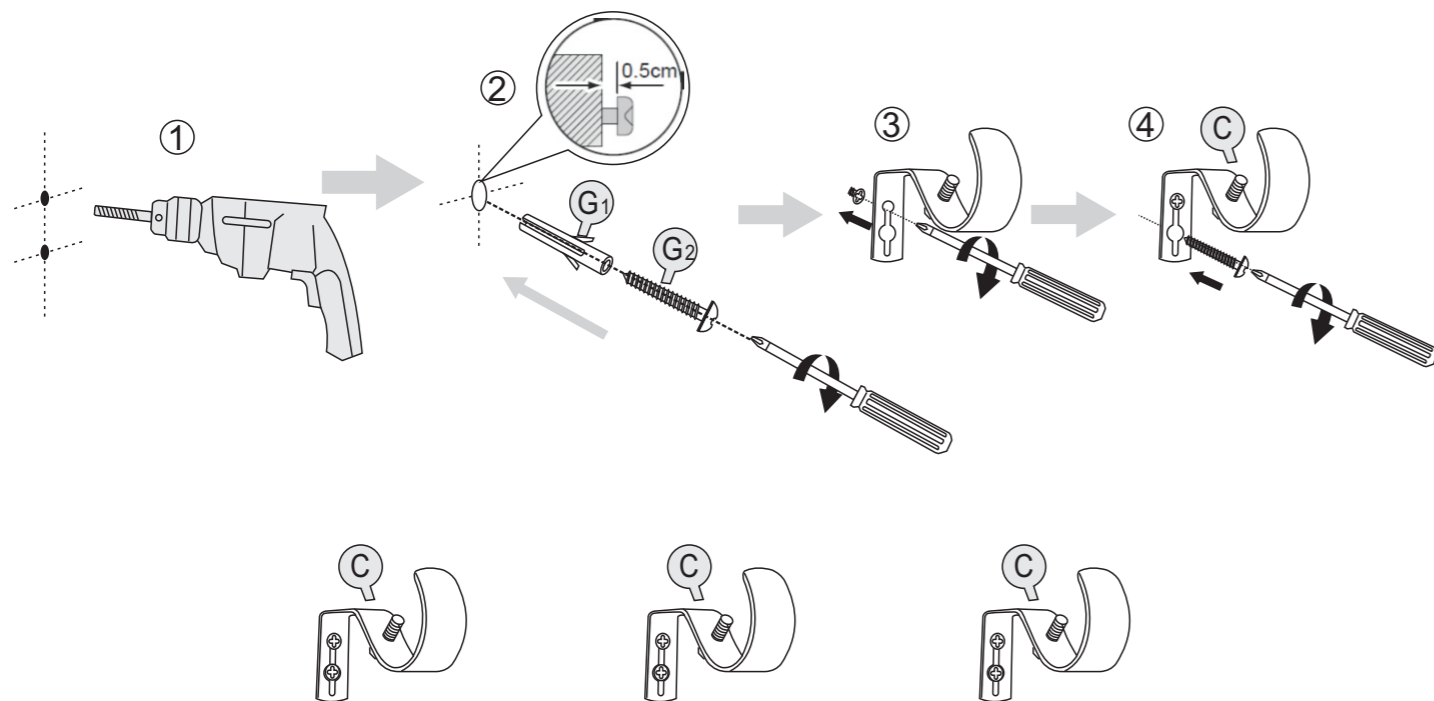


3

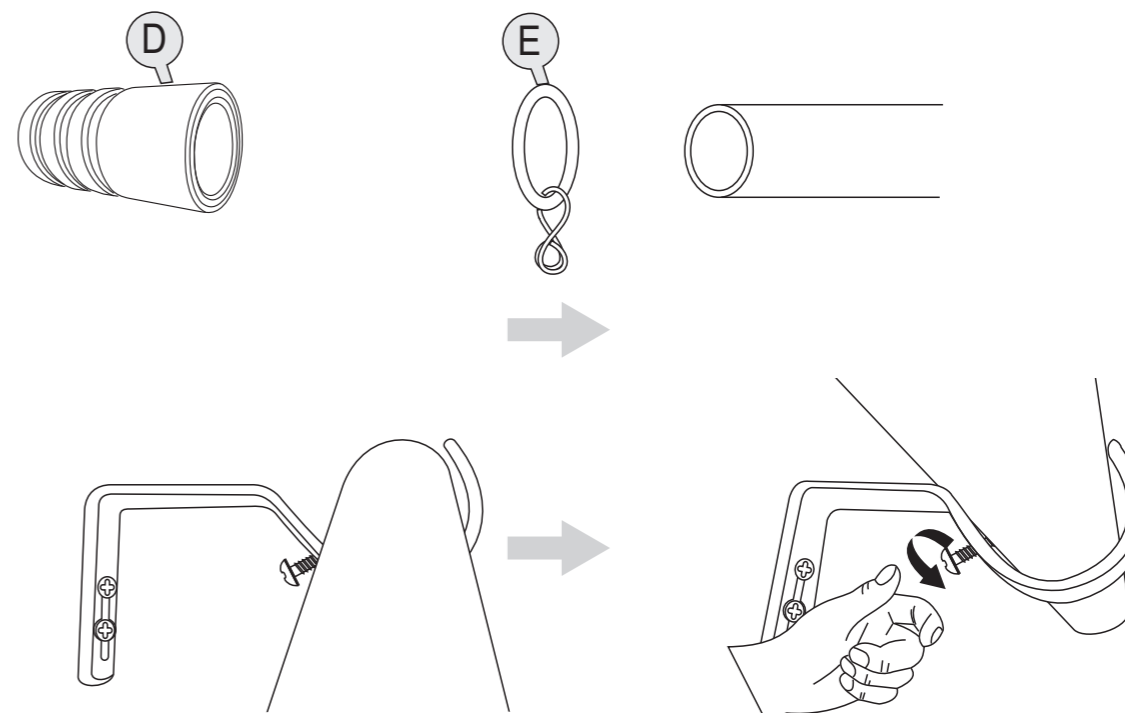
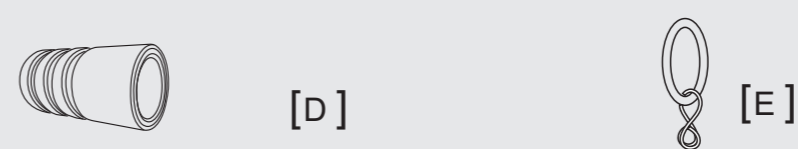


The end brackets must be positioned 10cm in from the end of the pole. If a centre bracket is required, please position this in the centre between the two end brackets. Mark the position on the wall ensuring they are level.

	up to 1.1m	1.1m to 2m	2m to 3m
	2	3	3



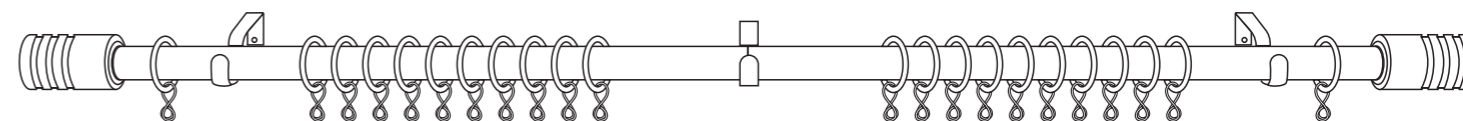
4



Tighten the bracket screw

**Note:** Bracket screws to secure the poles are pre-fitted to the brackets, the curtain poles must be secured with the bracket screws.

5



The pole is now ready to accept curtains by slipping hooks through the eyelets on the rings

After assembly, wipe the pole with a dry cloth to remove any fingerprints. To maintain the smooth performance of your pole, periodically wipe the pole with furniture polish.

Please note that specifications of fittings may vary from those illustrated. Retain for future reference. Periodically check and re-tighten fixings.