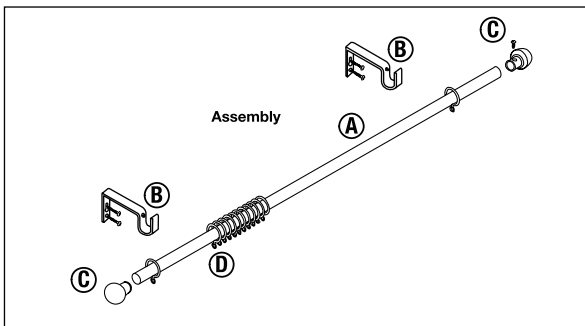


16/19 mm Metal Curtain Pole

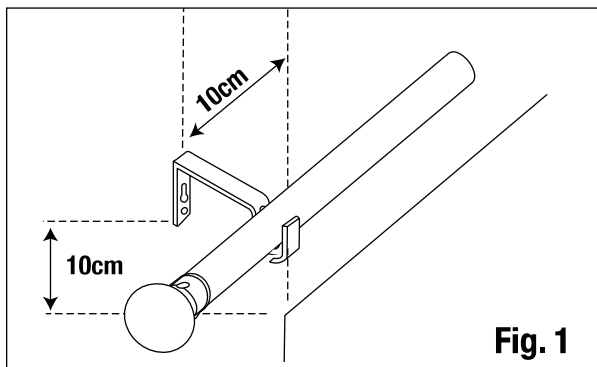
Contents	Length metres		Tools Required:
	120cm to 210cm	165cm to 300cm	
A Pole	2	2	Steel Tape Measure
B Brackets	3	3	Soft Pencil
C Finials	2	2	Posi-Drive Screw Driver
D Rings	20	30	Spirit level
E Screw Pack	1	1	Drill & Drill Bits
			Hacksaw and file

Please ensure the correct wall plugs are used to suit your wall type. Wall fixing kit supplied for solids walls only. When drilling into walls check that there are no hidden electrical wires or water pipes. If a non-solid wall use appropriate wall fixings. Please refer to the guide on the reverse of these instruction. If in doubt seek professional advice.

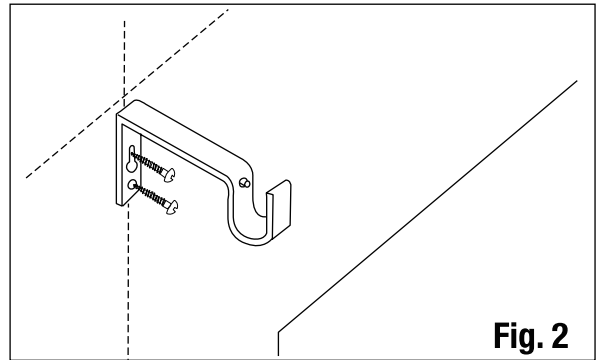


Installation & Assembly

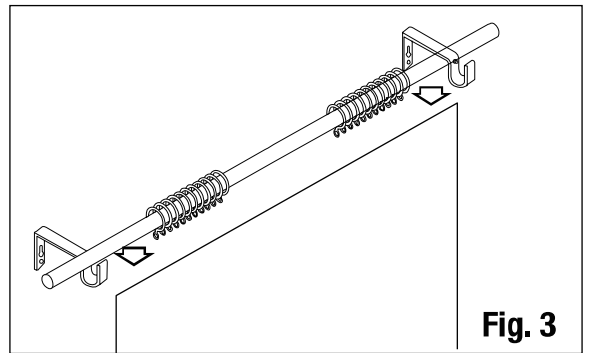
- Carefully remove packaging.
- Hold pole up to the window and centralise over width to determine correct position and length. The ideal position for the brackets is 10cm (4") above the window and 10cm (4") out from the edge of the window (fig.1). Remember to allow sufficient length either side to accommodate the curtains when opened.



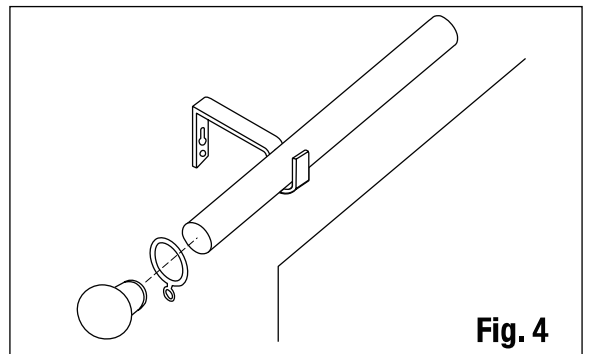
- Mark bracket positions on the wall, use a spirit level to ensure brackets will be level. Hold pole up against the marks to double check positions before drilling.
- Position the brackets on the wall and mark the two holes on the wall and drill the holes
- Using the wall plugs and screws provided fix the brackets securely (Fig. 2). Alternative wall fixings should be used where necessary.



- Drop the pole onto the brackets and centralise over the window (Fig 3.) Adjust the length of the pole as required.



- Remember to position a ring between the brackets and the finial (Fig. 4).
- Reposition the pole and tighten the locking screws on the brackets.



- The pole is now ready to accept curtains slipping by slipping hooks through the eyelets on the rings.
- After assembly wipe the pole with a dry cloth to remove any fingerprints. To maintain the smooth performance of your pole periodically wipe the pole with furniture polish.

Please note that specifications of fittings may vary from those illustrated.

Retain for future reference. Periodically check and re-tighten fixings