

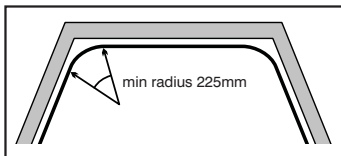
Curtain Track Coil

Fitting Instructions

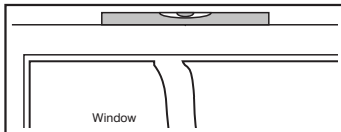
Before fitting your track, please take care in reading these instructions and checking the contents of the pack. Carefully remove all packaging.

Installation & Assembly

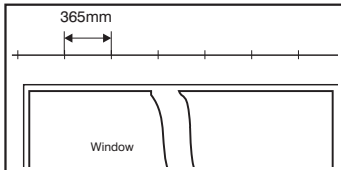
1. Measure out and cut lengths of track for each window required, allowing for curves, with a radius not less than 225mm (9in), when working within bay windows.



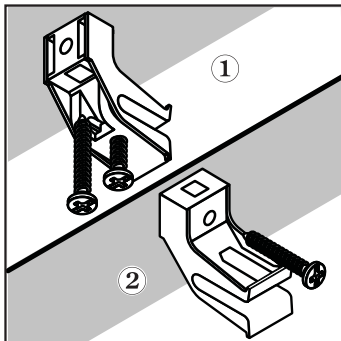
2. Mark the position of the track above the window using a spirit level.



3. Mark the position of the mounting brackets, spaced every 365mm.

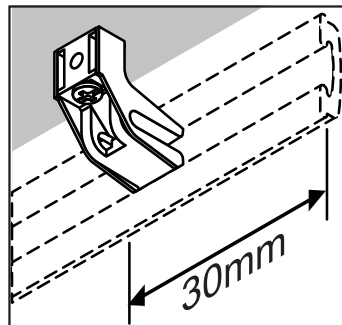


4. Brackets can be top mounted ① or front mounted ②.

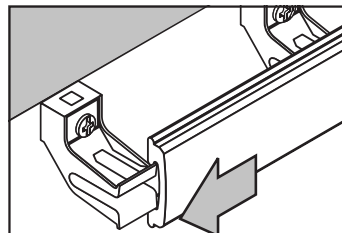


Please ensure the correct wall plugs are used to suit your wall type.

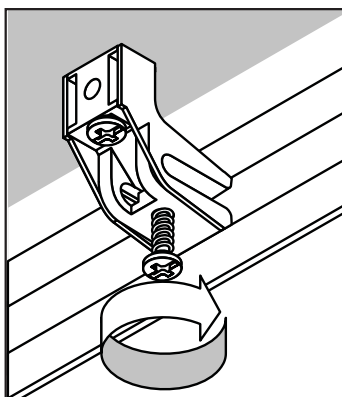
5. Mount a bracket at each side of the window inset 30mm from the end position of the rail and the remaining brackets at the marked positions.



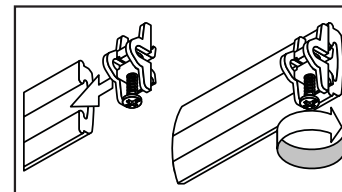
6. Slide or clip the rail onto the mounted brackets.



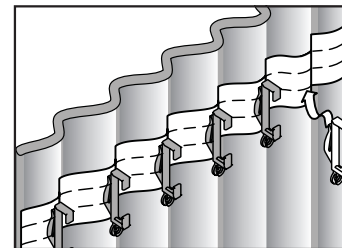
7. When the rail is in position tighten the locking screws to fix the rail.



8. Clean the ends of the rail and fit an end stop at each end of the rail. Turn the locking screws to secure the ends in the rail.



9. Insert the Glidehooks into the curtain tape pockets at approximately 8cm intervals (the rings beneath the Glidehooks are only used with special pleating tapes).



10. Engage the bottom of the Glidehooks with the bottom of the rail and snap top of Glidehooks over the top of the rail and Ensure end Glidehooks are snapped into end stops.

