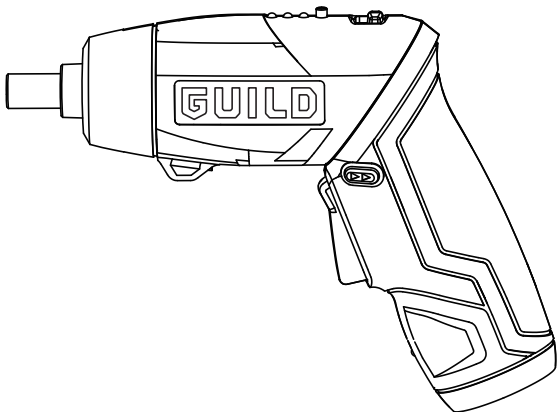


GUILD

3.6V Lithium-Ion Screwdriver

Instruction Manual

CSD36G



GUILD

After Sales Support

UK/Ireland 0333 3201989
Help@guildpowertools.co.uk

Important - Please read these instructions fully before operating or maintaining your Guild Lithium-Ion Screwdriver

These instructions contain important information that will help you get the best from your Guild Lithium-Ion screwdriver, ensuring it remains safe to operate.

If you need help or have damaged or missing parts, call the Customer Helpline on 0333 3201989

Contents

Safety Information.....	3
In The Box.....	8
Accessories.....	8
Operating Instructions.....	9
Maintenance.....	12
Technical Data.....	12
Environmental Protection.....	13
Guarantee.....	14

Safety Information

Important - Please read these instructions fully before starting assembly

Warning Symbols

The following warning symbols appear throughout this assembly manual and indicate the appropriate safety measures you should take when assembling and operating the Lithium-Ion Screwdriver.



To reduce the risk of injury. Please read the instruction manual



Warning



Wear ear protection



Wear eye protection



Wear dust mask



Double insulation



Indoor use only



Do not expose to rain or water



Do not burn



Li-Ion



Li-Ion

Li-Ion battery. This product has been marked with a symbol relating to 'separate collection' for all battery packs and battery pack. It will then be recycled or dismantled in order to reduce the impact on the environment. Battery packs can be hazardous for the environment and for human health since they contain hazardous substances.



Fuse
T 0.2 A time lag fuse with rated current of 0.2 A



Waste electrical products must not be disposed of with household waste. Please recycle where facilities exist. Check with your local authorities or retailer for recycling advice.



Safety Information

Important - Please read these instructions fully before starting assembly

General Power Tool Safety Warnings



WARNING! Read all safety warnings and all instructions. Failure to follow the warnings and instructions may result in electric shock, fire and/or serious injury.

Save all warnings and instructions for future reference.

The term "power tool" in the warnings refers to your mains-operated (corded) power tool or battery-operated (cordless) power tool.

1) Work area safety

- a) **Keep work area clean and well lit.** Cluttered or dark areas invite accidents.
- b) **Do not operate power tools in explosive atmospheres, such as in the presence of flammable liquids, gases or dust.** Power tools create sparks which may ignite the dust or fumes.
- c) **Keep children and bystanders away while operating a power tool.** Distractions can cause you to lose control.

2) Electrical safety

- a) **Power tool plugs must match the outlet. Never modify the plug in any way. Do not use any adapter plugs with earthed (grounded) power tools.** Unmodified plugs and matching outlets will reduce risk of electric shock.
- b) **Avoid body contact with earthed or grounded surfaces, such as pipes, radiators, ranges and refrigerators.** There is an increased risk of electric shock if your body is earthed or grounded.
- c) **Do not expose power tools to rain or wet conditions.** Water entering a power tool will increase the risk of electric shock.
- d) **Do not abuse the cord. Never use the cord for carrying, pulling or unplugging the power tool. Keep cord away from heat, oil, sharp edges or moving parts.** Damaged or entangled cords increase the risk of electric shock.
- e) **When operating a power tool outdoors, use an extension cord suitable for outdoor use.** Use of a cord suitable for outdoor use reduces the risk of electric shock.
- f) **If operating a power tool in a damp location is unavoidable, use a residual current device (RCD) protected supply.** Use of an RCD reduces the risk of electric shock.

3) Personal safety

- a) **Stay alert, watch what you are doing and use common sense when operating a power tool. Do not use a power tool while you are tired or under the influence of drugs, alcohol or medication.** A moment of inattention while operating power tools may result in serious personal injury.
- b) **Use personal protective equipment. Always wear eye protection.** Protective equipment such as dust mask, non-skid safety shoes, hard hat, or hearing protection used for appropriate conditions will reduce personal injuries.
- c) **Prevent unintentional starting. Ensure the switch is in the off-position before connecting to power source and/or battery pack, picking up or carrying the tool.** Carrying power tools with your finger on the switch or energising power tools that have the switch on invites accidents.
- d) **Remove any adjusting key or wrench before turning the power tool on.** A wrench



Safety Information

Important - Please read these instructions fully before starting assembly

General Power Tool Safety Warnings

or a key left attached to a rotating part of the power tool may result in personal injury.

- e) **Do not overreach. Keep proper footing and balance at all times.** This enables better control of the power tool in unexpected situations.
- f) **Dress properly. Do not wear loose clothing or jewellery. Keep your hair, clothing and gloves away from moving parts.** Loose clothes, jewellery or long hair can be caught in moving parts.
- g) **If devices are provided for the connection of dust extraction and collection facilities, ensure these are connected and properly used.** Use of dust collection can reduce dust-related hazards.

4) Power tool use and care

- a) **Do not force the power tool. Use the correct power tool for your application.** The correct power tool will do the job better and safer at the rate for which it was designed.
- b) **Do not use the power tool if the switch does not turn it on and off.** Any power tool that cannot be controlled with the switch is dangerous and must be repaired.
- c) **Disconnect the plug from the power source and/or the battery pack from the power tool before making any adjustments, changing accessories, or storing power tools.** Such preventive safety measures reduce the risk of starting the power tool accidentally.
- d) **Store idle power tools out of the reach of children and do not allow persons unfamiliar with the power tool or these instructions to operate the power tool.** Power tools are dangerous in the hands of untrained users.
- e) **Maintain power tools. Check for misalignment or binding of moving parts, breakage of parts and any other condition that may affect the power tool's operation. If damaged, have the power tool repaired before use.** Many accidents are caused by poorly maintained power tools.
- f) **Keep cutting tools sharp and clean.** Properly maintained cutting tools with sharp cutting edges are less likely to bind and are easier to control.
- g) **Use the power tool, accessories and tool bits etc. in accordance with these instructions, taking into account the working conditions and the work to be performed.** Use of the power tool for operations different from those intended could result in a hazardous situation.

5) Battery tool use and care

- a) **Recharge only with the charger specified by the manufacturer.** A charger that is suitable for one type of battery pack may create a risk of fire when used with another battery pack.
- b) **Use power tools only with specifically designated battery packs.** Use of any other battery packs may create a risk of injury and fire.
- c) **When battery pack is not in use, keep it away from other metal objects, like paper clips, coins, keys, nails, screws or other small metal objects, that can make a connection from one terminal to another.** Shorting the battery terminals together may cause burns or a fire.
- d) **Under abusive conditions, liquid may be ejected from the battery; avoid contact.**



Safety Information

Important - Please read these instructions fully before starting assembly

General Power Tool Safety Warnings

If contact accidentally occurs, flush with water. If liquid contacts eyes, additionally seek medical help. Liquid ejected from the battery may cause irritation or burns.

6) Service

Have your power tool serviced by a qualified repair person using only identical replacement parts. This will ensure that the safety of the power tool is maintained.

Screw Driver Safety Warning

1. **Hold power tool by insulated gripping surfaces, when performing an operation where the fastener may contact hidden wiring. Fasteners contacting a "live" wire may make exposed metal parts of the power tool "live" and could give the operator an electric shock.**

Safety Warnings For Battery Cells Inside The Tool

- a) **Do not dismantle, open or shred cells.**
- b) **Do not short-circuit charging terminal. Do not store power tool haphazardly in a box or drawer where charging terminal may short-circuit each other or be short-circuited by conductive materials.** When power tool is not in use, keep it away from other metal objects, like paper clips, coins, keys, nails, screws or other small metal objects, that can make a connection from one charging terminal to another.
- c) **Do not expose power tool to heat or fire. Avoid storage in direct sunlight.**
- d) **Do not subject power tool to mechanical shock.**
- e) **In the event of battery leaking, do not allow the liquid to come into contact with the skin or eyes. If contact has been made, wash the affected area with copious amounts of water and seek medical advice.**
- f) **Seek medical advice immediately if a cell has been swallowed.**
- g) **Keep power tool clean and dry.**
- h) **Wipe the charging terminals with a clean dry cloth if they become dirty.**
- i) **Power tool needs to be charged before use. Always refer to this instruction and use the correct charging procedure.**
- j) **Do not maintain power tool on charge when not in use.**
- k) **After extended periods of storage, it may be necessary to charge and discharge the power tool several times to obtain maximum performance.**
- l) **Battery gives its best performance when it is operated at normal room temperature (20 °C ± 5 °C).**
- m) **When disposing of cells, keep cells of different electrochemical systems separate from each other.**
- n) **Recharge only with the charger specified by GUIDE. Do not use any charger other than that specifically provided for use with the equipment.** A charger that is suitable for one type of battery may create a risk of fire when used with another battery.
- o) **Keep power tool out of the reach of children.**
- p) **Retain the original product literature for future reference.**
- q) **Dispose of properly.**



Safety Information

Important - Please read these instructions fully before starting assembly

General Safety Warnings



WARNING Read all safety warnings and all instructions. Failure to follow the warnings and instructions may result in electric shock, fire and/or serious injury.

Save all warnings and instructions for future reference.

This appliance can be used by children aged from 8 years and above and persons with reduced physical, sensory or mental capabilities or lack of experience and knowledge if they have been given supervision or instruction concerning use of the appliance in a safe way and understand the hazards involved. Children shall not play with the appliance. Cleaning and user maintenance shall not be made by children without supervision. If the supply cord is damaged, it must be replaced by the manufacturer, its service agent or similarly qualified persons in order to avoid a hazard.

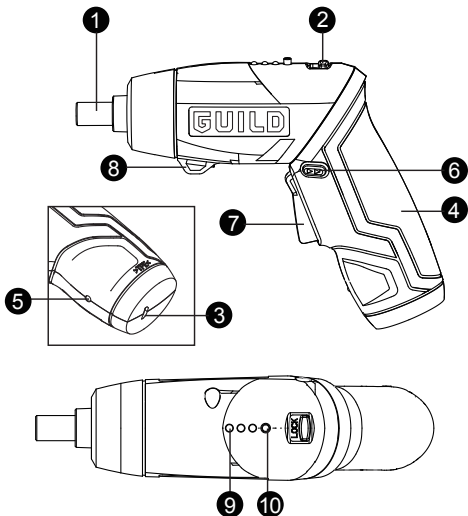
Additional Safety Instructions For Your Battery Charger

1. Before charging, read the instructions.
2. After charging, disconnect the battery charger from the supply mains. Then remove the chassis connection and then the battery connection.
3. Do not charge a leaking battery.
4. Do not use chargers for functions other than those for which they are designed.
5. Before charging, ensure your charger is matching the local AC supply.
6. For indoor use, or do not expose to rain.
7. The charging device must be protected from moisture.
8. Do not use the charging device in the open.
9. Do not short out the contacts of battery or charger.
10. Respect the polarity "+/-" when charging.
11. Do not open the unit and keep out of the reach of children.
12. Do not charge the batteries of other manufactures or ill-suited models.
13. Ensure that the connection between the battery charger and battery is correctly positioned and is not obstructed by foreign bodies.
14. Keep battery charger's slots are free of foreign objects and protect against dirt and humidity. Store in a dry and frost-free place.
15. When charging batteries, ensure that the battery charger is in a well-ventilated area and away from inflammable materials. Batteries can get hot during charging. Do not overcharge any batteries. Ensure that batteries and chargers are not left unsupervised during charging.
16. Do not recharge non-rechargeable batteries, as they can overheat and break.
17. Longer life and better performance can be obtained if the battery pack is charged when the air temperature is between 18°C and 24°C. Do not charge the battery pack in air temperatures below 4.5°C, or above 40.5°C. This is important as it can prevent serious damage to the battery pack.
18. Charge only battery pack of the same model provided by GUIDE and of models recommended by GUIDE.

In The Box

Parts

- | | |
|---------------------------------|---|
| 1 Chuck | 6 Forward/Reverse Switch |
| 2 Adjustable Handle Lock Switch | 7 On / Off Switch |
| 3 Charging Socket | 8 Sight Light |
| 4 Soft Handle | 9 Battery Capacity Indicator (red/yellow/green) |
| 5 Charging Indicator | 10 Battery Capacity Indicator button |



Accessories

60min charger
50mm screwdriver bit

1pc
1pc

Operating Instructions



NOTE: Before using the tool, read the instruction book carefully.

Intended Use

This tool is intended for driving in and loosening screws.

BEFORE PUTTING INTO OPERATION

1. CHARGING THE BATTERY(SEE FIG A)

NOTE:

- a) Do not use any charger other than that specifically provided for use with the equipment.
- b) If the battery pack is very hot you must remove your battery pack from the charger and allow time for the battery to cool down before recharging.
- c) The battery in your new tool is not charged when it leaves the plant. Therefore it must be full charged before using the first time.
- d) Please charge the battery to reach full or no less than half charge before storage. If the tool will not be used for long periods of time, charge the battery every 3-6 months.

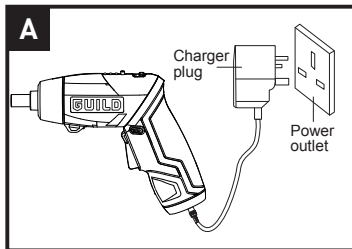
Plug the charger plug into a suitable power outlet. Next, connect the DC plug to the Charging Socket(3). When charging is completed, unplug the charging, disconnect the Charger from the screwdriver. The screwdriver is ready to be used

IMPORTANT: When charging, the charger and screwdriver may become warm to the touch, this is normal and does not indicate a problem.

WARNING: When battery charge runs out after continuous use or exposure to direct sunlight or heat, allow time for the tool to cool down before re-charging to achieve the full charge.

CHARGING INDICATOR

Light	Status
red on	Charging
green on	Fully Charged



Operating Instructions

OPERATION

1. FITTING AND REMOVING BITS (SEE FIG B)

Insert the bit into the bit holder and push the bit into the chuck as far as possible. To remove the bit, simply pull it out of the bit holder.

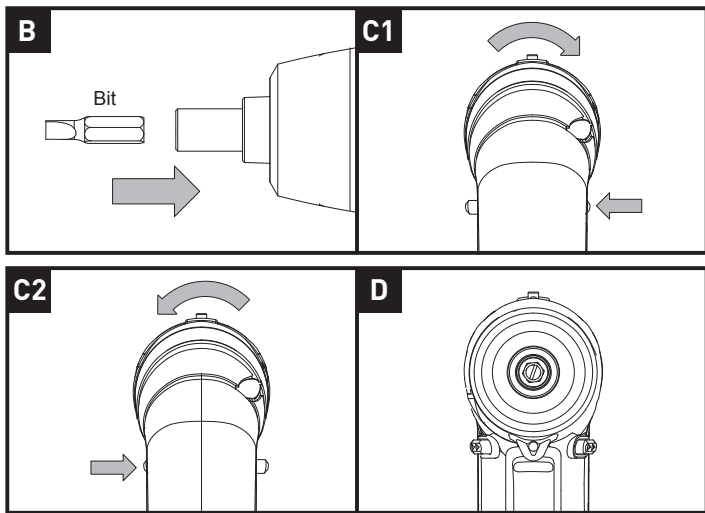
2. FORWARD/REVERSE SWITCH (SEE FIG C1 C2)

For screw driving use forward rotation marked "◀◀" (lever is moved to the left). Only use reverse rotation marked "▶▶" (lever is moved to the right) to remove screws or release a jammed drill bit.

⚠ WARNING: Never change the direction of rotation when the chuck is rotating. Wait until it has stopped.

3. SWITCH LOCK (SEE FIG D)

The On/Off switch trigger can be locked in OFF position. This helps to reduce the possibility of accidental starting when not in use. To lock the switch, place the forward and reverse rotation selector in the center position.



Operating Instructions

4. ON / OFF SWITCH

Depress the On/Off switch to start and release it to stop your screwdriver.

5. ADJUSTABLE HANDLE

This tool can use as straight grip or pistol grip. (SEE FIG E, F)

Push Adjustable Handle Lock Switch (2) onward, Adjustable the Handle (4) to your favourite position, Adjust Handle Lock Switch will recover itself, and then you can use the tool.

6. USING THE SIGHTLIGHT

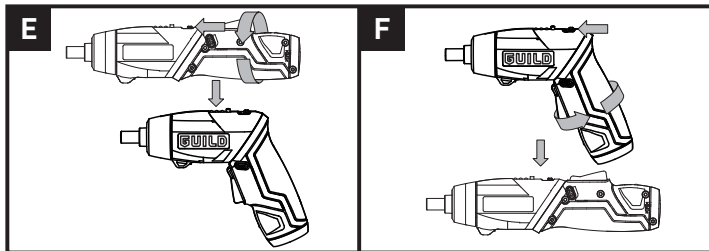
To turn on the light simply press the on/off switch. When you release the on/off switch, the light will be off.

7. BATTERY CAPACITY INDICATOR

Press the battery capacity indicator button to show the battery capacity.

When the battery capacity indicator lights up red the battery has less than 30% of its capacity and should be charged.

Full power	Green + Yellow+ Red
Full power but will require charging shortly	Yellow + Red
Needs charging	Red




Maintenance

Your power tool requires no additional lubrication or maintenance. There are no user serviceable parts in your power tool. Never use water or chemical cleaners to clean your power tool. Wipe clean with a dry cloth. Always store your power tool in a dry place. Keep the motor ventilation slots clean. Keep all working controls free of dust. Occasionally you may see sparks through the ventilation slots. This is normal and will not damage your power tool.

Technical Data

Technical Data Table

Charger voltage	100-240V ~ 50/60Hz
Battery voltage	3.6V 
Battery capacity	1.3Ah Li-ion (4.68Wh)
Charging time	60min
No load speed	180/min
Max torque	4N.m
Machine weight	0.35kg

Noise Information

A weighted sound pressure
A weighted sound power

Wear ear protection

L_{pA} : 70.1dB(A)
 L_{WA} : 81.1dB(A)
 K_{pA} & K_{WA} = 3.0dB(A)



Vibration Information


Vibration total values (triax vector sum) determined according to EN 60745:

Typical weighted vibration	Vibration emission value: $a_h = 1.7\text{m/s}^2$
	Uncertainty $K = 1.5\text{m/s}^2$

Technical Data

Vibration Information

The declared vibration total value may be used for comparing one tool with another, and may also be used in a preliminary assessment of exposure.

 **WARNING:** The vibration emission value during actual use of the power tool can differ from the declared value depending on the ways in which the tool is used dependant on the following examples and other variations on how the tool is used:

How the tool is used and the materials being cut or drilled.


The tool being in good condition and well maintained

The use the correct accessory for the tool and ensuring it is sharp and in good condition.

The tightness of the grip on the handles and if any anti vibration accessories are used.

And the tool is being used as intended by its design and these instructions.

This tool may cause hand-arm vibration syndrome if its use is not adequately managed.

 **WARNING:** To be accurate, an estimation of exposure level in the actual conditions of use should also take account of all parts of the operating cycle such as the times when the tool is switched off and when it is running idle but not actually doing the job. This may significantly reduce the exposure level over the total working period.

Helping to minimise your vibration exposure risk.

ALWAYS use sharp chisels, drills and blades

Maintain this tool in accordance with these instructions and keep well lubricated (where appropriate)

If the tool is to be used regularly then invest in anti vibration accessories.

Avoid using tools in temperatures of 10°C or less

Plan your work schedule to spread any high vibration tool use across a number of days.

Environmental Protection



Waste electrical products must not be disposed of with household waste. Please recycle where facilities exist. Check with your local authorities or retailer for recycling advice.

Guarantee

This product is selected for DOMESTIC USE ONLY and not for business use.

This product is guaranteed against manufacturing defects for a period of 24 months. This does not cover the product where the fault is due to misuse, abuse, use in contravention of the instructions, or where the product has been the subject of unauthorised modifications or alterations, or has been the subject of commercial use. In the event of a problem with the product within the guarantee period please return it to your nearest store. If the item is shown to have an inherent defect present at the time of sale, the store will provide you with a replacement. Your statutory rights remain unaffected.

Issue1 08/2015

