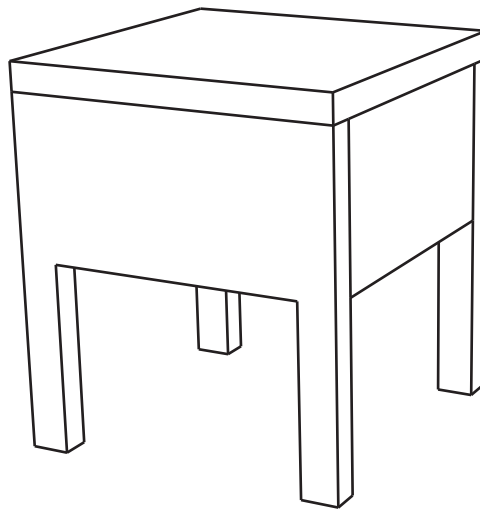


# WOW Corner Dining Set - Stool

Assembly Instructions - Please keep for future reference

619/4116



## Dimensions

Width - 35 cm

Depth - 35cm

Height -35cm



### **Important:**

Do not fully tighten all screws until assembly is complete.

**Important** Please read these instructions fully before starting assembly

If you need help or have damaged or missing parts, call the Customer Helpline: 0345 640 0800

For further assistance please visit <http://www.argos.support.co.uk/>

Retailer: Argos

Address: 489-499 Avebury Boulevard Saxon Gate West, Central Milton Keynes Bucks, MK9, 2NW



# Safety and Care Advice

**Important - Please read these instructions fully before starting assembly**

- Check you have all the components and tools listed on pages 2.

- Remove all fittings from the plastic bags and separate them into their groups.

- Keep children and animals away from the work area, small parts could choke if swallowed.

- Make sure you have enough space to layout the parts before starting.

- Do not stand or put weight on the product during assembly, this could cause damage.

- Assemble the item as close to its final position (in the same room) as possible.

- Assemble on a soft level surface to avoid damaging the chair or your floor

- Parts of the assembly will be easier with 2 people.



- We do not recommend the use of power drill/drivers for inserting screws, as this could damage the unit. Only use hand screwdrivers.

- Dispose of all packaging carefully and responsibly.

- Maximum safe seated weight: 110kgs.

## Care and maintenance

- Only clean using a damp cloth and mild detergent, do not use bleach or abrasive cleaners.

- Make sure each studs matches the corresponding figure to ensure correct assembly.

- From time to time check that there are no loose nuts on this chair.

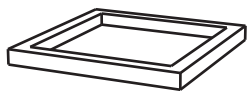
- Assemble all parts and nuts loosely during assembly, only once the product is complete should you fully tighten the nuts.

- This product should not be discarded with household waste. Take to your local authority waste disposal centre.

# Components-Parts

If you have damaged or missing components, call the Customer Helpline: 0345 640 0800  
For further assistance please visit <http://www.argos.support.co.uk/>

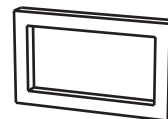
Please check you have all the parts listed below



1 Seat x 1



2 Leg x 2



3 Side panel x 2



4 Seat Cushion x 1

# Components-Fittings

Please check you have all the fittings listed below

**Note:** The quantities below are the correct amount to complete the assembly. In some cases more fittings may be supplied than are required.

A



Screw x 12 M6x30

B



Washer x 12 M6

## Tools required



1 x Allen key

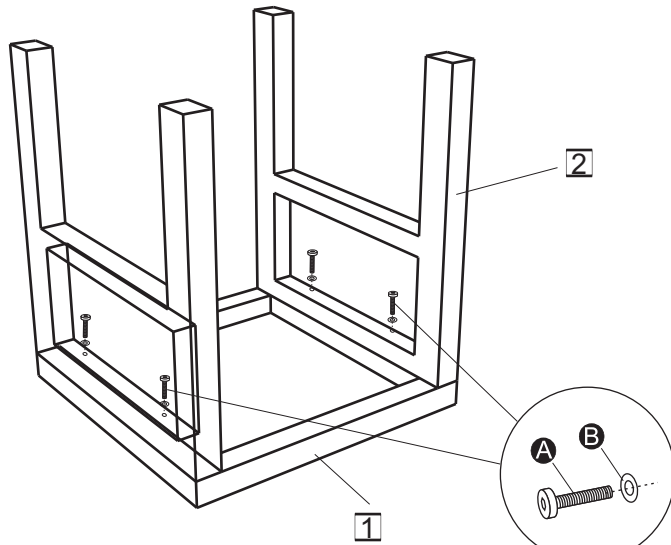
Ruler - Use this ruler to help correctly identify the screws

# Assembly Instructions

## Step 1

### Fit legs to the seat

Use screw **A**, washer **B** to fix the legs **2** to the seat **1**.

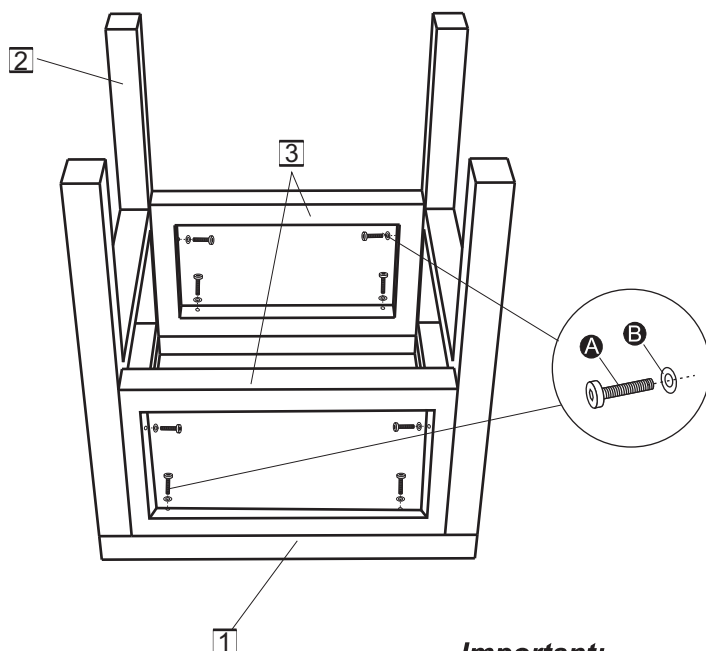


**Important:**  
Do not fully tighten screws at this stage.

## Step 2

### Fit high armrest to the seat

Use screw **A**, washer **B** to fix side panel **3** to the seat **1**.



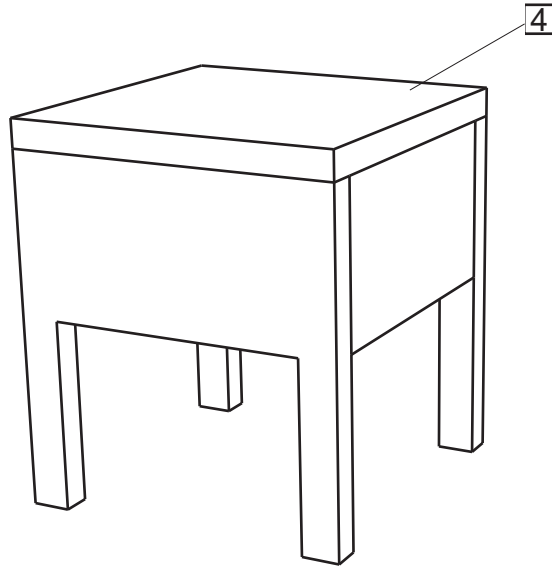
**Important:**  
Do not fully tighten screws at this stage.

# Assembly Instructions

## Step 3

### Tighten all the screws

Tighten all the screws then turn the stool to its upright position and put seat cushion **4** on the stool.



**Assembly is complete**

If you need help or have damaged or missing parts, call the Customer Helpline: 0345 640 0800

For further assistance please visit <http://www.argos.support.co.uk/>

Retailer: Argos

Address: 489-499 Avebury Boulevard Saxon Gate West, Central Milton Keynes Bucks, MK9, 2NW