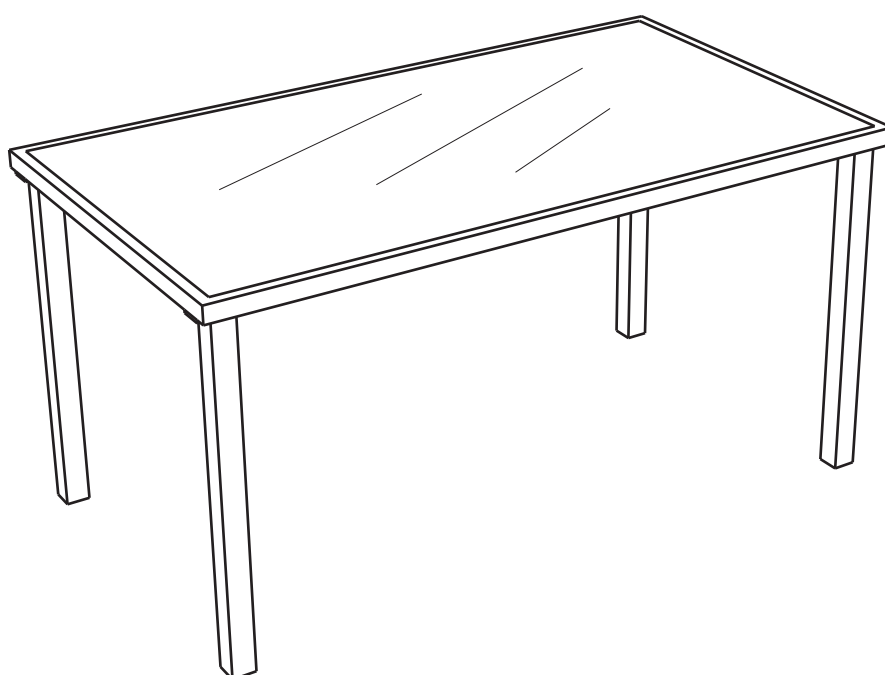


WOW Corner Dining Set - Table

Assembly Instructions - Please keep for future reference

619/4116



Dimensions

Length - 125cm

Width - 70cm

Height - 65cm



Important:
Do not fully
tighten all screws
until assembly is
complete.

Important Please read these instructions fully before starting assembly

If you need help or have damaged or missing parts, call the Customer Helpline: 0345 640 0800

For further assistance please visit <http://www.argos.support.co.uk/>

Retailer: Argos

Address: 489-499 Avebury Boulevard Saxon Gate West, Central Milton Keynes Bucks, MK9, 2NW

Issue 2: 05/ 09/15



Safety and Care Advice

Important Please read these instructions fully before starting assembly

This product is manufactured from toughened safety glass. In the unlikely event that the glass fails it will break in to a large number of small fragments that may be spread over a wide area. This is a feature of toughened glass, designed to remove the risk of injury from glass breaking into large shards.

If the glass is chipped or broken, stop using the product and consult the manufacture or supplier.

Check you have all the

components and tools listed on page 2.

Remove all fittings from the plastic bags and separate them into their groups.

Keep children and animals away from the work area, small parts could choke if swallowed.

Make sure you have enough space to layout the parts before starting.

Do not stand or put weight on the parts during assembly, this could cause damage.

Assemble on a soft level surface to avoid damaging the unit or your floor.

Dispose of all packing carefully and responsibly.

Do not sit or stand on this table.

Do not place very hot or very cold items on the glass.

Warning: The unit weights approximately 19 kgs.

Please lift with care.

Care and maintenance

Wash glass with mild soap and water, rinse thoroughly, and dry glass completely.

When moving the table, remove the umbrella. Do not drag.

We recommend the use

of furniture covers when not in use.

Do not use the glass as chopping surface. Do not strike the glass with hard or pointed items.

In order to prolong the life and beauty of your

table, we recommend it be stored in a dry and protected area during off season periods.

Do not use washing powders or any abrasive substances which may scratch the surface. 1

Components-Parts

If you have damaged or missing components, call the Customer Helpline: 0345 640 0800
For further assistance please visit <http://www.argos.support.co.uk/>

Please check you have all the parts listed below



1 Table Top x 1



2 Leg x 4



3 Glass x 1

Components-Fittings

Please check you have all the fittings listed below

Note: The quantities below are the correct amount to complete the assembly. In some cases more fittings may be supplied than are required.



Screw x 16 M6x15



Washer x 16 M6

Tools required



1 x Allen key

Ruler - Use this ruler to help correctly identify the screws

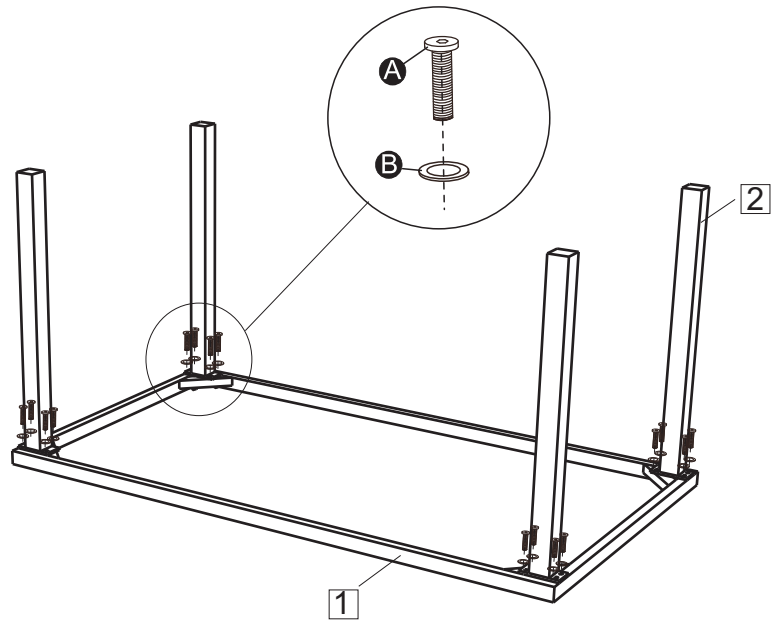


Assembly Instructions

Step 1

Fit legs to the table top

Use screw **A**, washer **B** to fix the legs to the table top **1**.

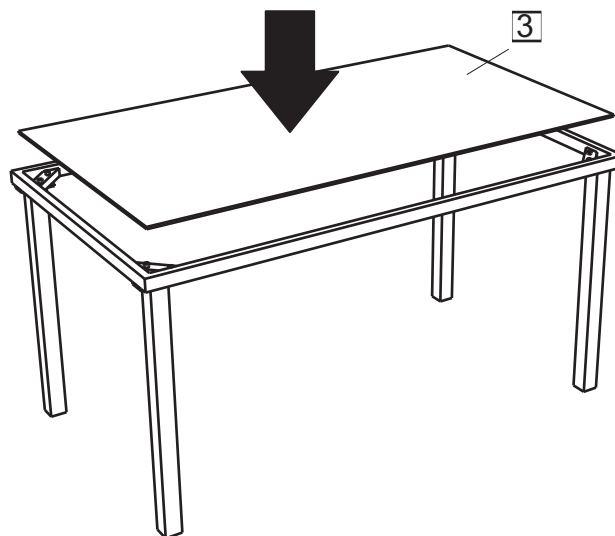


Important:
Do not fully tighten nuts at this stage.

Step 2

Tighten all the screws Fit glass to the table

Tighten all the screws, turn up the table and put the glass **1** on the table top.

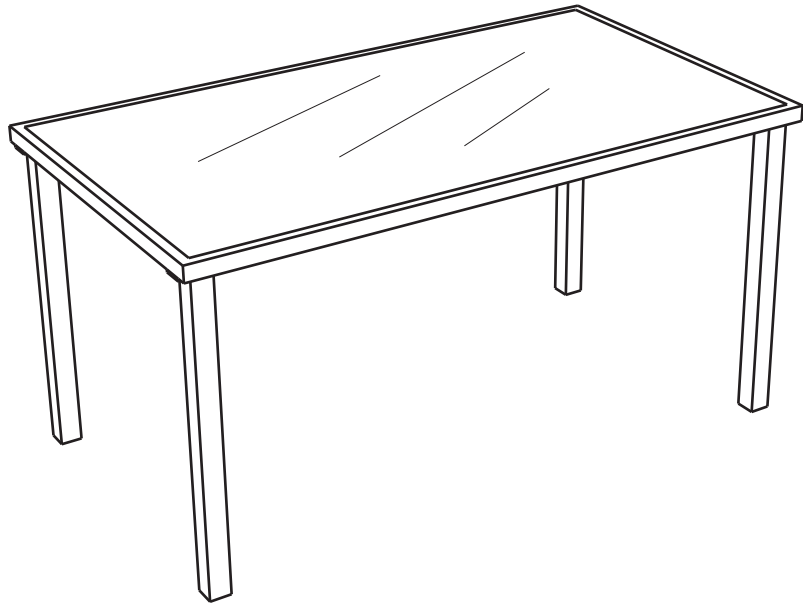


Important:
After all the parts are positioned, you can now fully tighten all nuts fixed on previous steps.

Assembly Instructions

Step 3

Carefully place the table in the desired location.



Assembly is complete

- During assembly do not lay the glass directly onto hard or rough surfaces. We recommend laying the glass on a blanket or cardboard during assembly. You could even use the box.
- When lifting or moving the product, ask for someone to lend a hand, trying to move a product on your own can lead to accidents.

If you need help or have damaged or missing parts, call the Customer Helpline: 0345 640 0800
For further assistance please visit <http://www.argos.support.co.uk/>
Retailer: Argos
Address: 489-499 Avebury Boulevard Saxon Gate West, Central Milton Keynes Bucks, MK9, 2NW

Glass Guidelines

During assembly do not lay the glass directly onto hard or rough surfaces. We recommend laying the glass on a blanket or cardboard during assembly. You could even use the box.

When lifting or moving the product, ask for someone to lend a hand, trying to move a product on your own can lead to accidents.

Do not use furniture if any parts are missing or broken. Contact your retailer immediately.

Do not place very hot or very cold items, such as saucepans or barbecues, directly on the glass surface. Extreme temperature differences over small areas can damage glass.

Do not sit or stand upon the glass surface.

Do not strike the glass with hard or pointed items, or use the glass as a chopping surface.

Do not drag rough or heavy objects over the top of the glass.

We recommend using place mats, coasters and table cloths to help protect against scratches and accidentally dropped items.

Clean the glass regularly to make sure there are no grit on the top.

Do not clean glass with washing powders or any other substances containing abrasives, since these substances can scratch glass.

For tables that can be used outdoors, if your table has a parasol, make sure the edge of the parasol cut-out has a protector in place. In addition always use a weighted parasol base, and remove the parasol in windy conditions. Parasols can put pressure on the table top or even blow the table over in windy weather.

For tables that can be used outdoors it is advised that the table is kept covered when not in use to protect the glass from the weather and accidental damage.